



US00D454449S

(12) **United States Design Patent**  
**Hautog**

(10) **Patent No.:** **US D454,449 S**

(45) **Date of Patent:** **\*\* Mar. 19, 2002**

(54) **OFFICE TABLE**

(75) **Inventor:** **Frank Hautog**, Dannenberg (DE)

(73) **Assignee:** **Comforttable - Computer AG**,  
Hitzacker (DE)

(\*\*) **Term:** **14 Years**

(21) **Appl. No.:** **29/132,855**

(22) **Filed:** **Nov. 15, 2000**

(30) **Foreign Application Priority Data**

May 15, 2000 (DE) ..... 4 00 04 730

(51) **LOC (7) Cl.** ..... **06-03**

(52) **U.S. Cl.** ..... **D6/480**

(58) **Field of Search** ..... D6/480-489, 495-499,  
D6/511, 429, 430, 426, 427, 422, 423;  
108/153.1, 156, 157.1, 161, 50.01, 50.02,  
33, 25, 34-35, 38, 40, 65, 67, 77; 312/208.1

(56) **References Cited**

**U.S. PATENT DOCUMENTS**

803,351 A \* 10/1905 Mason ..... 108/25

2,305,867 A \* 12/1942 Greitzer ..... 108/25

D166,667 S \* 5/1952 Grundy ..... D6/484

D175,790 S \* 10/1955 McCann ..... D6/487

3,049,387 A \* 8/1962 Schlegel ..... D6/484

**FOREIGN PATENT DOCUMENTS**

DE 400 04 730 8/2000

\* cited by examiner

*Primary Examiner*—Janice E. Seeger

(74) *Attorney, Agent, or Firm*—Christie, Parker & Hale,  
LLP

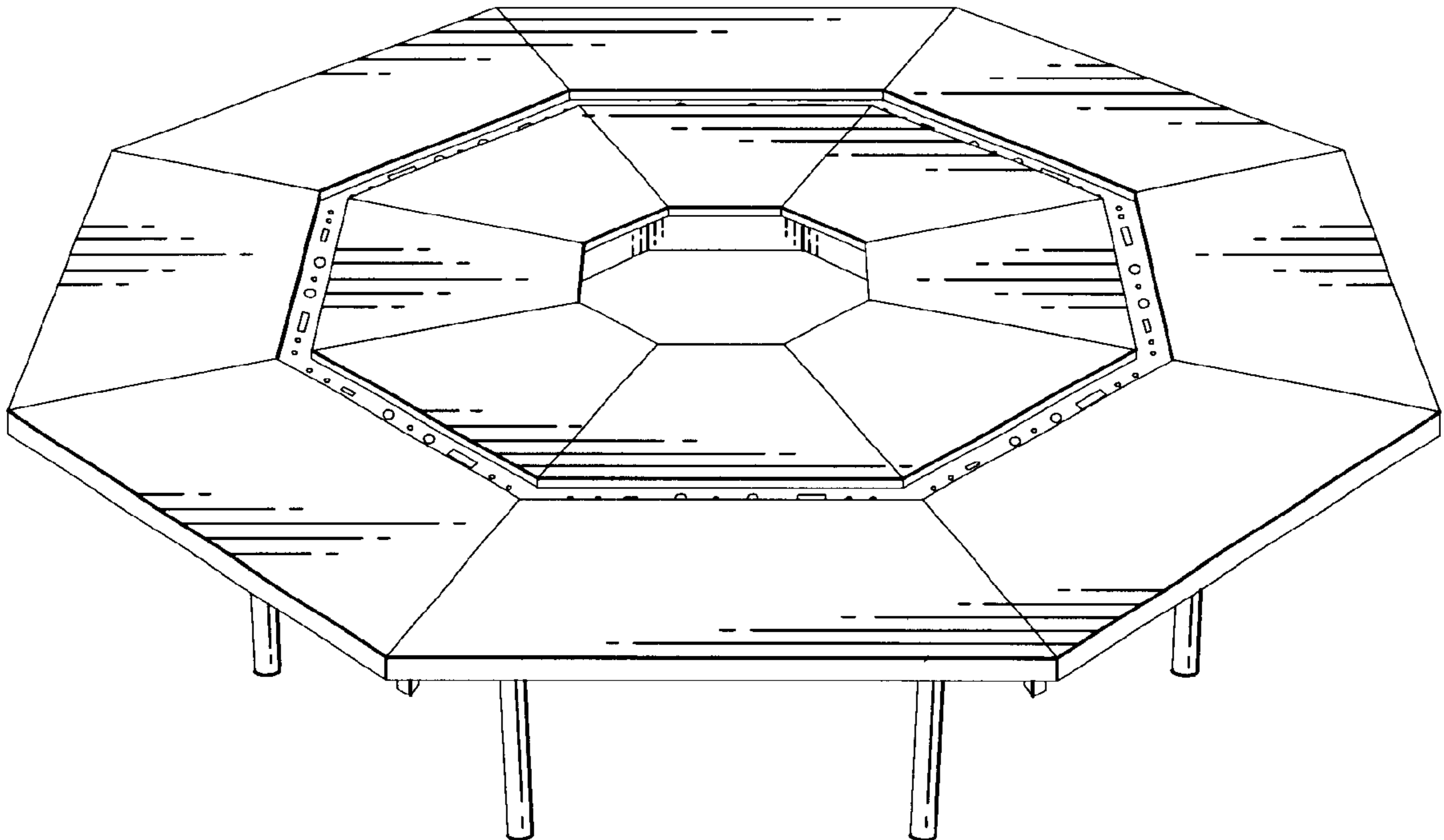
(57) **CLAIM**

The ornamental design for an office table, as shown and described.

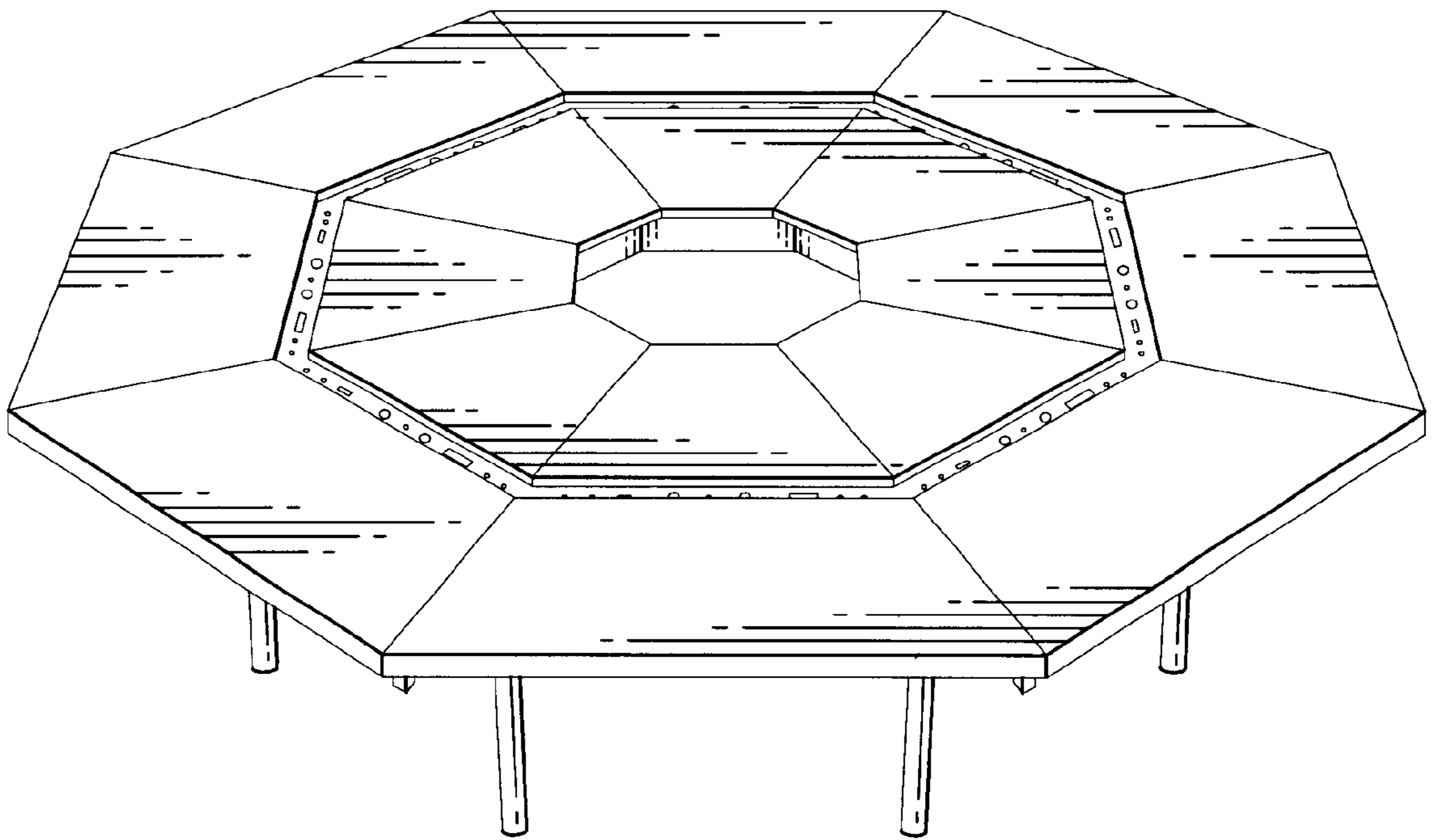
**DESCRIPTION**

FIG. 1 is a top perspective view of an office table of the new design, the top rear perspective view being identical; FIG. 2 is a top view thereof; FIG. 3 is a side view thereof; and, FIG. 4 is a bottom perspective view thereof.

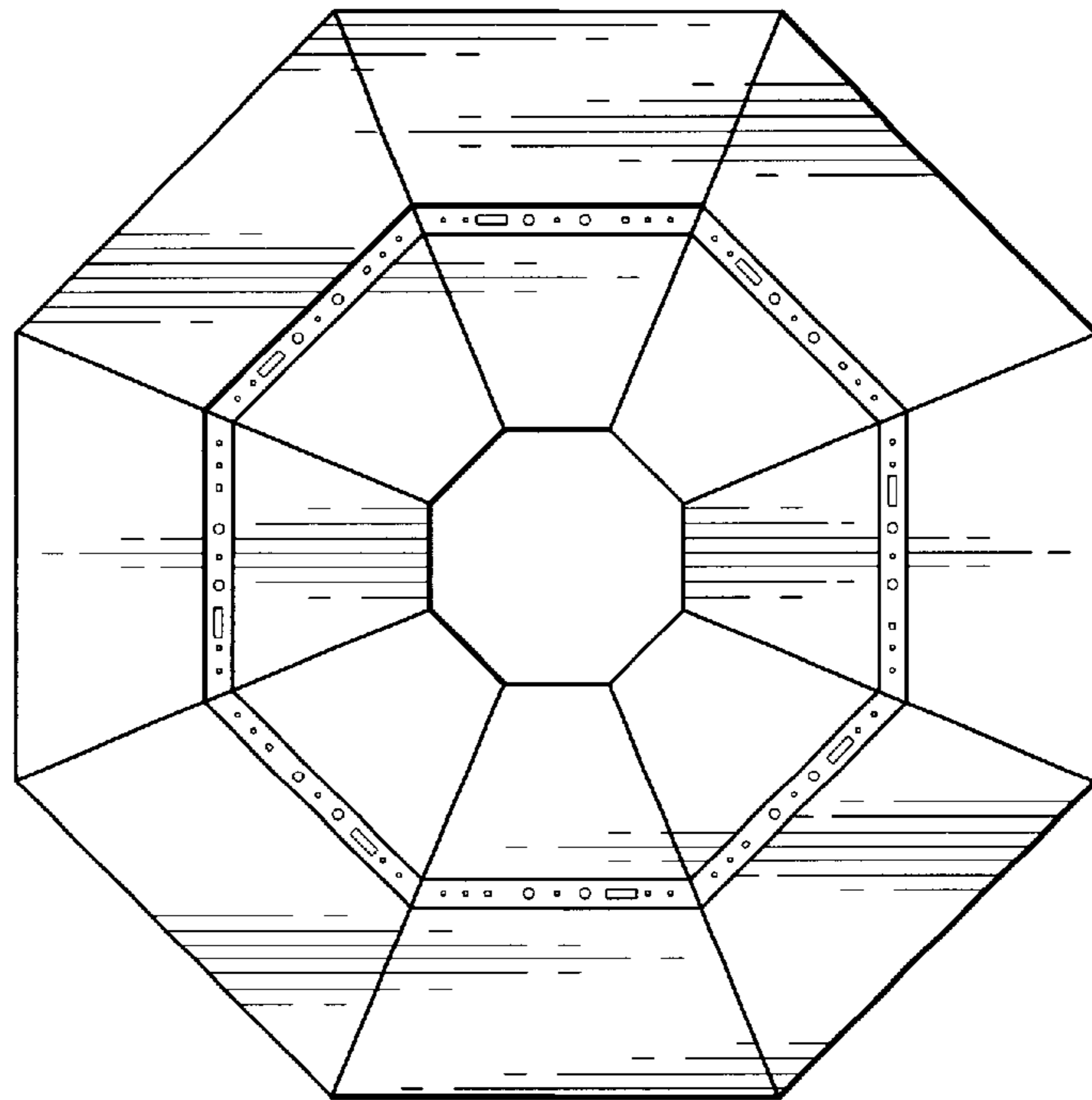
**1 Claim, 2 Drawing Sheets**



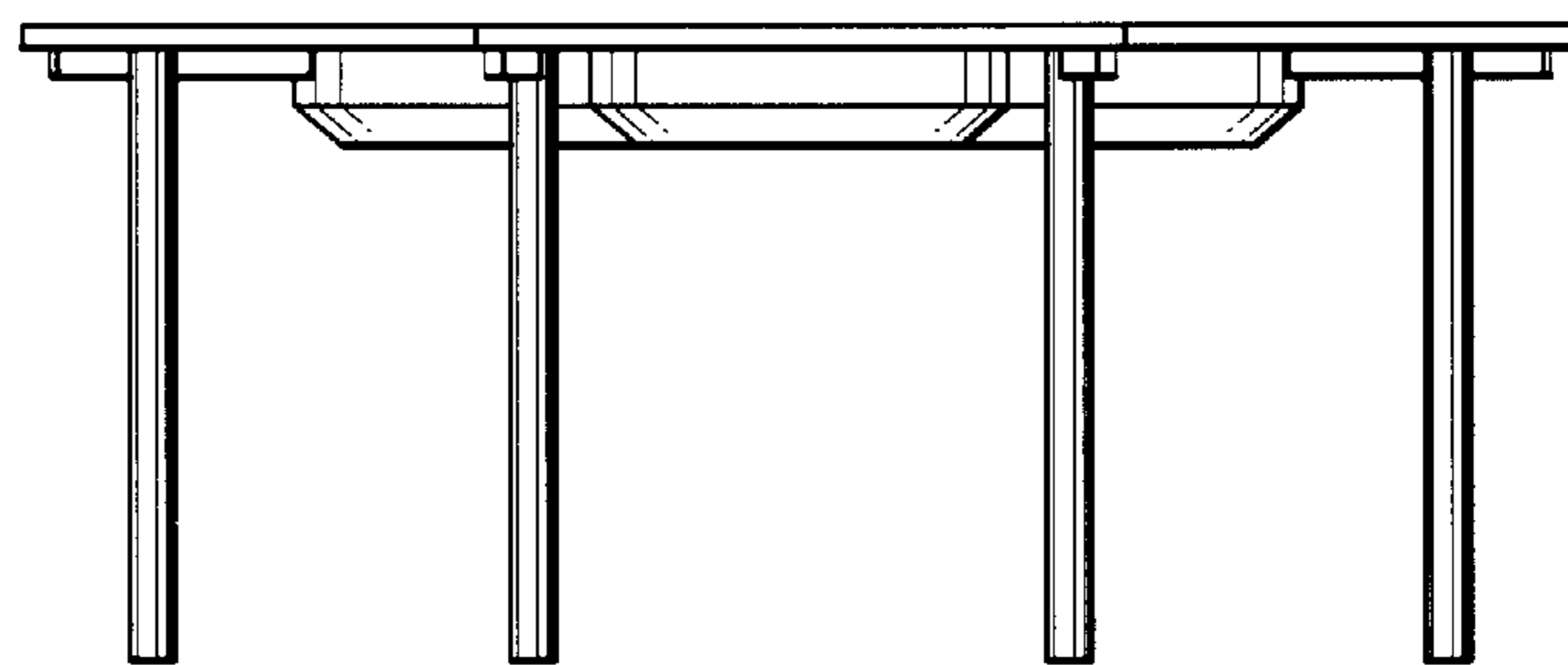
*FIG. 1*



*FIG. 2*



*FIG. 3*



*FIG. 4*

