



US00D454447S

(12) **United States Design Patent**
Lanham

(10) **Patent No.:** **US D454,447 S**

(45) **Date of Patent:** **** Mar. 19, 2002**

(54) **JEWELRY DISPLAY**

(74) *Attorney, Agent, or Firm*—Michael J. Striker

(75) Inventor: **Adria Lanham**, Williamsville, NY
(US)

(57) **CLAIM**

The ornamental design for a jewelry display, as shown and described.

(73) Assignee: **Bufkor, Inc.**, Clearwater, FL (US)

(**) Term: **14 Years**

DESCRIPTION

(21) Appl. No.: **29/141,917**

FIG. 1 is a top, front and side perspective view of a jewelry display showing my new design, which is also a mirror image of the opposite side thereof;

(22) Filed: **May 15, 2001**

FIG. 2 is a left side view thereof which is a mirror image of the opposite side view thereof;

(51) **LOC (7) Cl.** **06-04**

FIG. 3 is a top view thereof;

(52) **U.S. Cl.** **D6/449**

(58) **Field of Search** D6/396, 449, 466,
D6/467, 475, 476; D14/447; 108/150; 248/346.01;
206/6.1, 566; 312/351.2

FIG. 4 is a front view thereof which is a mirror image of the opposite side thereof;

(56) **References Cited**

FIG. 5 is a top front right side perspective view of a first alternative embodiment of my new design which is also a mirror image of the opposite side thereof;

U.S. PATENT DOCUMENTS

| | | | | | |
|-------------|---|---------|------------|-------|---------|
| D135,512 S | * | 4/1943 | Weissman | | D6/475 |
| D223,064 S | * | 3/1972 | Peterson | | D6/449 |
| D283,474 S | * | 4/1986 | Appel | | D6/511 |
| D332,711 S | * | 1/1993 | Olson | | D6/449 |
| 5,253,750 A | * | 10/1993 | Keffer | | 206/6.1 |
| D371,916 S | * | 7/1996 | Kacprowicz | | D6/396 |

FIG. 6 is a top front right side perspective view of a second alternative embodiment of my new design which is also a mirror image of the opposite side thereof; and,

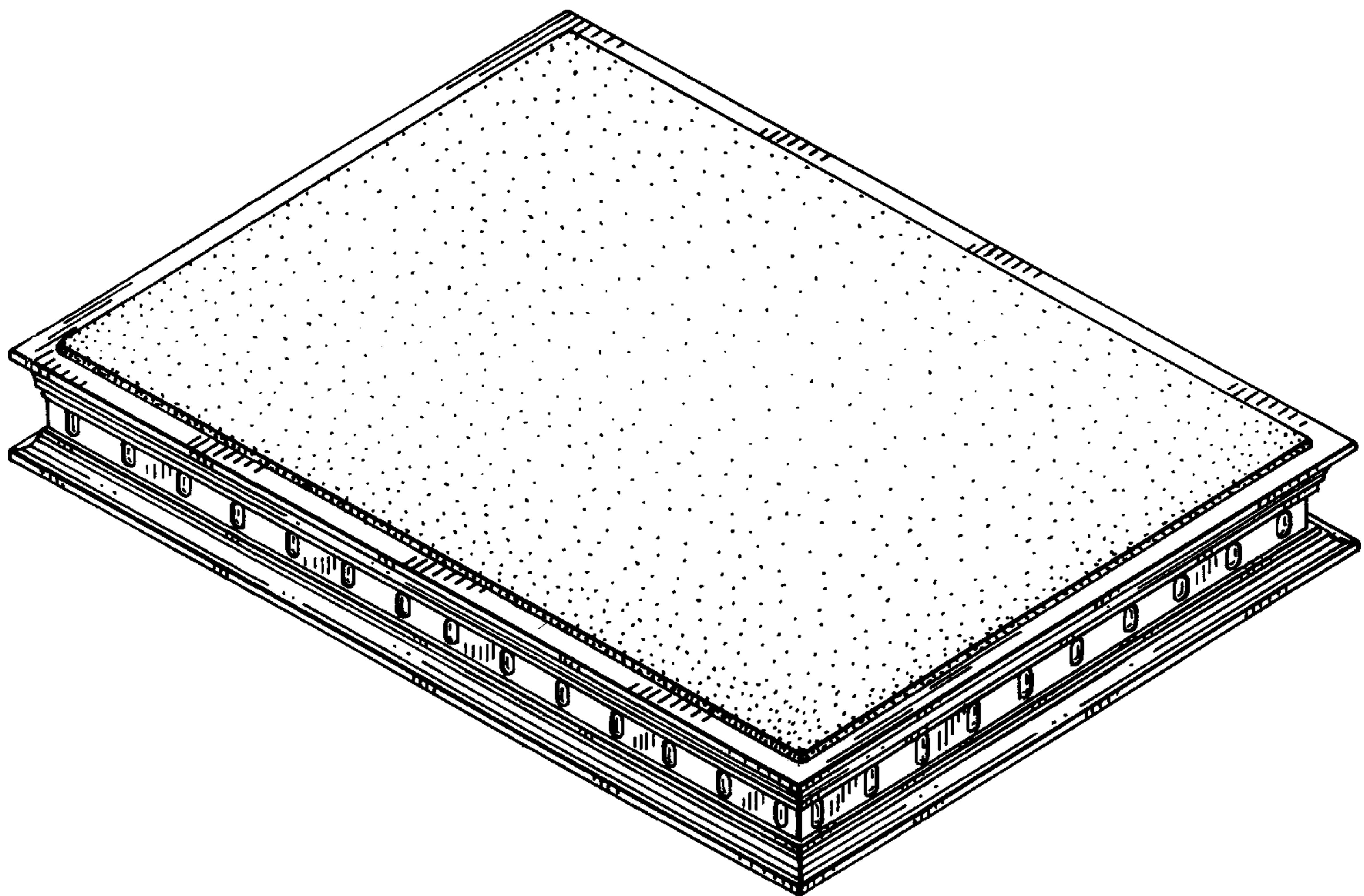
* cited by examiner

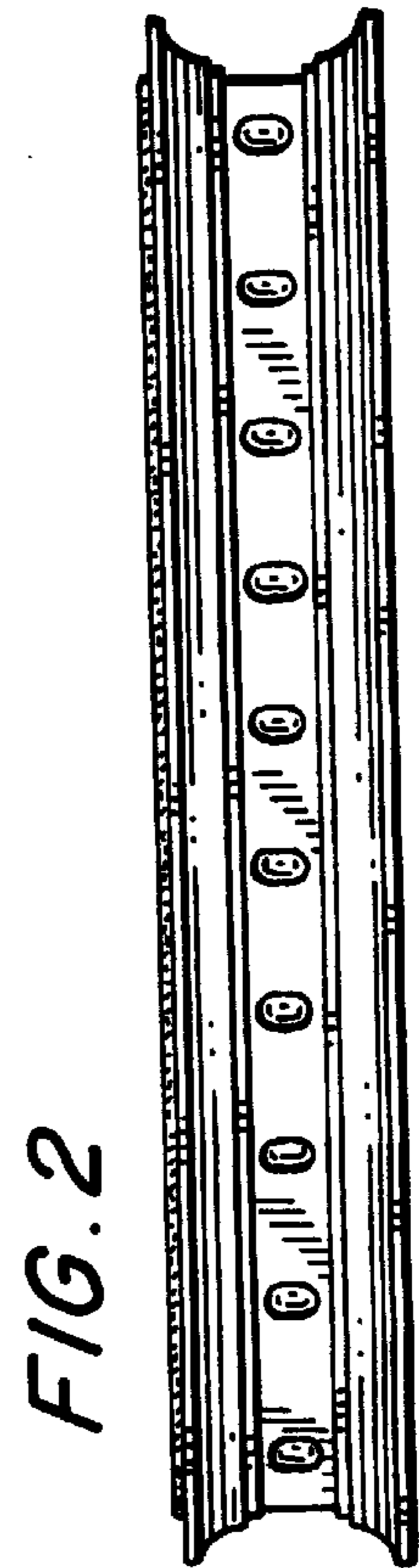
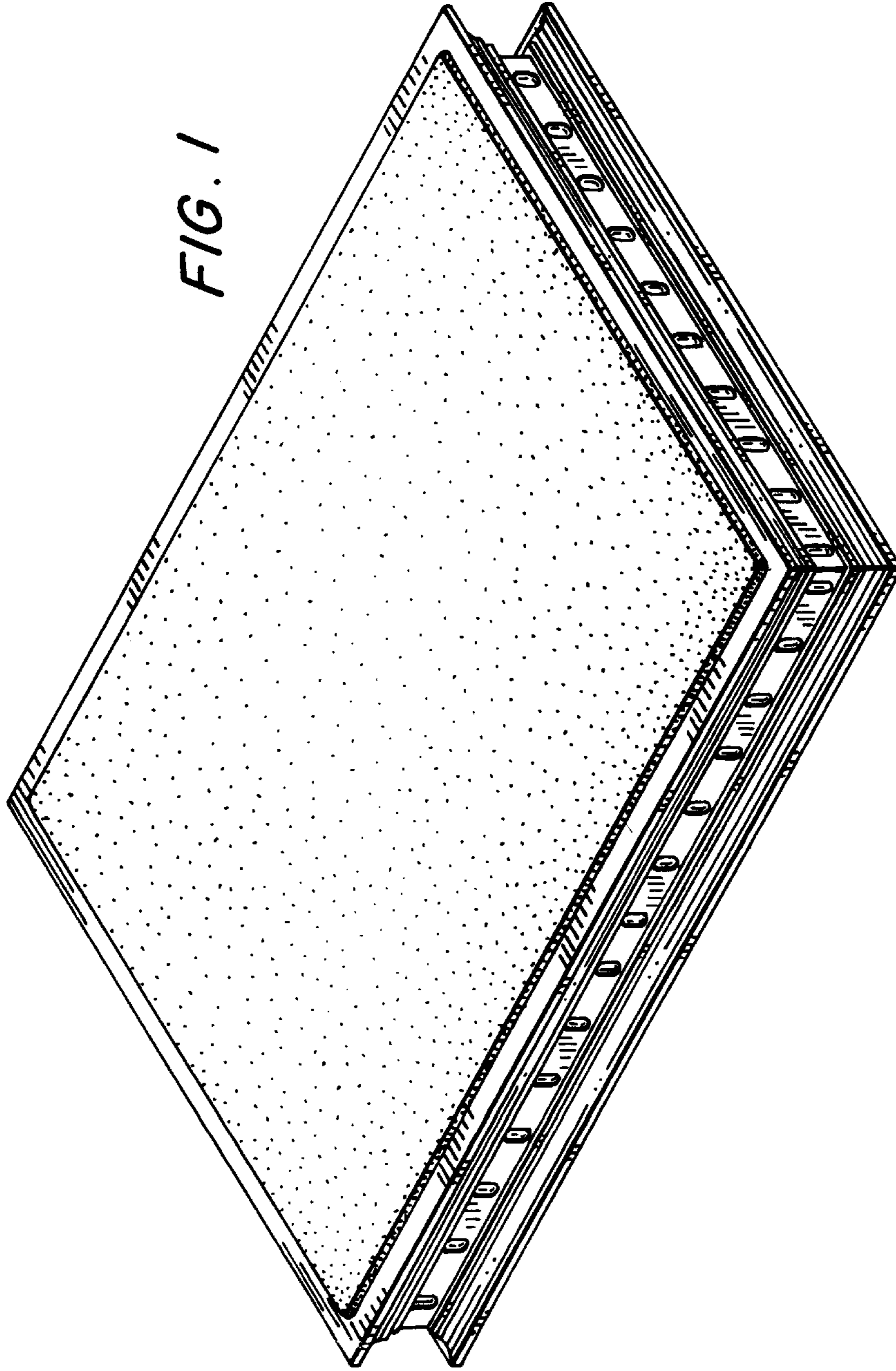
FIG. 7 is a top front right side perspective view of a third alternative embodiment of my new design which is also a mirror image of the opposite side thereof.

The side views of FIGS. 5–7 are identical to FIG. 4 except for the differences in the width.

Primary Examiner—Cathron C. Brooks

1 Claim, 4 Drawing Sheets





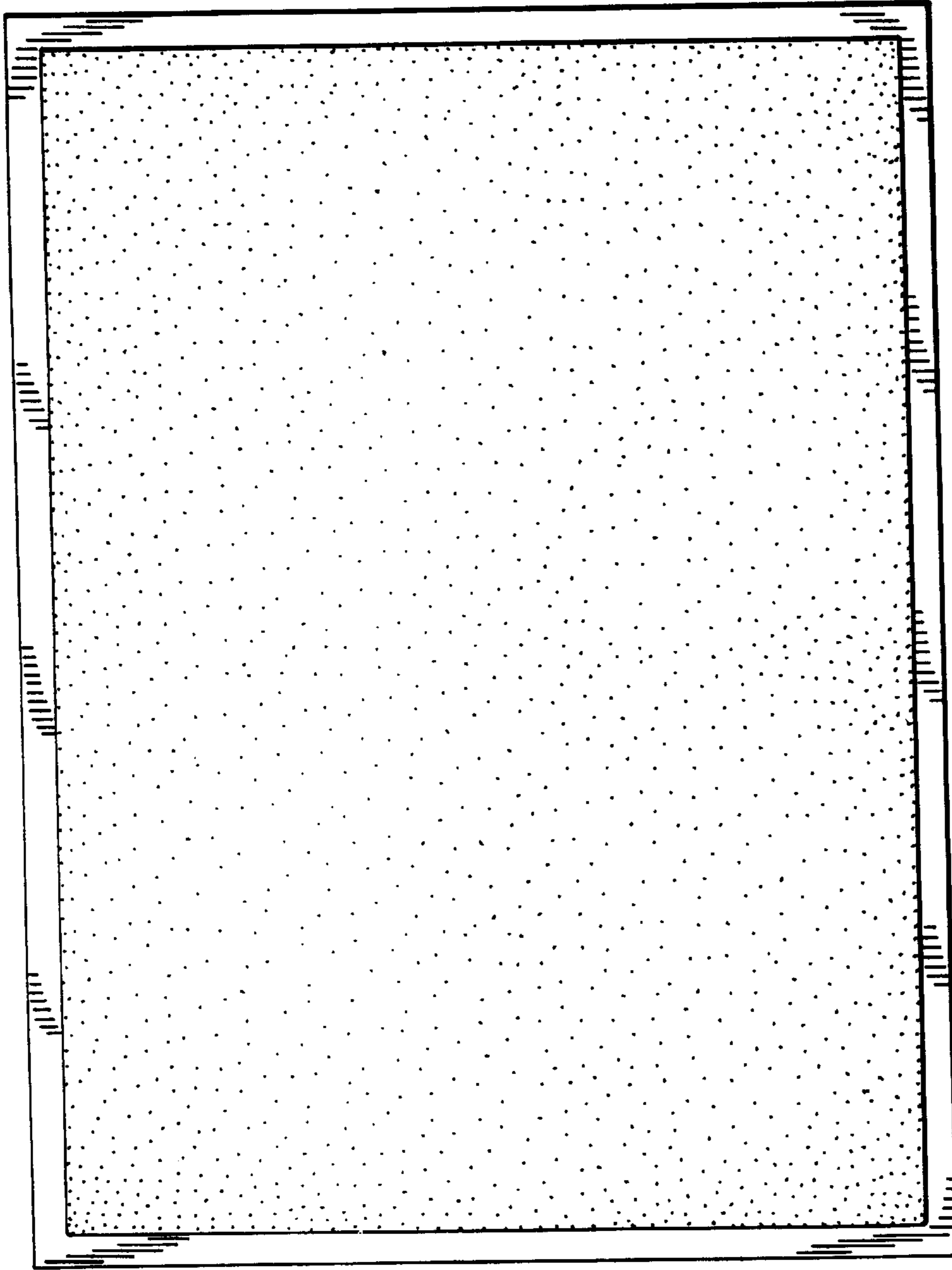


FIG. 3

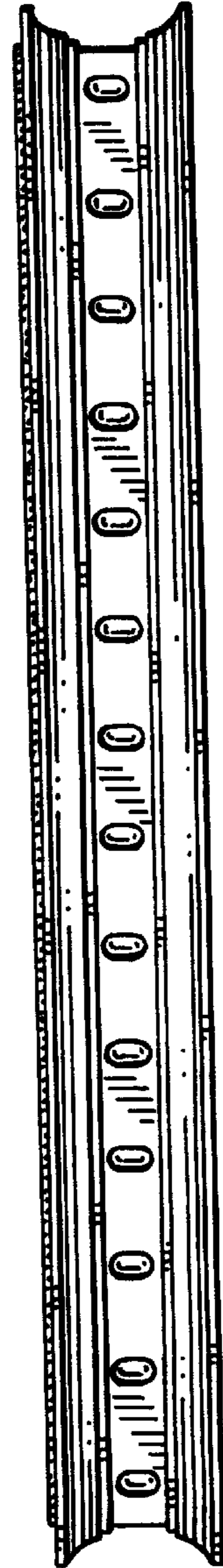


FIG. 4

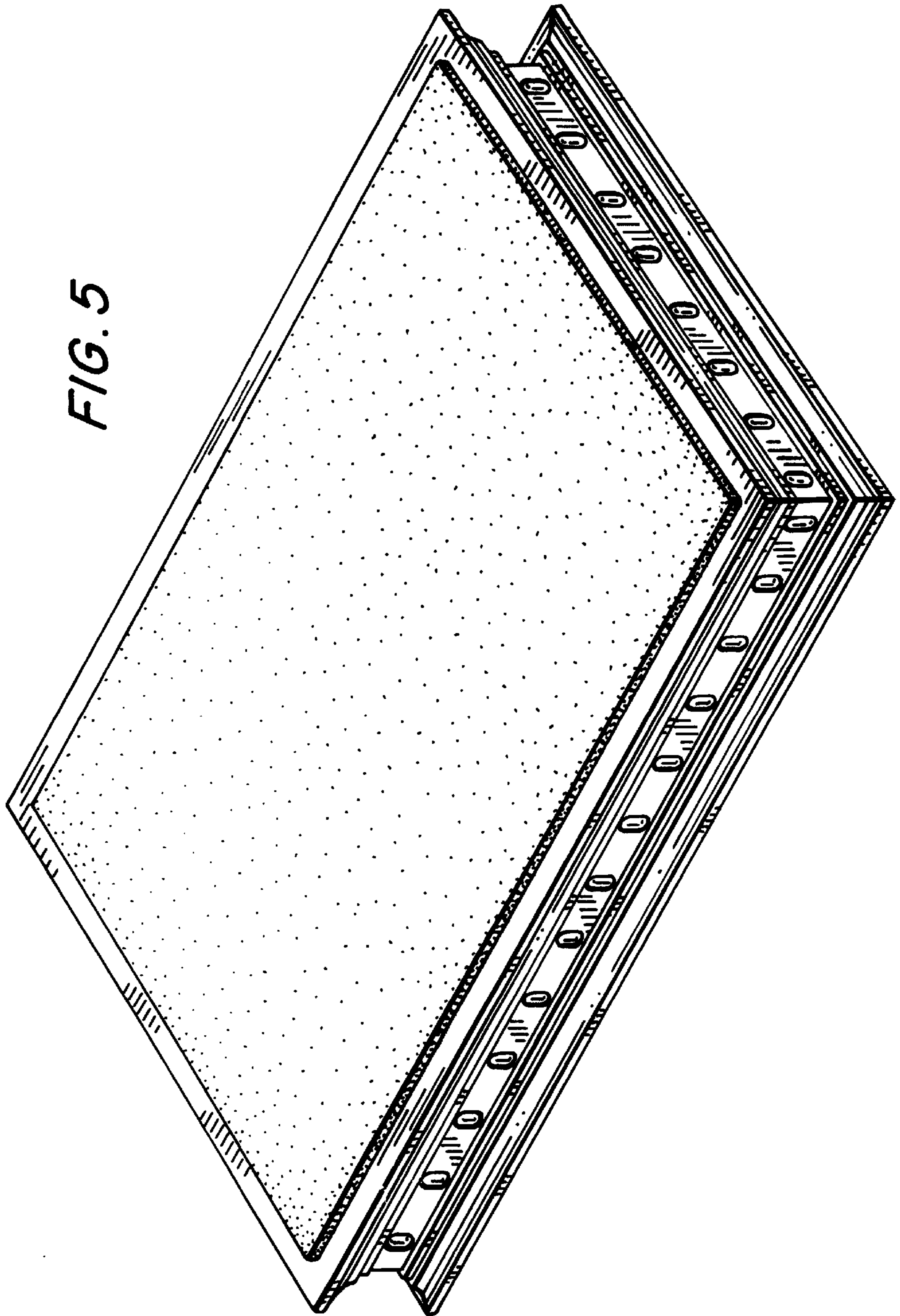


FIG. 5

