



US00D454444S

(12) **United States Design Patent**
Henry et al.

(10) **Patent No.:** **US D454,444 S**
(45) **Date of Patent:** **** Mar. 19, 2002**

(54) **DESK**

OTHER PUBLICATIONS

(75) Inventors: **Louis Henry; Bruce Ancona**, both of New York, NY (US); **David Rawet**, Glil-Yam (IL)

Scandline, Mar. 26, 1973, desk.*

* cited by examiner

(73) Assignee: **Gilha International**, Miami, FL (US)

Primary Examiner—Janice E. Seeger

(**) Term: **14 Years**

(74) *Attorney, Agent, or Firm*—SAIDMAN DesignLaw Group

(21) Appl. No.: **29/135,473**

(57) **CLAIM**

The ornamental design for a desk, as shown and described.

(22) Filed: **Jan. 12, 2001**

DESCRIPTION

(51) **LOC (7) Cl.** **06-04**

(52) **U.S. Cl.** **D6/426; D6/474; D6/477**

(58) **Field of Search** D6/422–428, 477, D6/484, 474; 312/194–196, 208.1; 108/50.01

FIG. 1 is a right perspective view of a first embodiment of a desk showing our new design;

FIG. 2 is a left perspective view thereof;

FIG. 3 is a front view thereof;

FIG. 4 is a rear view thereof;

FIG. 5 is a right side view thereof, the right side panel shown in this view being translucent;

FIG. 6 is a left side view thereof, the left side panel shown in this view being translucent;

FIG. 7 is a top view thereof; and,

FIG. 8 is a left perspective view of a second embodiment of our design which differs from the first embodiment only in that the handle portions of the second embodiment are shaded to indicate that the handle portions contrast with the other portions of the desk.

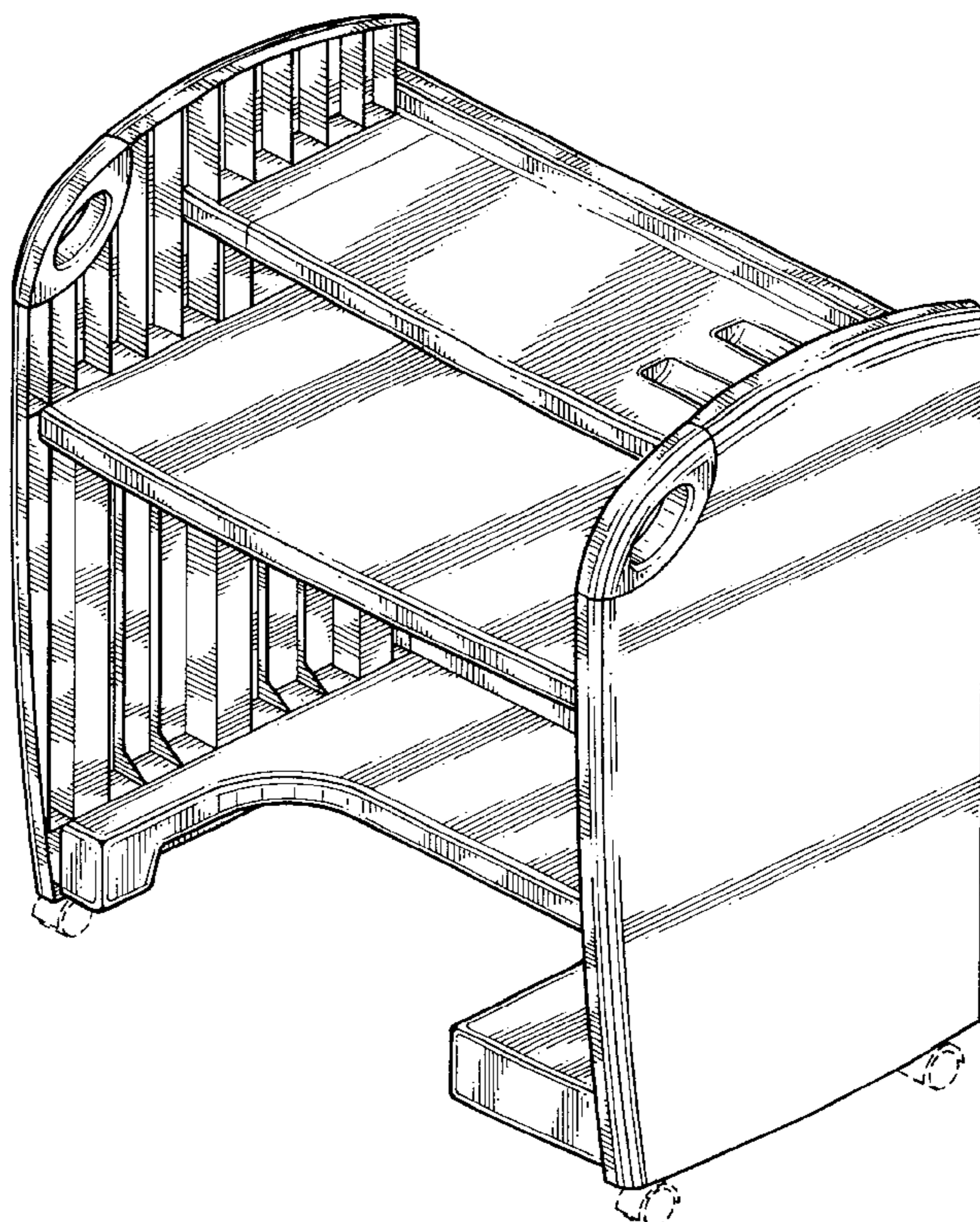
The broken lines shown in FIGS. 1–8 represent environmental subject matter and form no part of the claimed design.

(56) **References Cited**

U.S. PATENT DOCUMENTS

1,398,611 A	11/1921	Van Alstyn	
4,523,722 A	6/1985	Cohen et al.	
D287,319 S	12/1986	Ugalde	
4,640,199 A	2/1987	Zigman	
4,681,378 A	7/1987	Hellman, III	
D311,291 S	10/1990	Ugalde	
D330,301 S	10/1992	Ugalde	
D358,434 S	* 5/1995	Brown et al.	D6/421
D362,566 S	* 9/1995	Abraham et al.	D6/426
D385,429 S	10/1997	Biggel et al.	
5,803,562 A	9/1998	Jacobs et al.	
D425,727 S	5/2000	Ishikawa	
D427,458 S	* 7/2000	McColskey et al.	D6/477

1 Claim, 8 Drawing Sheets



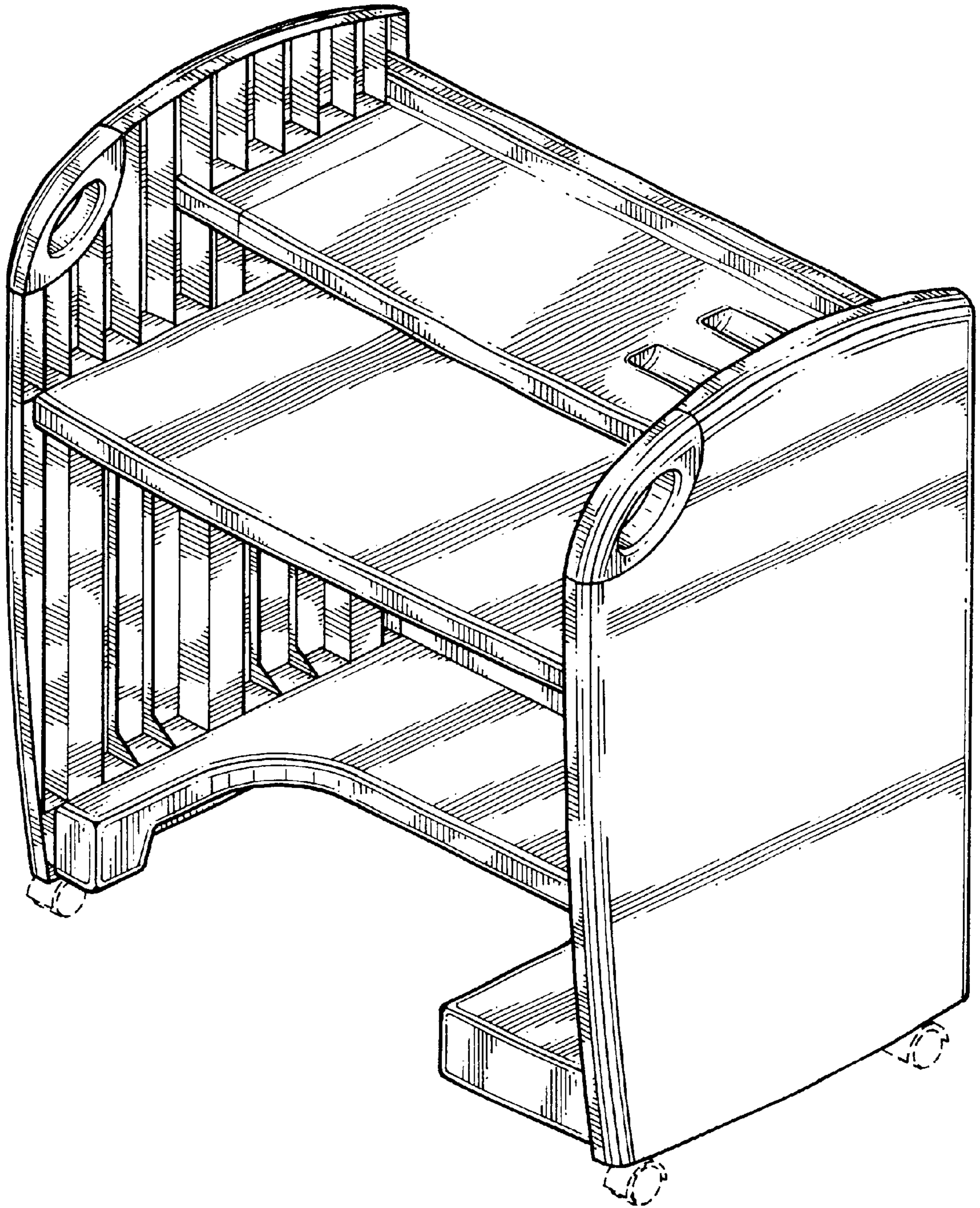


FIG.1

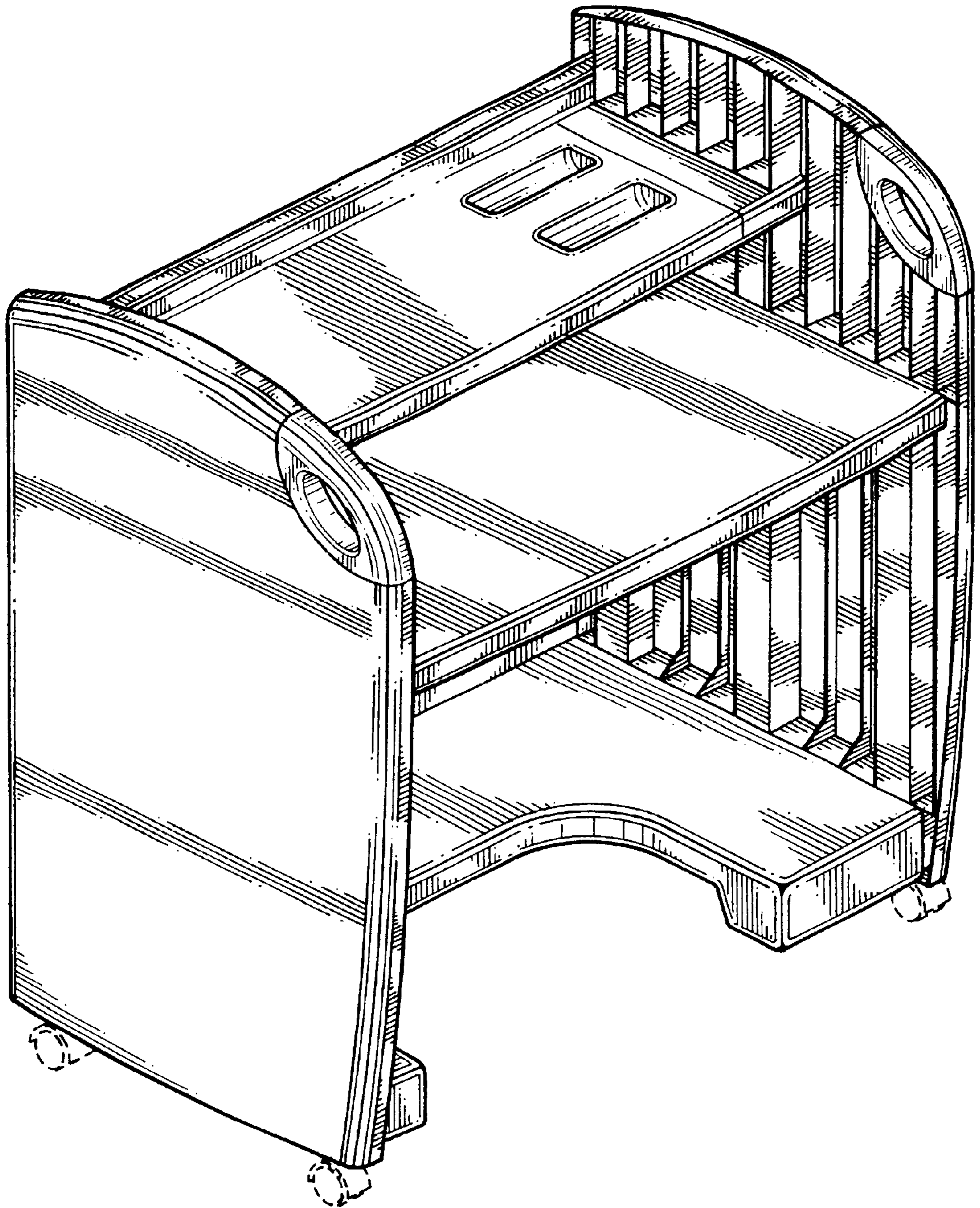


FIG.2

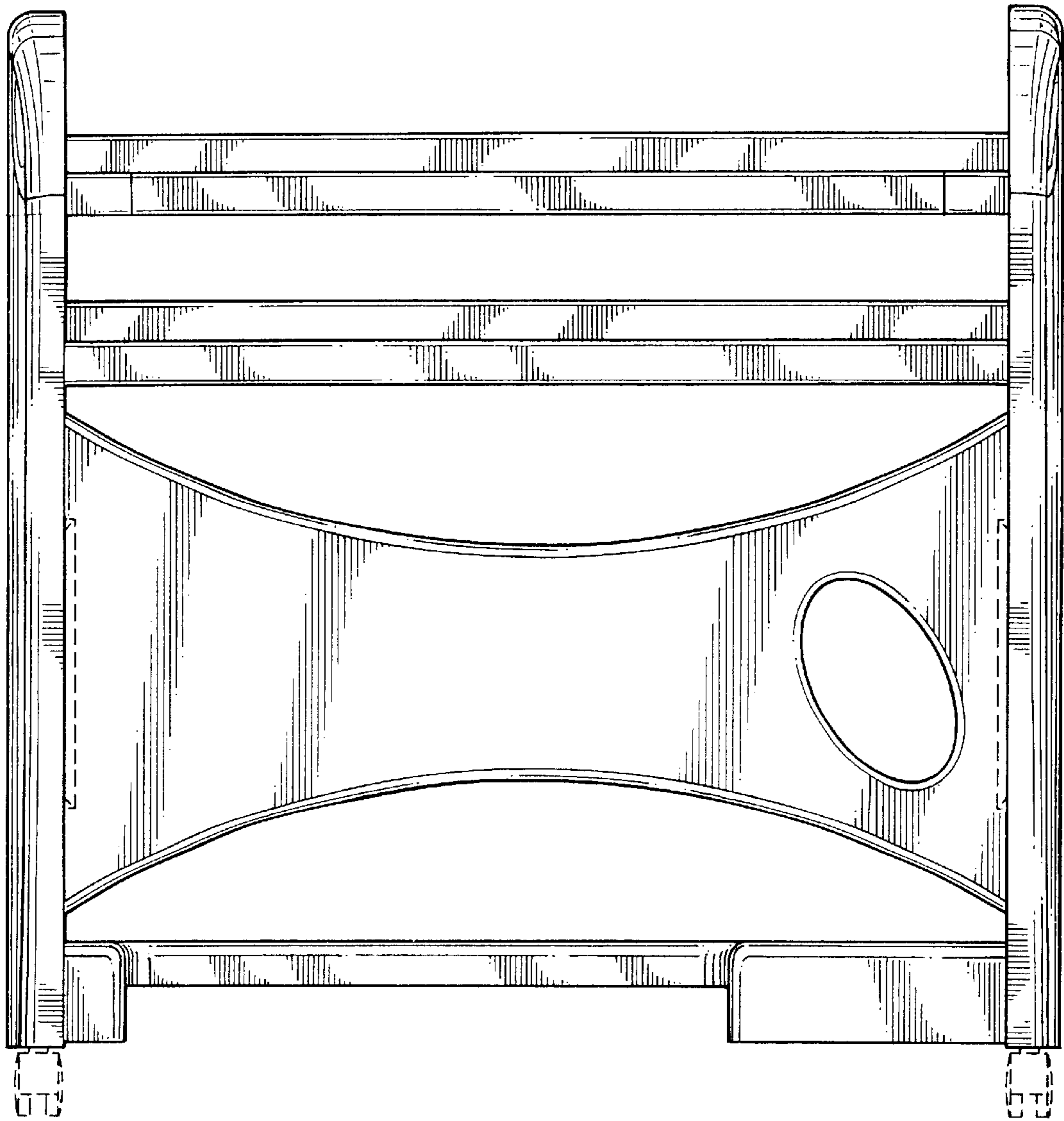


FIG.3

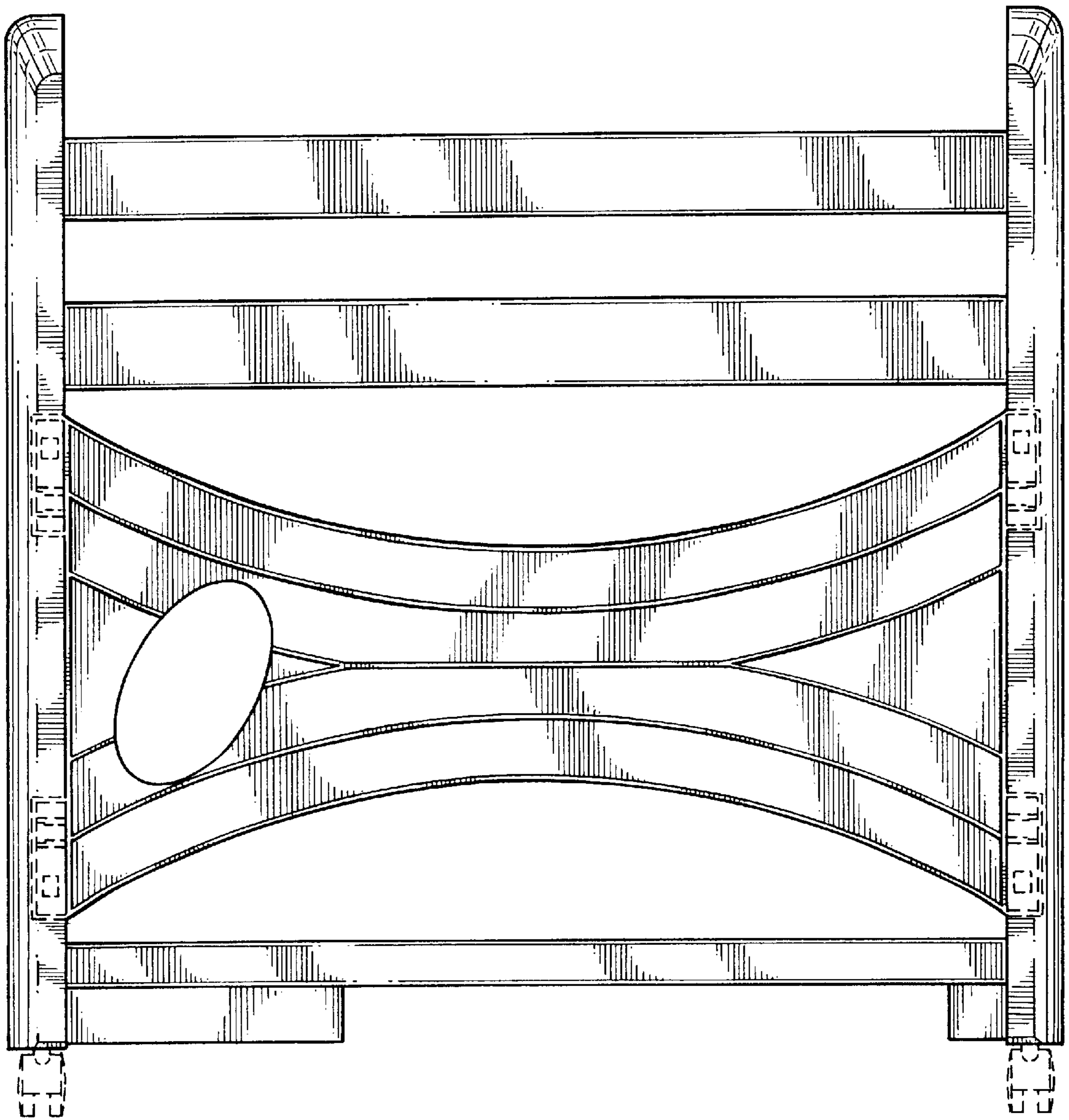


FIG.4

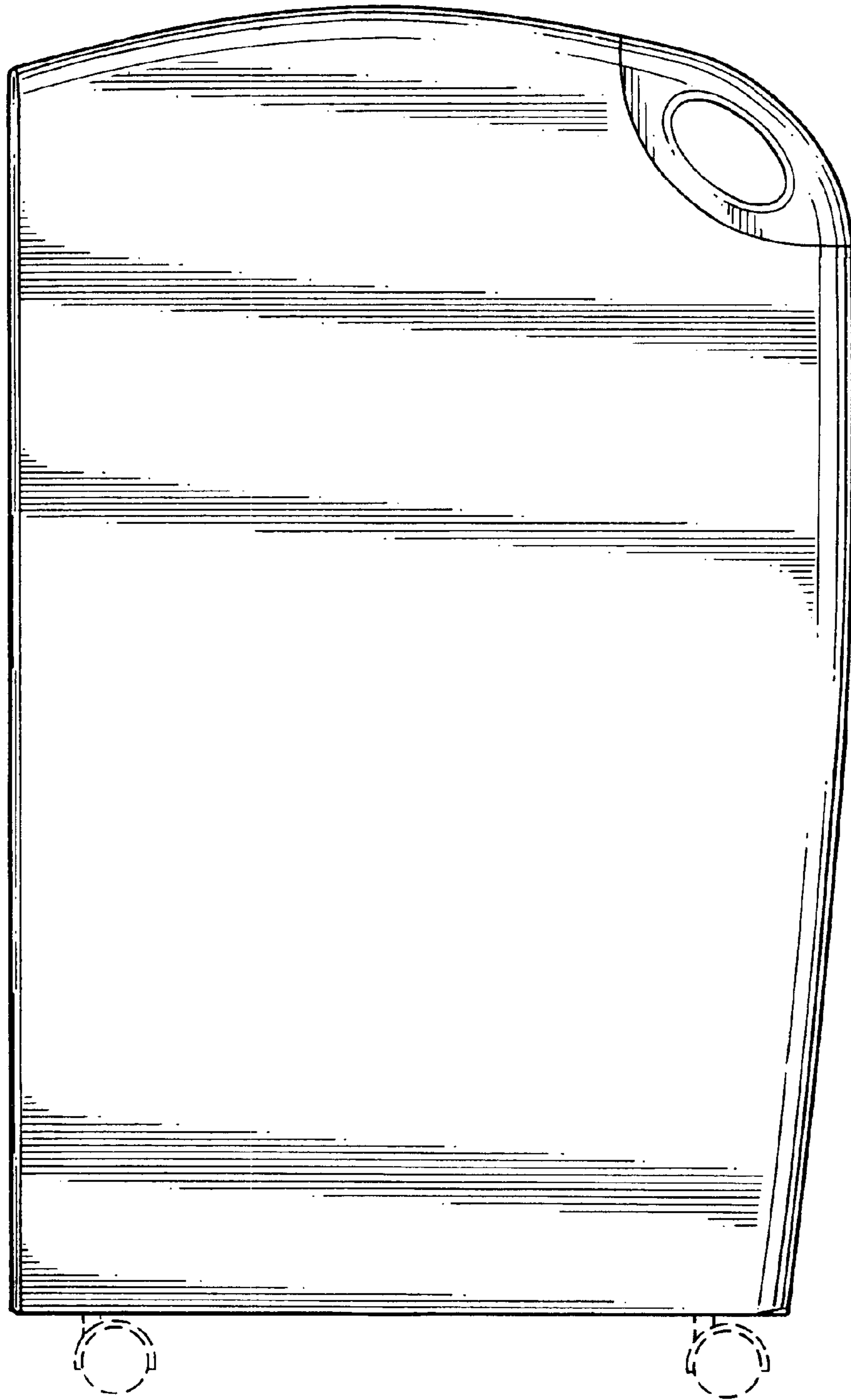


FIG.5

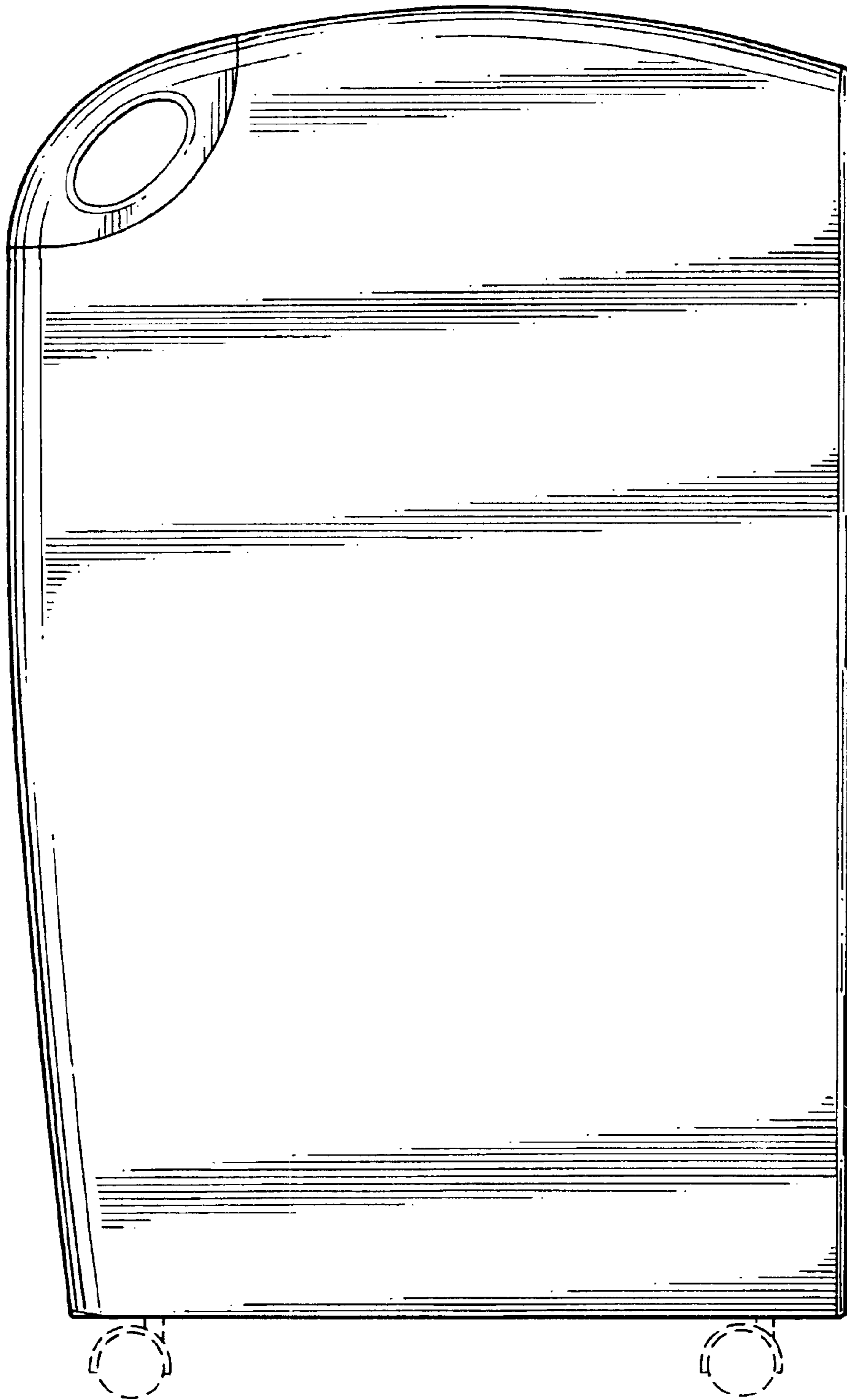


FIG.6

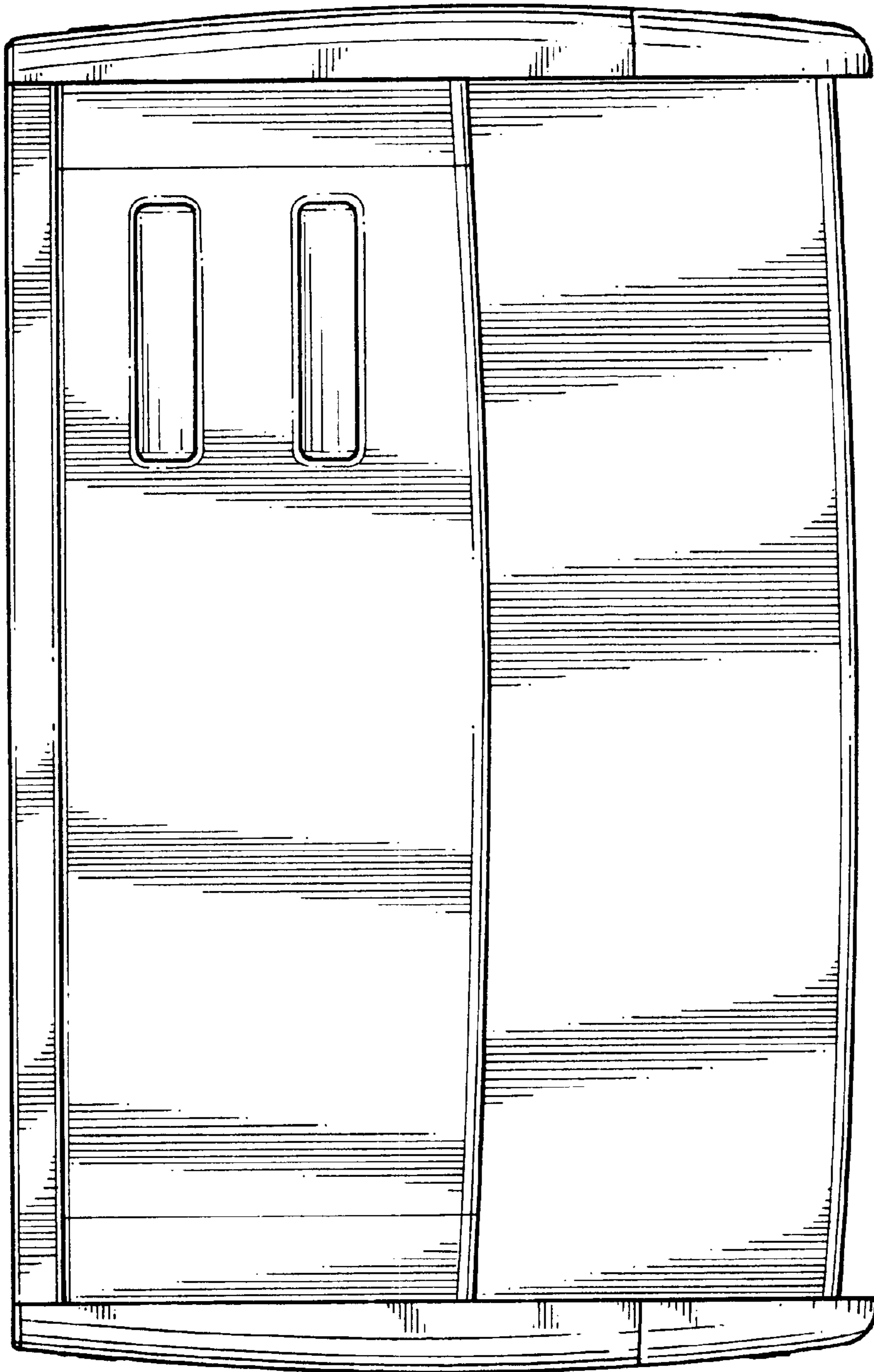


FIG. 7

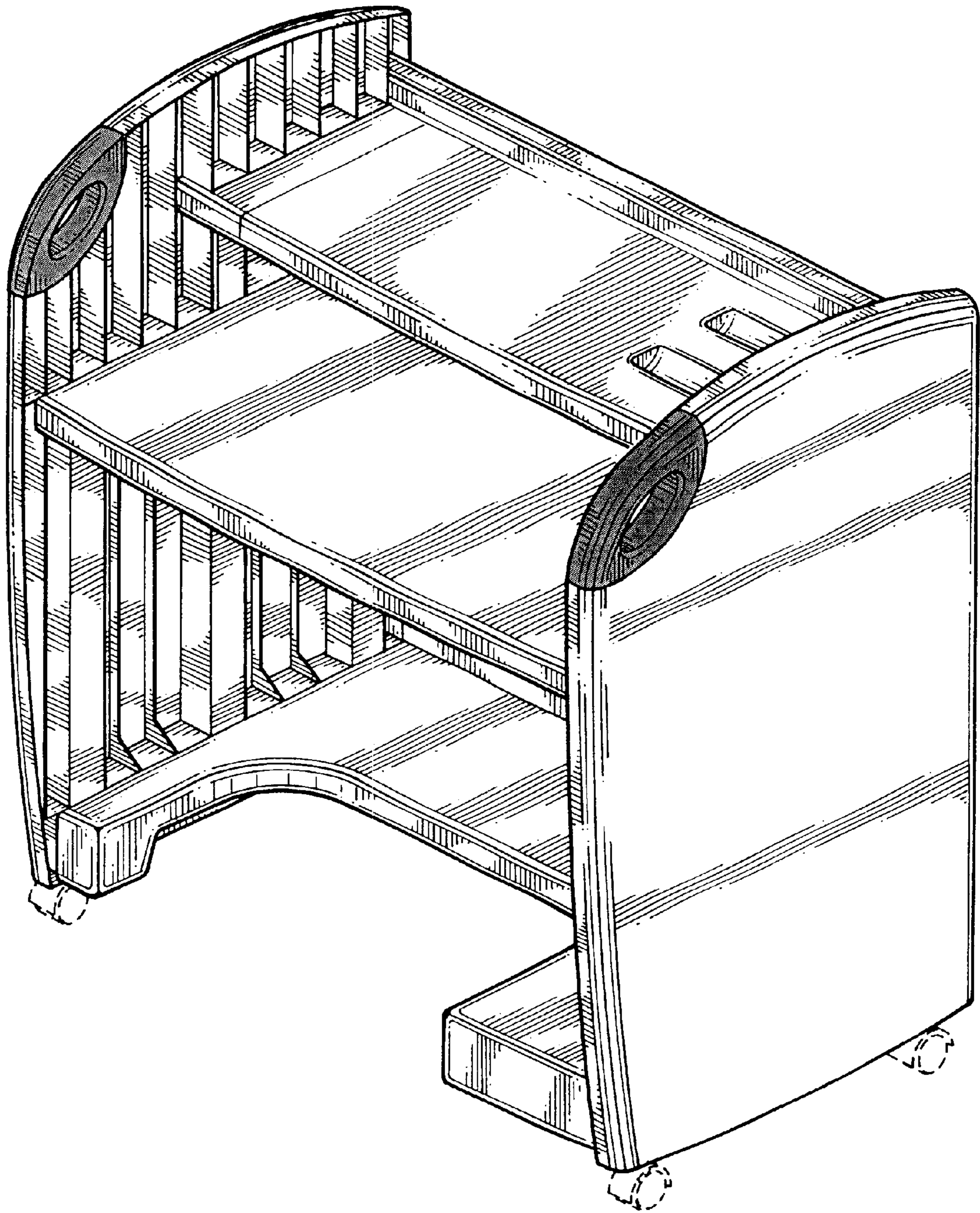


FIG.8