



US00D454441S

(12) **United States Design Patent**
Bermudez et al.

(10) **Patent No.:** **US D454,441 S**

(45) **Date of Patent:** **** Mar. 19, 2002**

(54) **LOUNGE CHAIR**

(75) Inventors: **James Bermudez**, London (GB); **Paul A. James**, Rochester, NY (US)

(73) Assignee: **HON Technology Inc.**, Muscatine, IA (US)

(**) Term: **14 Years**

(21) Appl. No.: **29/124,457**

(22) Filed: **Jun. 6, 2000**

(51) **LOC (7) Cl.** **06-01**

(52) **U.S. Cl.** **D6/378; D6/335**

(58) **Field of Search** D6/334, 335, 336,
D6/364, 371, 378, 381, 500, 501, 502;
297/135, 160, 170, 171, 173

(56) **References Cited**

U.S. PATENT DOCUMENTS

1,232,757	A	*	7/1917	Berkey	297/170
D130,795	S	*	12/1941	Eppenstein	D6/364
D162,426	S	*	3/1951	Michelson	D6/371
D247,009	S	*	1/1978	Schoblom et al.	D6/378
D251,940	S	*	5/1979	Spound et al.	D6/378
D259,600	S	*	6/1981	Marks	D6/378
D262,166	S	*	12/1981	Aronowitz et al.	D6/378
D262,421	S	*	12/1981	Aronowitz et al.	D6/364
D267,756	S	*	2/1983	Krabeepetcharat	D6/364

D273,253	S	*	4/1984	Dubbin et al.	D6/381
D288,507	S	*	3/1987	Evans	D6/336
D428,713	S	*	8/2000	Arko et al.	D6/336

* cited by examiner

Primary Examiner—Doris V. Coles

Assistant Examiner—Mimosa De

(74) *Attorney, Agent, or Firm*—Jones, Day, Reavis & Pogue

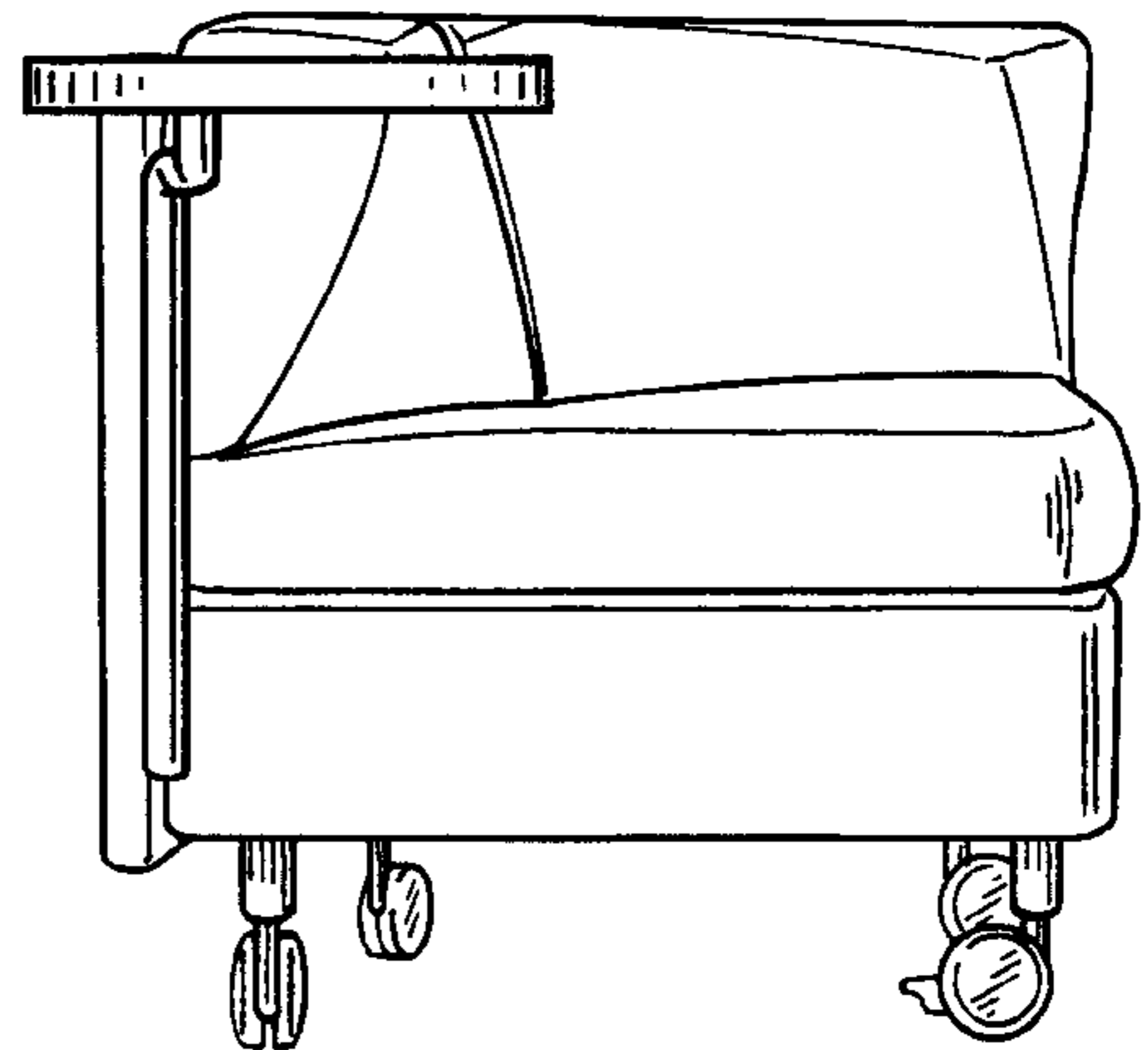
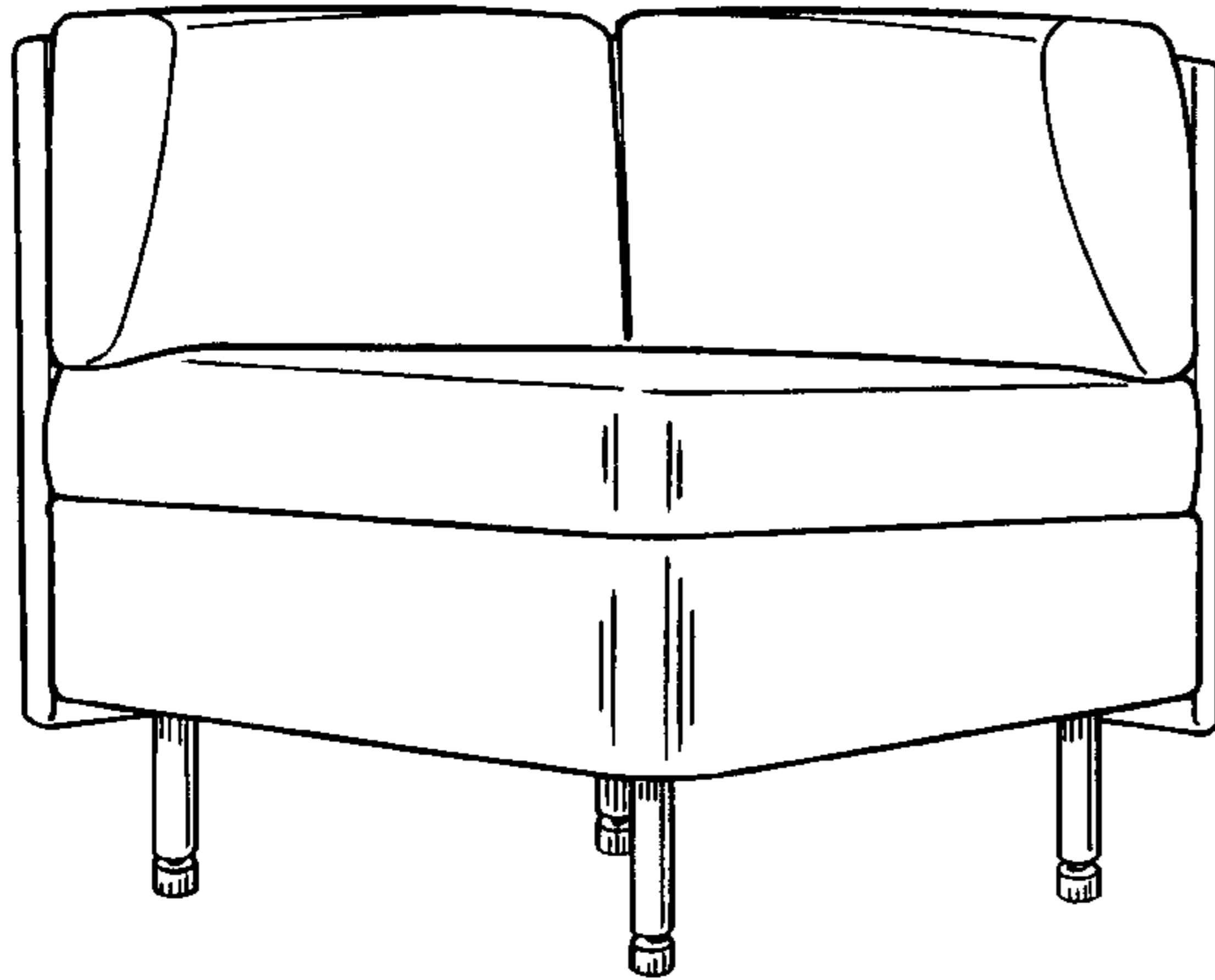
(57) **CLAIM**

The ornamental design for lounge chair, as shown and described.

DESCRIPTION

FIG. 1 is a front perspective view of a first embodiment of a lounge chair showing our new design;
 FIG. 2 is a right rear view thereof;
 FIG. 3 is a left front view thereof;
 FIG. 4 is a rear view thereof;
 FIG. 5 is a top plan view thereof;
 FIG. 6 is a front view of a second embodiment of the lounge chair;
 FIG. 7 is a left front view thereof;
 FIG. 8 is a right front view thereof;
 FIG. 9 is a right rear view thereof;
 FIG. 10 is a rear view thereof; and,
 FIG. 11 is a top plan view thereof.

1 Claim, 6 Drawing Sheets



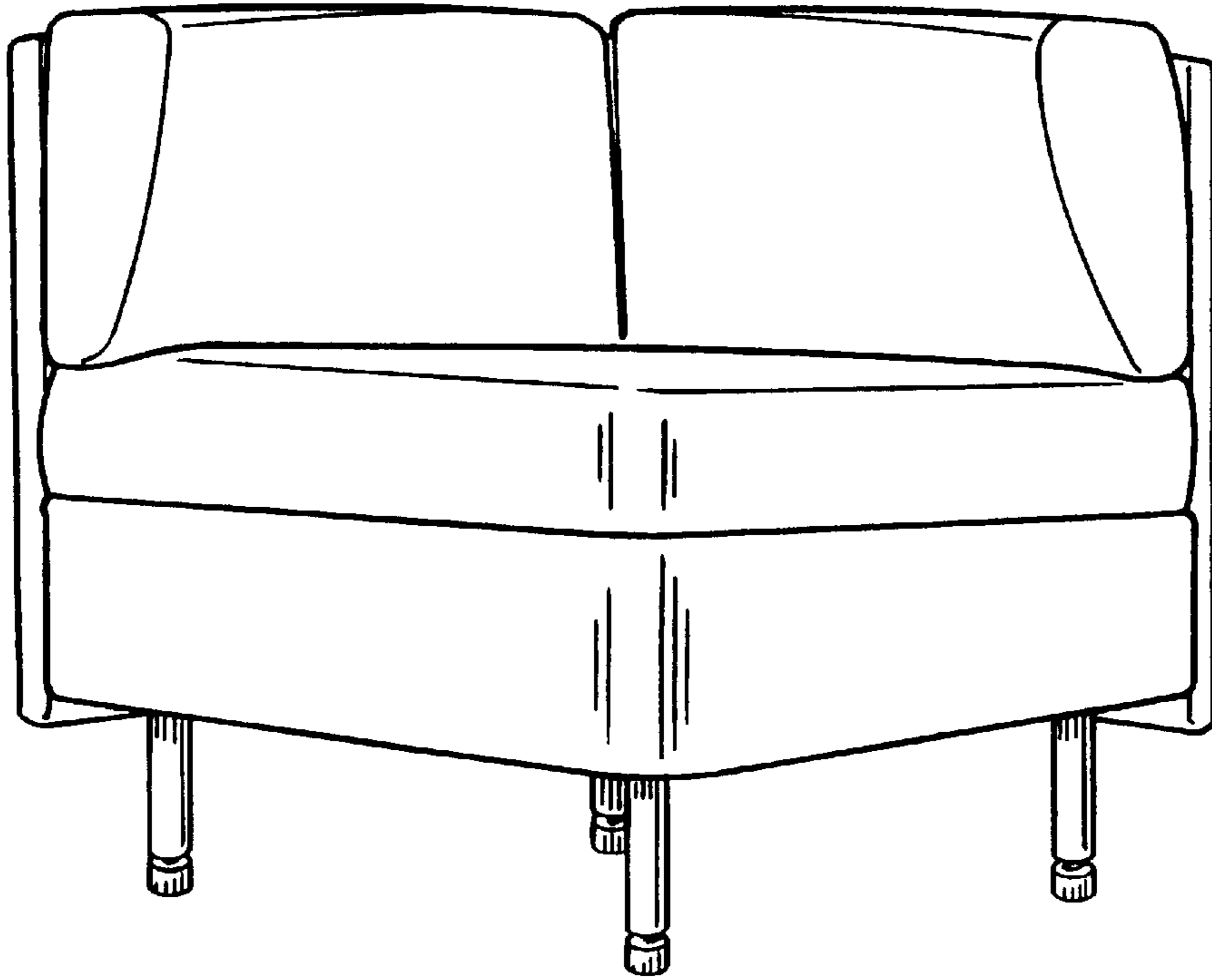


FIG. 1

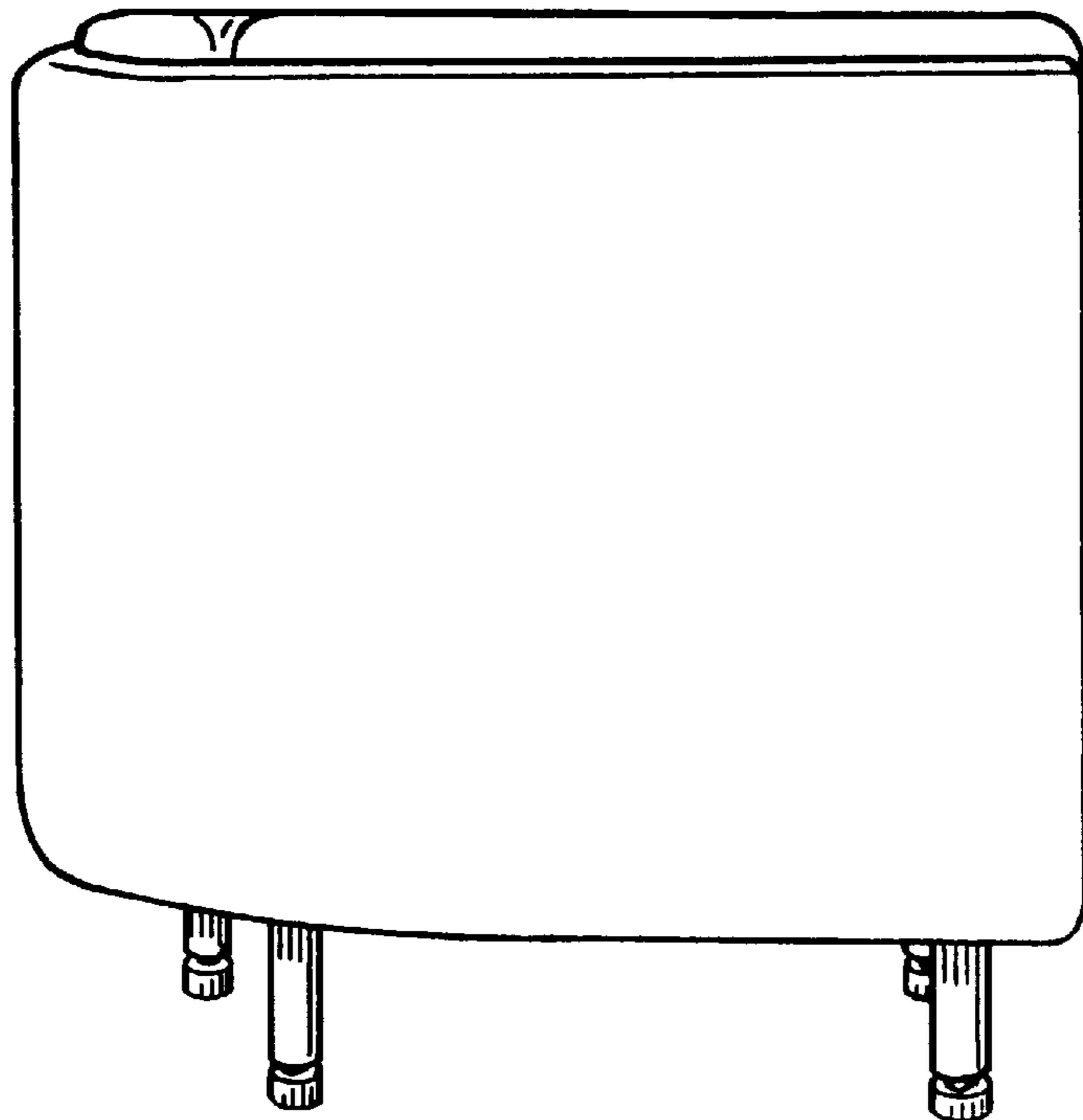


FIG. 2

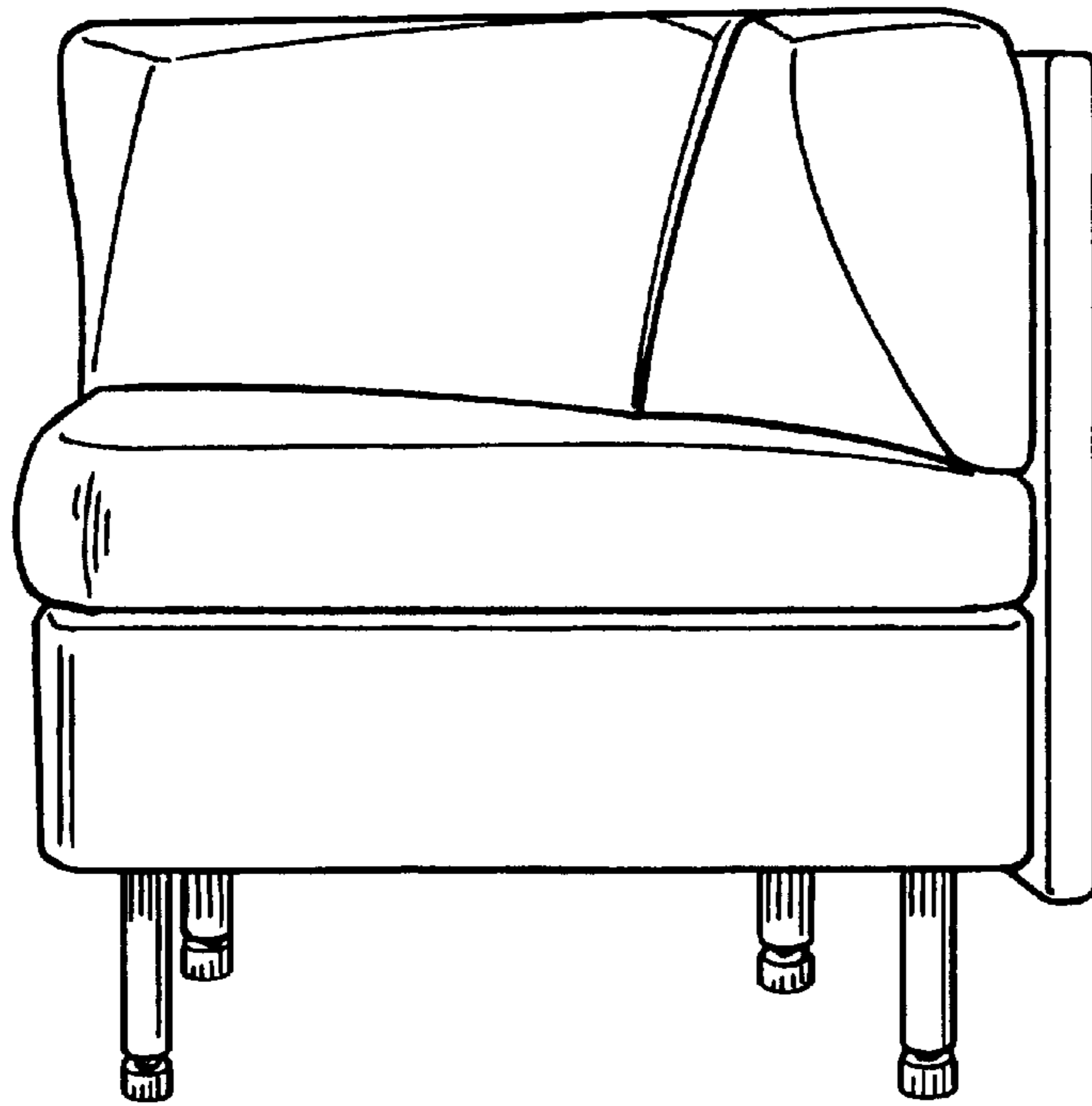


FIG. 3

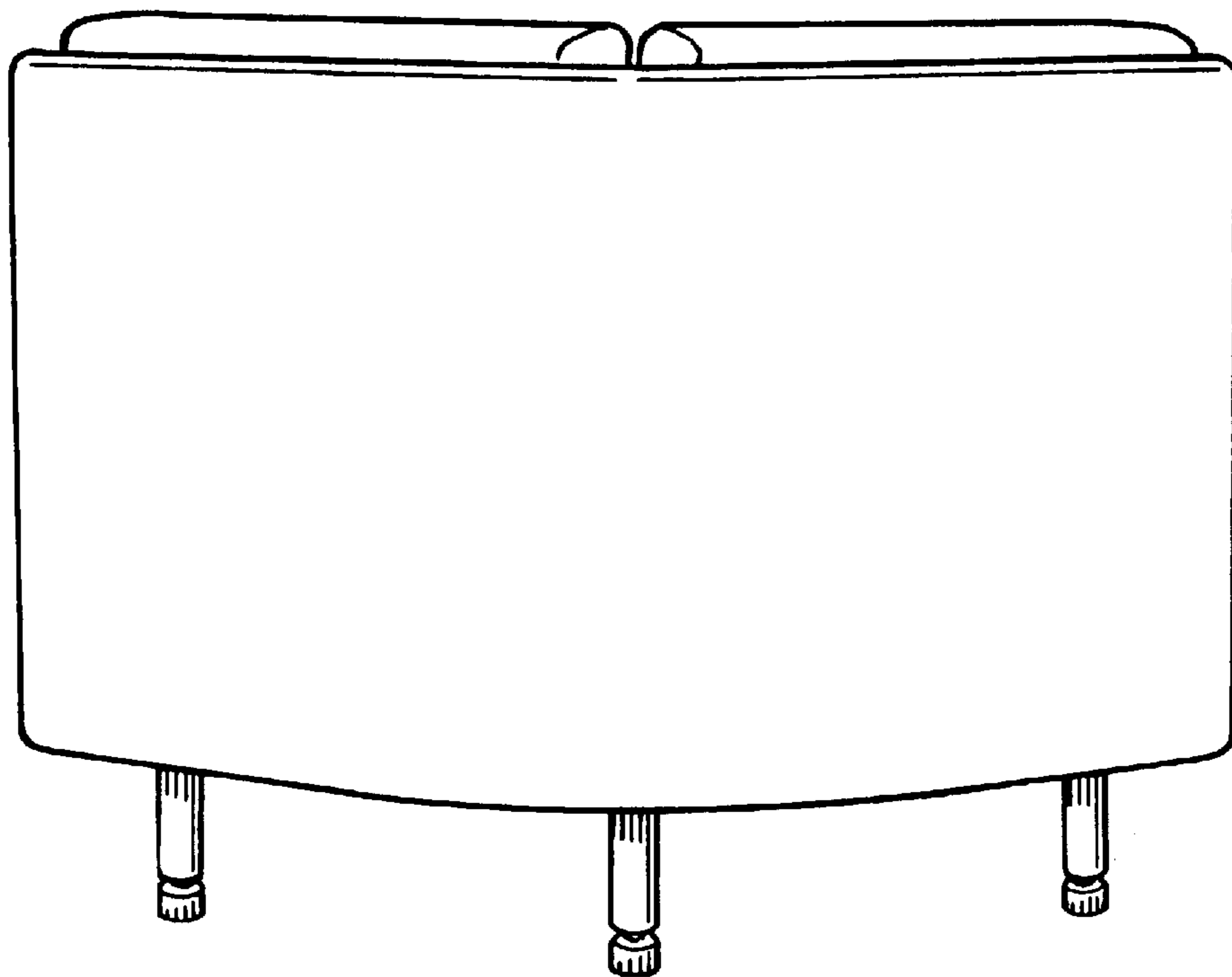


FIG. 4

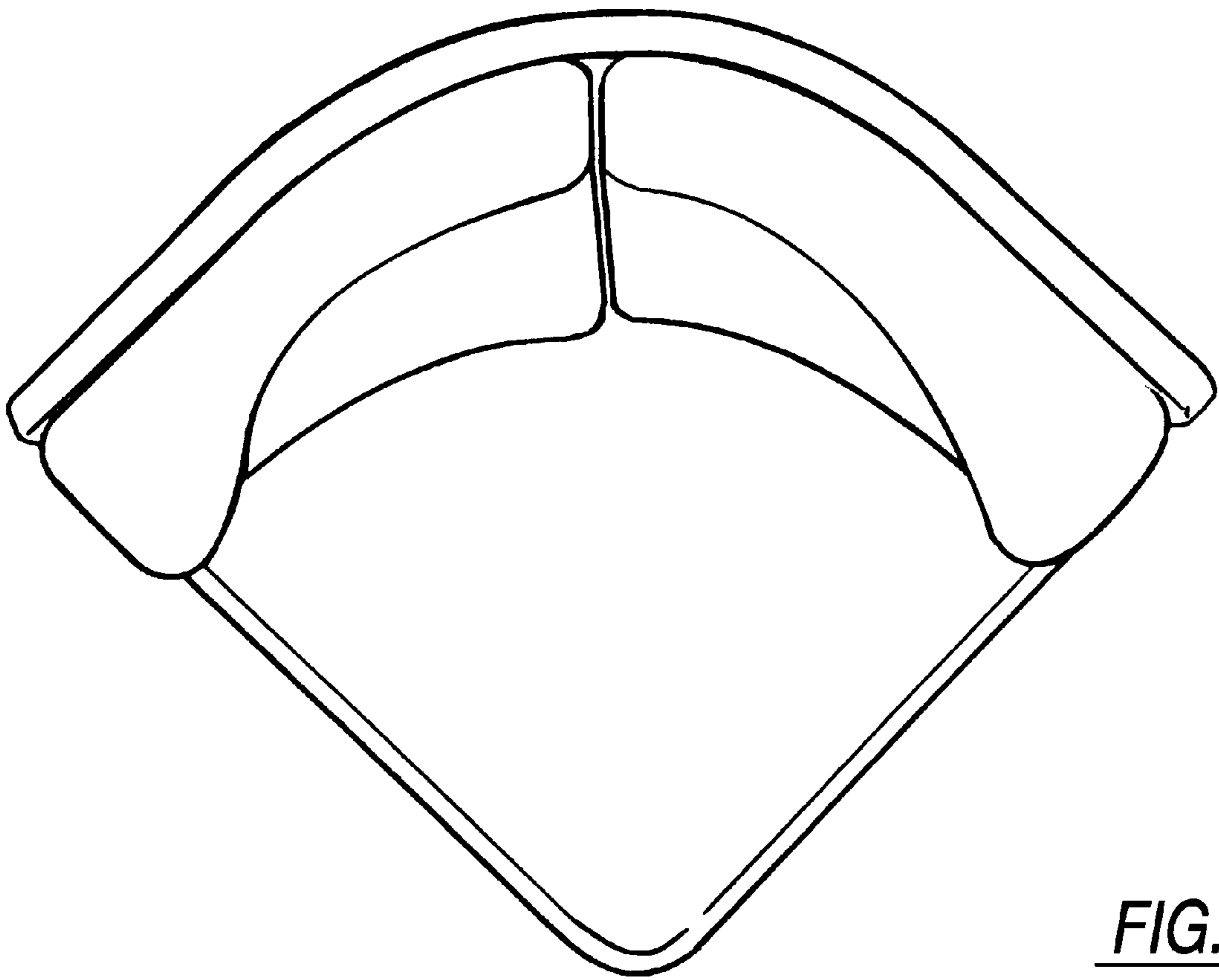


FIG. 5

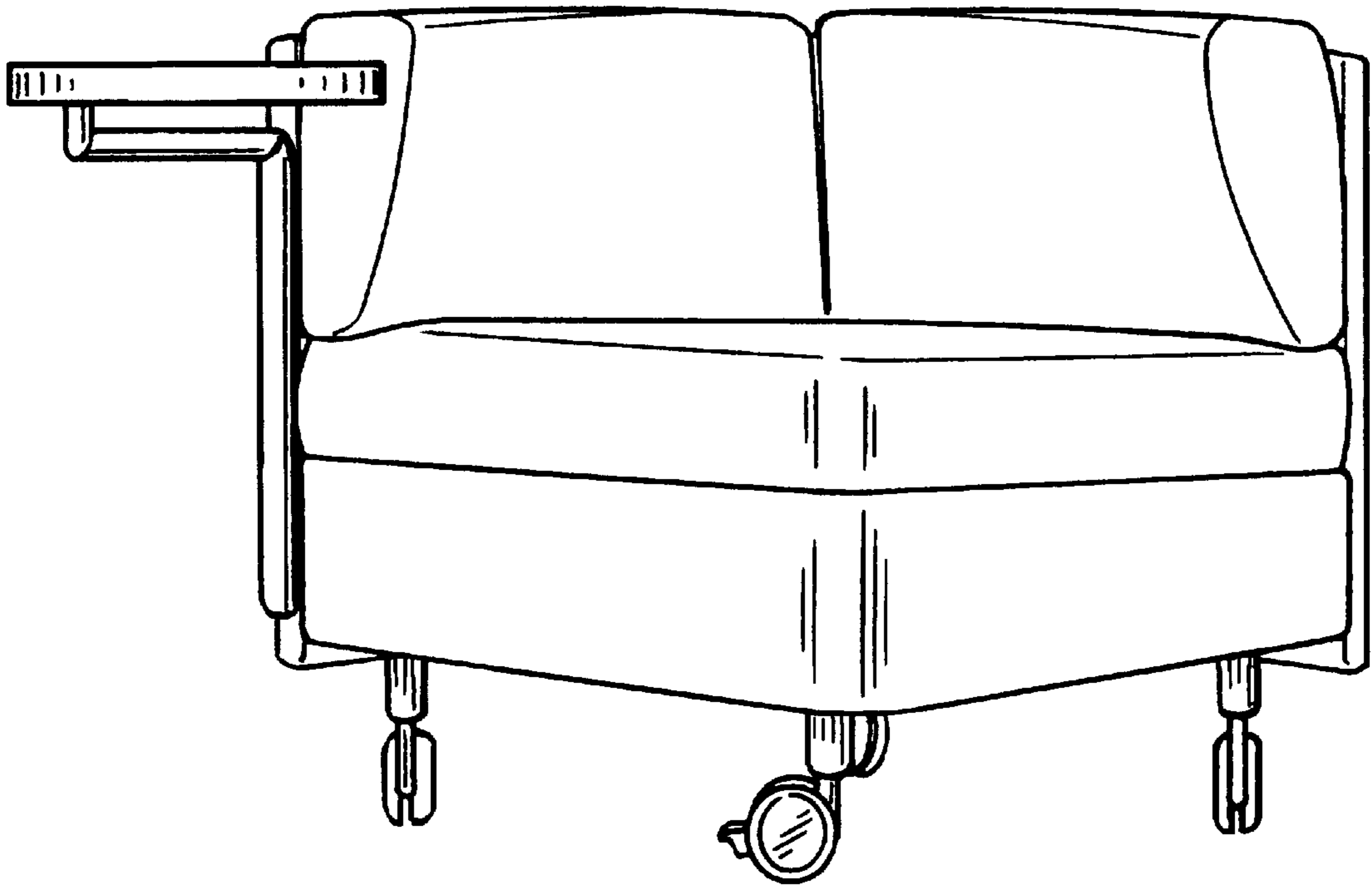


FIG. 6

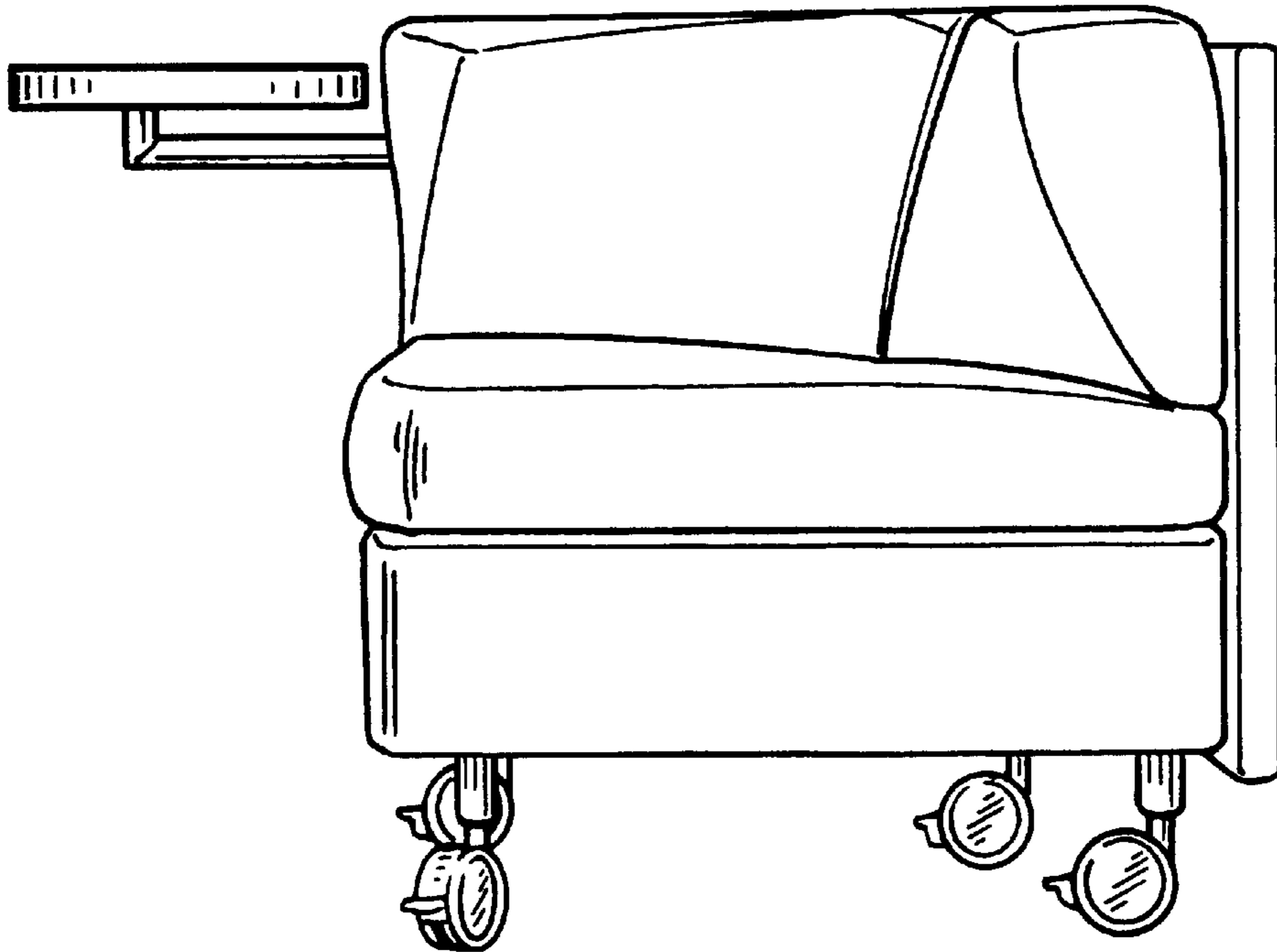


FIG. 7

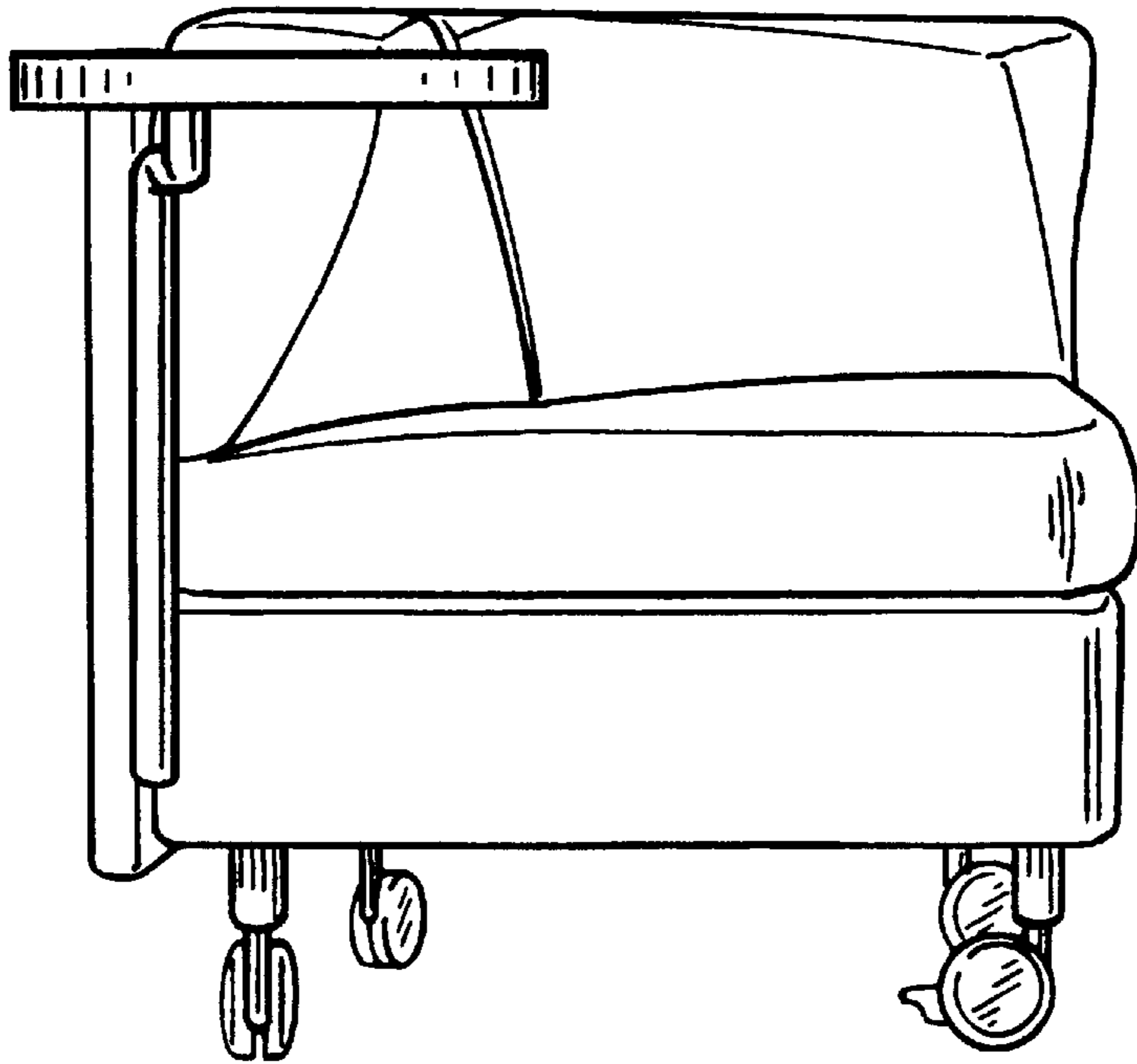


FIG. 8

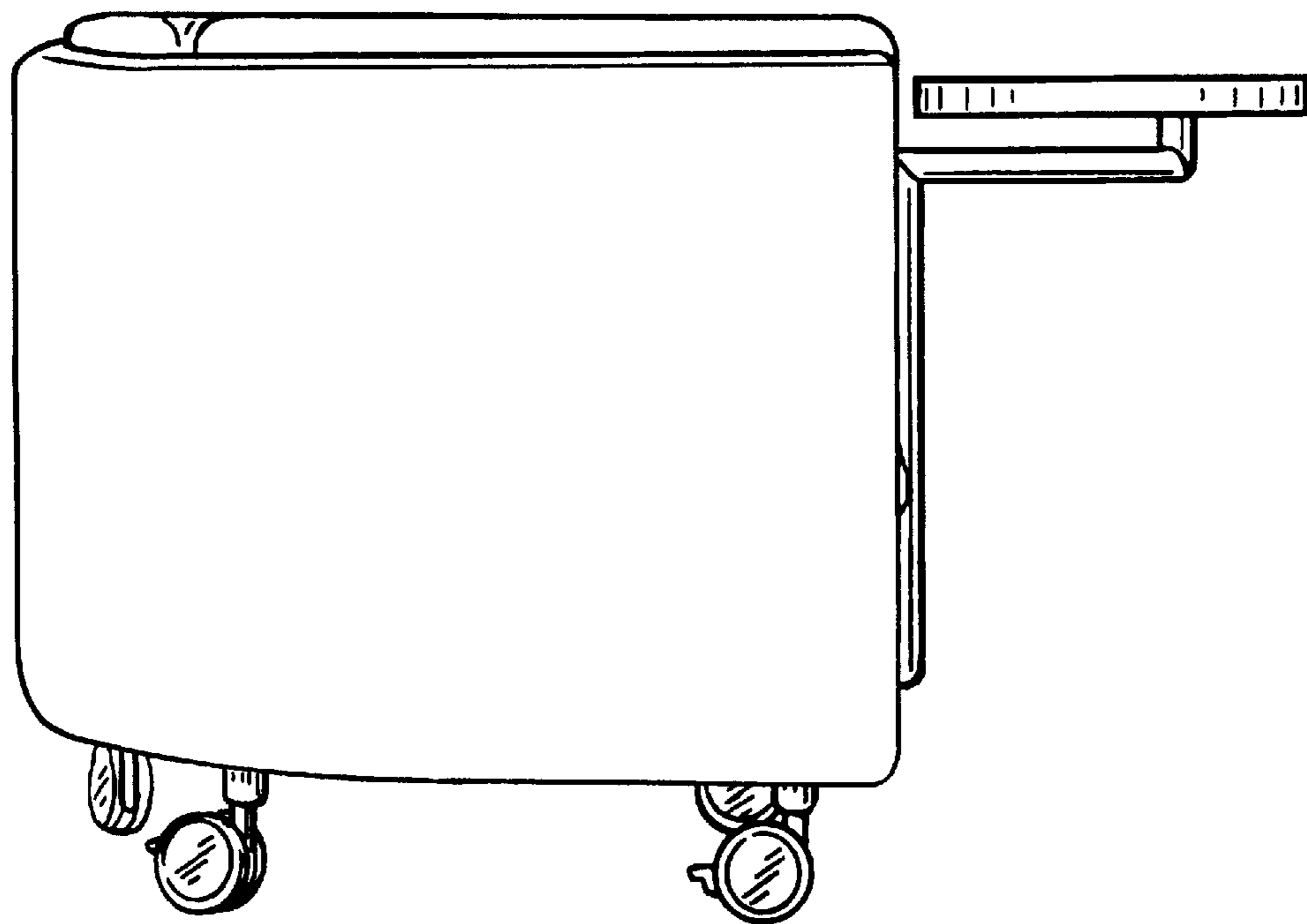


FIG. 9

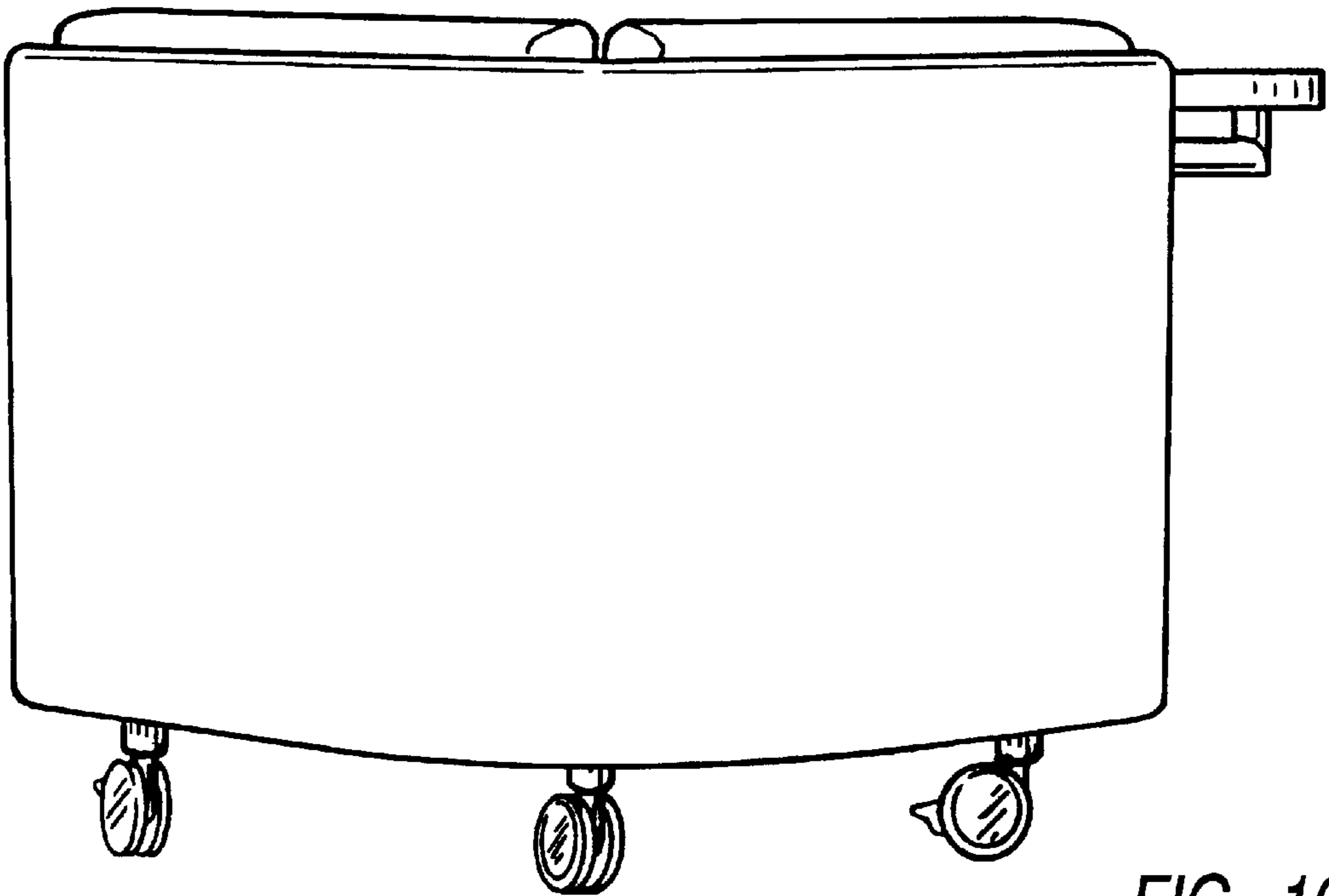


FIG. 10

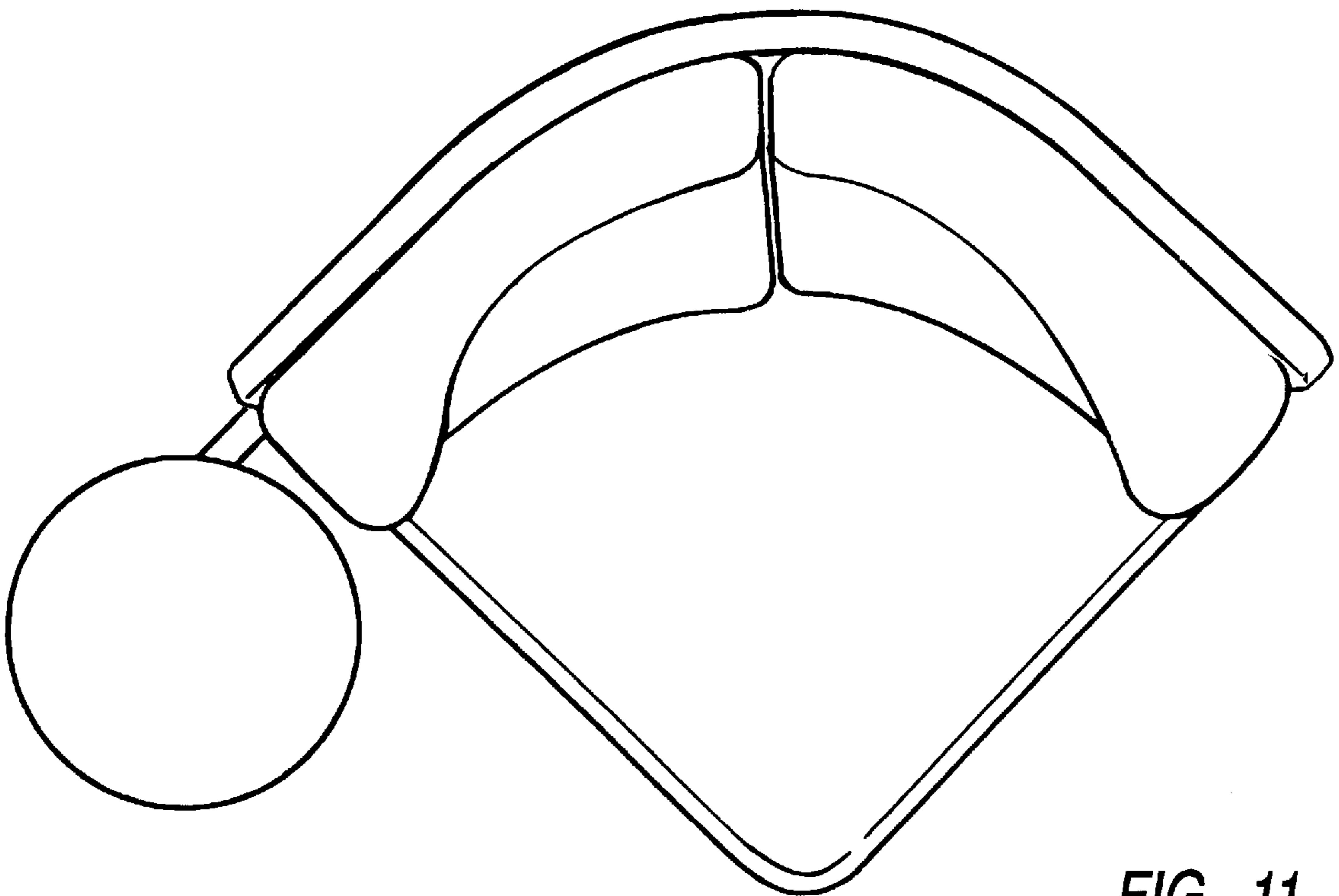


FIG. 11