



US00D454439S

(12) **United States Design Patent**
Hutton

(10) **Patent No.:** **US D454,439 S**

(45) **Date of Patent:** **** Mar. 19, 2002**

(54) **CHAISE LOUNGE**

(75) Inventor: **John Hutton**, West Islip, NY (US)

(73) Assignee: **Sutherland**, Dallas, TX (US)

(**) Term: **14 Years**

(21) Appl. No.: **29/132,909**

(22) Filed: **Nov. 17, 2000**

(51) **LOC (7) Cl.** **06-01**

(52) **U.S. Cl.** **D6/361**

(58) **Field of Search** D6/334, 335, 360,
D6/361, 367, 370, 379, 500, 501, 502;
297/377, 445.1

(56) **References Cited**

U.S. PATENT DOCUMENTS

D296,849 S	*	7/1988	Cronk	D6/361
D369,916 S	*	5/1996	Lemoine	D6/361
D414,049 S	*	9/1999	Van Rhiemen	D6/361
D429,421 S	*	8/2000	Hodge	D6/361
D437,700 S	*	2/2001	Tyler	D6/361

* cited by examiner

Primary Examiner—Gary D. Watson

(74) *Attorney, Agent, or Firm*—Gardere Wynne Sewell LLP

(57) **CLAIM**

The ornamental design for a chaise lounge, as shown and described.

DESCRIPTION

FIG. 1 is a perspective view of the chaise lounge of my invention;

FIG. 2 is a front elevation view of the chaise lounge shown in FIG. 1;

FIG. 3 is a rear elevation view of the chaise lounge shown in FIG. 1;

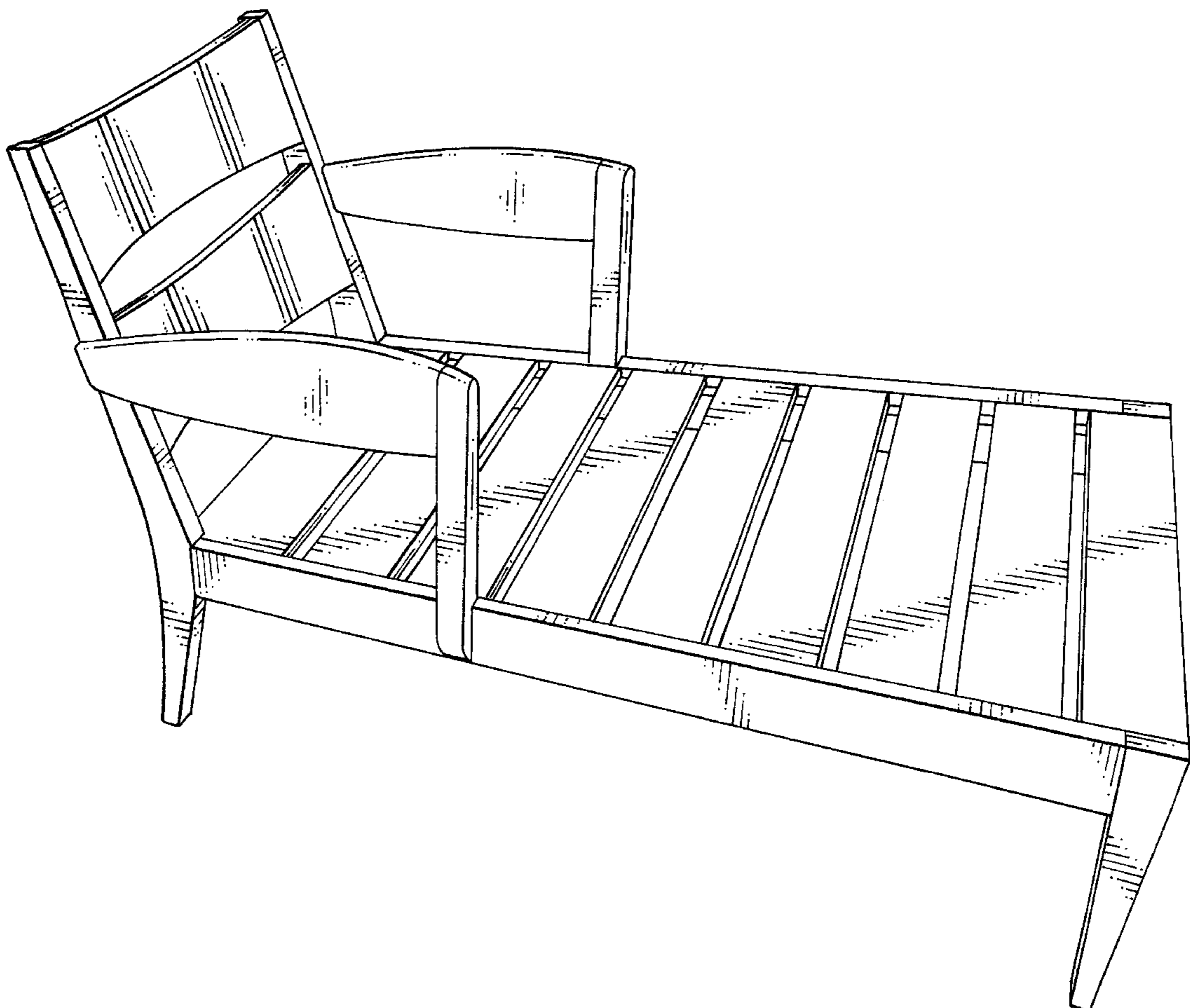
FIG. 4 is a right side elevation view of the chaise lounge shown in FIG. 1;

FIG. 5 is a left side elevation view of the chaise lounge shown in FIG. 1;

FIG. 6 is a top plan view of the chaise lounge shown in FIG. 1; and,

FIG. 7 is a bottom plan view of the chaise lounge shown in FIG. 1.

1 Claim, 7 Drawing Sheets



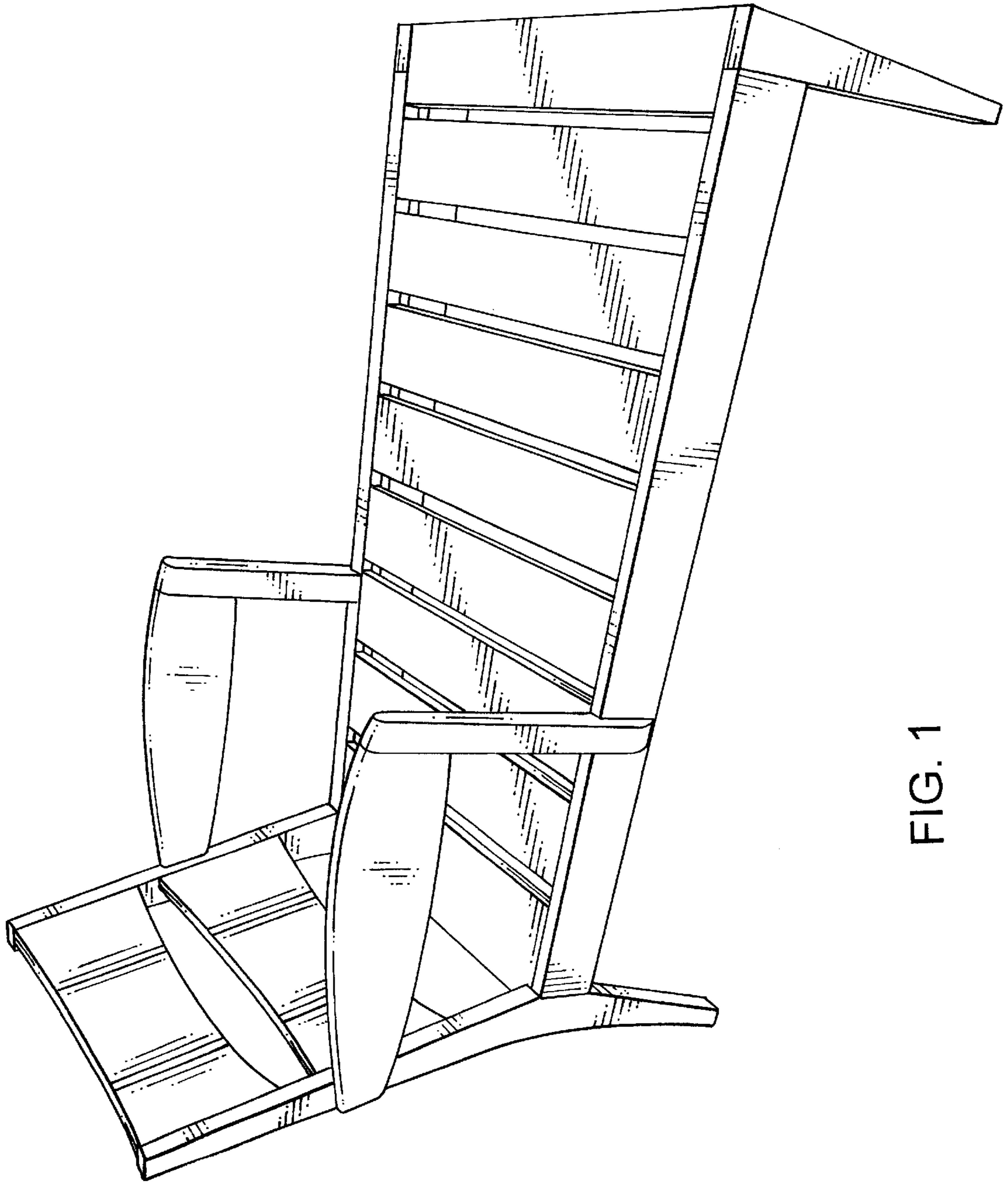


FIG. 1

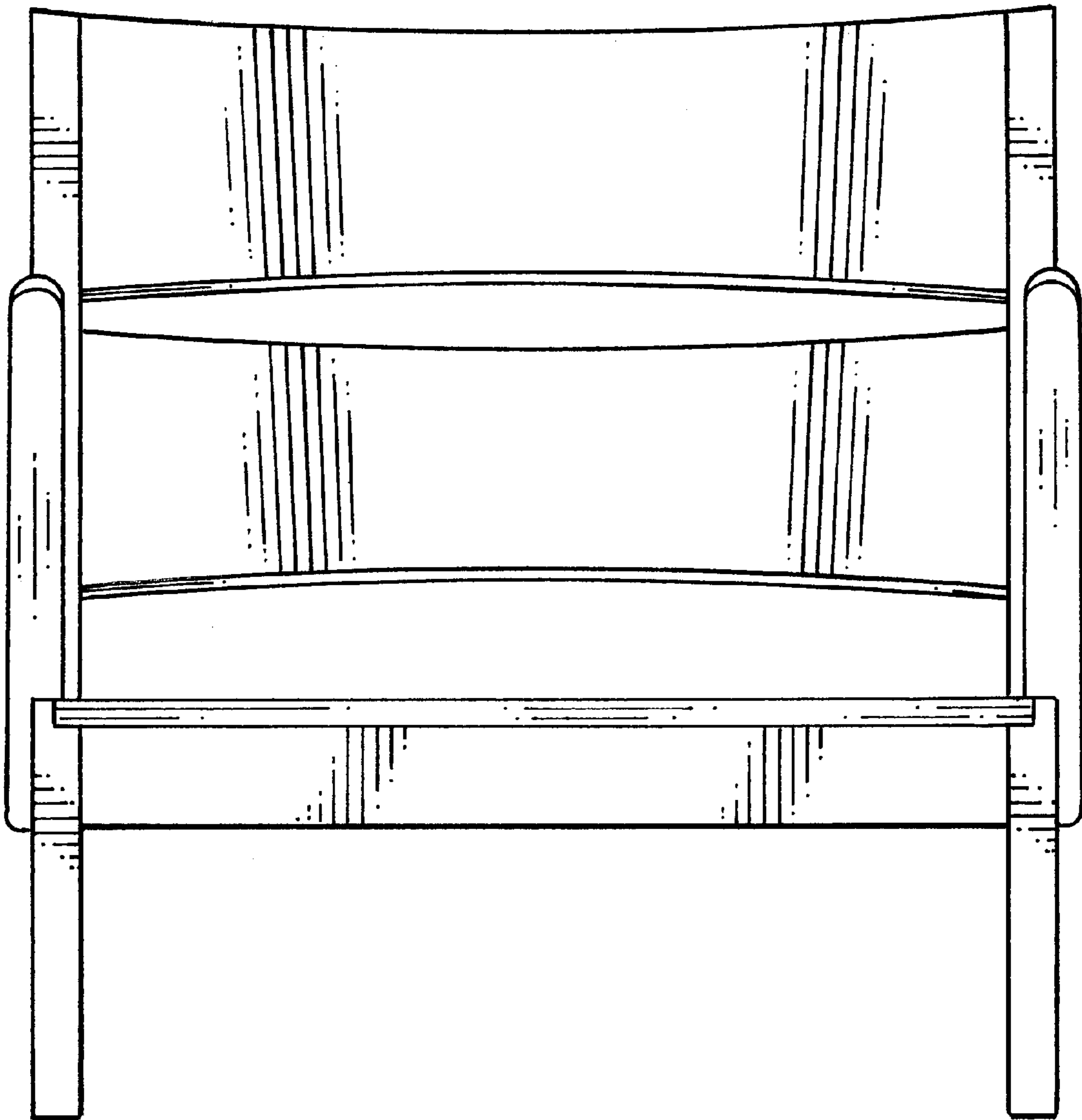


FIG. 2

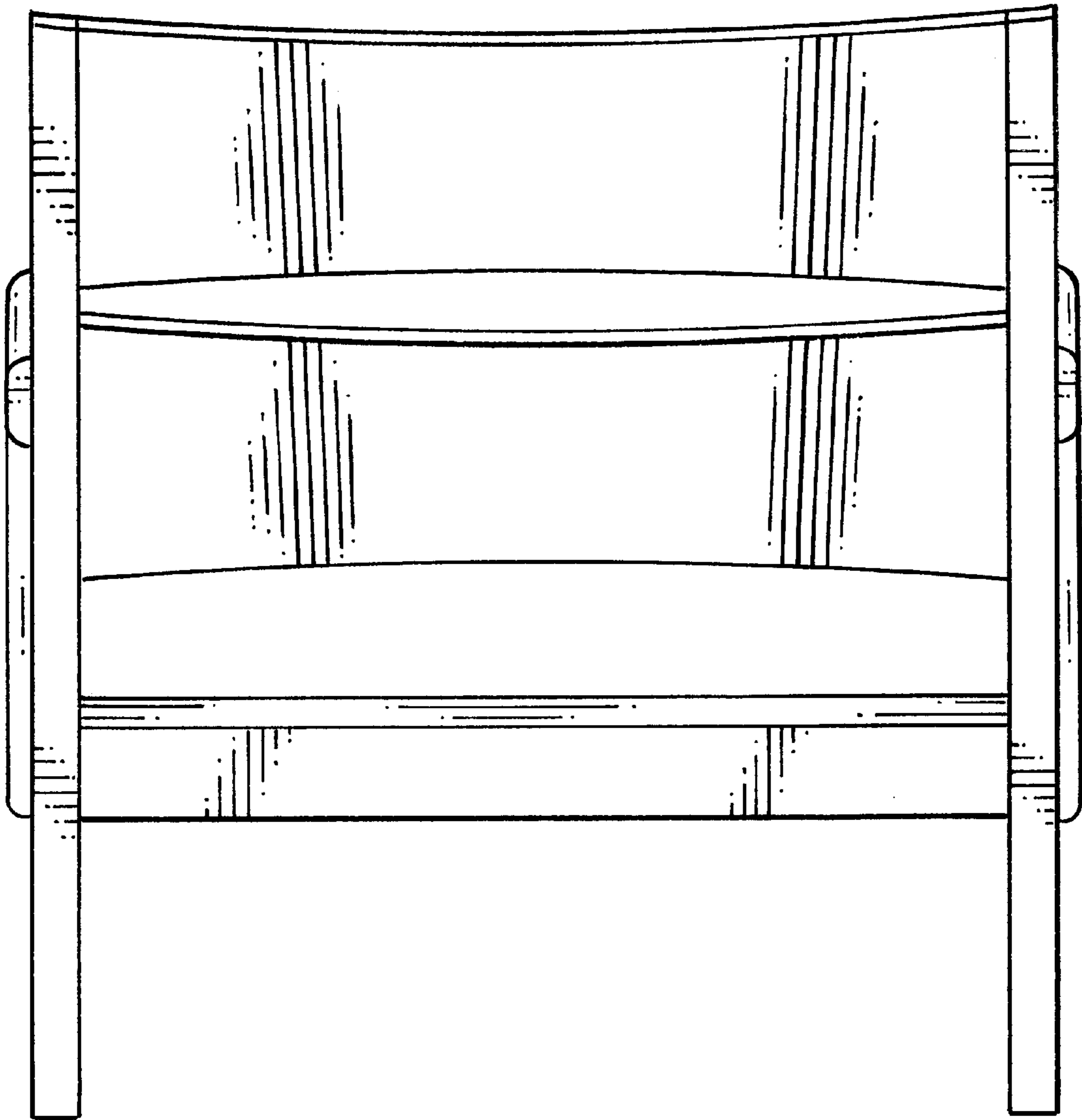


FIG. 3

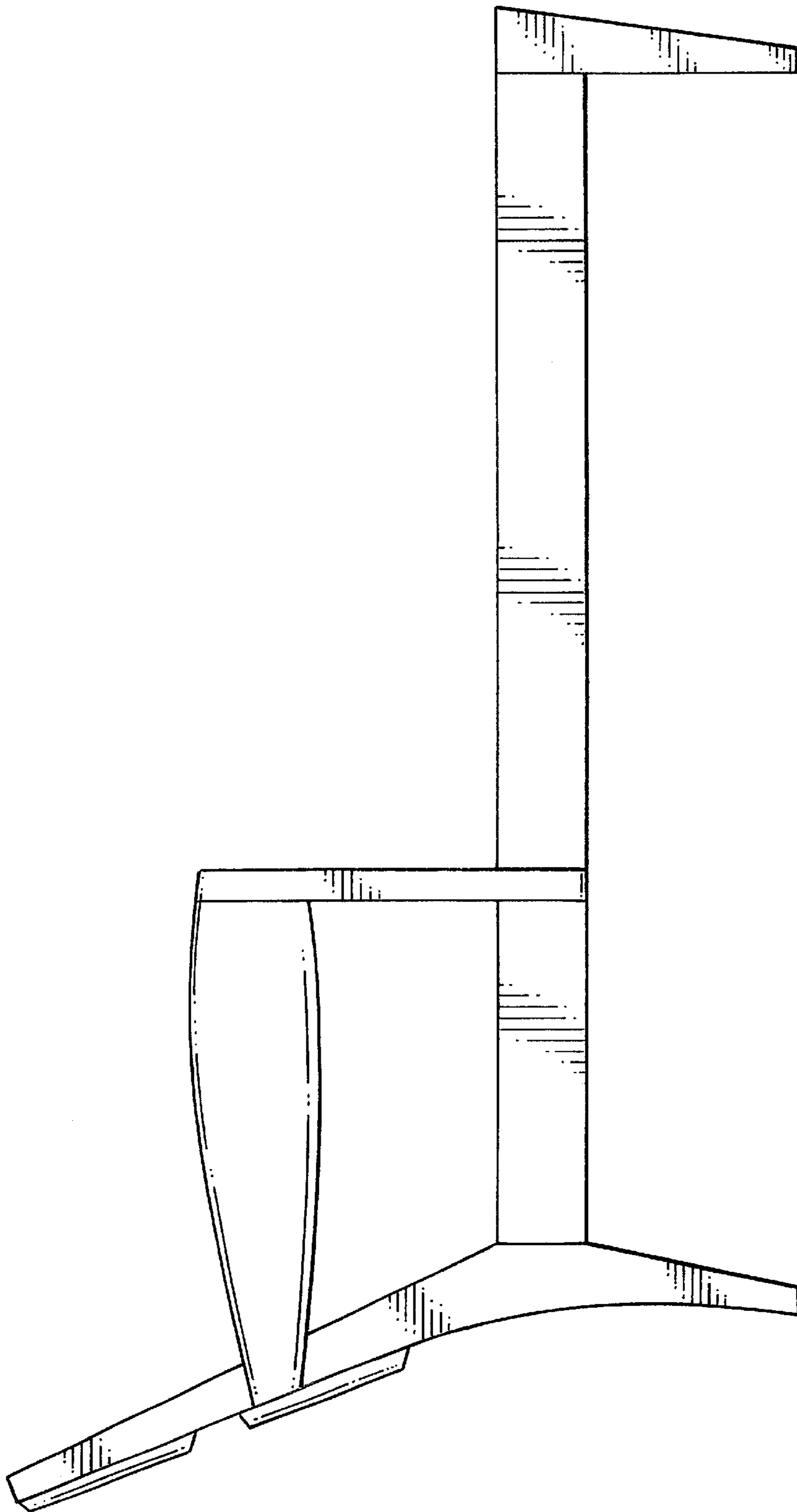


FIG. 4

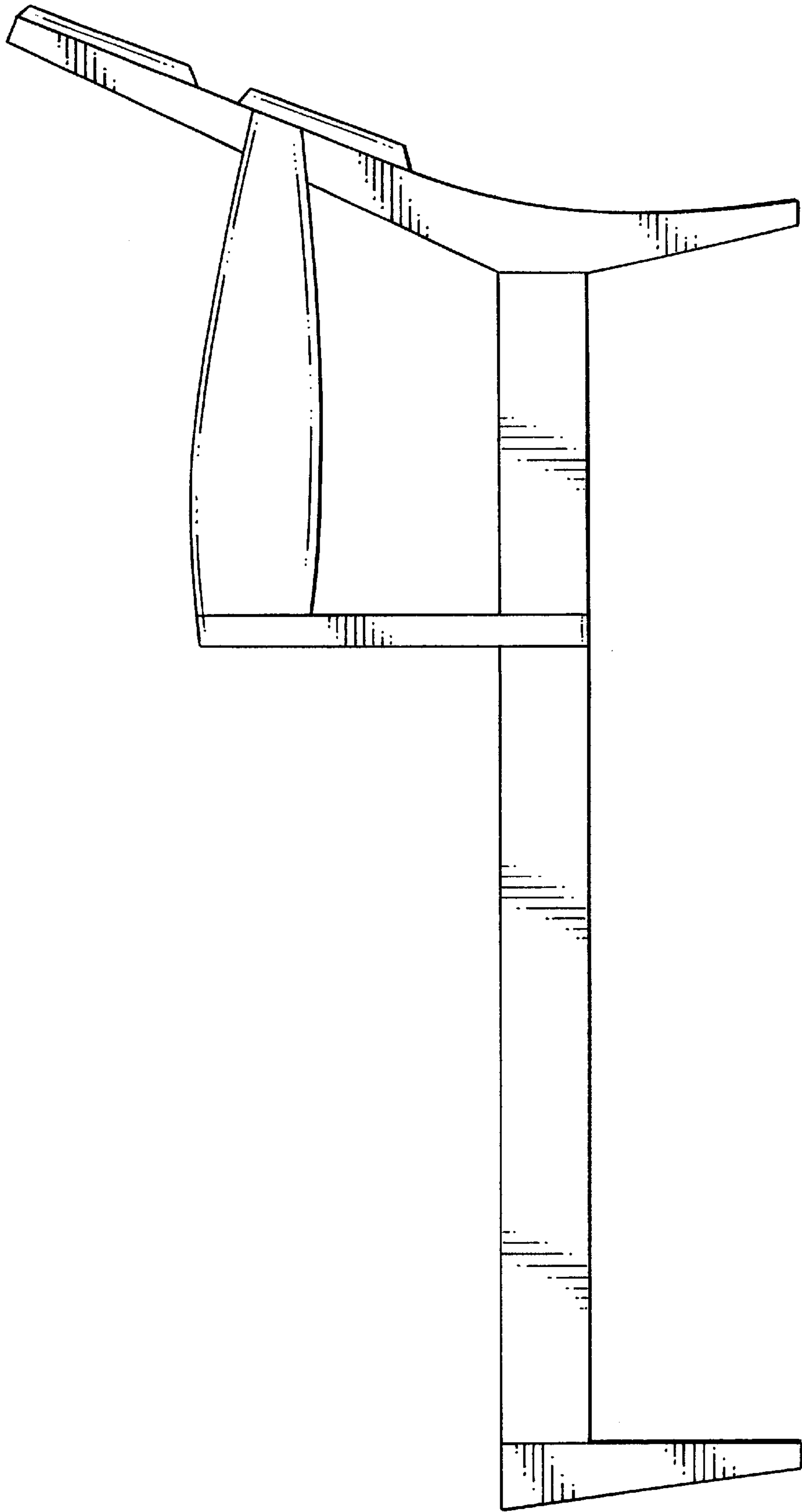


FIG. 5

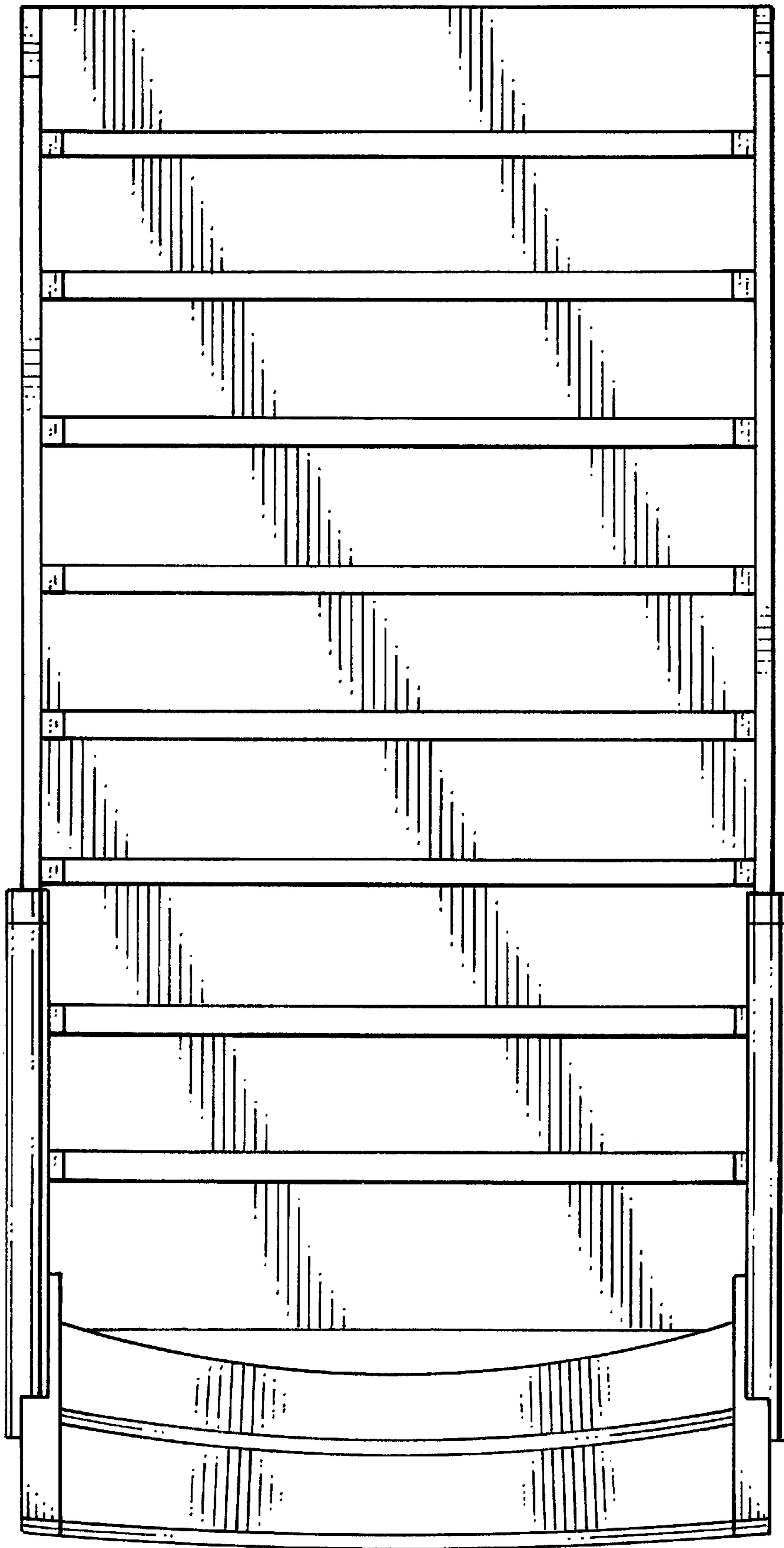


FIG. 6

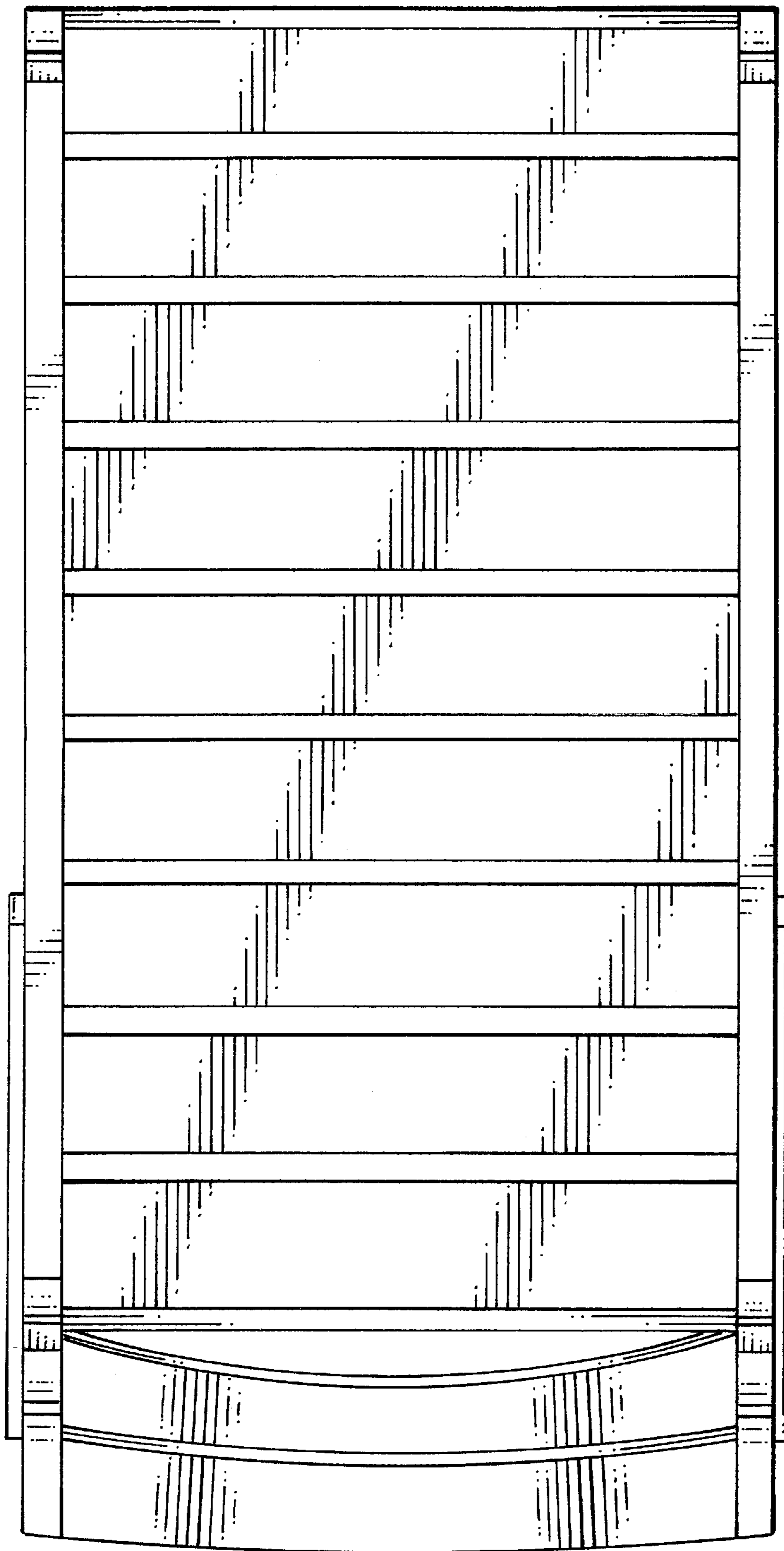


FIG. 7