



US00D454438S

(12) **United States Design Patent**
Volkman et al.

(10) **Patent No.:** **US D454,438 S**
(45) **Date of Patent:** **** Mar. 19, 2002**

(54) **GARDENING KNEELING ASSISTOR**
(75) Inventors: **Cheryl Volkman**, Circle Pines; **Dianne Goodwin**, St. Paul; **Sherry Rovig**, Duluth, all of MN (US)

4,218,093 A 8/1980 Gertz
5,112,103 A 5/1992 Downer
5,586,804 A 12/1996 Burroughs
D381,821 S * 8/1997 Miles D6/353
5,887,944 A 3/1999 Boost
5,909,925 A 6/1999 Glockl

(73) Assignee: **White Pine Concepts LLC**, Circle Pines, MN (US)

FOREIGN PATENT DOCUMENTS

(**) Term: **14 Years**

DE 3201-335 7/1983
GB 865245 4/1961
WO WO 90/08490 8/1990

(21) Appl. No.: **29/141,803**

* cited by examiner

(22) Filed: **May 11, 2001**

Primary Examiner—Janice E. Seeger

(51) **LOC (7) Cl.** **06-01**

(74) *Attorney, Agent, or Firm*—Merchant & Gould P.C.

(52) **U.S. Cl.** **D6/349**

(57) **CLAIM**

(58) **Field of Search** D6/349-353; 297/461, 297/462, 195.11, 423.1, 423.11, 423.39, 423.41, 423.42, 423.43, 423.16

The ornamental design for a gardening kneeling assistor, as shown and described.

DESCRIPTION

(56) **References Cited**

FIG. 1 is a top front perspective view of a gardening stool showing our new design;

U.S. PATENT DOCUMENTS

69,298 A * 10/1867 Adams 297/195.11
773,086 A * 10/1904 Minor 297/195.11
D86,133 S * 2/1932 Kanter D6/352
1,976,170 A 10/1934 Hoover et al.
2,038,806 A 4/1936 Sellar
2,049,539 A 8/1936 Greenwood
3,312,437 A 4/1967 Barth
4,130,263 A 12/1978 Roericht

FIG. 2 is a front elevational view thereof;

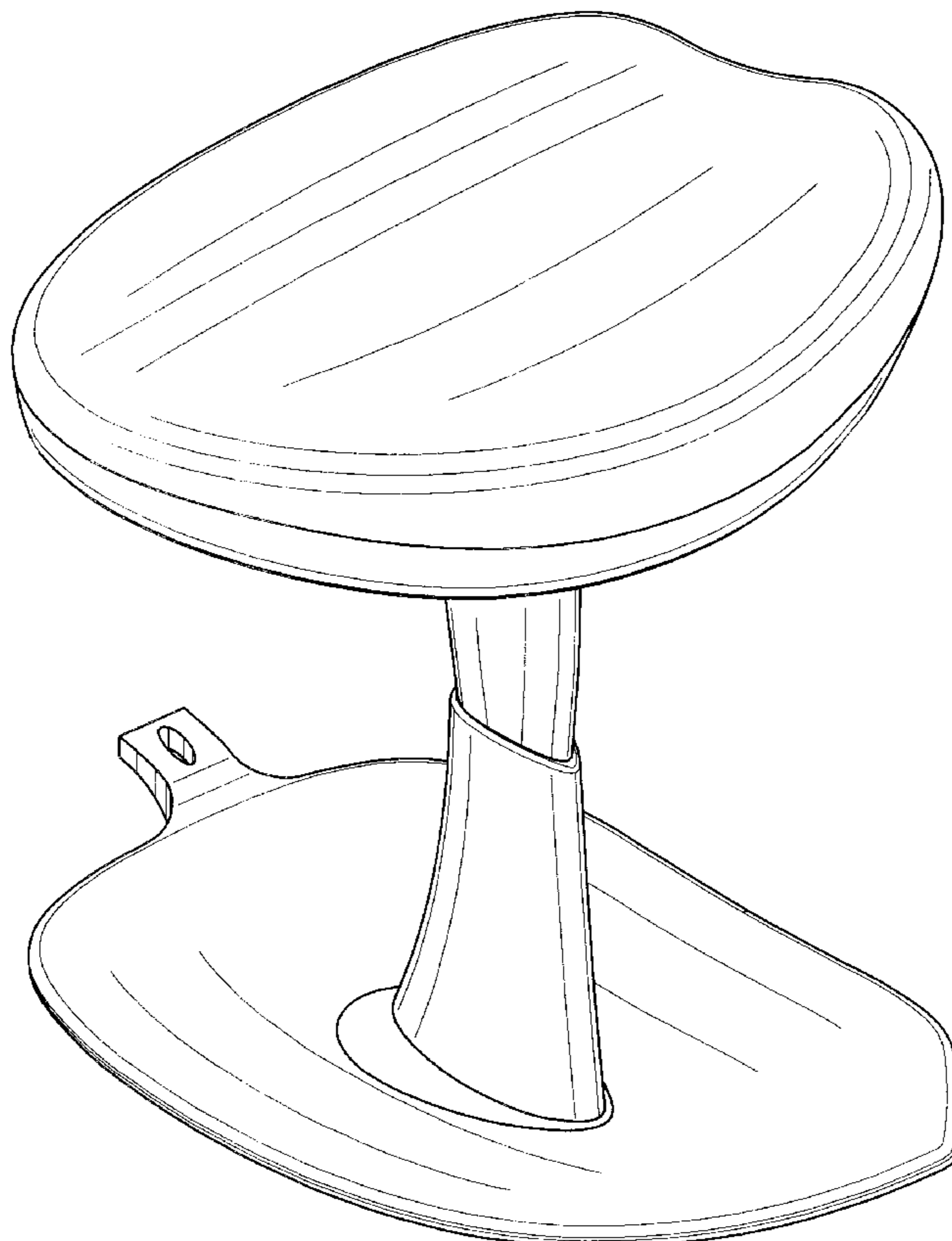
FIG. 3 is a rear elevational view thereof;

FIG. 4 is a top plan view thereof;

FIG. 5 is a bottom plan view thereof; and,

FIG. 6 is a left side elevational view thereof; the right side being the same as the left side.

1 Claim, 4 Drawing Sheets



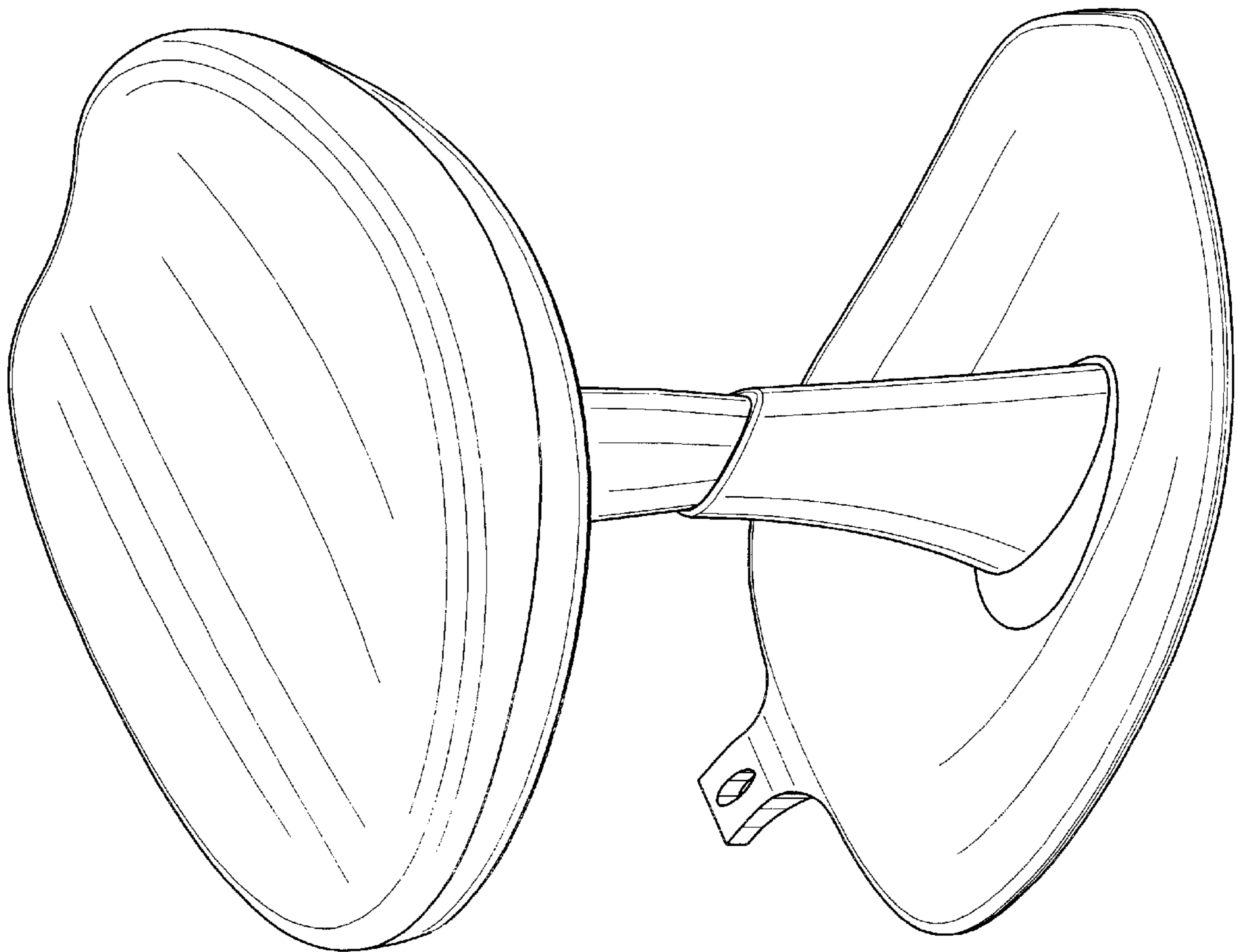


FIG. 1

FIG.3

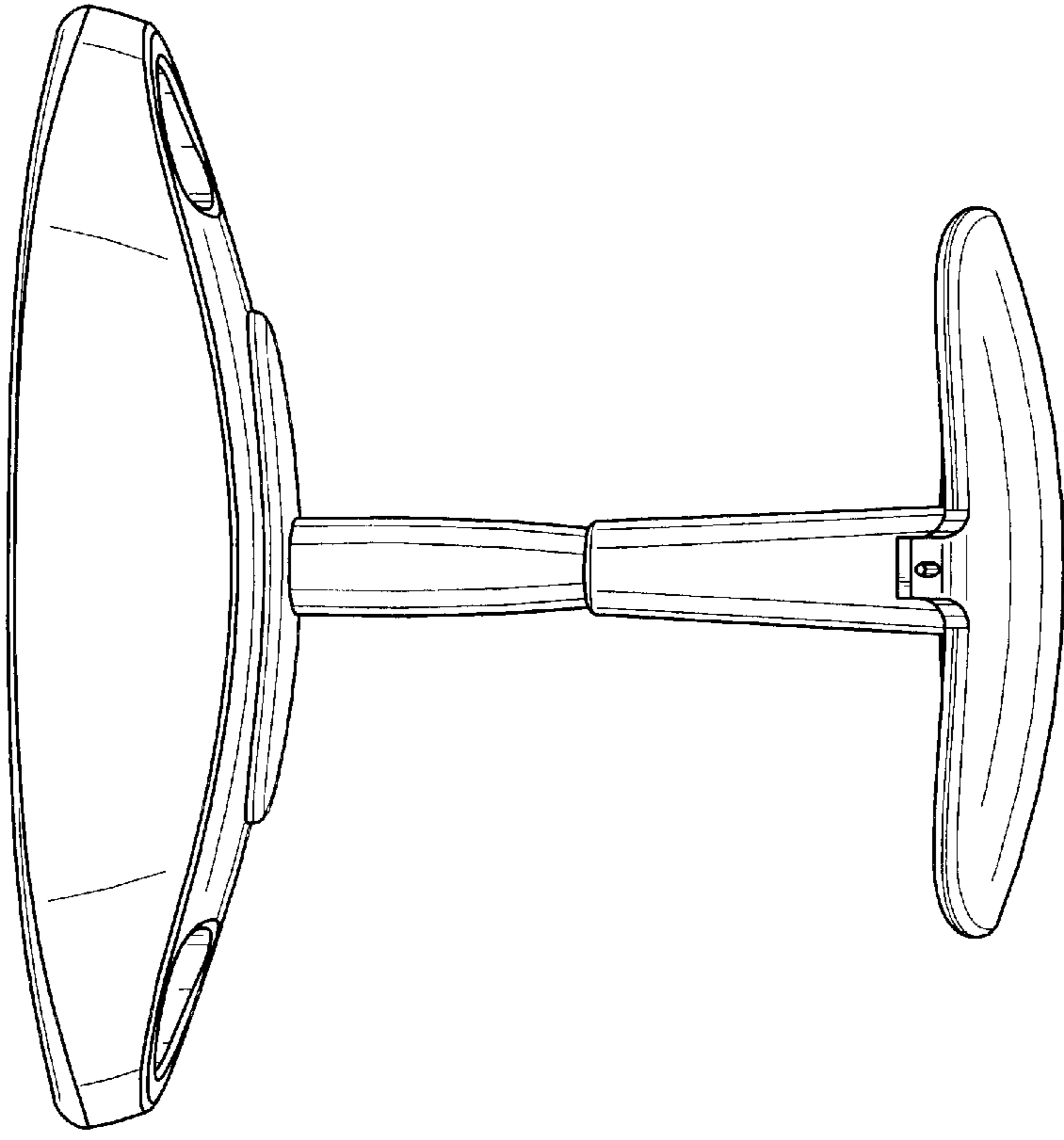


FIG.2

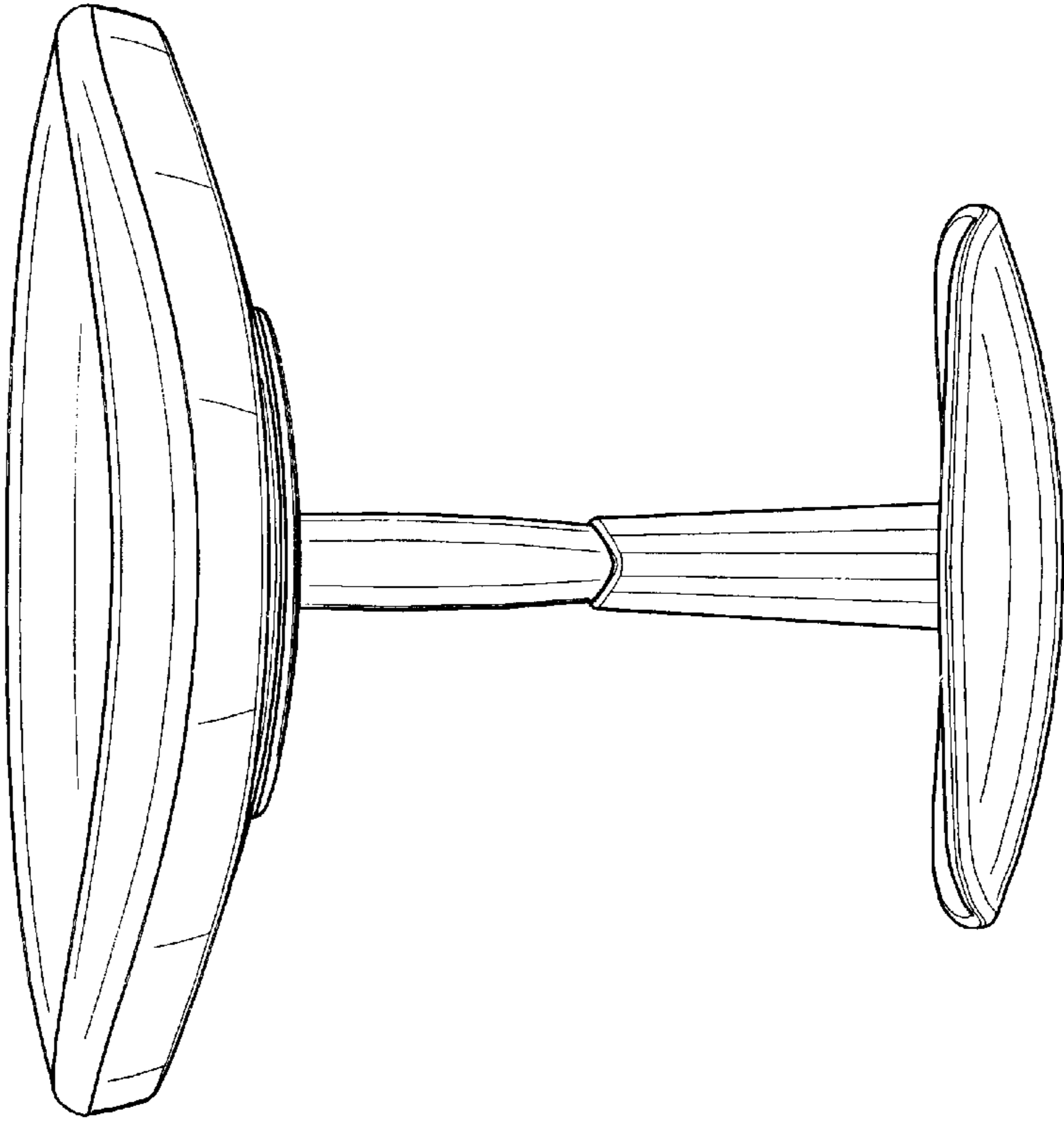


FIG.5

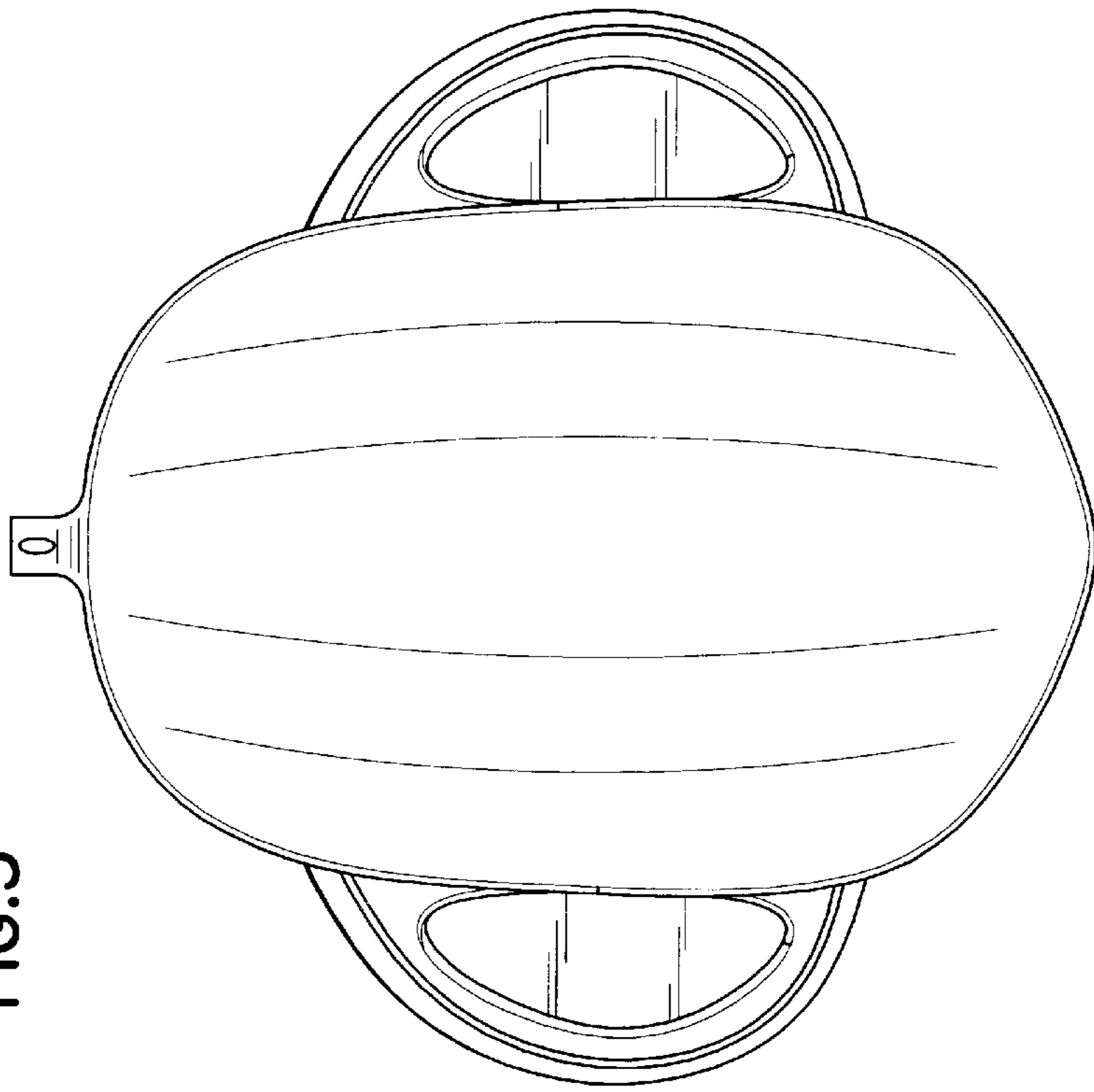


FIG.4

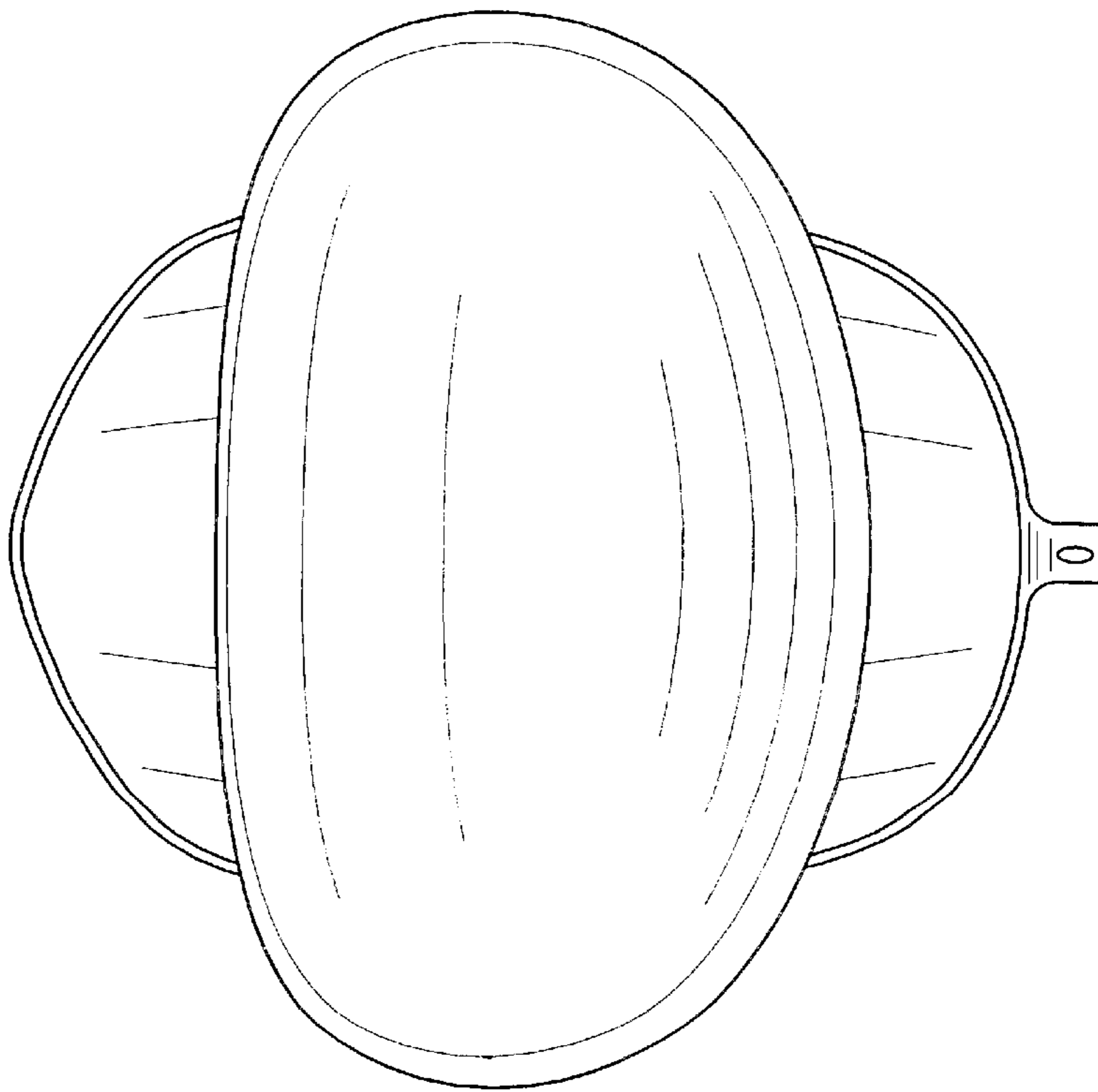


FIG. 6

