



US00D454437S

(12) **United States Design Patent**  
**Minneman et al.**

(10) **Patent No.:** **US D454,437 S**

(45) **Date of Patent:** **\*\* Mar. 19, 2002**

(54) **HUNTING SEAT**

(75) Inventors: **Steven W. Minneman**, Clayton; **Allen J. Minneman**, Union, both of OH (US)

(73) Assignee: **MTM Molded Products Company**, Dayton, OH (US)

(\*\*) Term: **14 Years**

(21) Appl. No.: **29/140,299**

(22) Filed: **Apr. 16, 2001**

(51) **LOC (7) Cl.** ..... **06-01**

(52) **U.S. Cl.** ..... **D6/349**

(58) **Field of Search** ..... D6/349-353, 355, D6/370, 484; 297/461, 462, 423.1, 195.11, 423.11, 423.39, 423.41, 423.42, 423.43

(56) **References Cited**

**U.S. PATENT DOCUMENTS**

4,216,933 A	8/1980	Cramer
D276,481 S	11/1984	Helmholdt
D276,575 S	12/1984	Helmholdt
D276,576 S	12/1984	Helmholdt
D277,143 S	1/1985	Helmholdt
4,550,835 A	11/1985	Lynch
4,602,698 A	7/1986	Grant
4,696,374 A	9/1987	Hale
D292,656 S	11/1987	Masterton
4,782,616 A	11/1988	Hambleton
D300,588 S	4/1989	White
D301,410 S	6/1989	Swilley
4,836,938 A	6/1989	Kobasic
D301,946 S	7/1989	Meyer
D302,495 S	8/1989	Hashihara
D303,182 S	9/1989	Soley
D303,327 S	9/1989	Masarotti
D303,888 S	10/1989	Stafford
D304,886 S	12/1989	Murry
D305,284 S	1/1990	Piretti
D305,285 S	1/1990	Piretti
D305,389 S	1/1990	Bellini
D306,531 S	3/1990	Snodgrass
D306,939 S	4/1990	Fink

D307,524 S	5/1990	Owen
D307,836 S	5/1990	Favaretto
D307,837 S	5/1990	Grant
D308,141 S	5/1990	Genova et al.
D308,144 S	5/1990	McCarthy
D308,145 S	5/1990	Hoff
D308,300 S	6/1990	Dozsa-Farkas
D308,301 S	6/1990	Dozsa-Farkas
D308,302 S	6/1990	Dozsa-Farkas
D308,303 S	6/1990	Dozsa-Farkas
D308,304 S	6/1990	Dozsa-Farkas
D308,305 S	6/1990	Snodgrass
D308,306 S	6/1990	Dozsa-Farkas
D308,604 S	6/1990	Verkerke
D308,605 S	6/1990	Uecker et al.
D308,770 S	6/1990	Frinier
D308,772 S	6/1990	Frinier
D309,222 S	7/1990	Lübke
D309,223 S	7/1990	Lübke
D309,385 S	7/1990	Buhk
D309,531 S	7/1990	Dozsa-Farkas
D309,532 S	7/1990	Dozsa-Farkas
D309,533 S	7/1990	Dozsa-Farkas
D309,534 S	7/1990	Dozsa-Farkas
D309,535 S	7/1990	Wilson

(List continued on next page.)

*Primary Examiner*—Janice E. Seeger  
(74) *Attorney, Agent, or Firm*—Jacox, Meckstroth & Jenkins

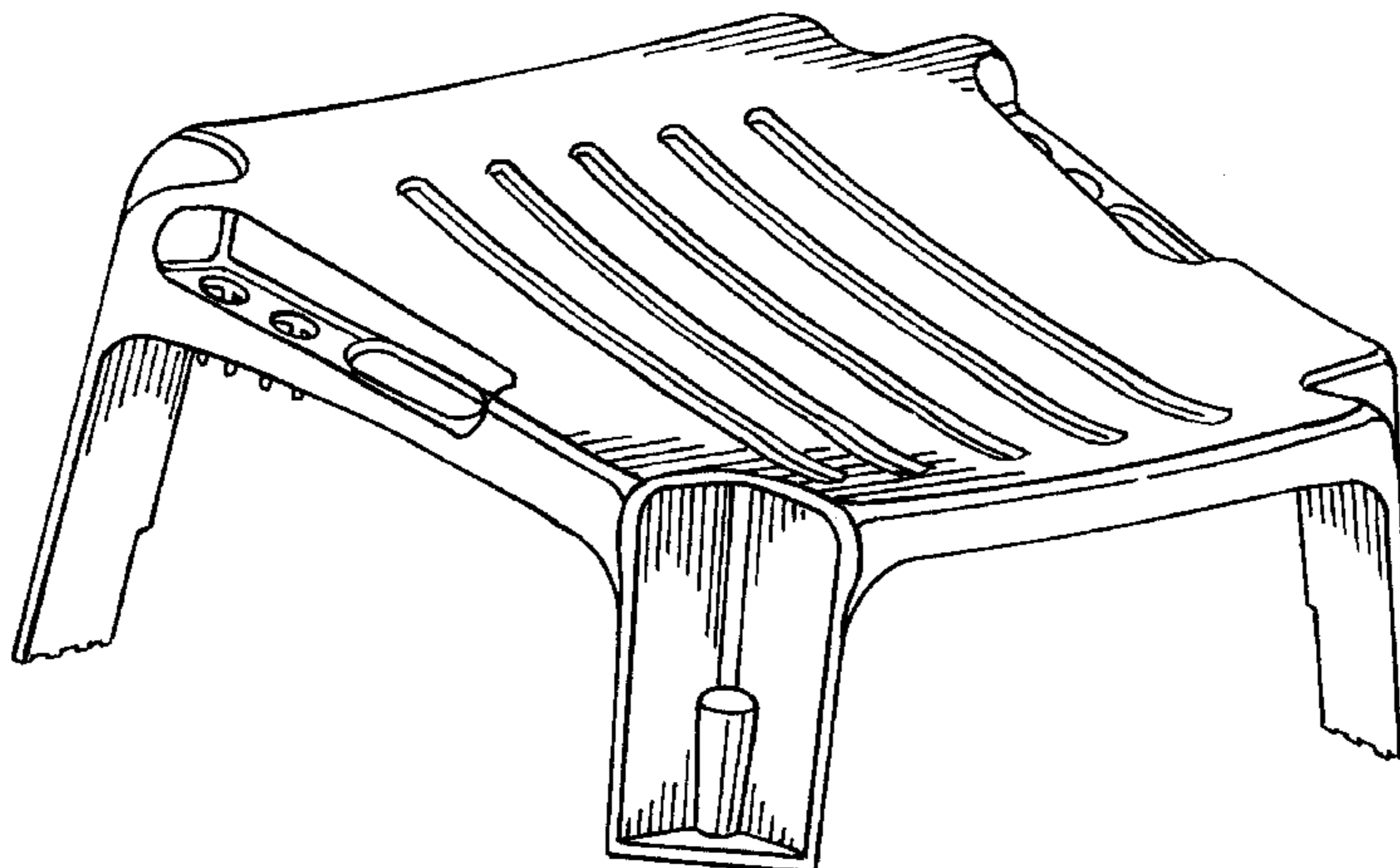
(57) **CLAIM**

The ornamental design for a hunting seat, as shown and described.

**DESCRIPTION**

FIG. 1 is a perspective view of the hunting seat; FIG. 2 is a perspective view of the hunting seat; FIG. 3 is a front view of the hunting seat; FIG. 4 is a rear view of the hunting seat; FIG. 5 is a right view of the hunting seat; FIG. 6 is a top view of the hunting seat; and, FIG. 7 is a bottom view of the hunting seat.

**1 Claim, 3 Drawing Sheets**



# US D454,437 S

Page 2

## U.S. PATENT DOCUMENTS

D309,837 S	8/1990	Dozsa-Farkas	D315,066 S	3/1991	Adams et al.	
D309,988 S	8/1990	Oscar	D315,259 S	3/1991	Hensel et al.	
D310,141 S	8/1990	Dozsa-Farkas	D316,192 S	4/1991	Murry et al.	
D310,605 S	9/1990	Kwon	D316,388 S	4/1991	Frinier	
D311,098 S	10/1990	Lee et al.	D316,491 S	4/1991	Frinier	
D311,286 S	10/1990	Muller-Deisig et al.	D319,740 S	9/1991	Hess	
D311,287 S	10/1990	Behringer	5,107,775 A	4/1992	Langlais et al.	
D311,460 S	10/1990	Greene	5,188,424 A	2/1993	Herron	
D311,461 S	10/1990	Lee et al.	D334,484 S	4/1993	Gibson	
D311,647 S	10/1990	Schwartz et al.	D334,673 S	4/1993	Robinson	
D311,824 S	11/1990	Schwartz et al.	D335,967 S	6/1993	Robinson et al.	
D312,003 S	11/1990	Muller-Deisig	5,228,327 A	7/1993	Hodgson, Sr.	
D312,005 S	11/1990	Snodgrass	5,287,643 A	2/1994	Arizpe-Gilmore	
D312,536 S	12/1990	Muller-Deisig	5,375,905 A	12/1994	Flitter et al.	
D313,893 S	1/1991	Hopfer	D357,361 S	* 4/1995	Karten et al. ....	D6/349
D313,897 S	1/1991	Crinion	D376,281 S	* 12/1996	Robertson .....	D6/484
D314,285 S	2/1991	Favaretto	D379,271 S	* 5/1997	Starck .....	D6/349
D314,474 S	2/1991	Schwartz	6,015,190 A	1/2000	Wend	
D314,676 S	2/1991	Hess	D426,078 S	6/2000	Lange, Jr.	
D314,872 S	2/1991	Engel				

\* cited by examiner

FIG-1

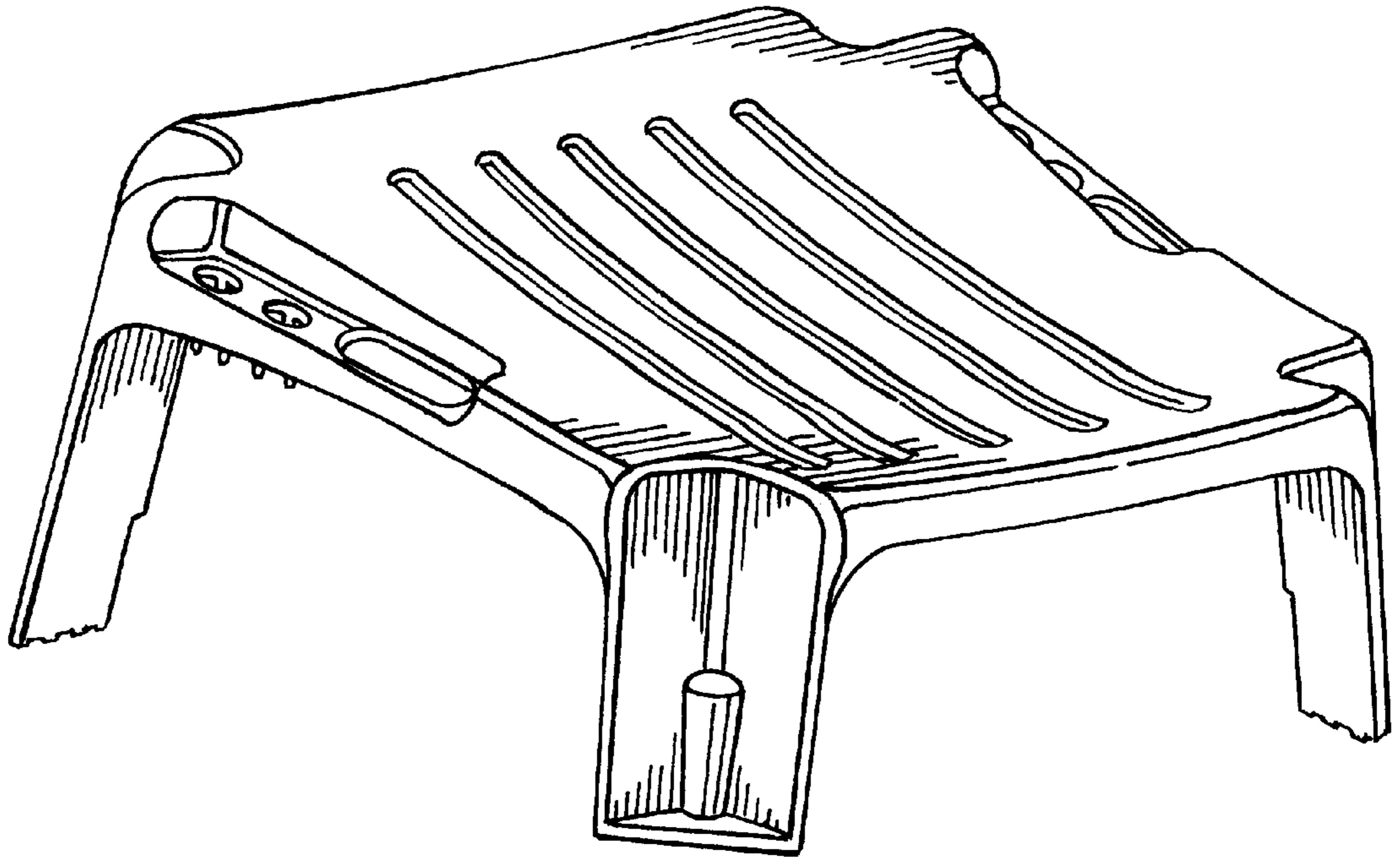


FIG-2

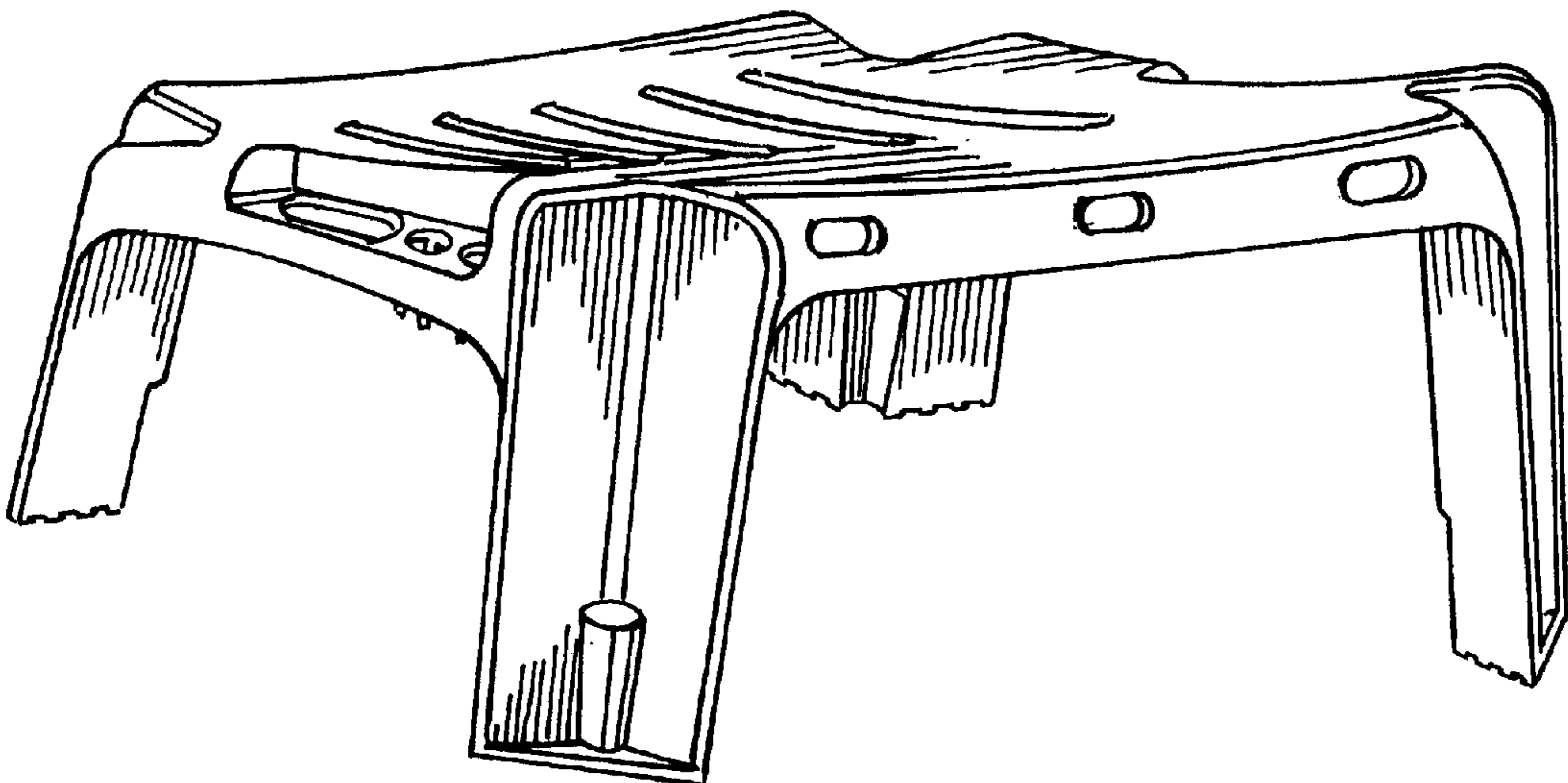


FIG-3

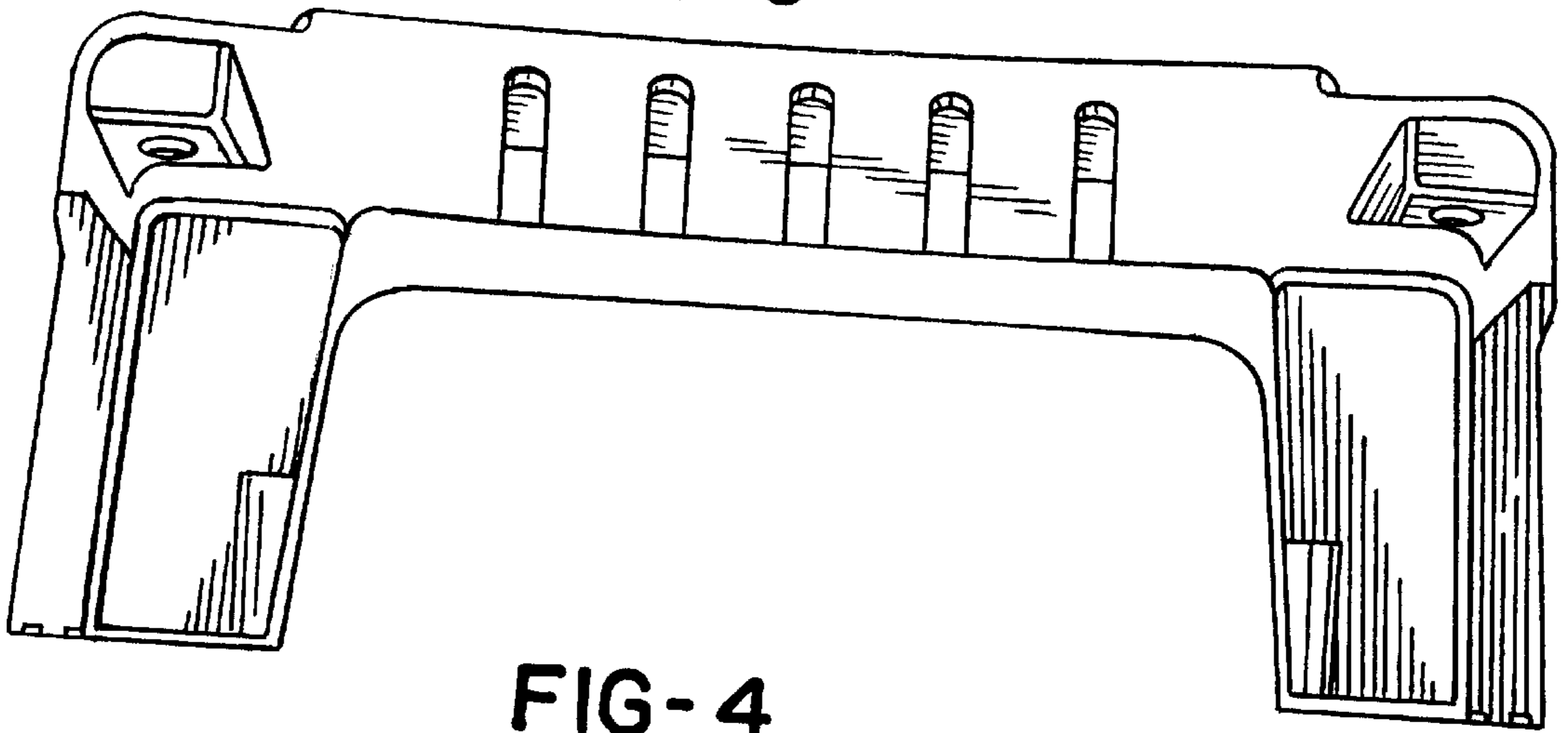


FIG-4

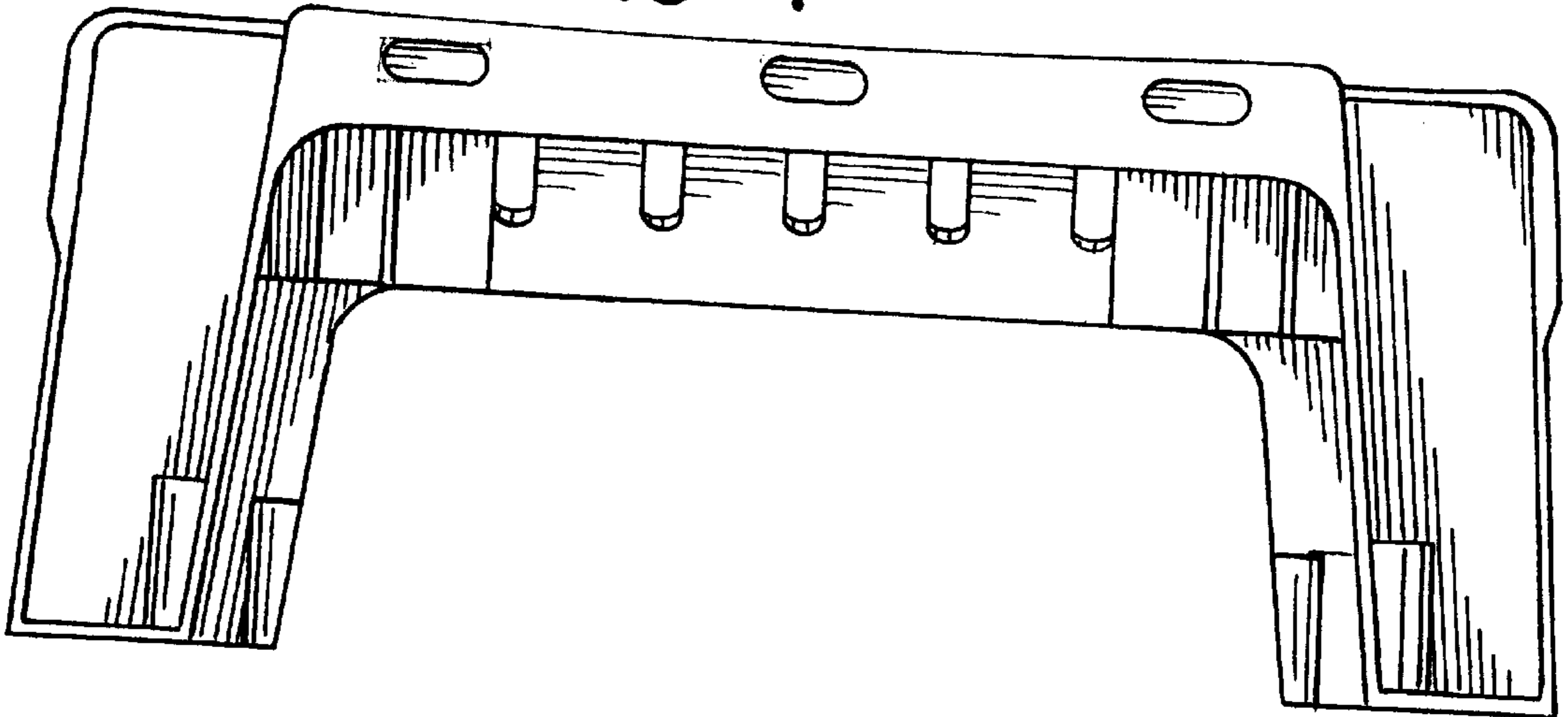


FIG-5

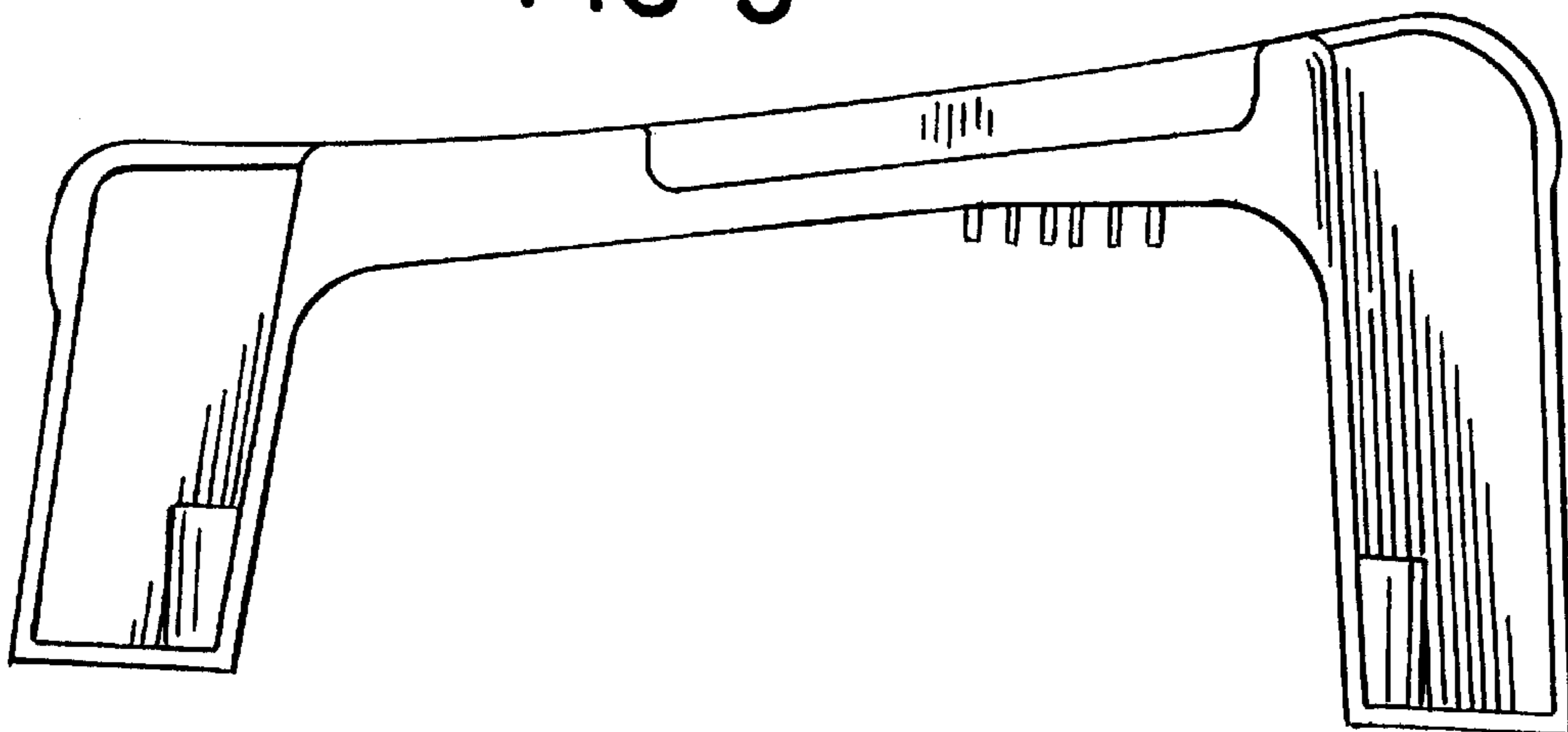


FIG-6

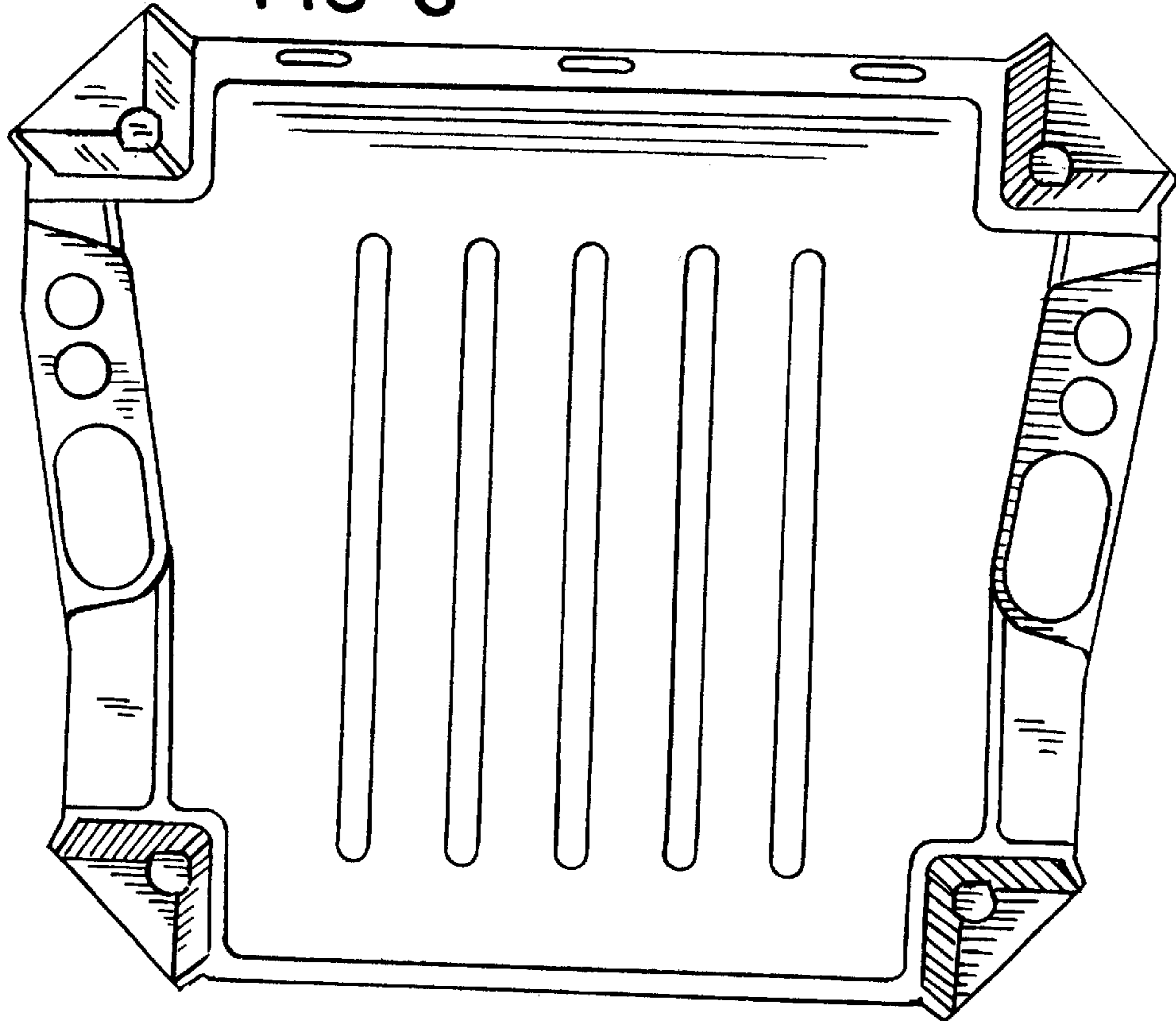


FIG-7

