



US00D454436S

(12) **United States Design Patent**
Shilling et al.

(10) **Patent No.: US D454,436 S**

(45) **Date of Patent: ** *Mar. 19, 2002**

(54) **TABLE**

(75) Inventors: **Jerry L. Shilling**, Syracuse; **Michael R. Schilling**, Pierceton; **David A. Reichard**, Warsaw, all of IN (US)

(73) Assignee: **Wabash Valley Manufacturing, Inc.**, Silver Lake, IN (US)

(*) Notice: This patent is subject to a terminal disclaimer.

(**) Term: **14 Years**

(21) Appl. No.: **29/092,712**

(22) Filed: **Aug. 25, 1998**

(51) **LOC (7) Cl. 06-01**

(52) **U.S. Cl. D6/337**

(58) **Field of Search** D6/334, 337, 369, D6/370, 500, 501, 502; 297/157.1, 158.3

(56) **References Cited**

U.S. PATENT DOCUMENTS

D165,710 S	1/1952	Currie et al.	
D182,822 S	* 5/1958	Kempner, Jr.	D6/337
2,917,108 A	* 12/1959	Moritz	297/158.3
D190,744 S	* 6/1961	Guice	297/158.3
D209,758 S	* 1/1968	Blink	D6/337
D222,806 S	1/1972	Wise	
D228,162 S	8/1973	Fink	
3,758,152 A	9/1973	Lake	
D231,963 S	7/1974	May	
3,847,424 A	11/1974	Nielsen	
3,910,631 A	10/1975	Inaba	
4,023,859 A	5/1977	Hagenson	
D277,442 S	2/1985	Crowell	
4,522,443 A	6/1985	Van Blankenburg	
D327,778 S	* 7/1992	Crawford	D6/337
D327,779 S	* 7/1992	Jensen et al.	D6/337
D357,590 S	* 4/1995	Noll	D6/337
D360,536 S	* 7/1995	Pelletier	D6/337
5,452,936 A	9/1995	Koehring	

OTHER PUBLICATIONS

1998 "Plastisol" Coated Furniture Catalog, Wabash Valley Mfg., Inc.

Vinyl Coated Steel Recreational Furniture 1998 Catalog, Diversified Metal Fabricators, Inc.

Superior Line Outdoor/Indoor Furniture 1996 Catalog, Fusion Coatings, Inc.

Specializing in Vinyl Coated Steel Recreational Furniture Catalog, Diversified Metal Fabricators, Inc., 12th Edition, Jan., 1996.

Recreation Catalog, Ken Coat, Inc., Dec. 1, 1995.

* cited by examiner

Primary Examiner—Doris V. Coles

Assistant Examiner—Mimosa De

(74) *Attorney, Agent, or Firm*—Bose McKinney & Evans

(57) **CLAIM**

The ornamental design for a table, as shown and described.

DESCRIPTION

FIG. 1 is a perspective view of a table, showing our new design;

FIG. 2 is a front elevational view thereof showing the table;

FIG. 3 is a right side elevational view thereof;

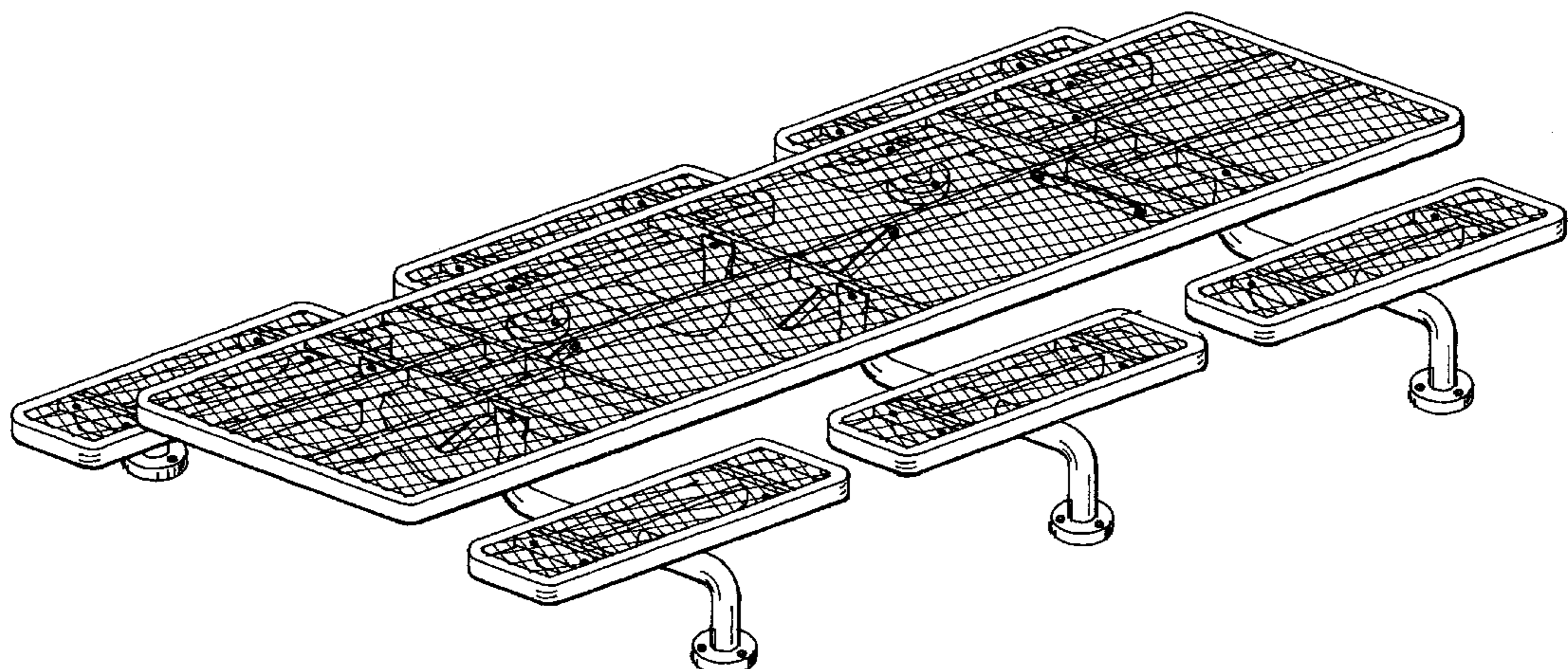
FIG. 4 is a rear elevational view thereof;

FIG. 5 is a left side elevational view thereof;

FIG. 6 is a top view thereof; and,

FIG. 7 is a bottom view thereof.

1 Claim, 5 Drawing Sheets



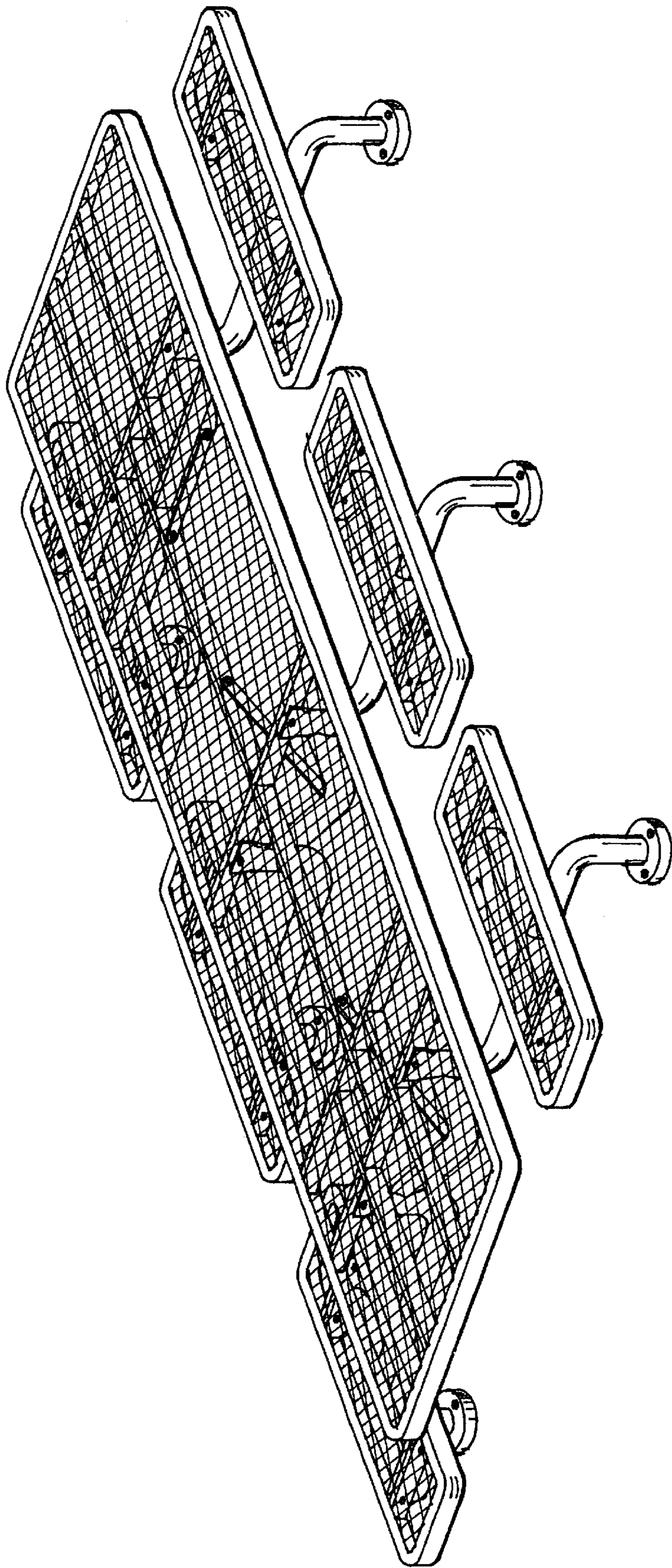


FIG. 1

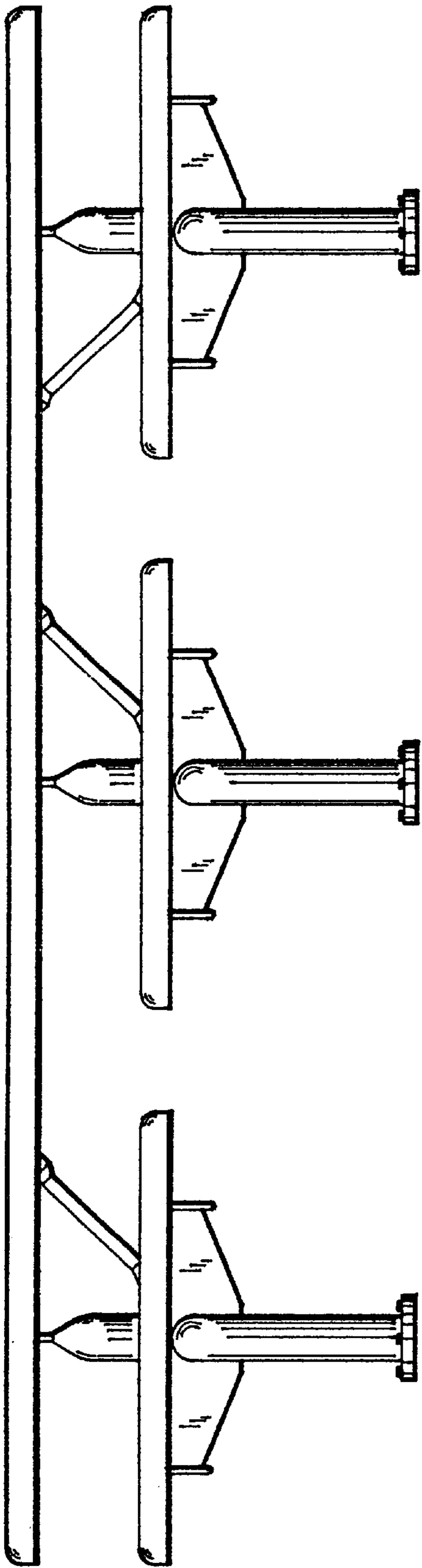


FIG. 2

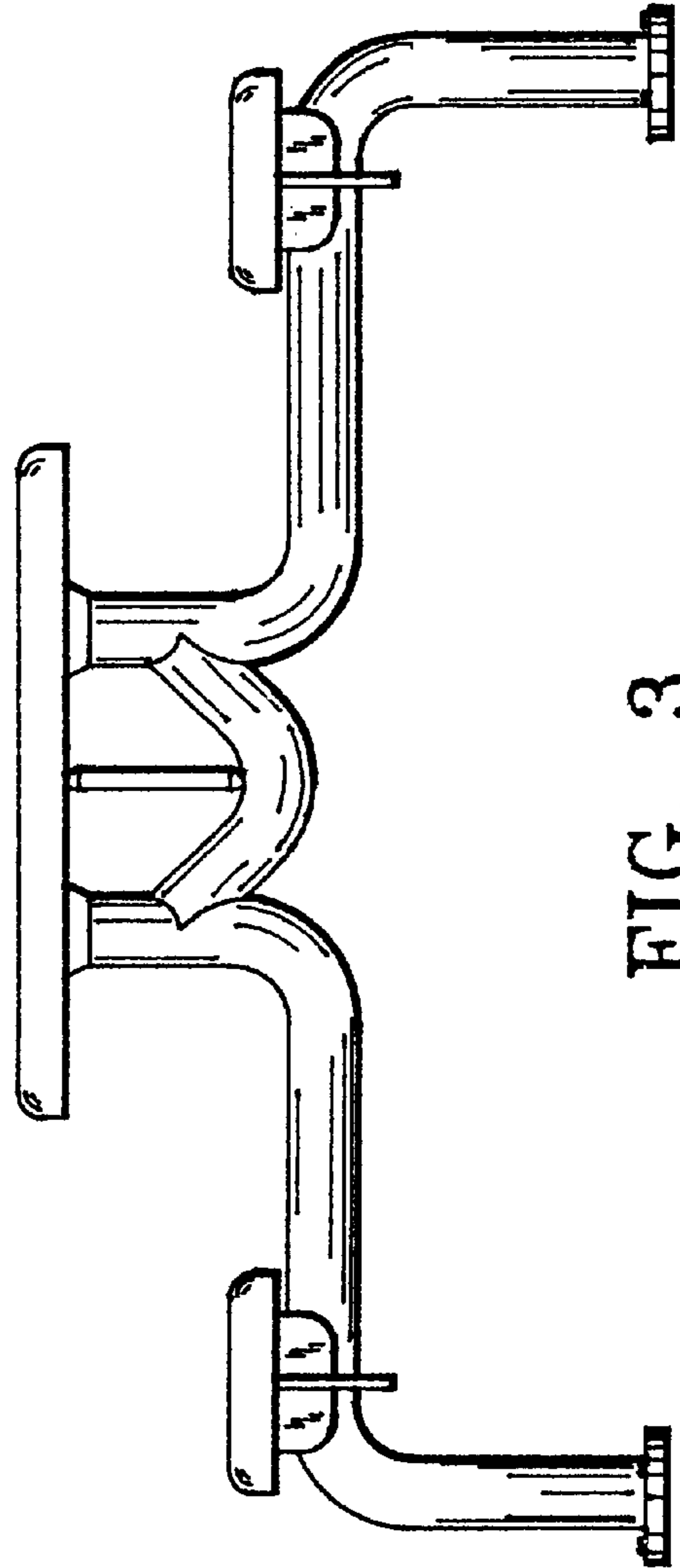


FIG. 3

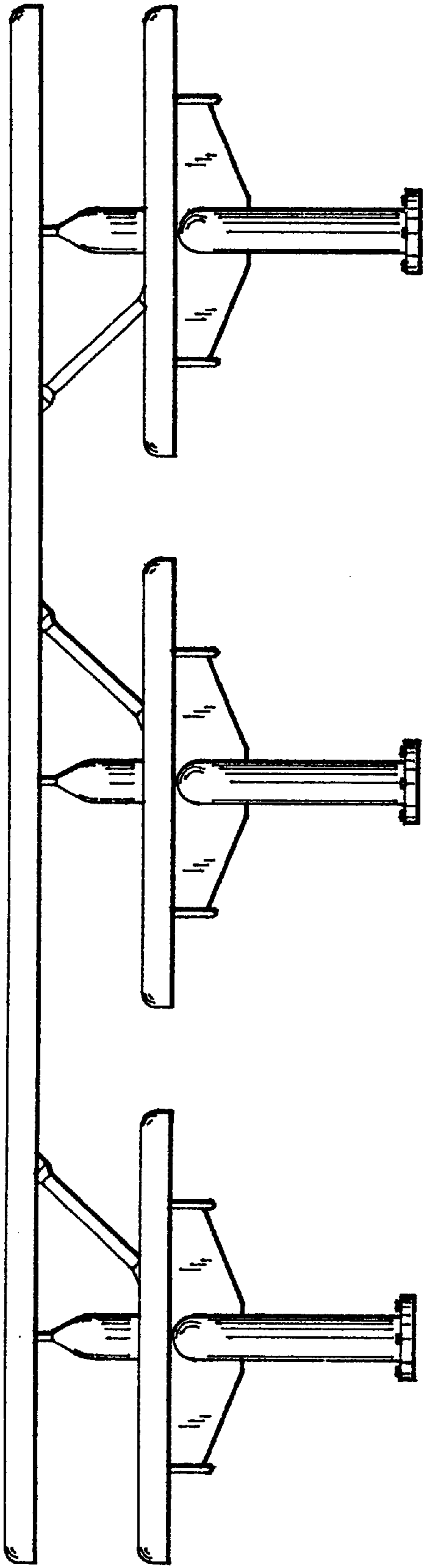


FIG. 4

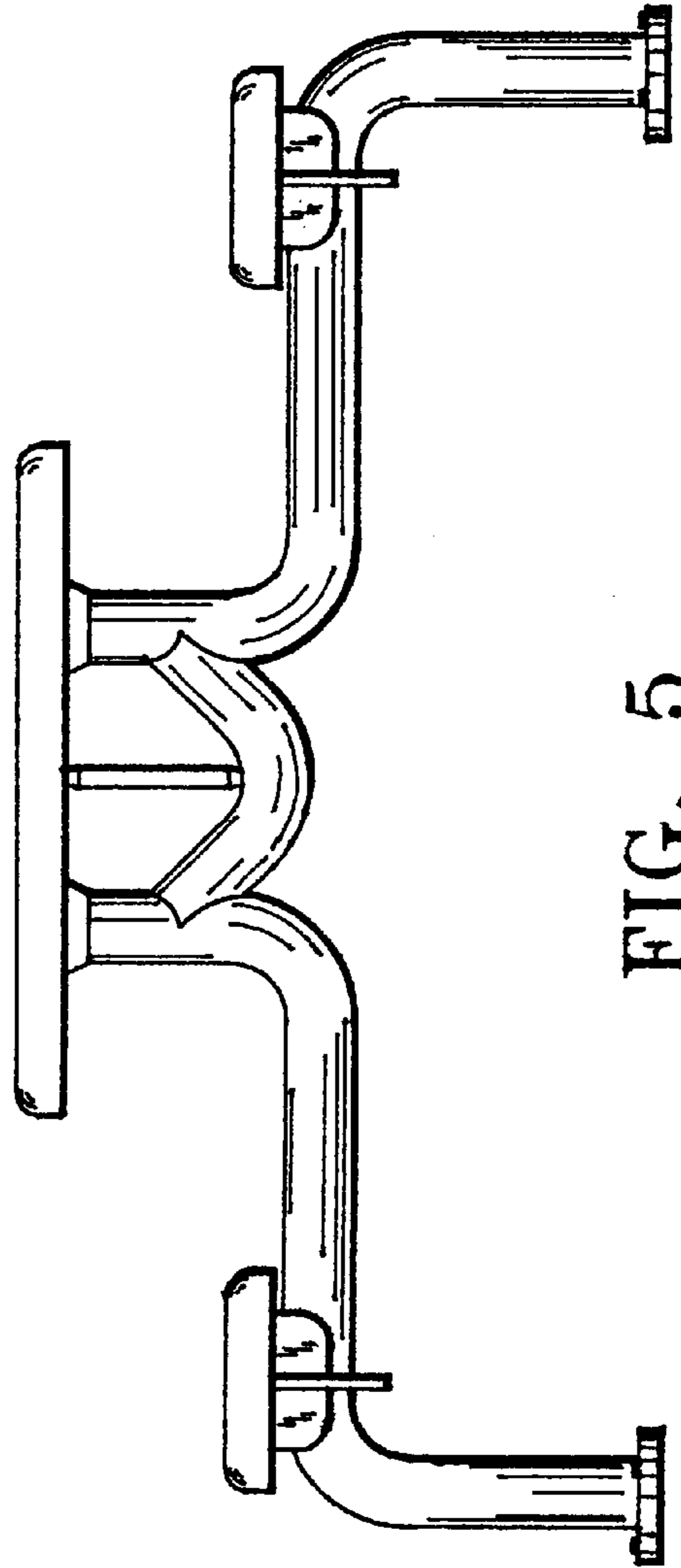


FIG. 5

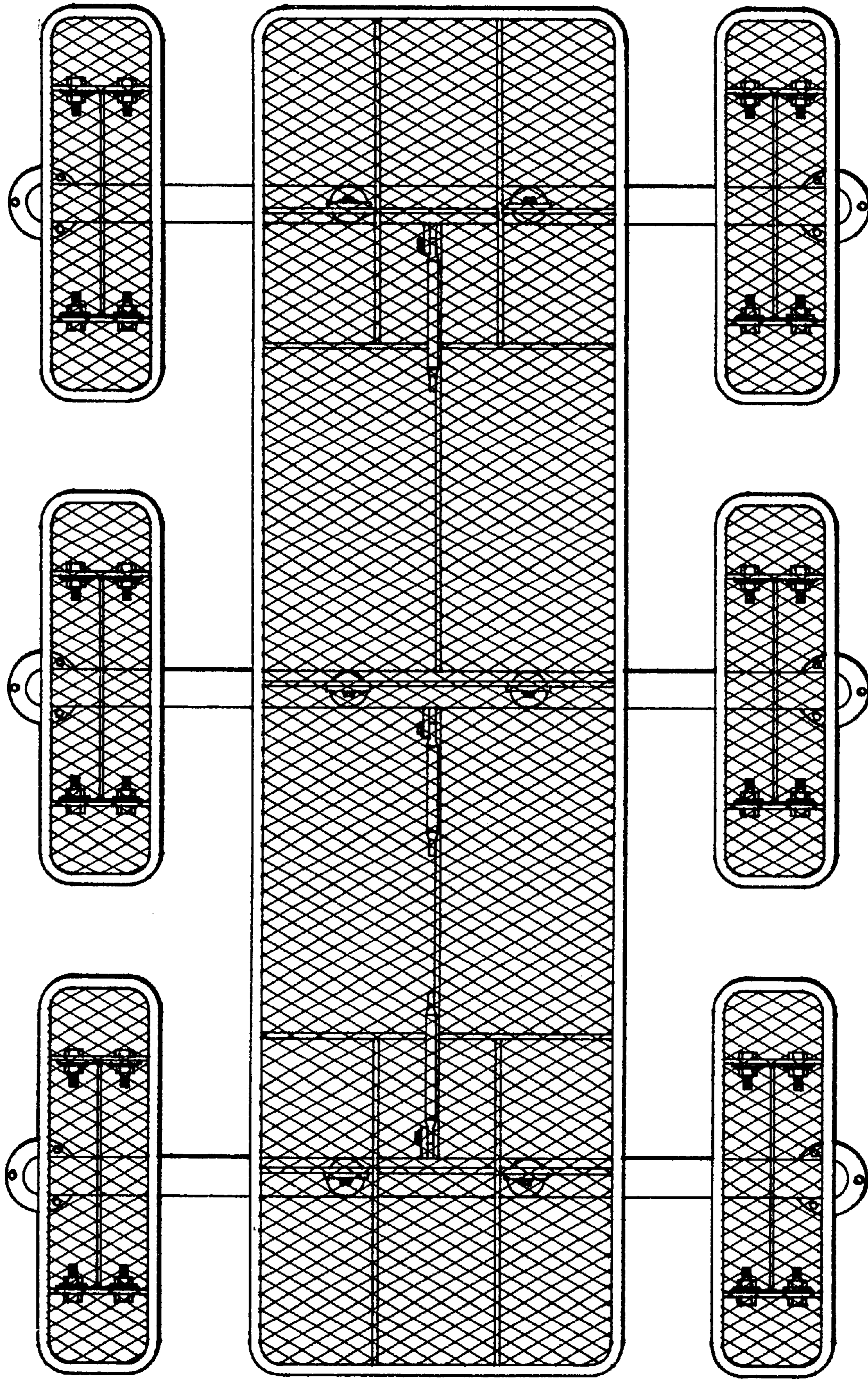


FIG. 6

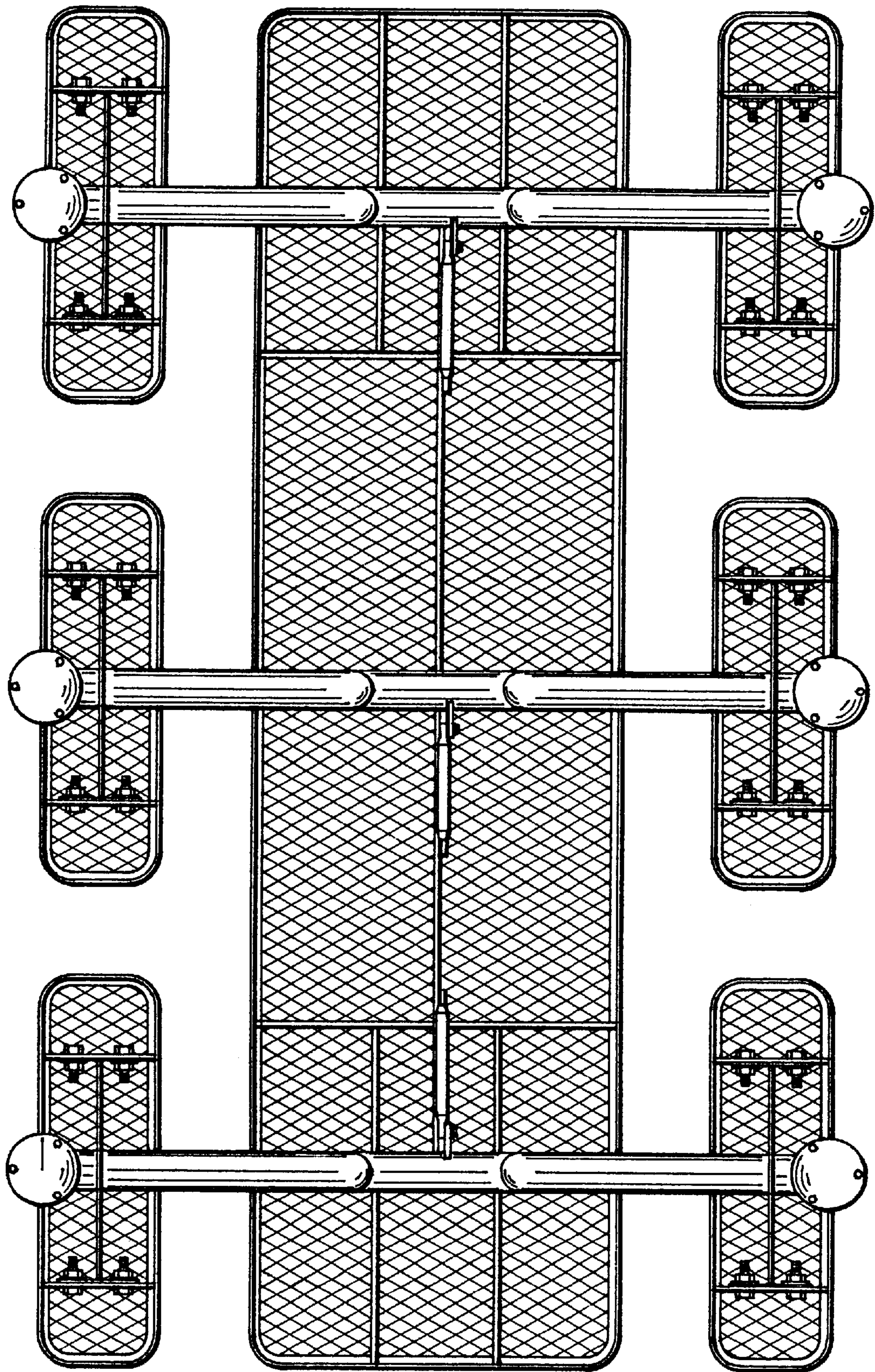


FIG. 7