



US00D454435S

(12) **United States Design Patent**  
**Willinger**

(10) **Patent No.:** **US D454,435 S**

(45) **Date of Patent:** **\*\* Mar. 19, 2002**

(54) **HANGER CLAMP**

(75) Inventor: **Jonathan Willinger**, Tenafly, NJ (US)

(73) Assignee: **Randy Hangers, LLC.**, East Rutherford, NJ (US)

(\*\*) Term: **14 Years**

(21) Appl. No.: **29/145,112**

(22) Filed: **Jul. 16, 2001**

(51) **LOC (7) Cl.** ..... **06-08**

(52) **U.S. Cl.** ..... **D6/328; D6/326**

(58) **Field of Search** ..... D6/326, 328; 24/500, 24/505; 223/90, 91, 93, 96; D32/61, 64

(56) **References Cited**

**U.S. PATENT DOCUMENTS**

D298,387 S	11/1988	Duester
D307,982 S	5/1990	Duester
5,082,153 A *	1/1992	Duester et al.
D334,096 S *	3/1993	Blanchard
D352,834 S	11/1994	Norman
D353,245 S *	12/1994	Tucker
D417,557 S *	12/1999	Blanchard
D435,173 S *	12/2000	Morgan et al.
D436,743 S *	1/2001	Batts et al.
D439,419 S *	3/2001	Zuckerman

\* cited by examiner

*Primary Examiner*—B. J. Bullock

(74) *Attorney, Agent, or Firm*—Rosenman & Colin LLP

(57) **CLAIM**

The ornamental design for a hanger clamp, as shown and described.

**DESCRIPTION**

FIG. 1 is a perspective view of a hanger clamp in the open position showing my new design, the rest of the hanger being shown in broken lines for illustrative purposes only;

FIG. 2 is a front elevation view thereof;

FIG. 3 is a rear elevation view thereof;

FIG. 4 is a side elevation view thereof;

FIG. 5 is a bottom view thereof;

FIG. 6 is a top view thereof;

FIG. 7 is a perspective view of a hanger clamp in the closed position showing my new design, the rest of the hanger being shown in broken lines for illustrative purposes only;

FIG. 8 is a front elevation view thereof;

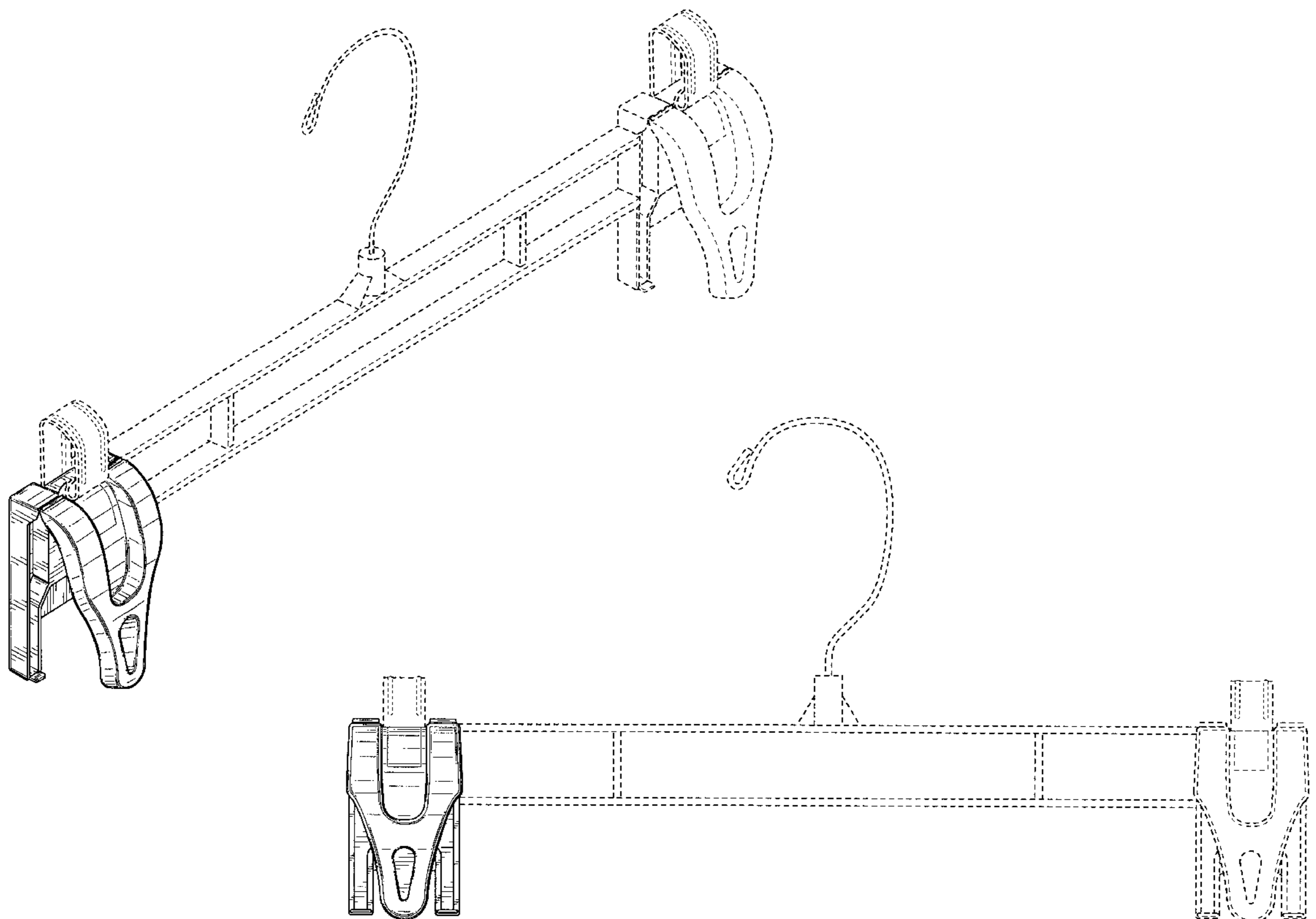
FIG. 9 is a rear elevation view thereof;

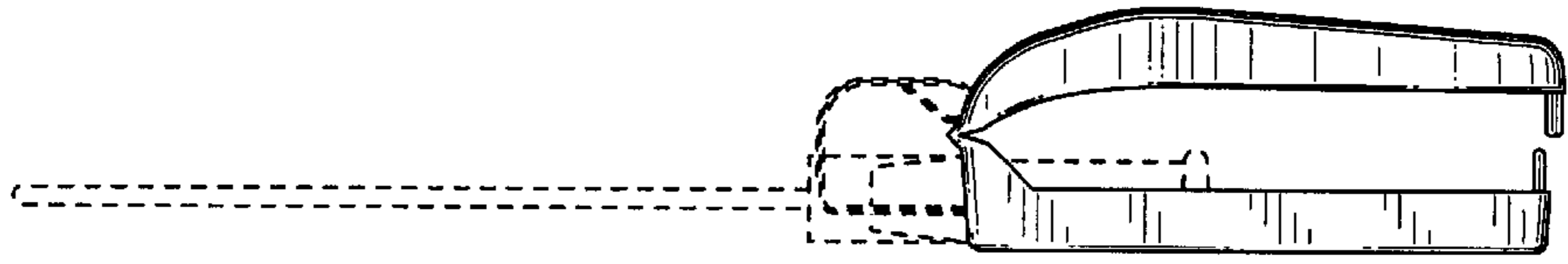
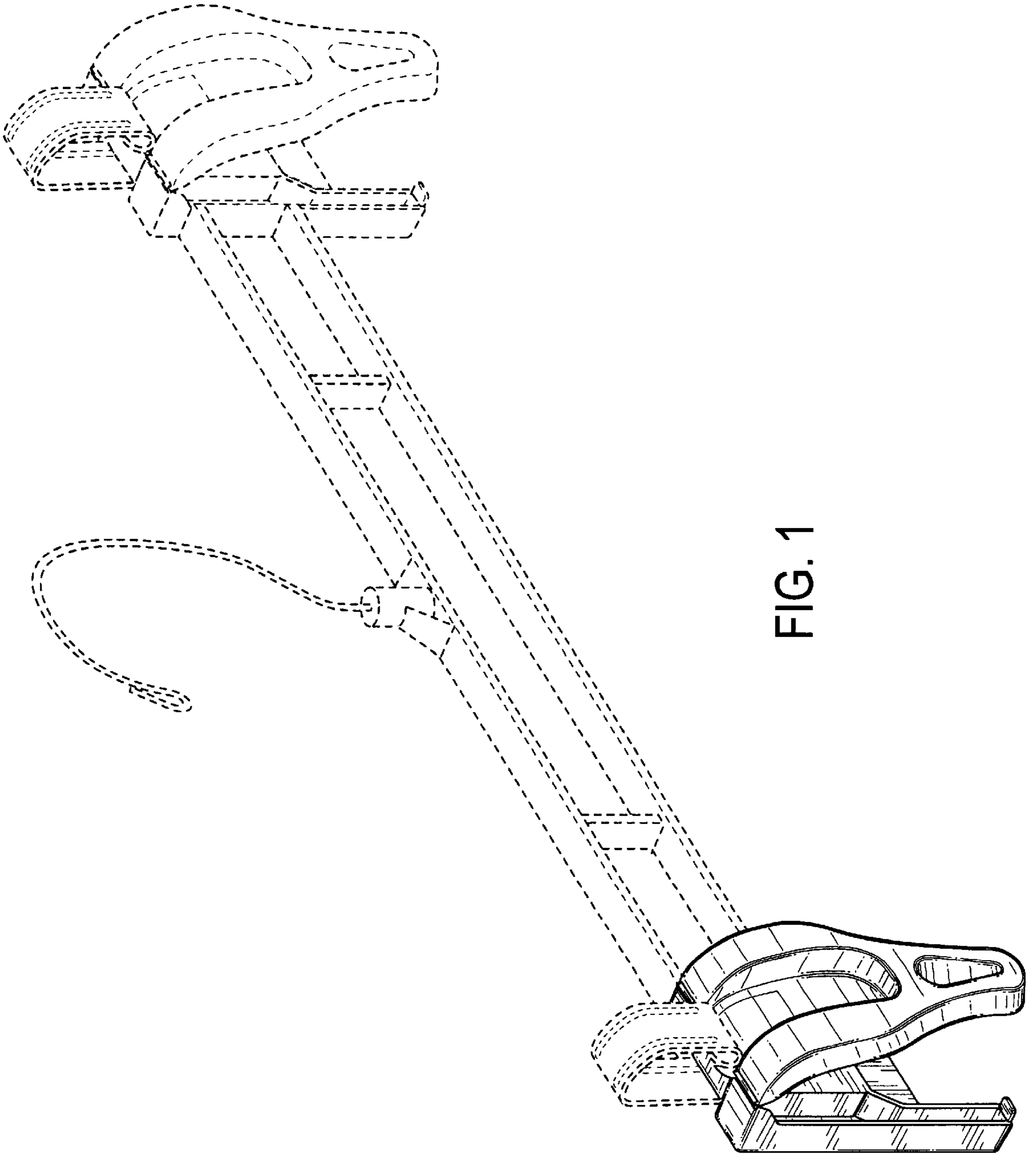
FIG. 10 is a side elevation view thereof;

FIG. 11 is a bottom view thereof; and,

FIG. 12 is a top view thereof.

**1 Claim, 8 Drawing Sheets**





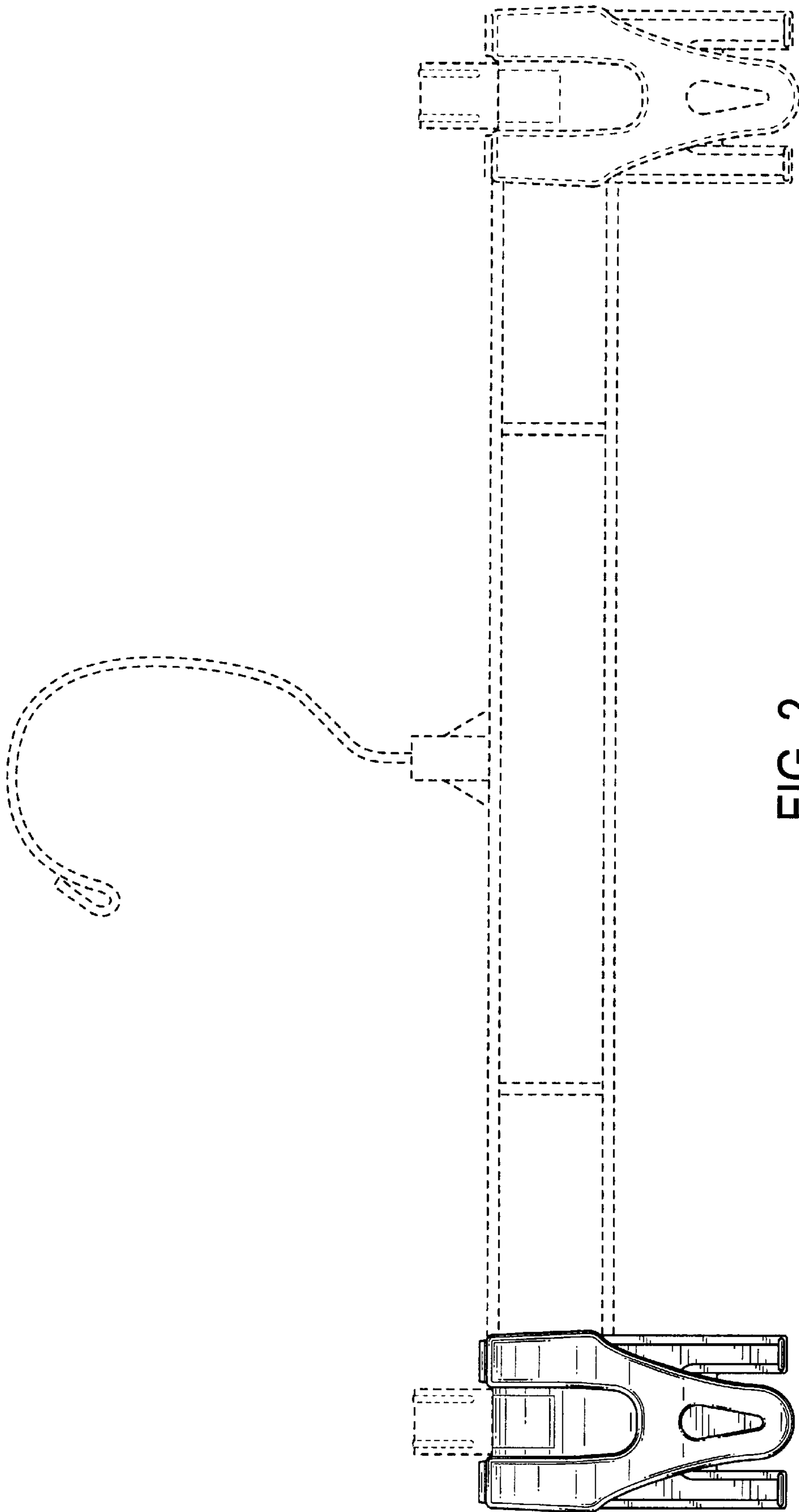


FIG. 2

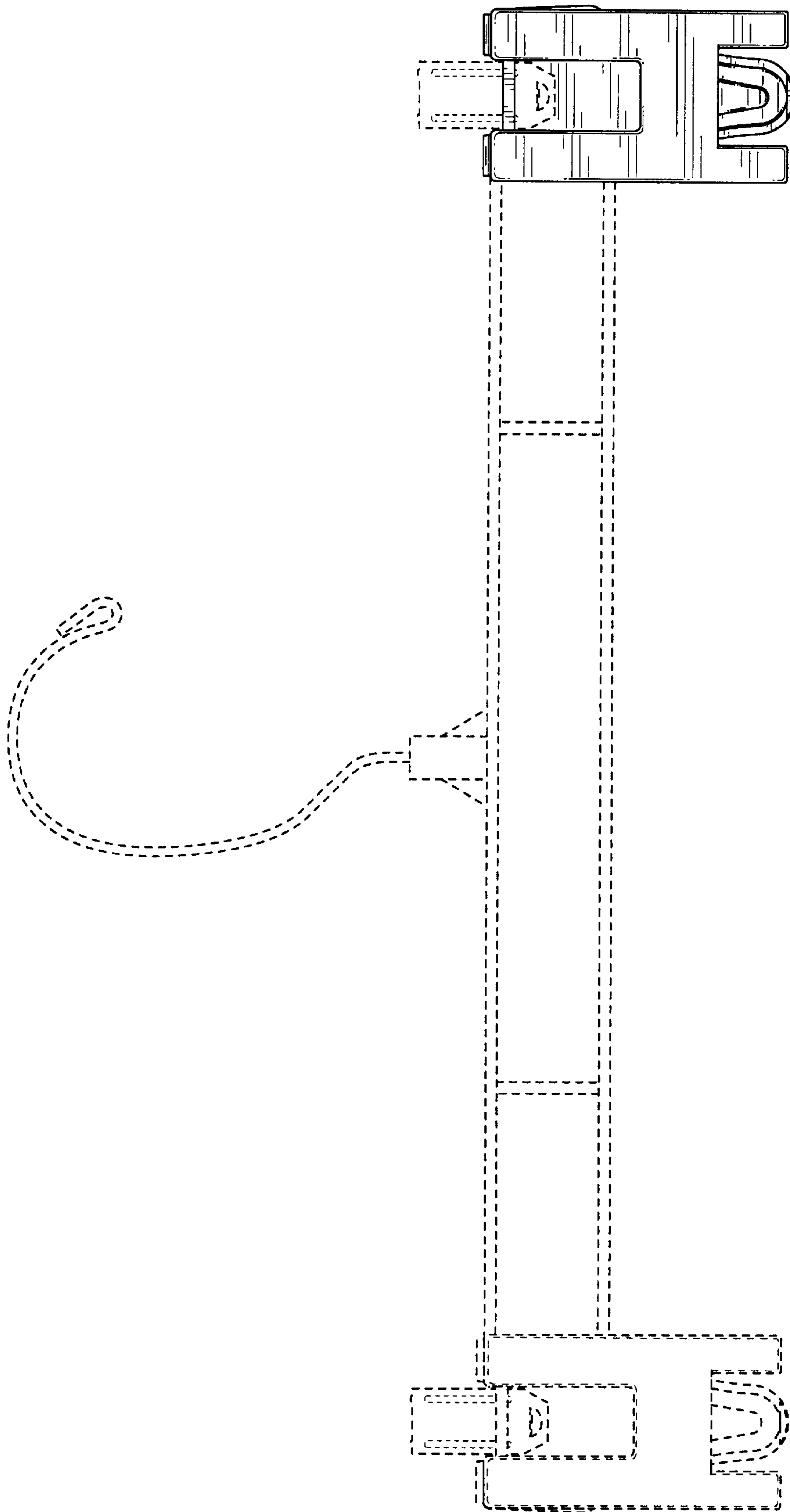


FIG. 3

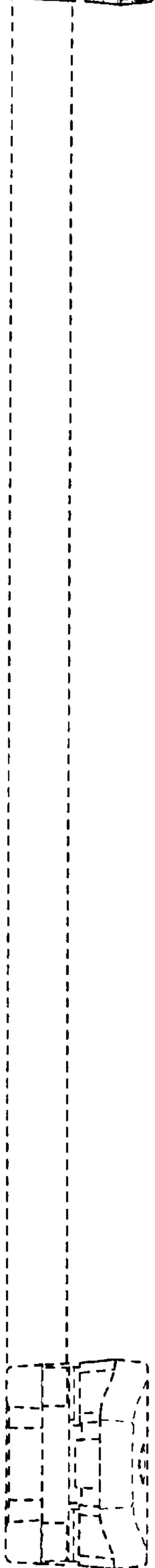
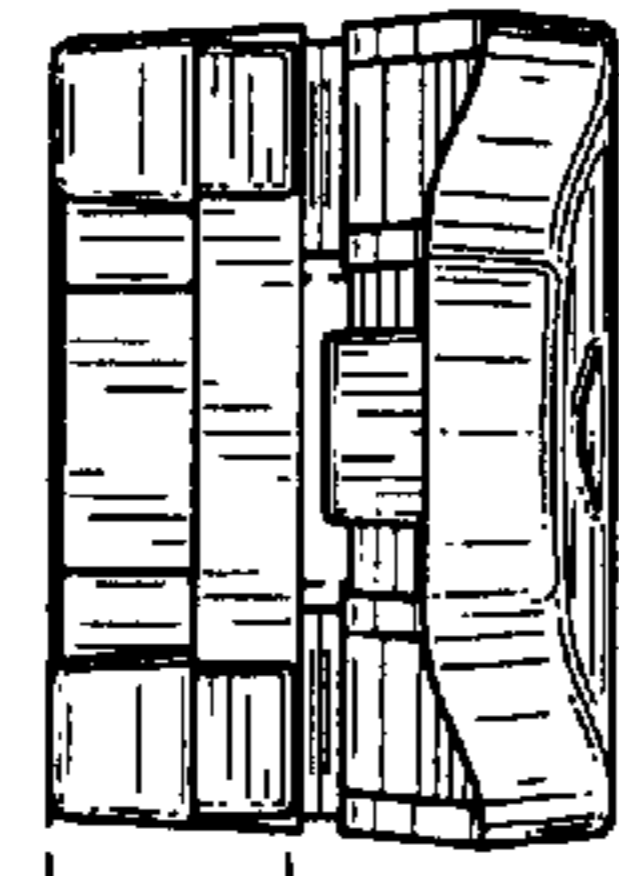


FIG. 5

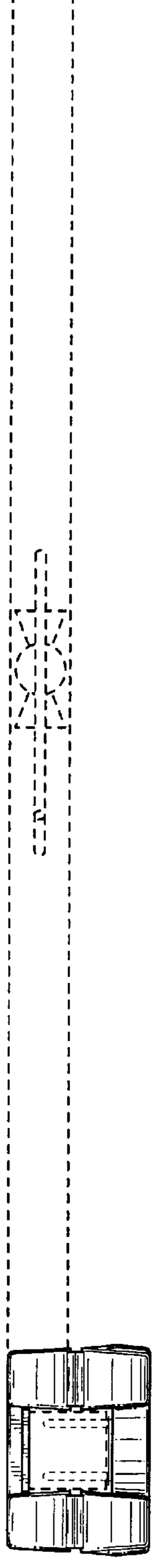
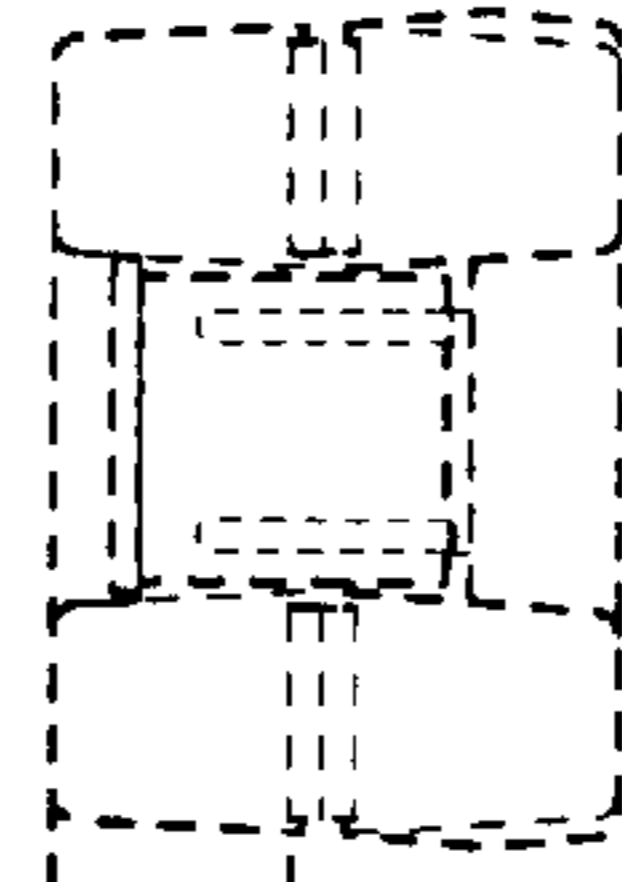


FIG. 6

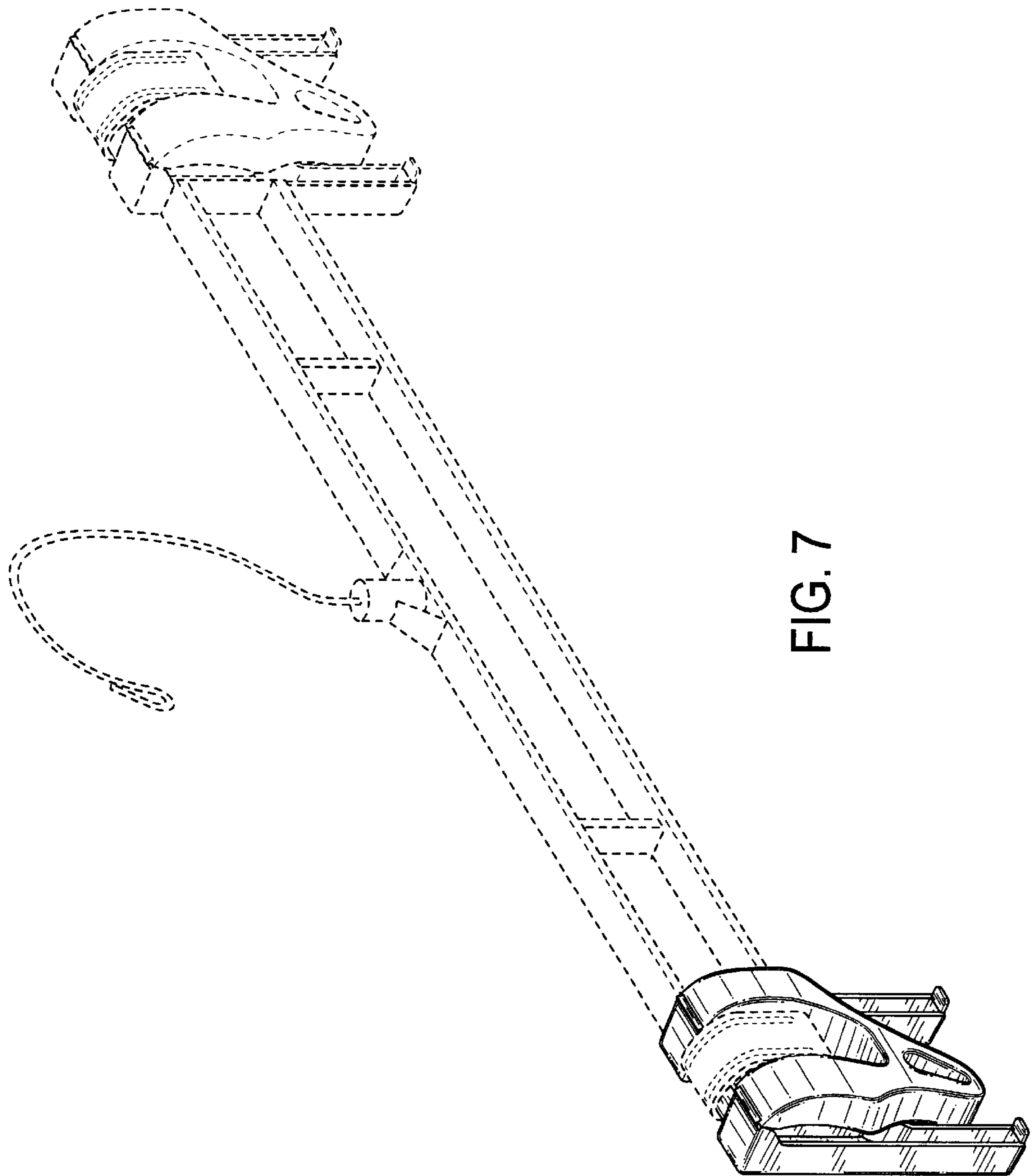


FIG. 7

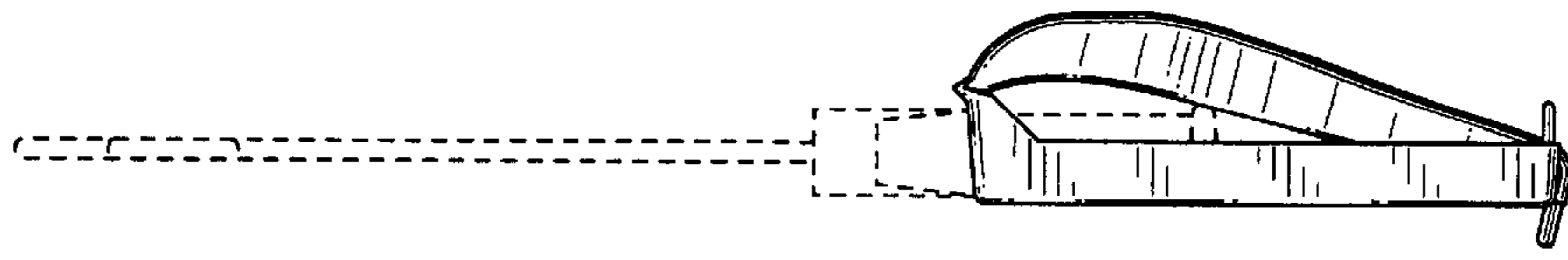


FIG. 10

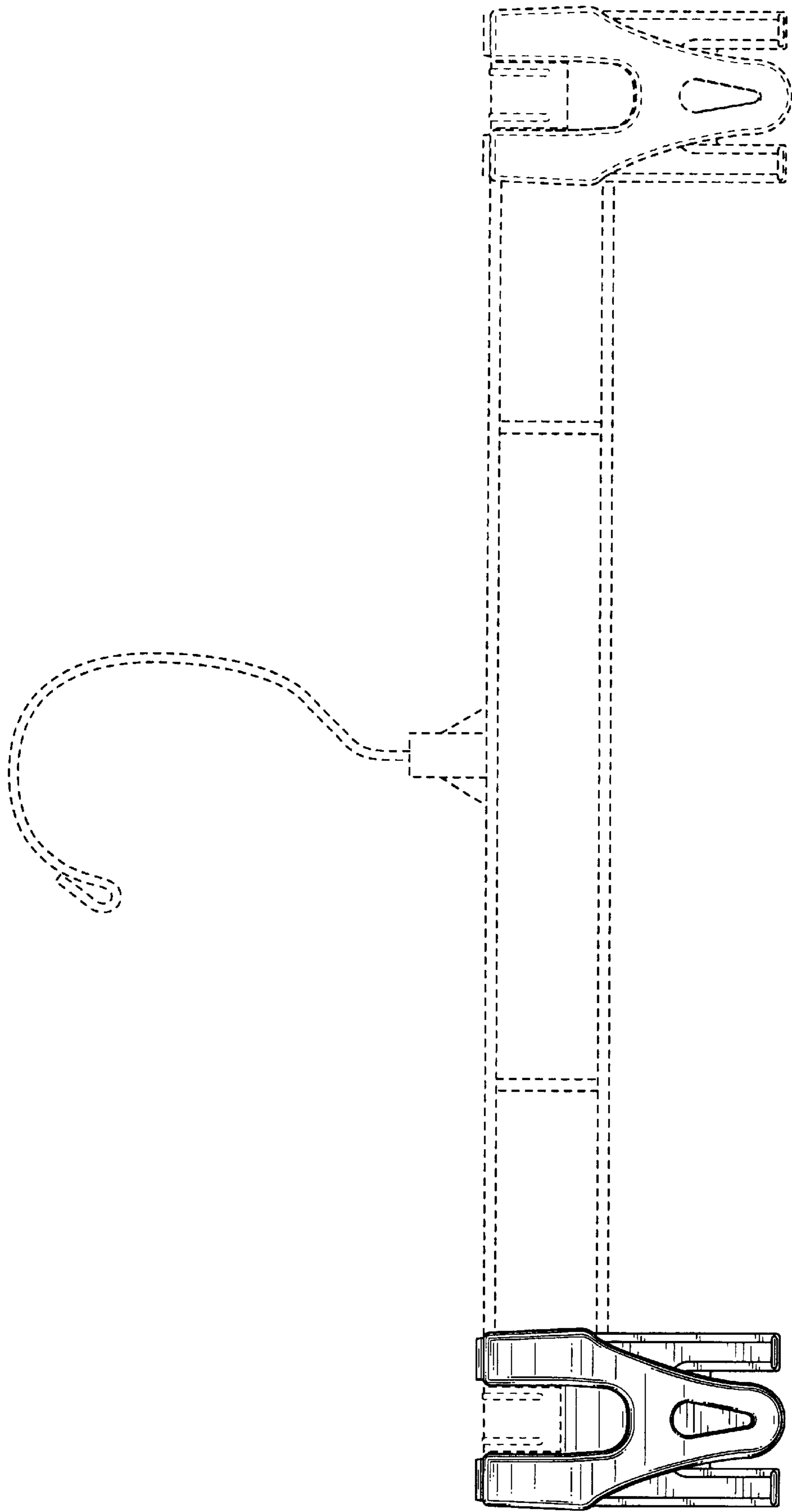


FIG. 8

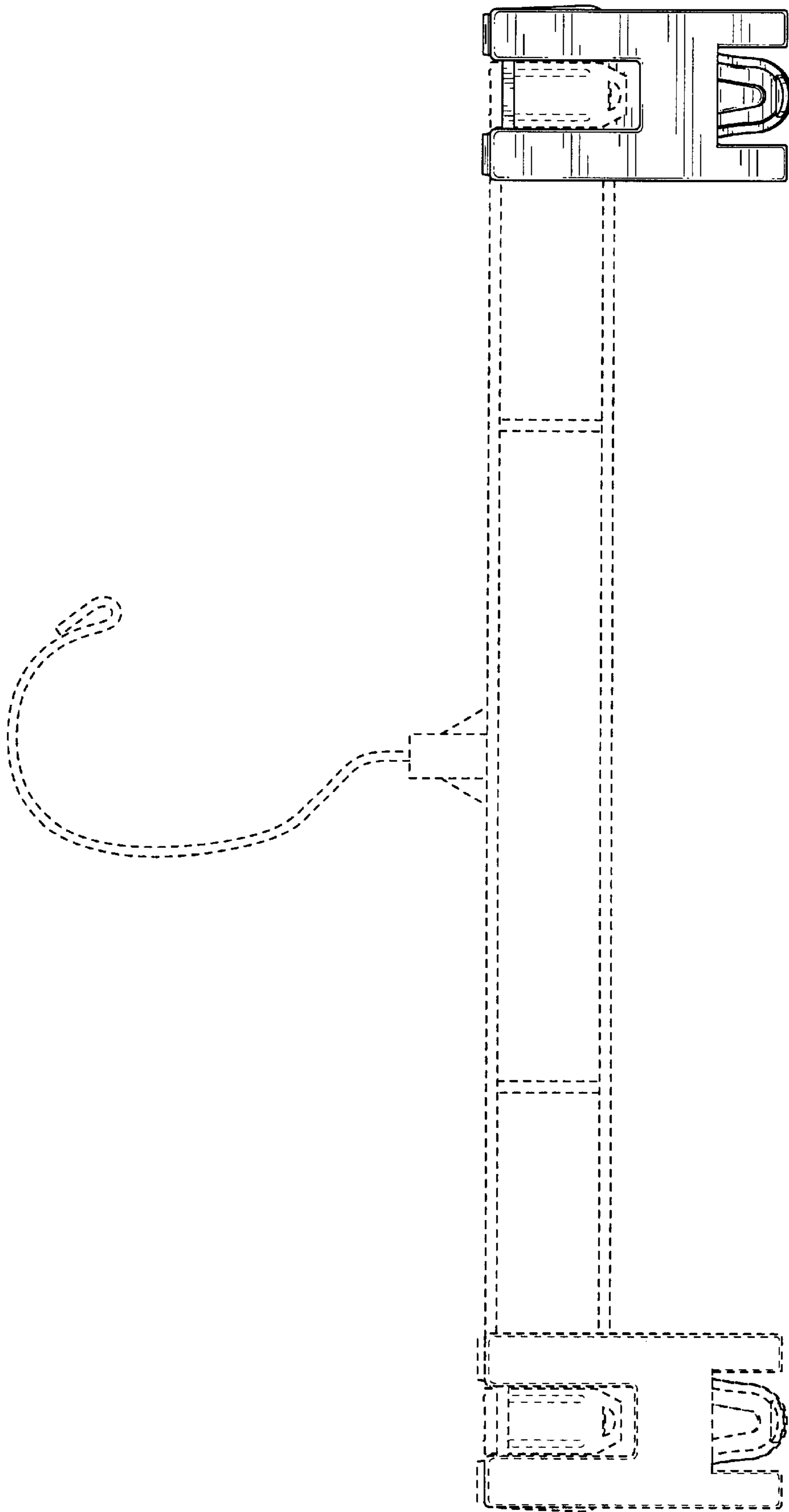


FIG. 9



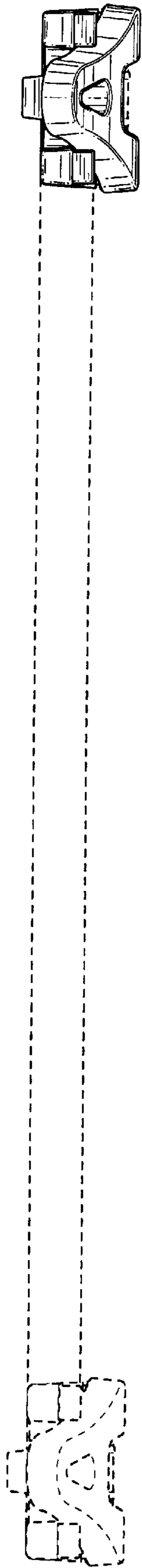


FIG. 11

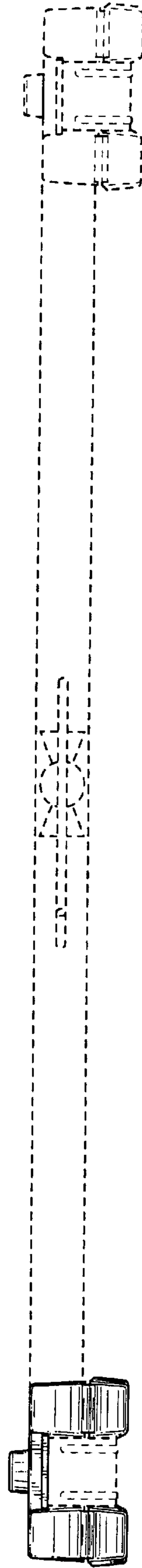


FIG. 12