



US00D454429S

(12) **United States Design Patent**
Hussaini et al.

(10) **Patent No.:** **US D454,429 S**

(45) **Date of Patent:** **** Mar. 19, 2002**

(54) **STORAGE CASE**

D400,011 S * 10/1998 Palmer et al. D3/294
D423,772 S * 5/2000 Cooper et al. D3/201

(75) Inventors: **Saied Hussaini; Marc Iacovelli**, both
of Miami, FL (US)

* cited by examiner

(73) Assignee: **Intec, Inc.**, Miami, FL (US)

Primary Examiner—Lucy Lieberman

(**) Term: **14 Years**

(74) *Attorney, Agent, or Firm*—Liniak, Berenato, Longacre
& White

(21) Appl. No.: **29/148,458**

(57) **CLAIM**

(22) Filed: **Sep. 21, 2001**

The ornamental design for a storage case, as shown and
described.

(51) **LOC (7) Cl.** **03-01**

DESCRIPTION

(52) **U.S. Cl.** **D3/274; D3/294**

(58) **Field of Search** D3/294, 201, 219,
D3/203, 204, 205, 206, 263, 265, 274,
273, 901, 903, 904, 328; 206/315.1; 220/636,
729, 694

FIG. 1 is a Top View of the storage case according to the
present invention.

FIG. 2 is a bottom view of the storage case of FIG. 1.

FIG. 3 is a front view of the storage case of FIG. 1.

FIG. 4 is a rear view of the storage case of FIG. 1.

FIG. 5 is a right side view of the storage case of FIG. 1.

FIG. 6 is a left side view of the storage case of FIG. 1; and,

FIG. 7 is a front perspective view of the storage case of FIG.
1.

(56) **References Cited**

U.S. PATENT DOCUMENTS

D259,596 S * 6/1981 Gray D3/294
D316,932 S * 5/1991 Escher, Jr. D3/294
D350,231 S * 9/1994 Giegerich 206/315.1

1 Claim, 4 Drawing Sheets

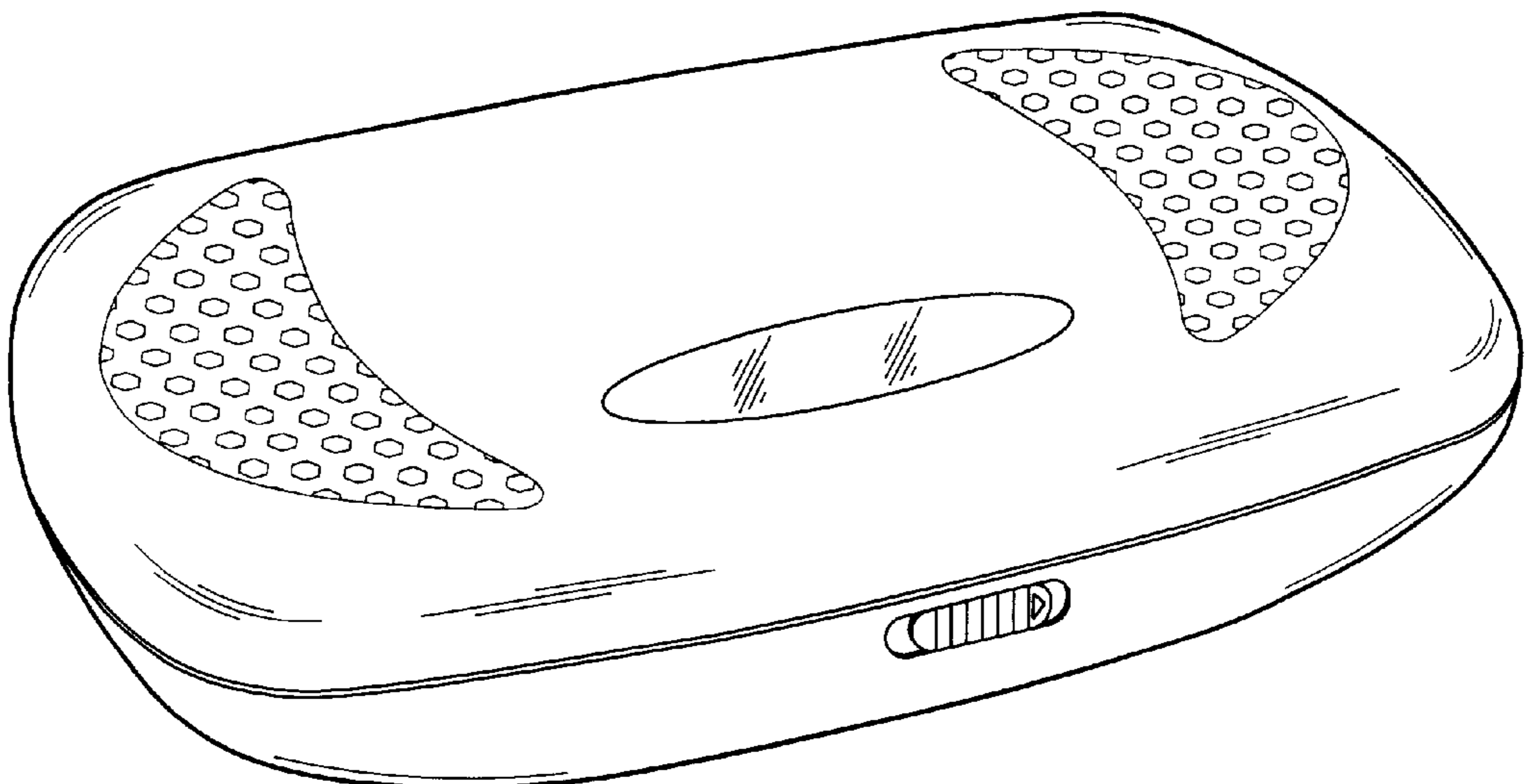
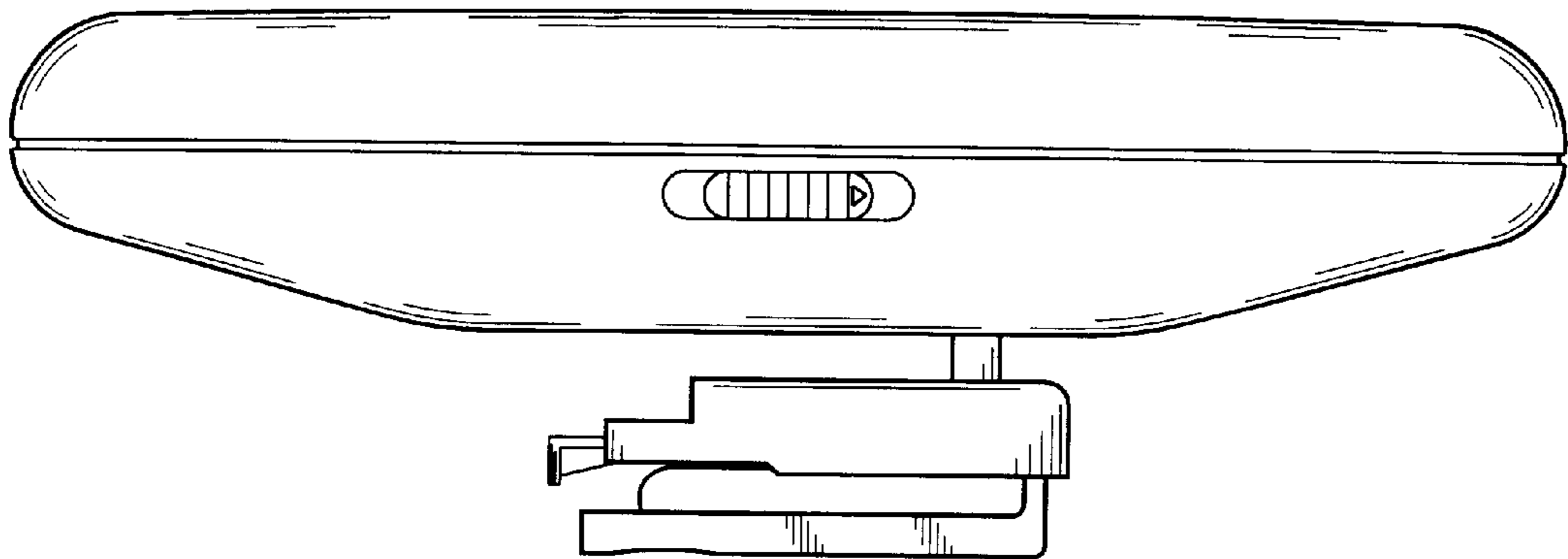


Fig. 1

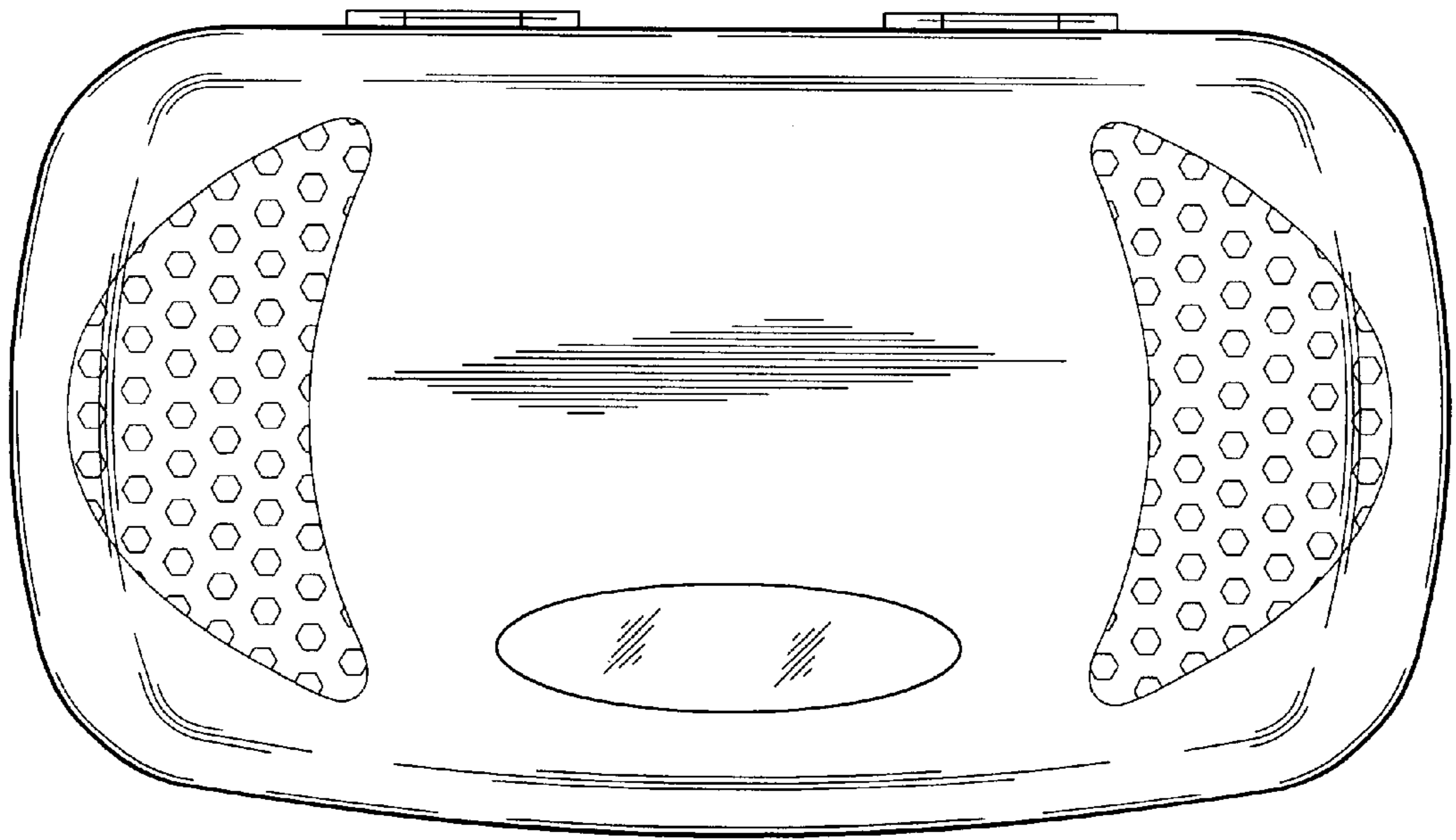


Fig. 2

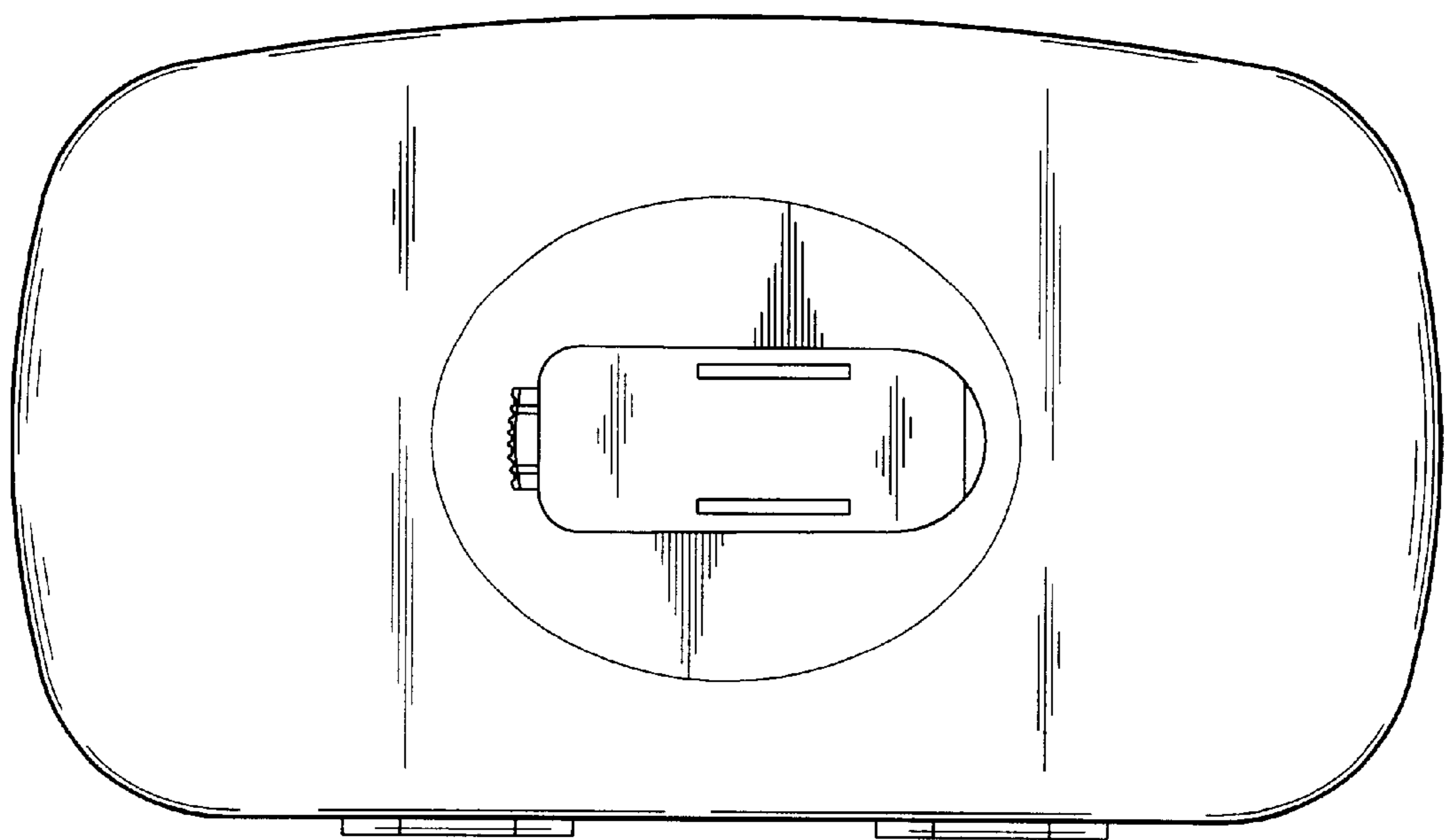


Fig. 3

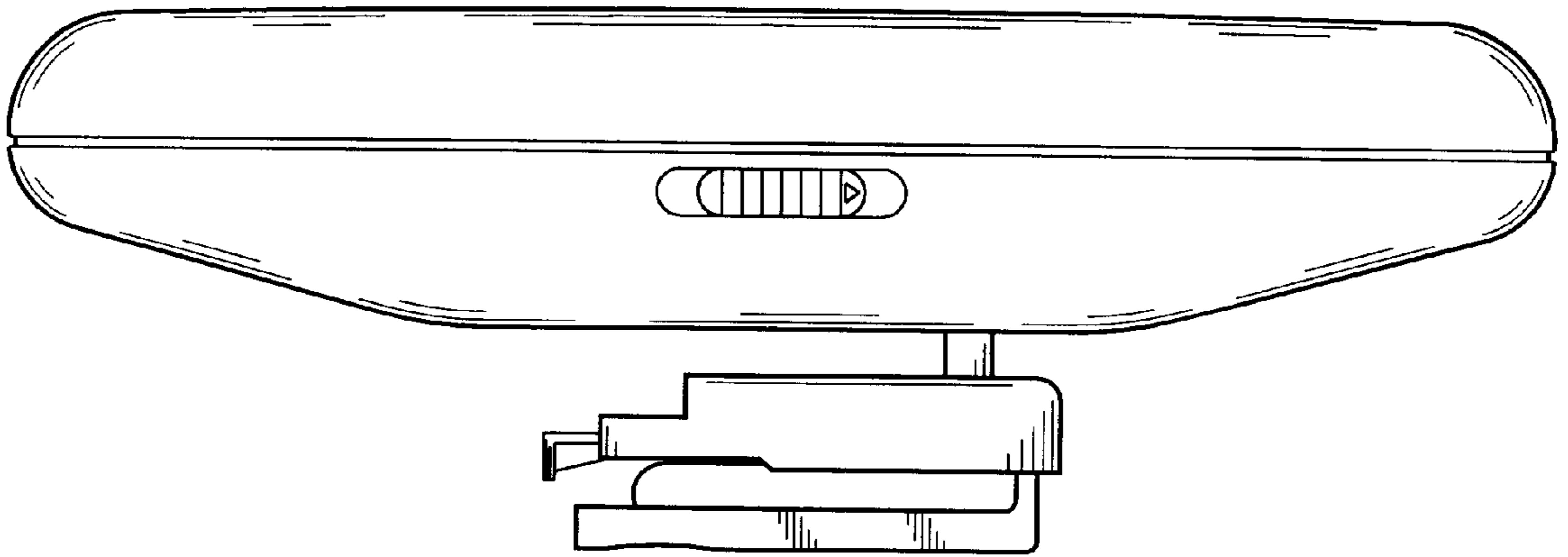


Fig. 4

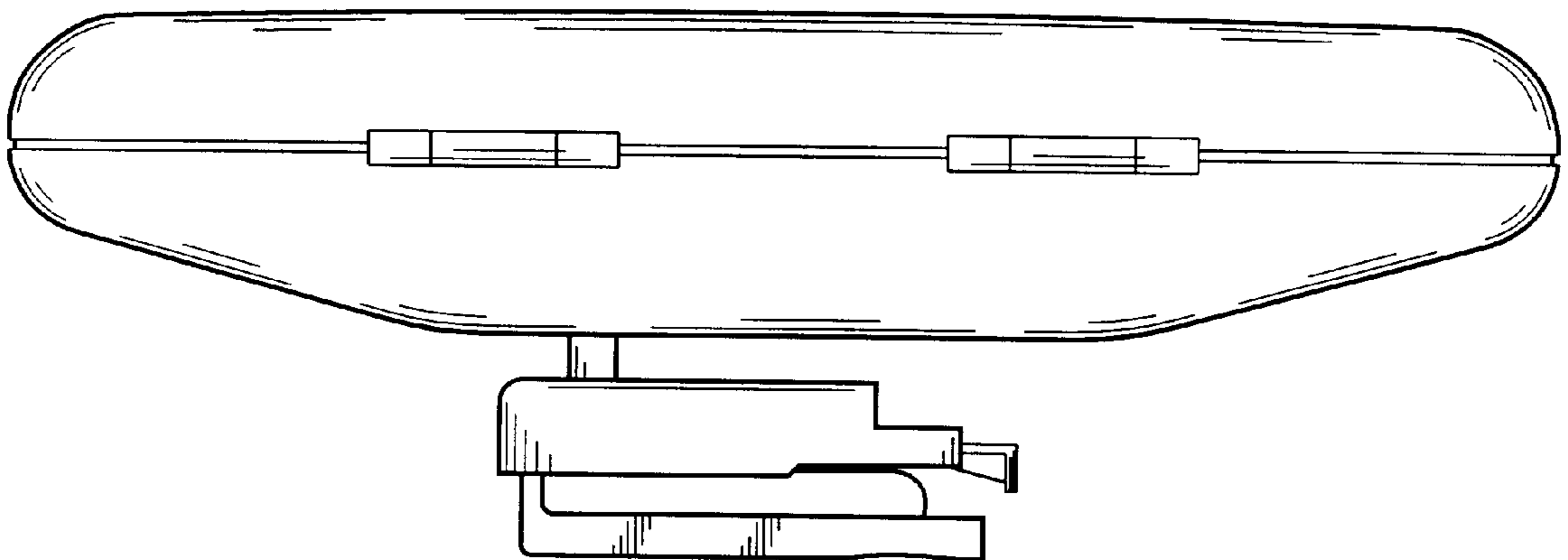


Fig. 5

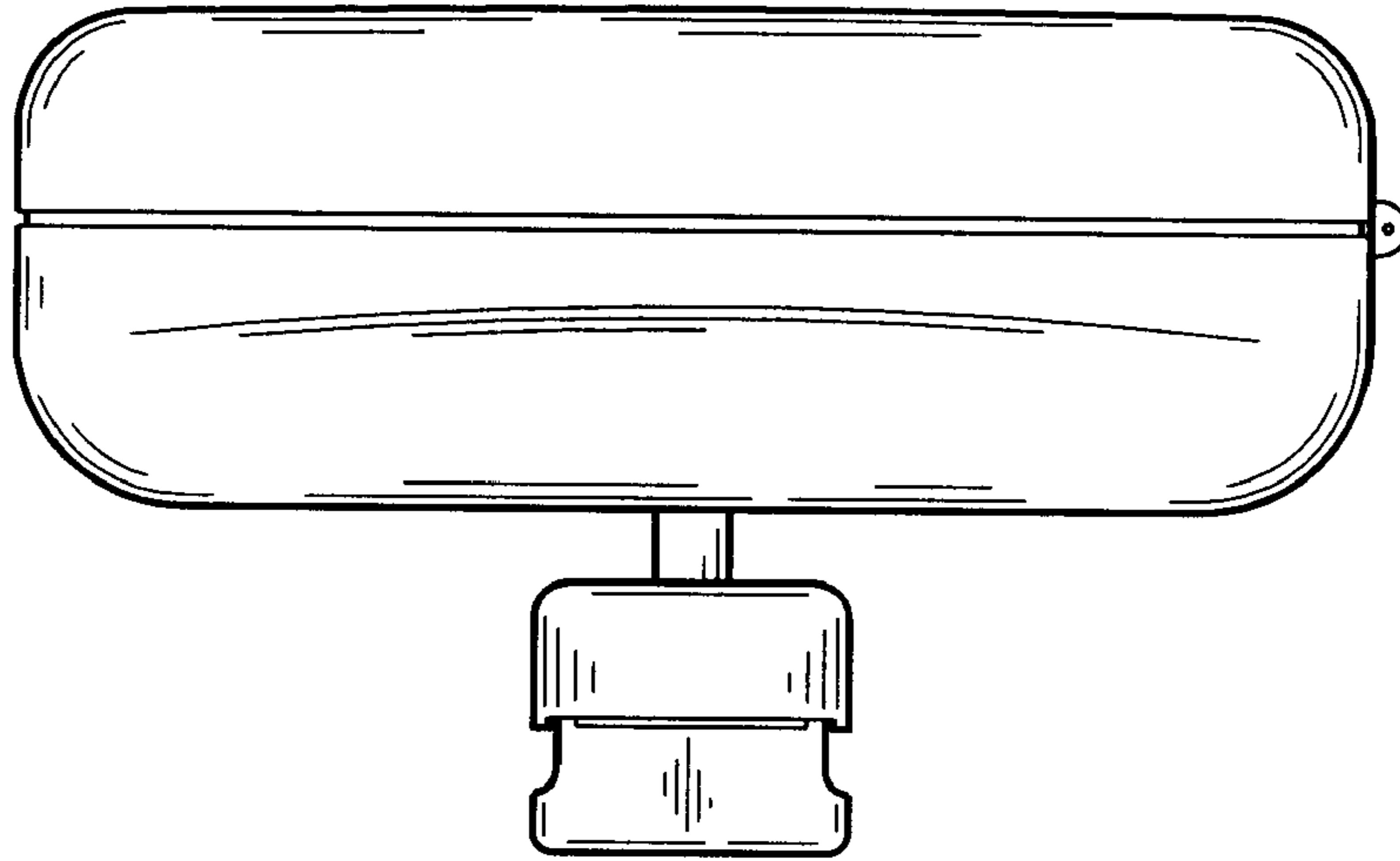


Fig. 6

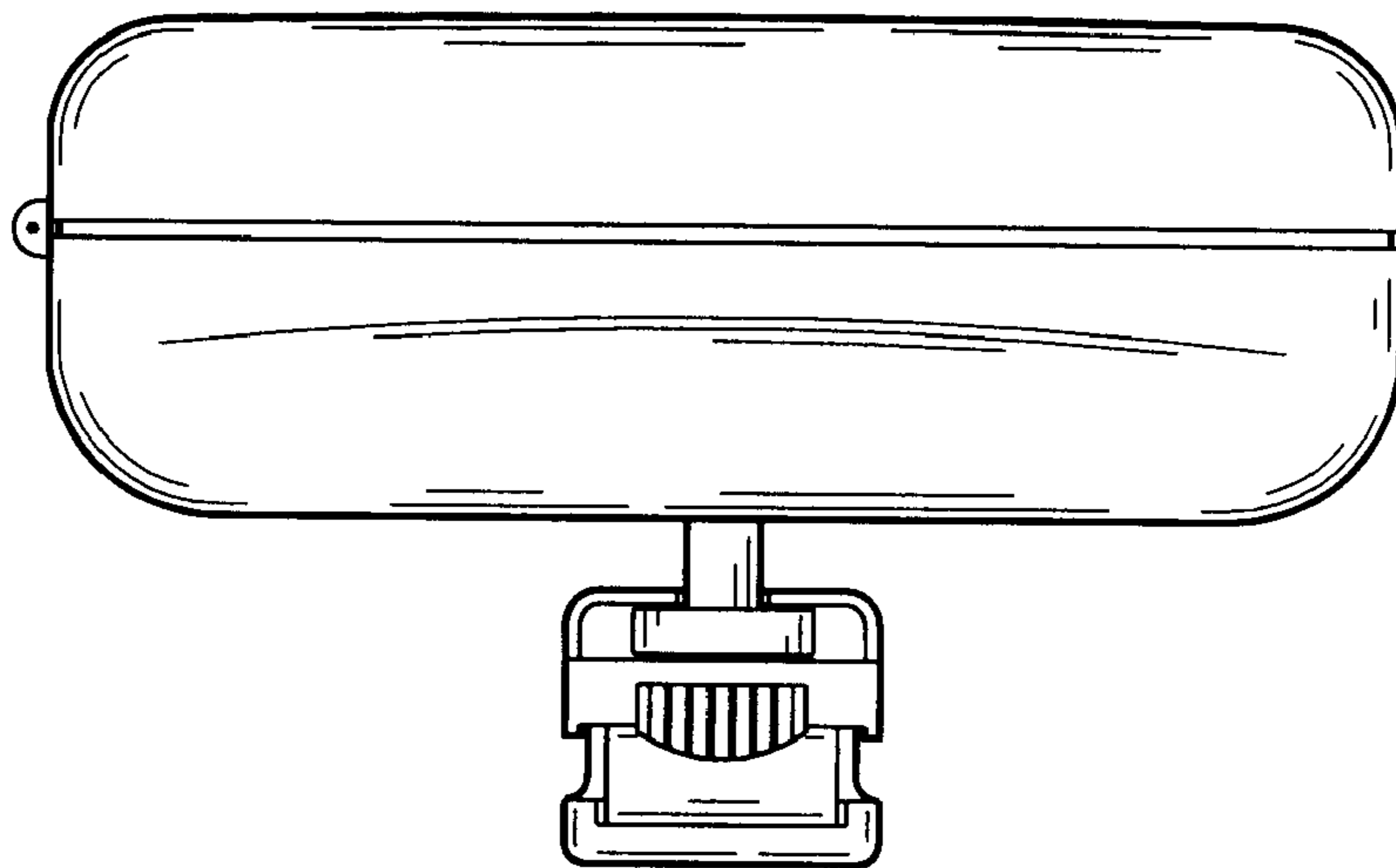


Fig. 7

