



US00D454420S

(12) **United States Design Patent**
Izzi

(10) **Patent No.:** **US D454,420 S**

(45) **Date of Patent:** **** Mar. 12, 2002**

(54) **CREMATION URN LID WITH GOLF EMBLEM**

D356,422 S * 3/1995 Parker D99/5
D360,732 S * 7/1995 Parker D99/5
D438,685 S * 3/2001 Robinson D99/5

(75) Inventor: **Stephen J. Izzi**, Warwick, RI (US)

OTHER PUBLICATIONS

(73) Assignee: **Wilbert Funeral Services, Inc.**, Forest Park, IL (US)

Photo of lid with urn (1997).
Photo of Personal Expressions Emblems for lids (emblems sold on the sides of urns for more than one year prior to the filing of this application).

(**) Term: **14 Years**

* cited by examiner

(21) Appl. No.: **29/144,272**

Primary Examiner—Paula A. Mortimer

(22) Filed: **Jun. 27, 2001**

(74) *Attorney, Agent, or Firm*—Brinks, Hofer, Gilson & Lione

Related U.S. Application Data

(62) Division of application No. 29/129,312, filed on Sep. 2, 2000.

(57) **CLAIM**

(51) **LOC (7) Cl.** **99-00**

The ornamental design for a cremation urn lid with golf emblem, as shown and described.

(52) **U.S. Cl.** **D99/5**

(58) **Field of Search** D99/1, 5; D11/40, D11/99, 143, 144, 145, 146, 151, 152, 157, 158; D7/540, 612, 900, 40; D21/69 B, 714; 27/1-10; D9/435

DESCRIPTION

FIG. 1 is a perspective view of our new, original and ornamental design for a cremation urn lid with golf emblem; FIG. 2 is a side view of FIG. 1; FIG. 3 is a top view of the lid of FIG. 1; and, FIG. 4 is a bottom view of the lid of FIG. 1. The broken lines in the Figures are for illustrative purposes only and form no part of the claimed design.

(56) **References Cited**

U.S. PATENT DOCUMENTS

D98,914 S * 3/1936 Briscoe D99/5
D313,754 S * 1/1991 Pomroy D9/435
D319,466 S * 8/1991 Summers D11/157

1 Claim, 1 Drawing Sheet

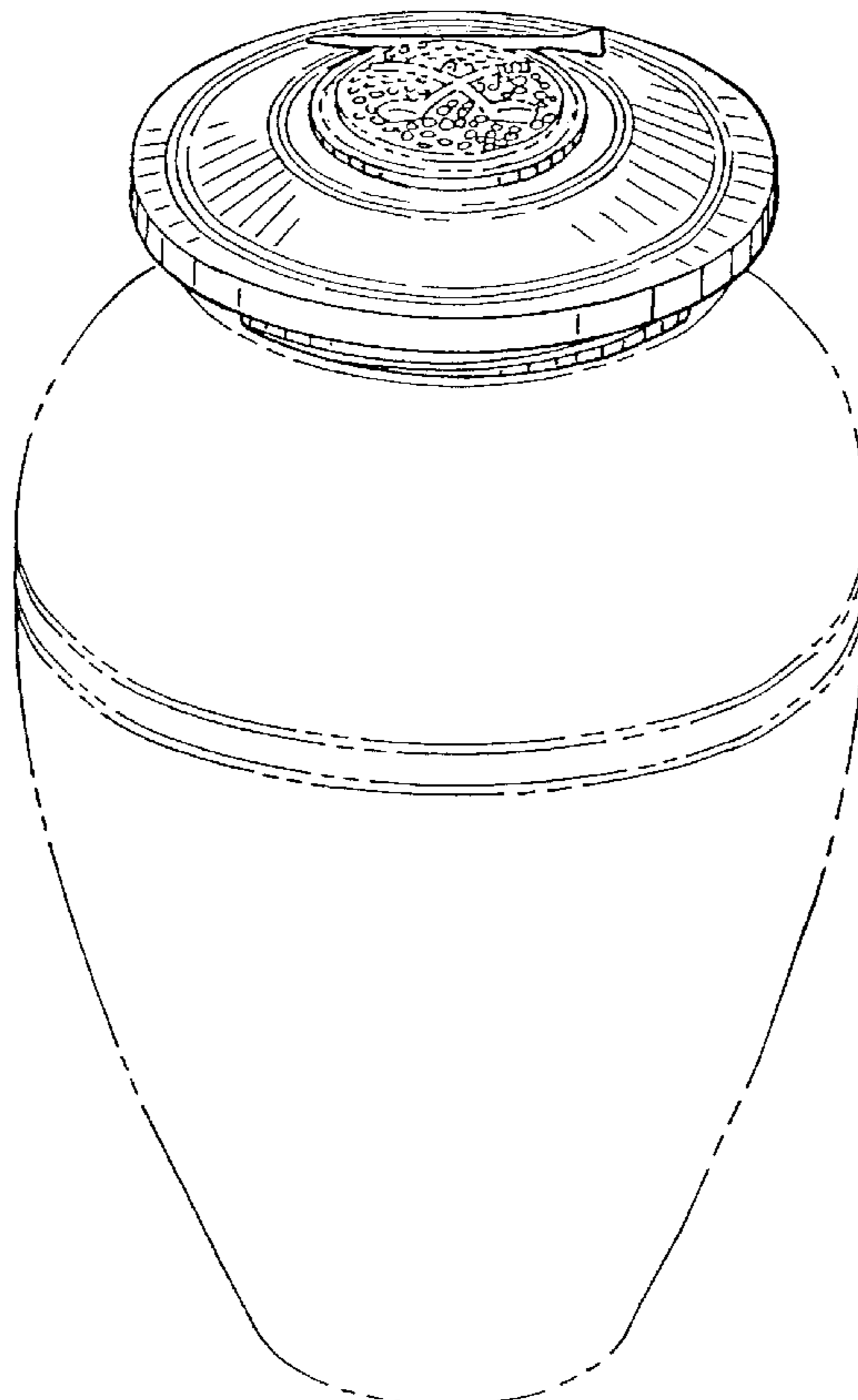


FIG.2

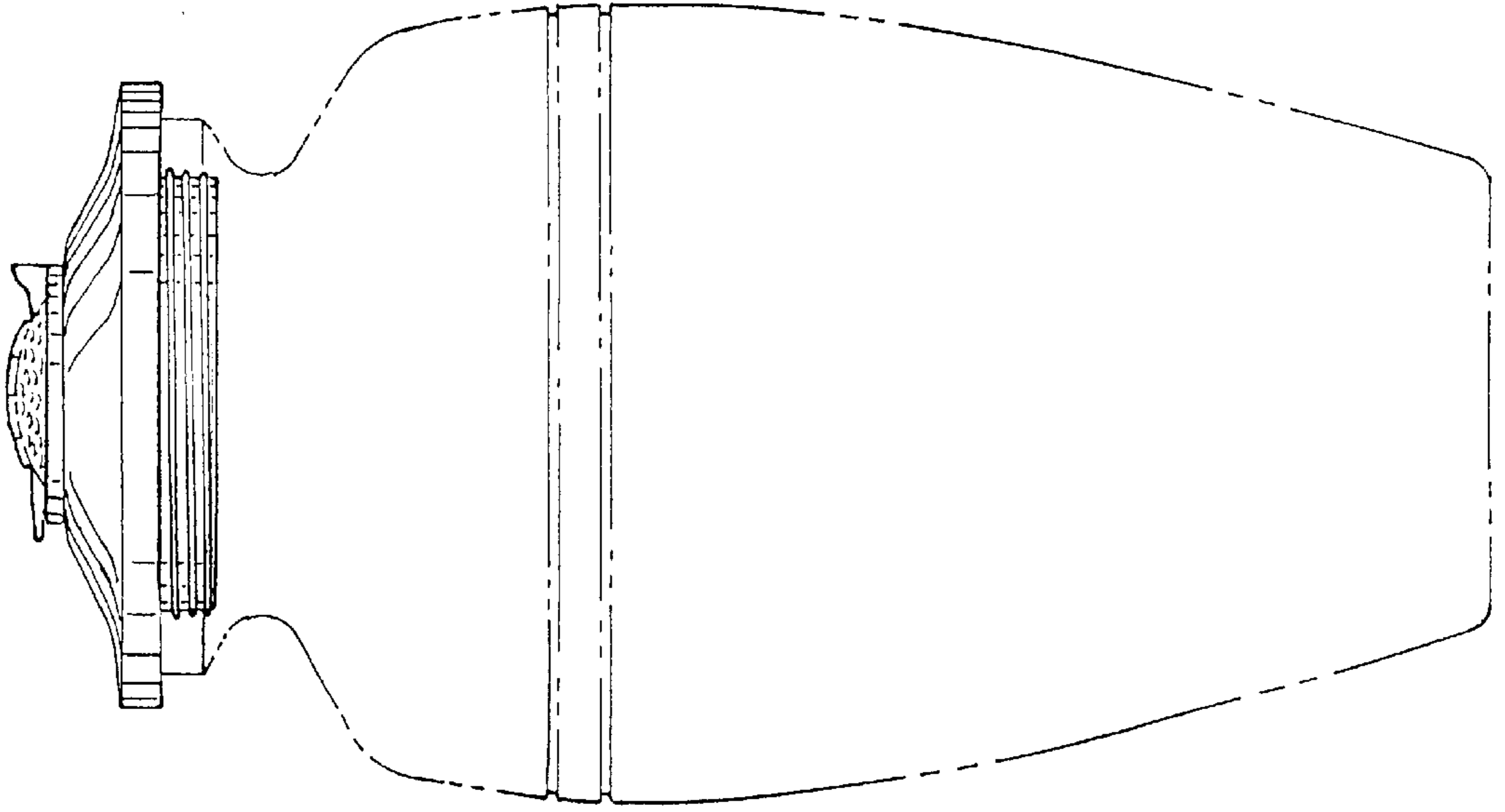


FIG.3

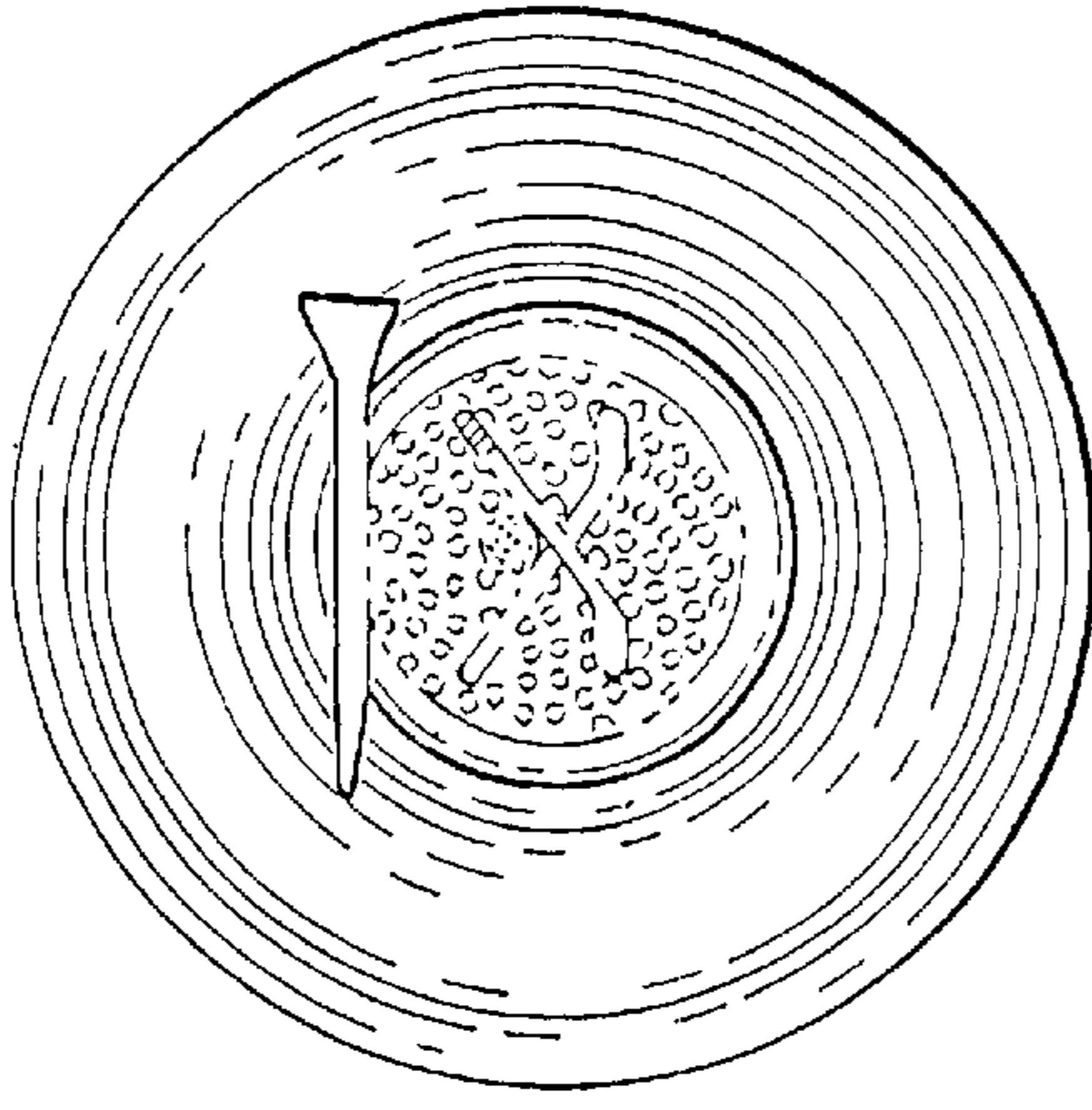


FIG.4

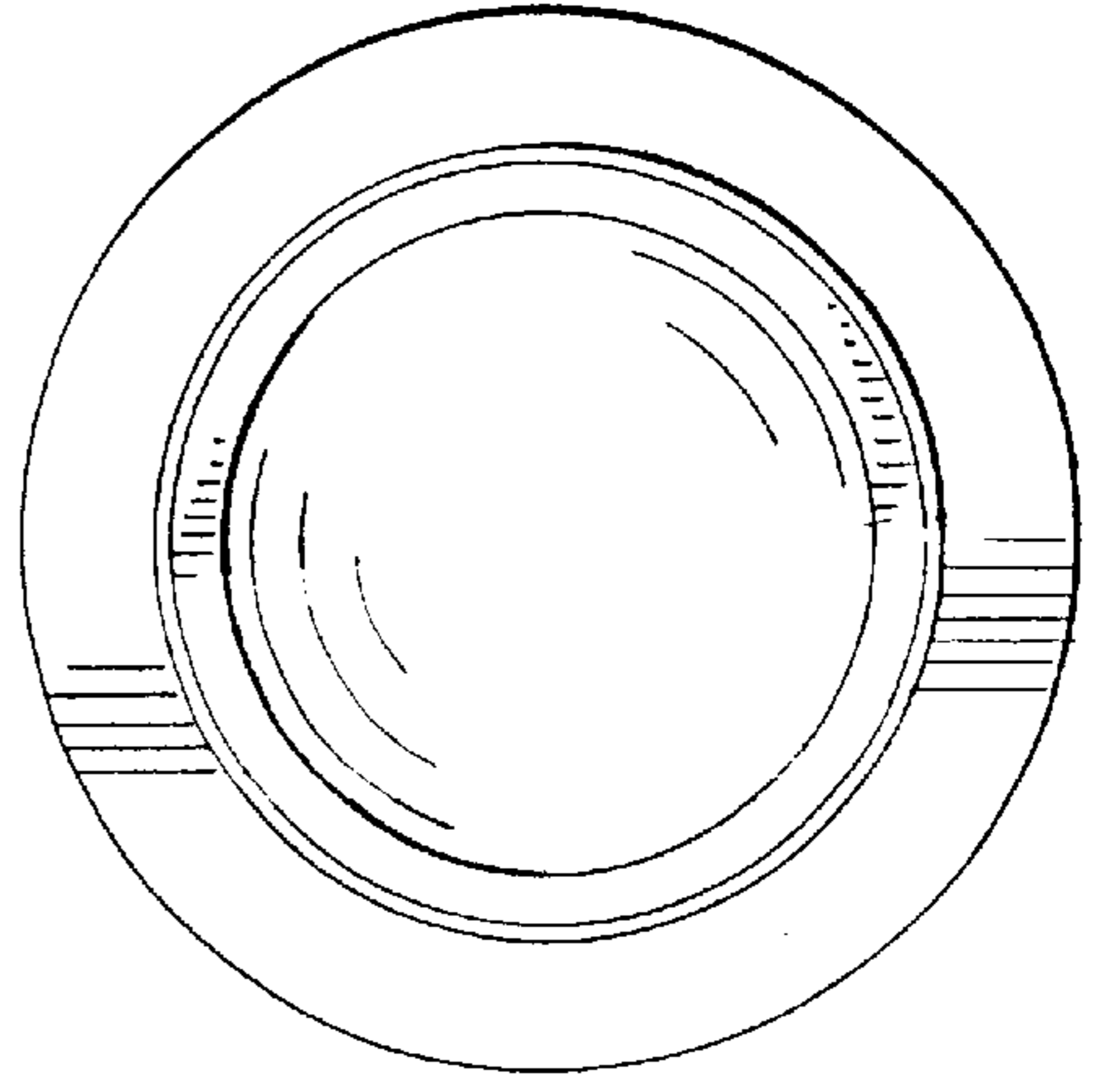


FIG.1

