



US00D454419S

(12) **United States Design Patent**  
**Lee et al.**

(10) **Patent No.:** **US D454,419 S**

(45) **Date of Patent:** **\*\* Mar. 12, 2002**

- (54) **TROLLEY JACK**
- (75) Inventors: **Judy Lee**, Kowloon (HK); **Johnny Chang**, Redmond, WA (US)
- (73) Assignee: **Test Rite Products Corporation**, Buena Park, CA (US)
- (\*\*) Term: **14 Years**
- (21) Appl. No.: **29/135,536**
- (22) Filed: **Jan. 12, 2001**

5,042,777 A	8/1991	Appelbaum	254/8 B
D332,337 S	* 1/1993	Wang	D34/31
5,201,494 A	4/1993	Lundman	254/8 B
5,221,073 A	6/1993	Shockley	254/8 B
D358,923 S	* 5/1995	Hawkins	D34/31
D364,026 S	* 11/1995	Hung	D34/31
5,551,668 A	* 9/1996	Hung	254/8 B
D398,730 S	9/1998	Lin	D34/31
5,878,996 A	3/1999	Loan	254/8 B
D416,370 S	11/1999	Hung	D34/31
D421,516 S	3/2000	Hung	D34/31
D423,750 S	4/2000	Hung	D34/31
D442,345 S	* 5/2001	Lee et al.	D34/31
D444,606 S	* 7/2001	Hsu	D34/31

**Related U.S. Application Data**

- (62) Division of application No. 29/121,624, filed on Apr. 10, 2000, now Pat. No. Des. 442,345.
- (51) **LOC (7) Cl.** ..... **12-05**
- (52) **U.S. Cl.** ..... **D34/31**
- (58) **Field of Search** ..... D34/28, 31, 34; 254/8 B, 93 H, 84.11, 2 B, DIG. 3

\* cited by examiner

*Primary Examiner*—Cynthia E. Ramirez  
(74) *Attorney, Agent, or Firm*—Sheppard, Mullin, Richter & Hampton LLP; James R. Brueggemann

(57) **CLAIM**

We claim the ornamental design for a trolley jack, as shown and described.

(56) **References Cited**

**U.S. PATENT DOCUMENTS**

D109,498 S	5/1938	Pfauser	D34/31
D109,499 S	5/1938	Pfauser	D34/31
4,018,421 A	4/1977	Tallman	254/8 B
D253,696 S	12/1979	Suzuki	D34/31
4,241,899 A	* 12/1980	Kaneko	254/8 B
4,251,056 A	* 2/1981	Maniglia	254/8 B
4,277,048 A	* 7/1981	Okuda	254/8 B
4,289,298 A	* 9/1981	Kameda	254/8 B
D263,128 S	2/1982	Glover, Jr. et al.	D34/31
D272,670 S	2/1984	Tsujimura	D34/31
4,635,902 A	* 1/1987	Chou	254/8 B
D296,598 S	7/1988	Hung	D34/31
4,765,593 A	* 8/1988	Hung	254/8 B
4,846,443 A	7/1989	Collins et al.	254/8 B
4,850,568 A	7/1989	Hung	254/8 B

**DESCRIPTION**

FIG. 1 is a perspective view showing the design of a trolley jack with a handle wherein a lift bar is shown in broken lines.

FIG. 2 is a top plan view thereof.

FIG. 3 is a left side elevational view thereof.

FIG. 4 is a bottom plan view thereof.

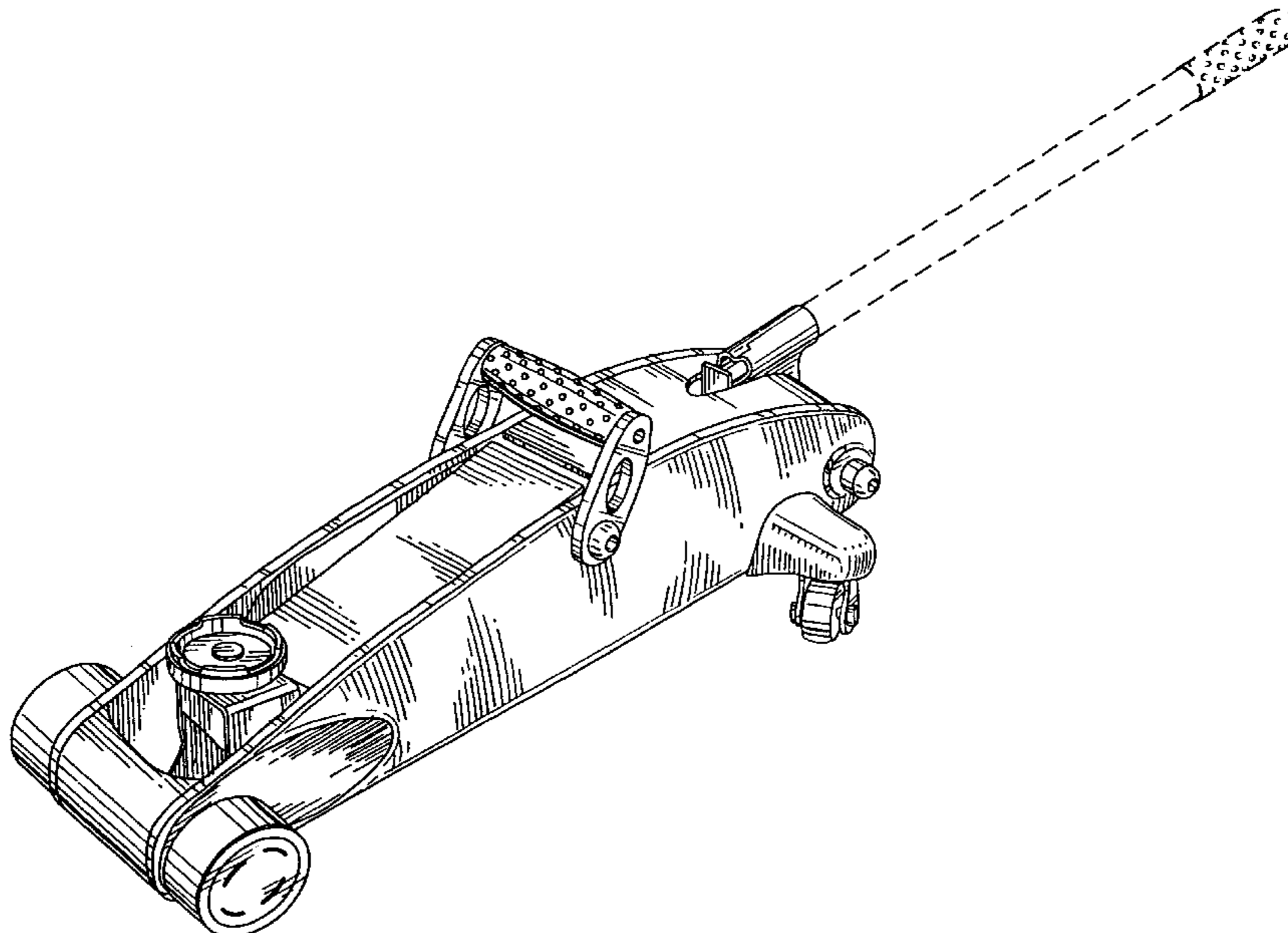
FIG. 5 is a right side elevational view thereof.

FIG. 6 is a rear elevational view thereof; and,

FIG. 7 is a front elevational view thereof.

The broken line showing of the handle in FIG. 1 is for illustrative purposes only and forms no part of the claimed design.

**1 Claim, 3 Drawing Sheets**



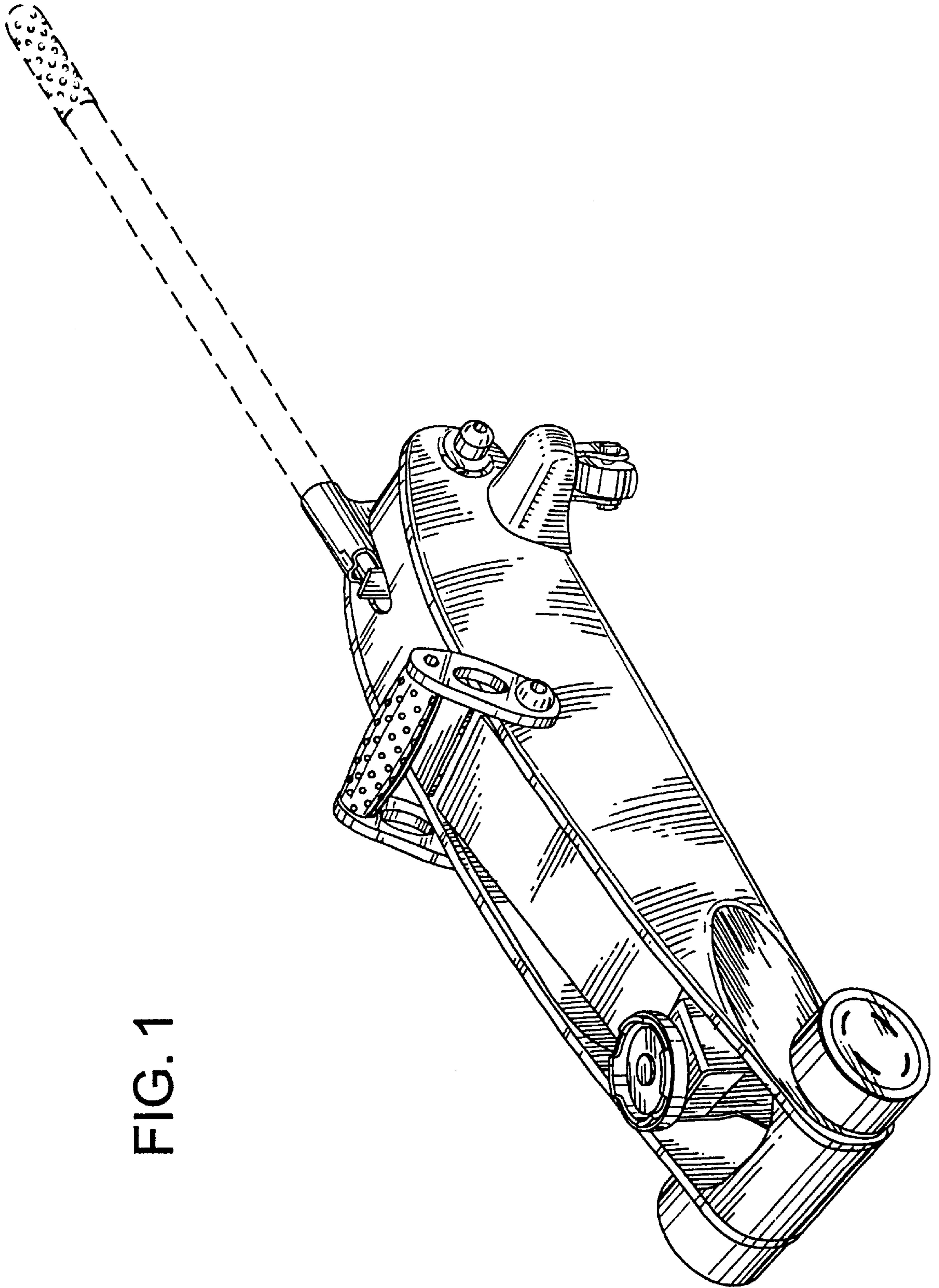


FIG. 1

FIG. 2

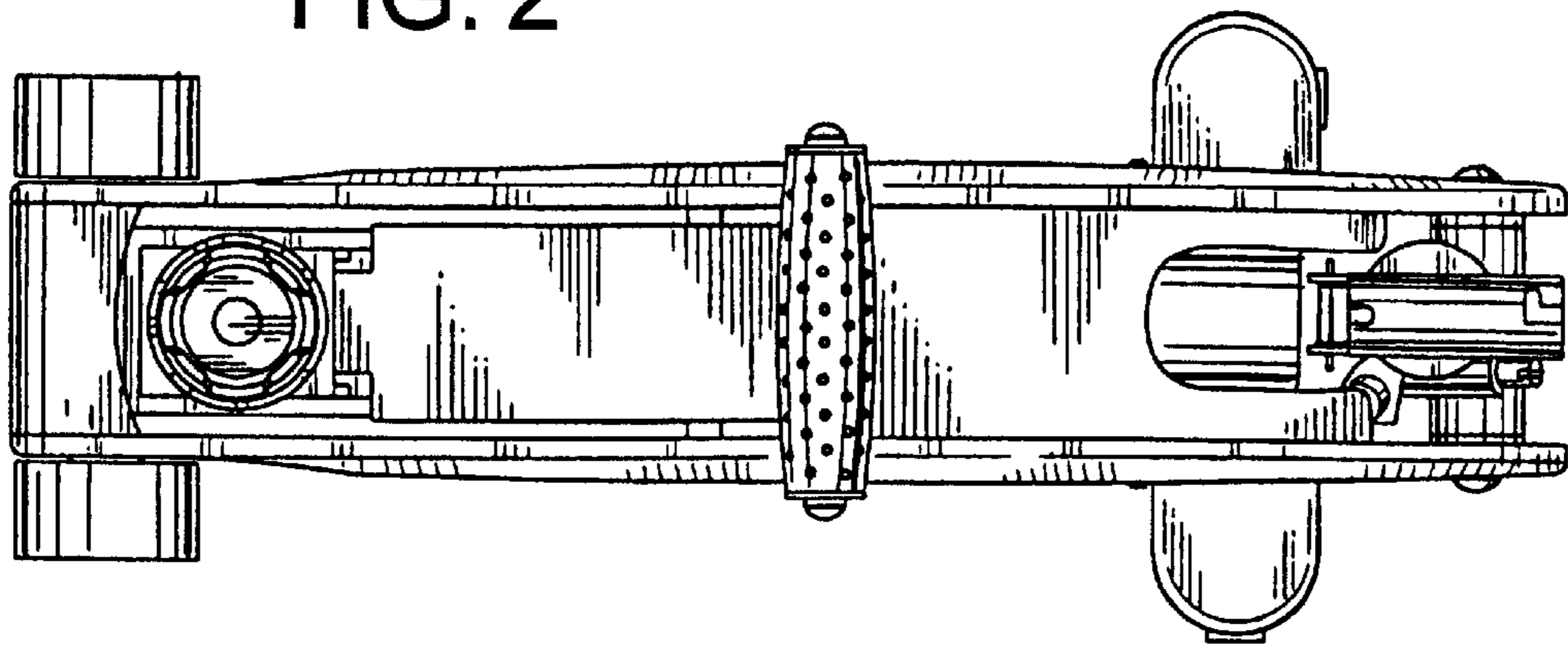


FIG. 3

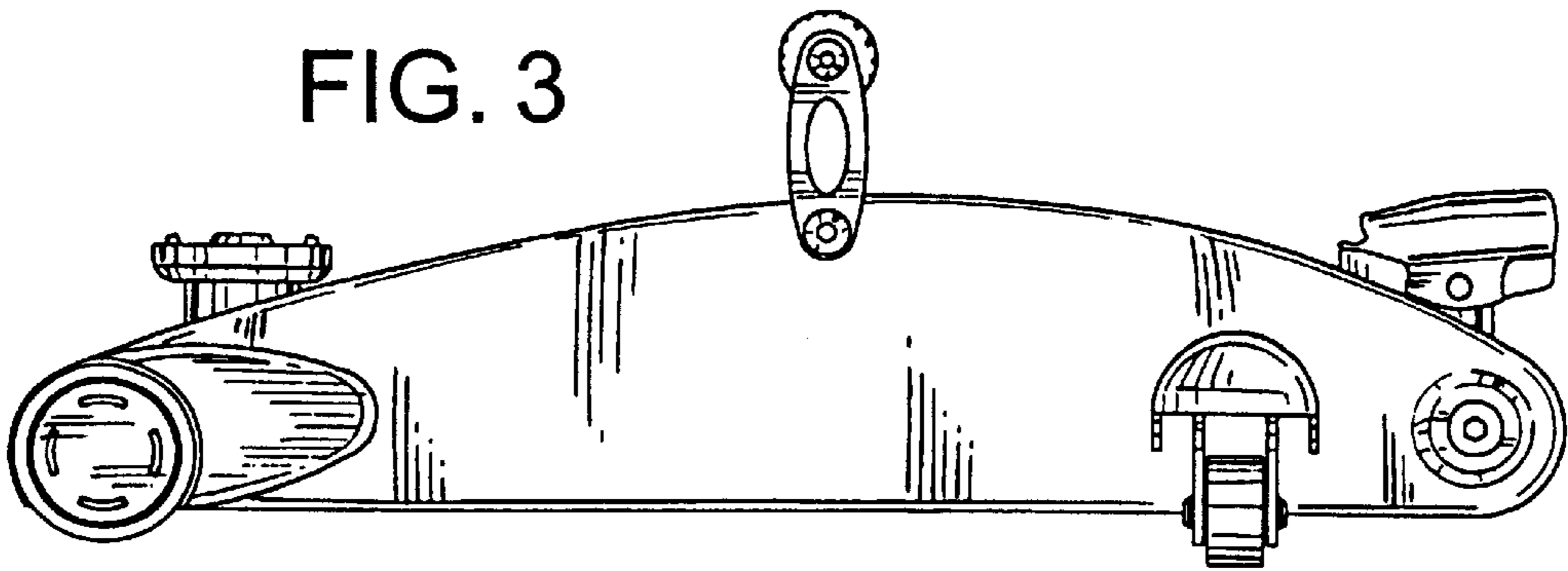


FIG. 4

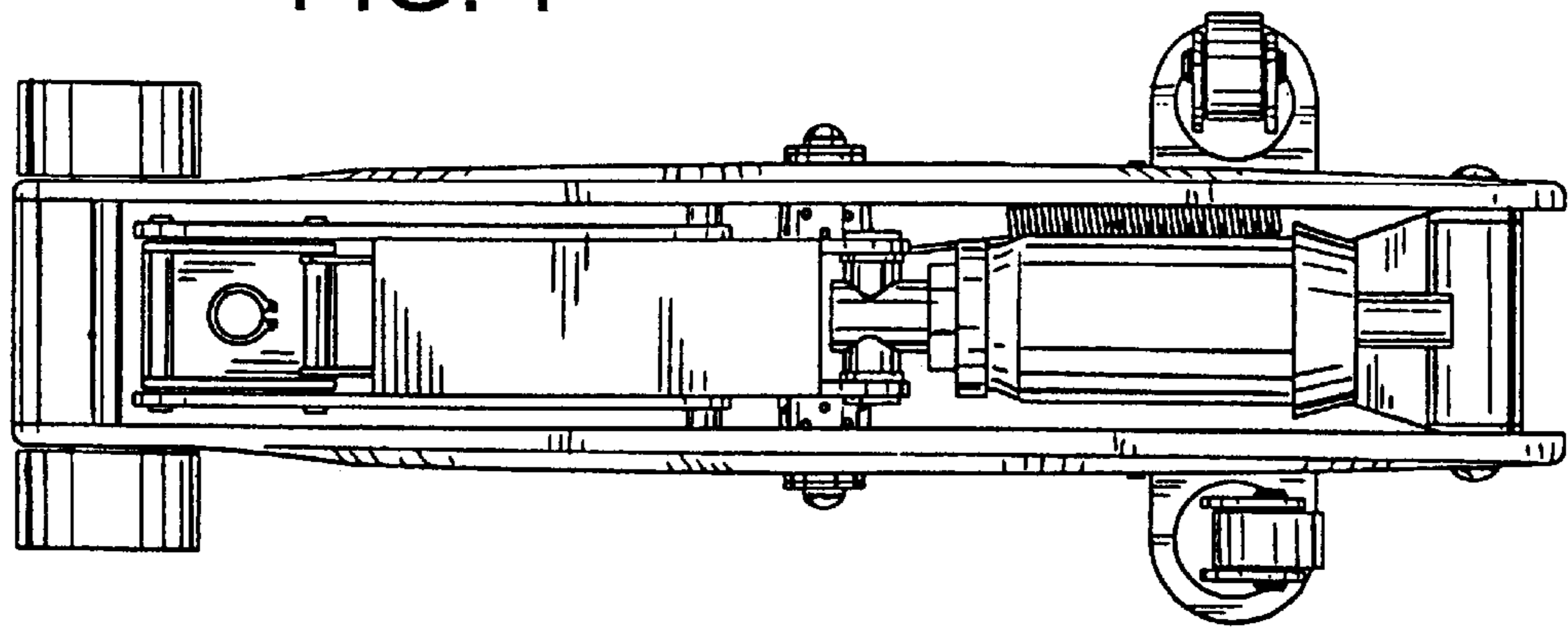


FIG. 5

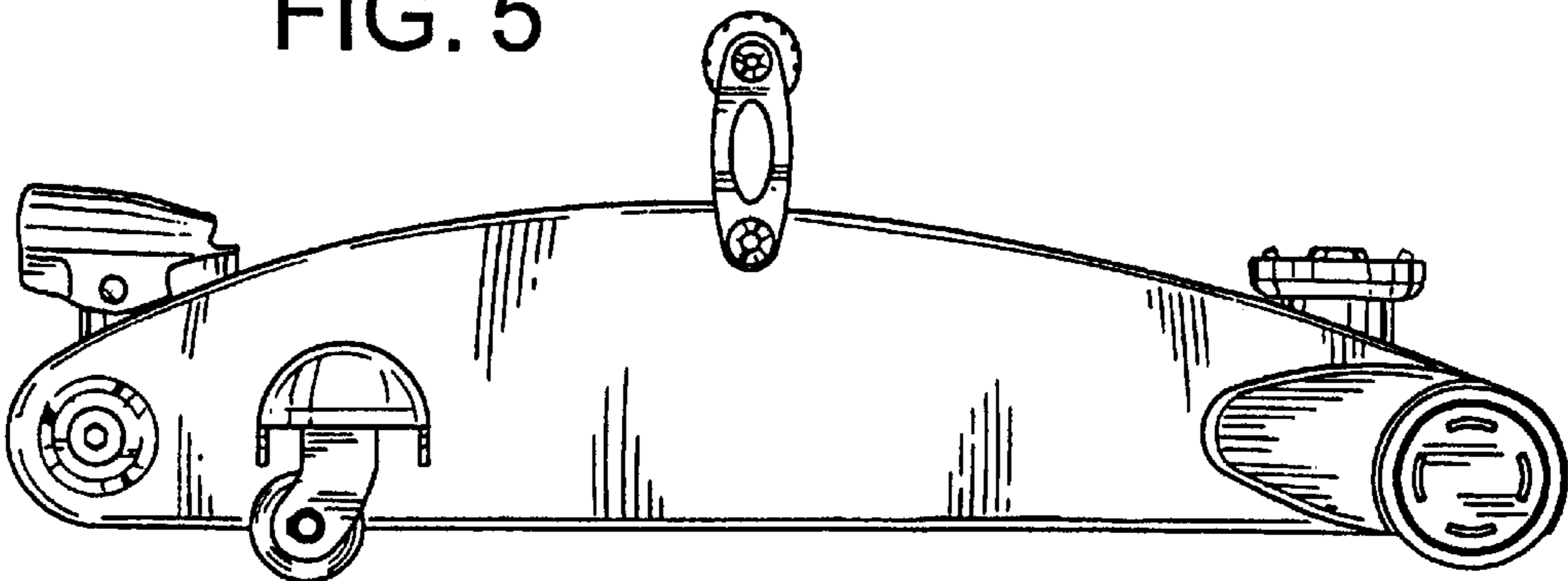


FIG. 6

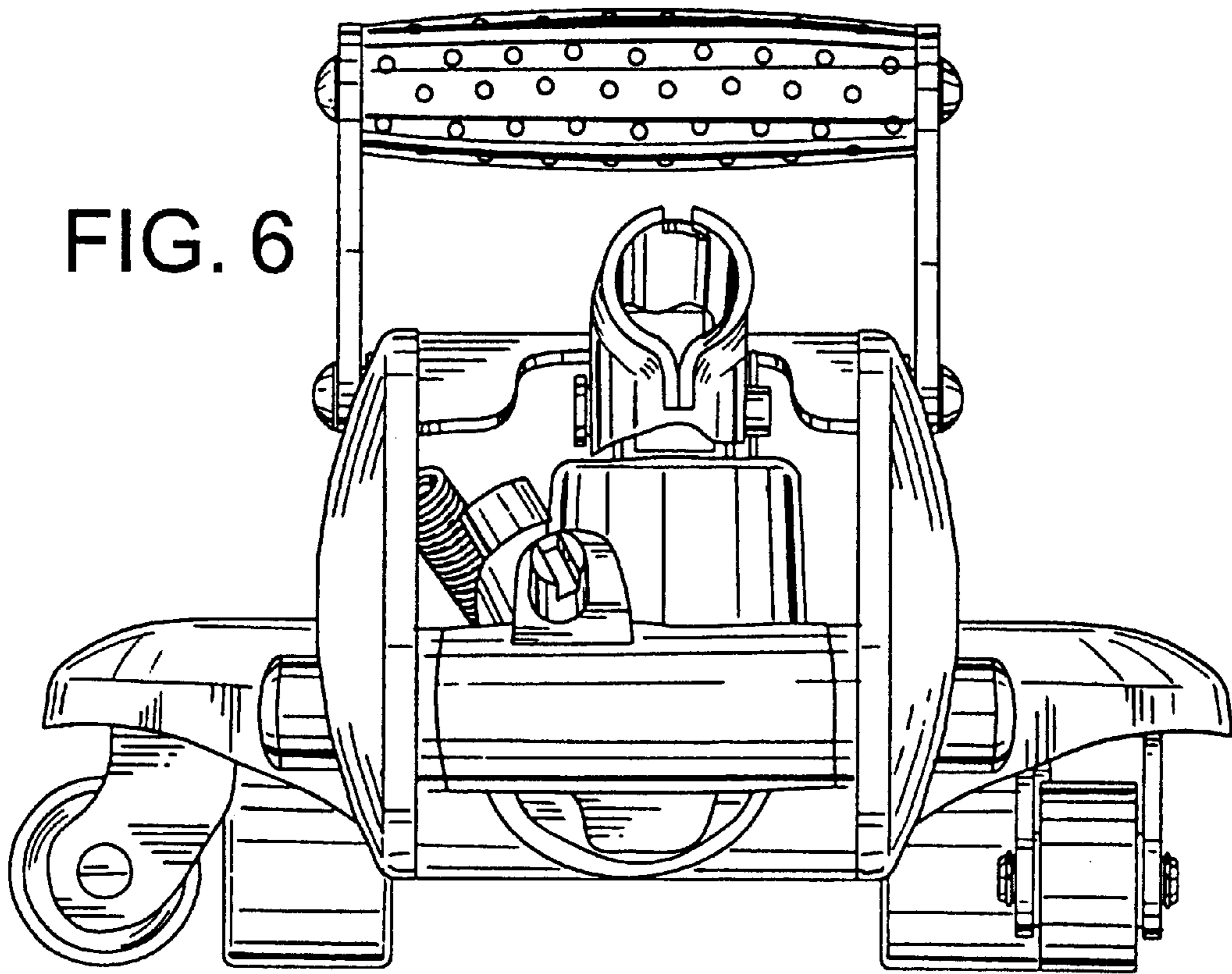


FIG. 7

