



US00D454418S

(12) **United States Design Patent**  
**Vong et al.**

(10) **Patent No.:** **US D454,418 S**

(45) **Date of Patent:** **\*\* Mar. 12, 2002**

(54) **HANDLE FOR GOLF PULL-CART**

(75) Inventors: **Andy Siew Fun Vong**, Venice; **James E. Grove**, Marina Del Rey, both of CA (US)

(73) Assignee: **L.A. Product Design, L.L.C.**, Marina Del Ray, CA (US)

(\*\*) Term: **14 Years**

(21) Appl. No.: **29/139,385**

(22) Filed: **Mar. 28, 2001**

(51) **LOC (7) Cl.** ..... **12-02**

(52) **U.S. Cl.** ..... **D34/27; D34/15; D12/133**

(58) **Field of Search** ..... **D34/12-27; D8/107, D8/300; D12/133; 16/111 R, 114 R; 81/177.1; 280/DIG. 5, DIG. 6**

(56) **References Cited**

**U.S. PATENT DOCUMENTS**

2,040,339 A	5/1936	Ross	.....	280/53
D441,162 S	4/2001	Grove et al.	.....	D34/27
D441,514 S	5/2001	Grove et al.	.....	D34/27

**OTHER PUBLICATIONS**

Andy Siew Fun Vong et al., U.S. application No. 29/127, 834, filed Aug. 11, 2000, entitled "Handle for a Golf Pull-Cart".

Andy Siew Fun Vong et al., U.S. application No. 29/127, 866, filed Aug. 11, 2000, entitled "Handle for a Golf Pull-Cart".

Konkle, Stephen A., U.S. application No. 29/128,593, filed Aug. 28, 2000, entitled "Handle for a Golf Pull-Cart".

*Primary Examiner*—Kay H. Chin

(74) *Attorney, Agent, or Firm*—SEED IP Law Group PLLC

(57) **CLAIM**

The ornamental design for a handle for golf pull-cart, as shown and described.

**DESCRIPTION**

FIG. 1 is a front, bottom, right isometric view of the handle for golf pull-cart showing our new design in the environment in which it is typically used.

FIG. 2 is a front, bottom, right, enlarged isometric view of the handle for golf pull-cart.

FIG. 3 is a front elevational view thereof; the rear elevational view is a mirror image thereof.

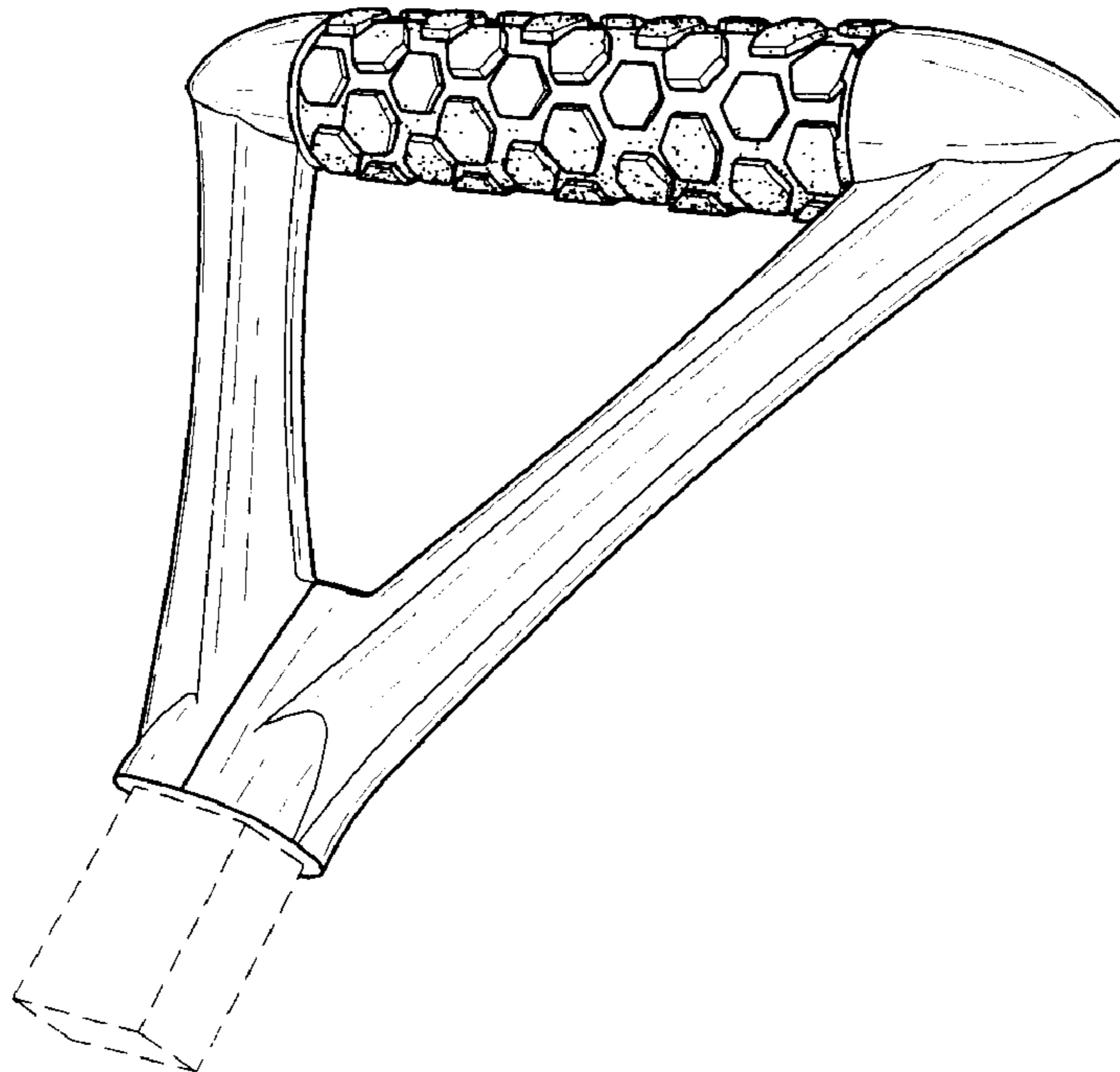
FIG. 4 is a right side elevational view thereof; the left side elevational view is a mirror image thereof.

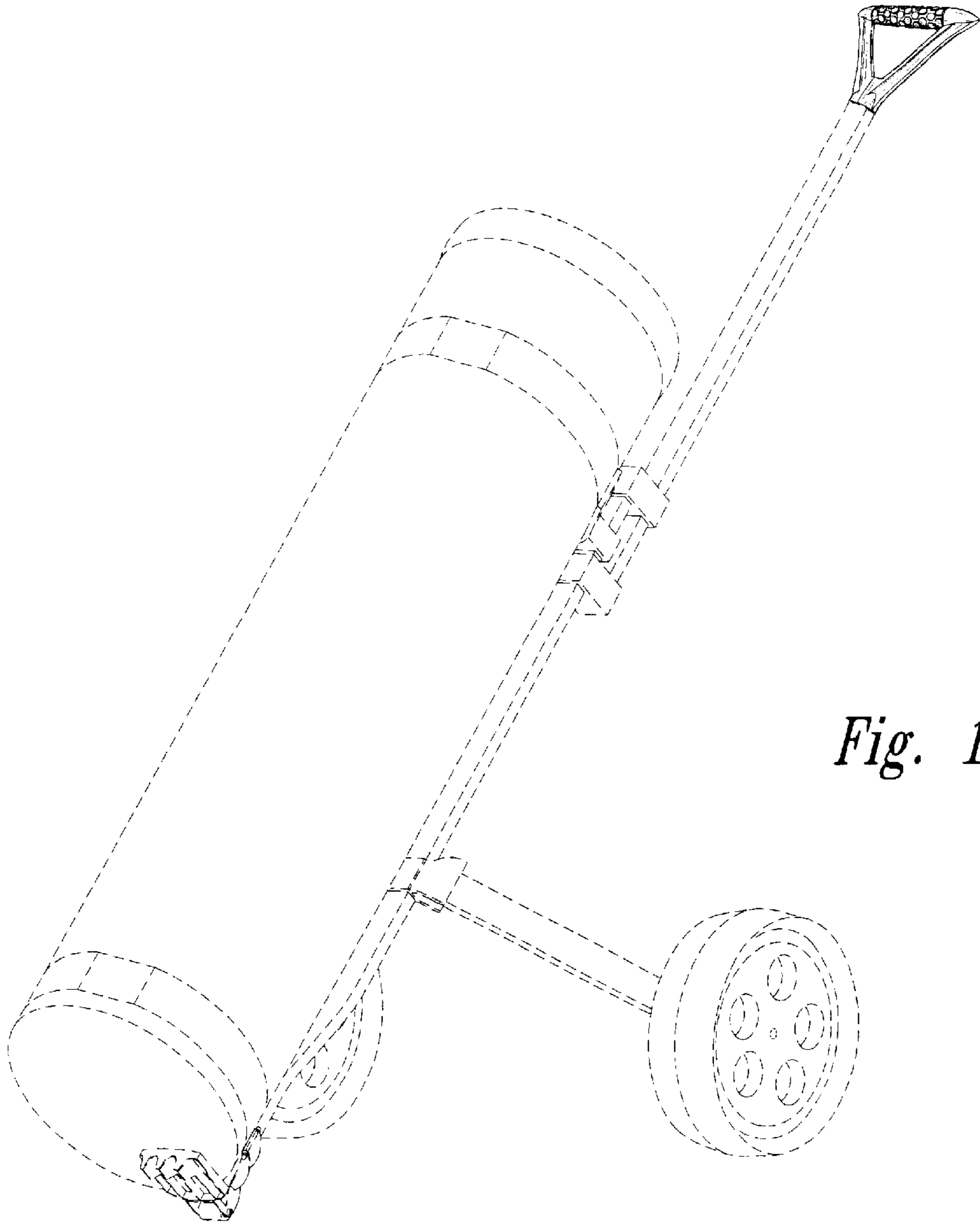
FIG. 5 top plan view thereof; and,

FIG. 6 is a bottom plan view thereof.

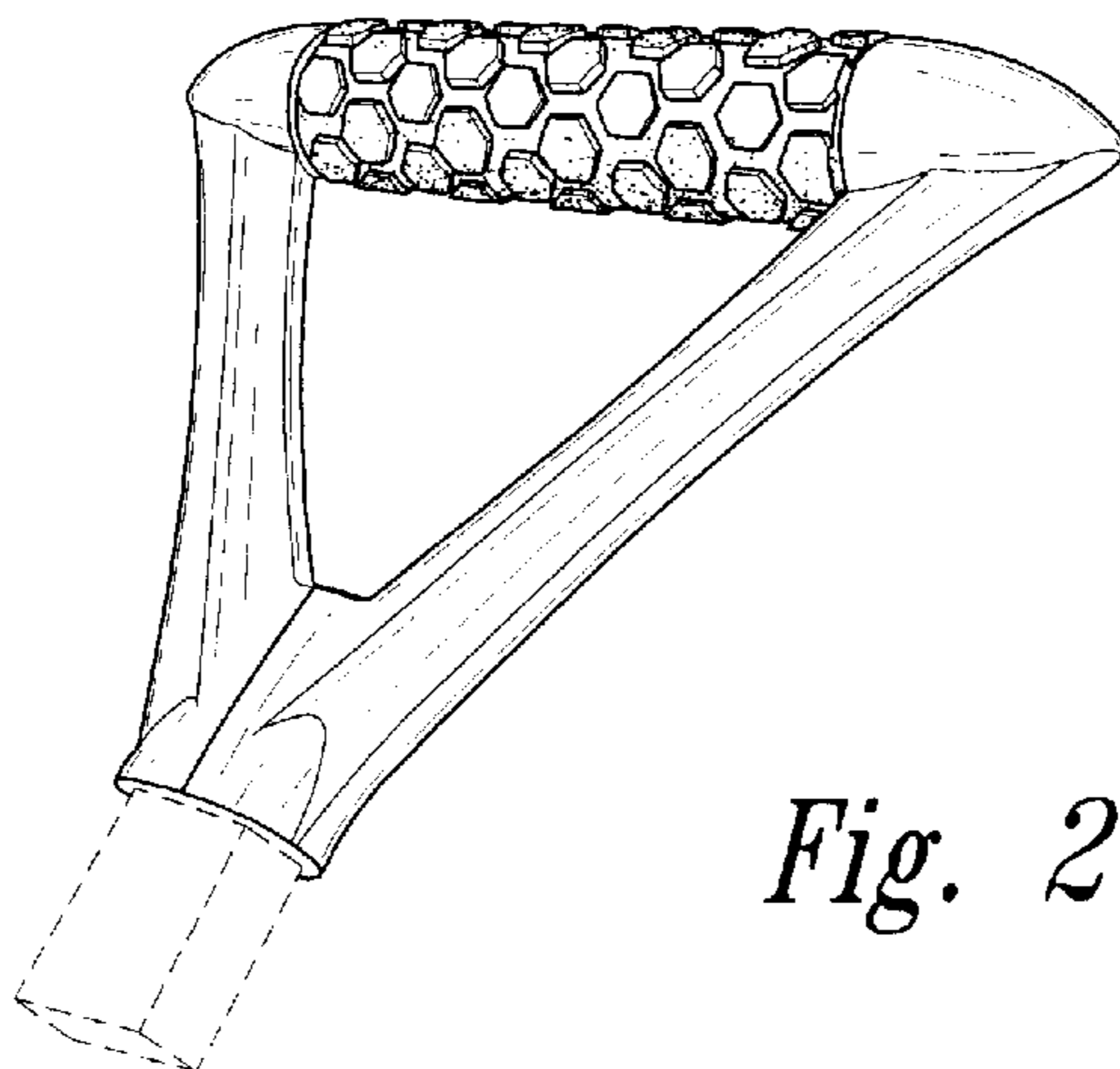
The broken lines in the figures are for illustrative purposes only and form no part of the claimed design.

**1 Claim, 2 Drawing Sheets**

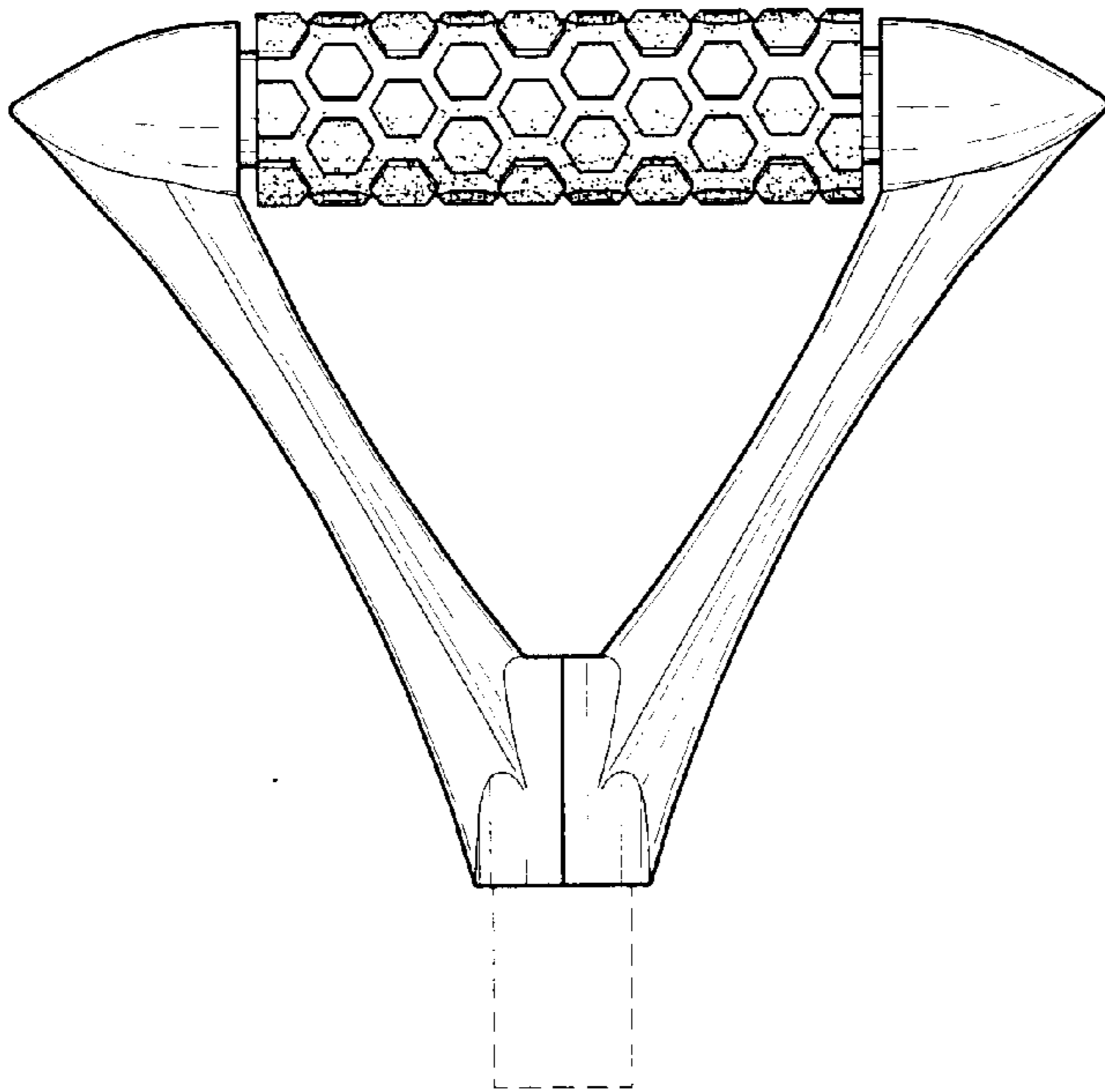




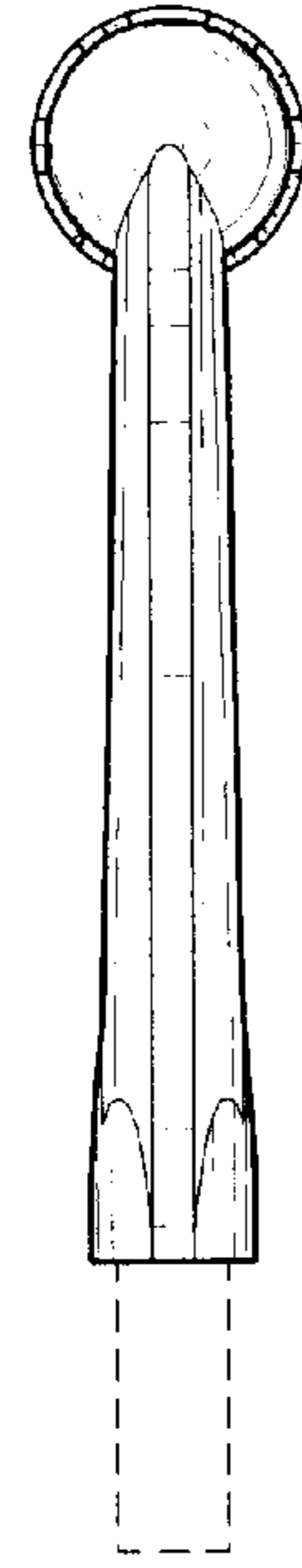
*Fig. 1*



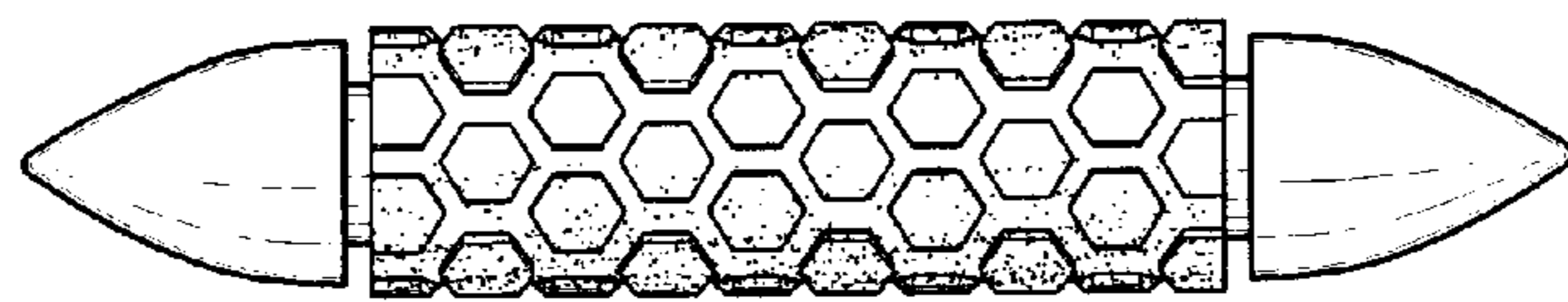
*Fig. 2*



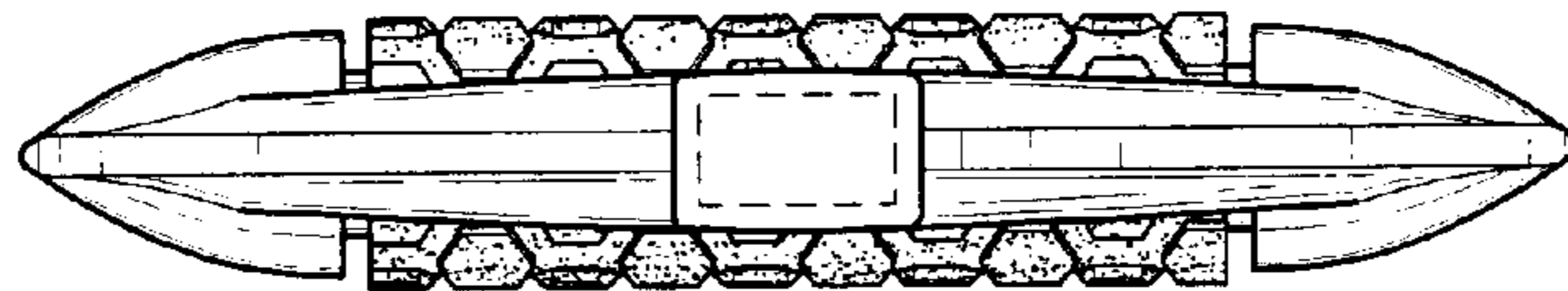
*Fig. 3*



*Fig. 4*



*Fig. 5*



*Fig. 6*