



US00D454406S

(12) **United States Design Patent**  
**Chang**

(10) **Patent No.:** **US D454,406 S**

(45) **Date of Patent:** **\*\* Mar. 12, 2002**

(54) **SOLAR POWERED LAMP**

D405,206 S \* 2/1999 Taylor et al. .... D26/67

(76) Inventor: **Tsu-Kang Chang**, No. 569-1, Pei-An Rd., Chung-Shan Dist., Taipei (TW)

\* cited by examiner

(\*\*) Term: **14 Years**

*Primary Examiner*—Marcus A. Jackson  
(74) *Attorney, Agent, or Firm*—Bacon & Thomas, PLLC

(21) Appl. No.: **29/146,334**

(57) **CLAIM**

(22) Filed: **Aug. 9, 2001**

The ornamental design for a solar powered lamp, as shown.

(51) **LOC (7) Cl.** ..... **26-05**

(52) **U.S. Cl.** ..... **D26/67**

(58) **Field of Search** ..... D26/67, 61, 68,  
D26/93, 104; 362/153, 153.1, 267, 410-413,  
431

**DESCRIPTION**

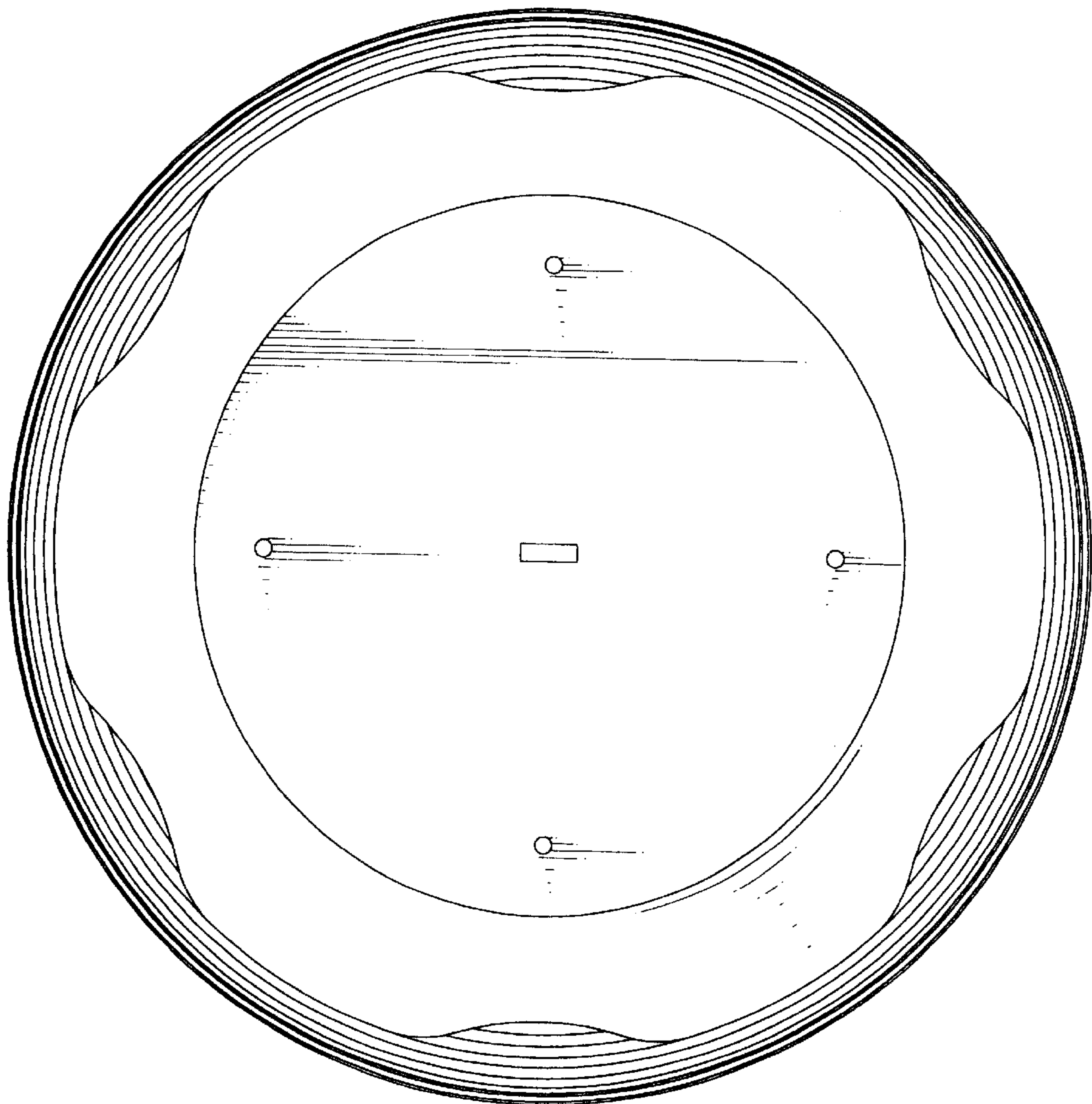
FIG. 1 is a front-right-bottom perspective view of a solar powered lamp, showing my new design; FIG. 2 is a front elevational view thereof; FIG. 3 is a rear elevational view thereof; FIG. 4 is a left elevational view thereof; FIG. 5 is a right elevational view thereof; FIG. 6 is top plan view thereof; and, FIG. 7 is a bottom plan view thereof.

(56) **References Cited**

**U.S. PATENT DOCUMENTS**

- D392,407 S \* 3/1998 Johnson et al. .... D26/67
- D397,233 S \* 8/1998 Bassford ..... D26/67
- D401,370 S \* 11/1998 Fiorato ..... D26/67

**1 Claim, 7 Drawing Sheets**



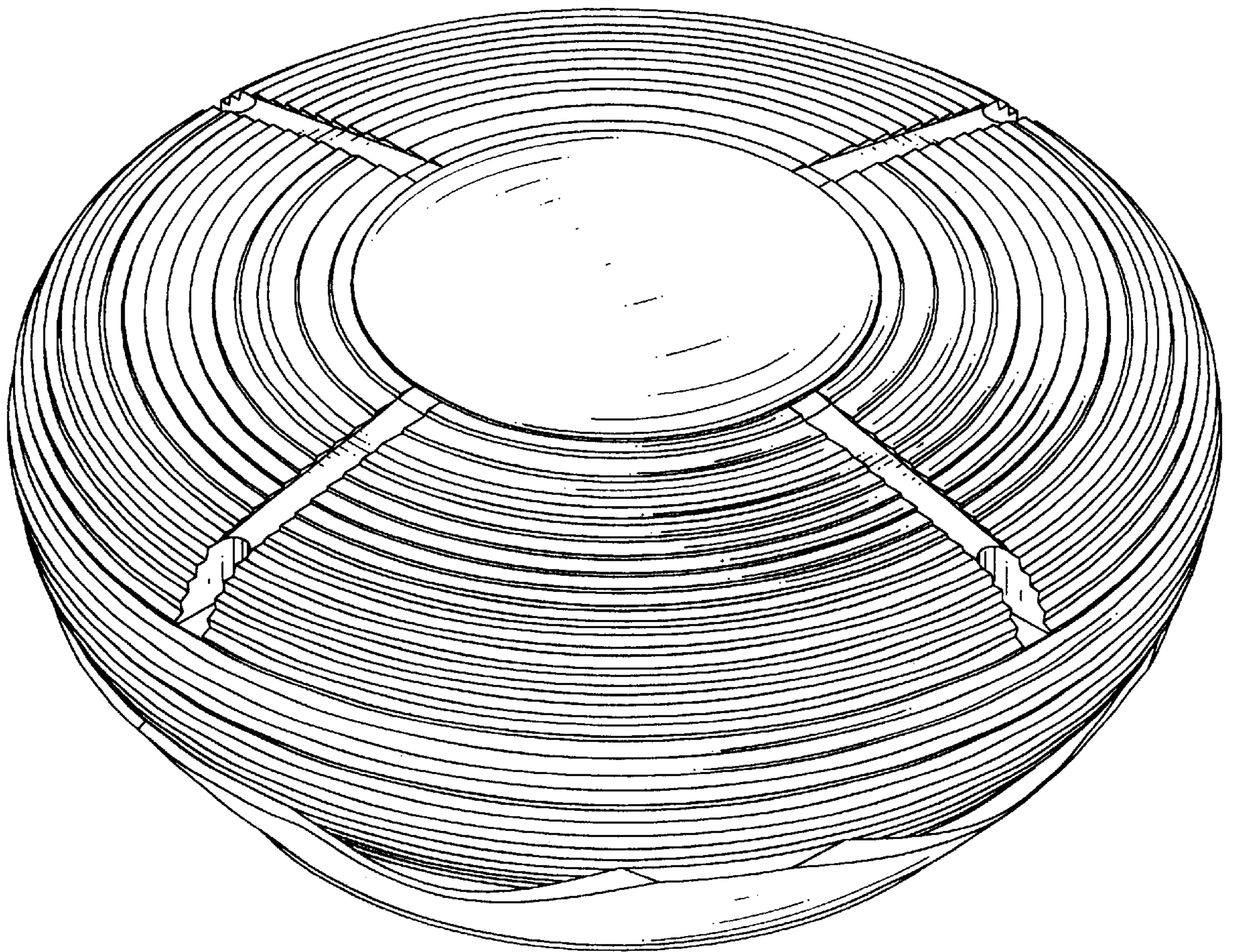


FIG. 1

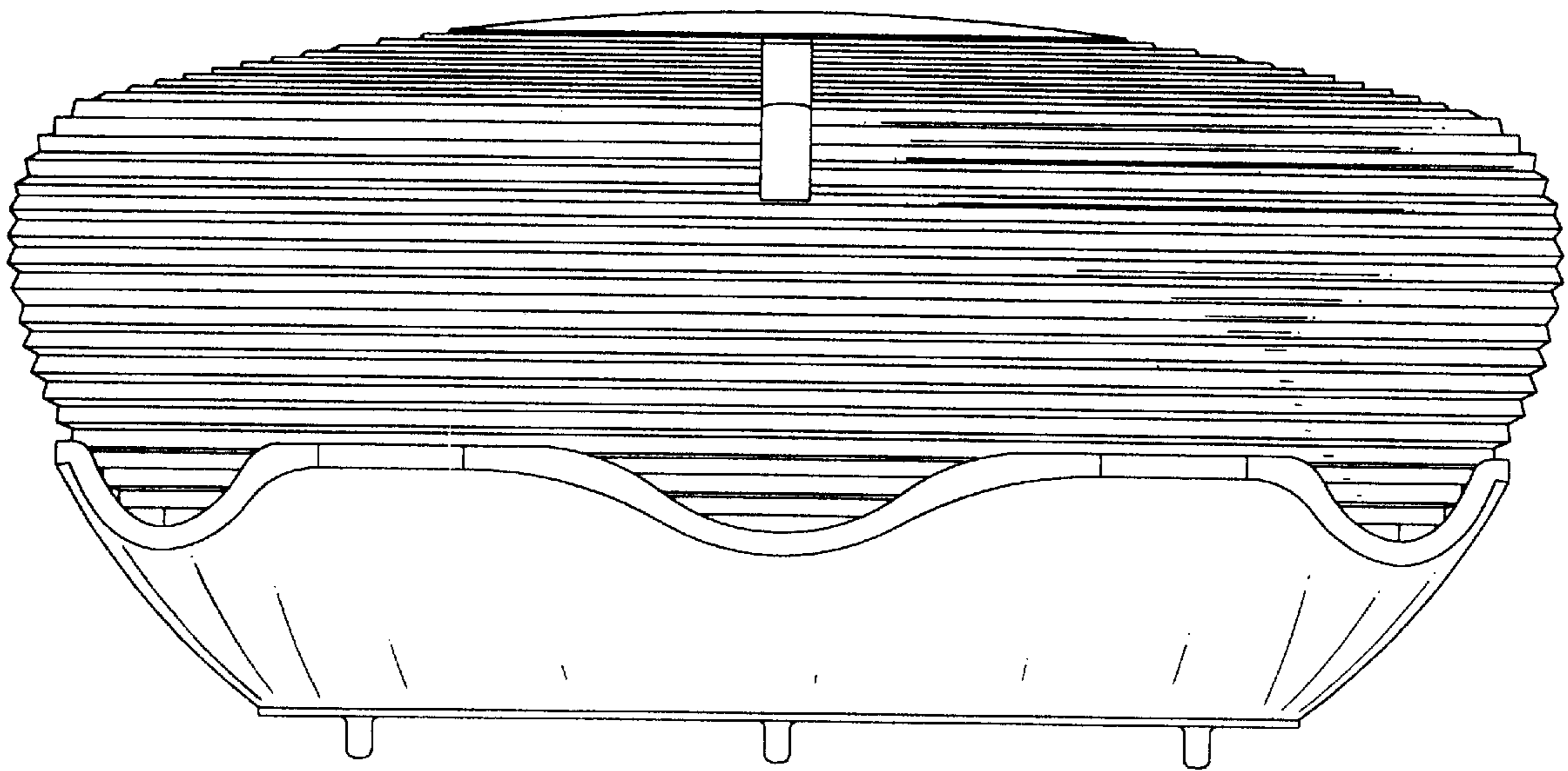


FIG.2

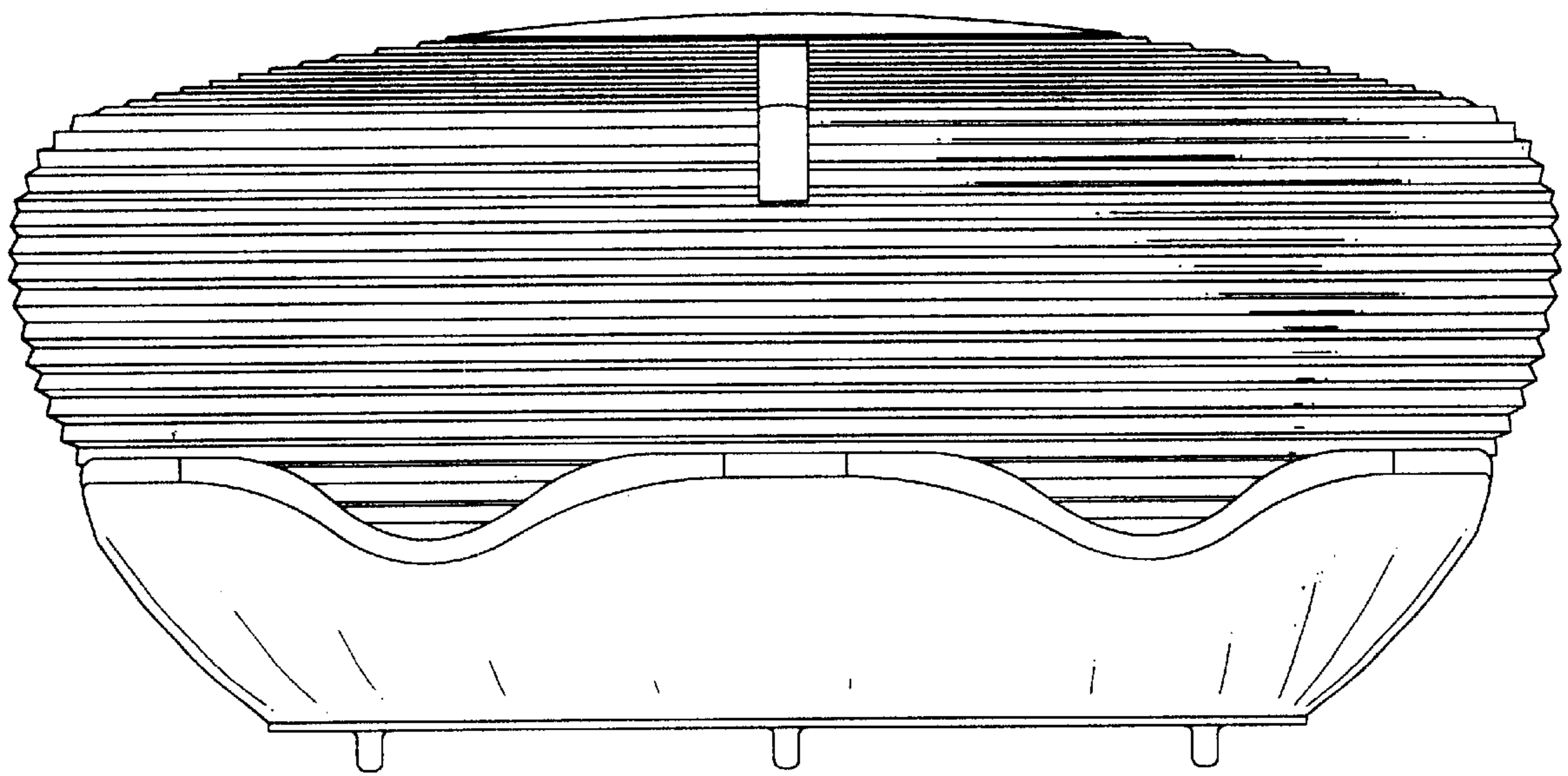


FIG. 3

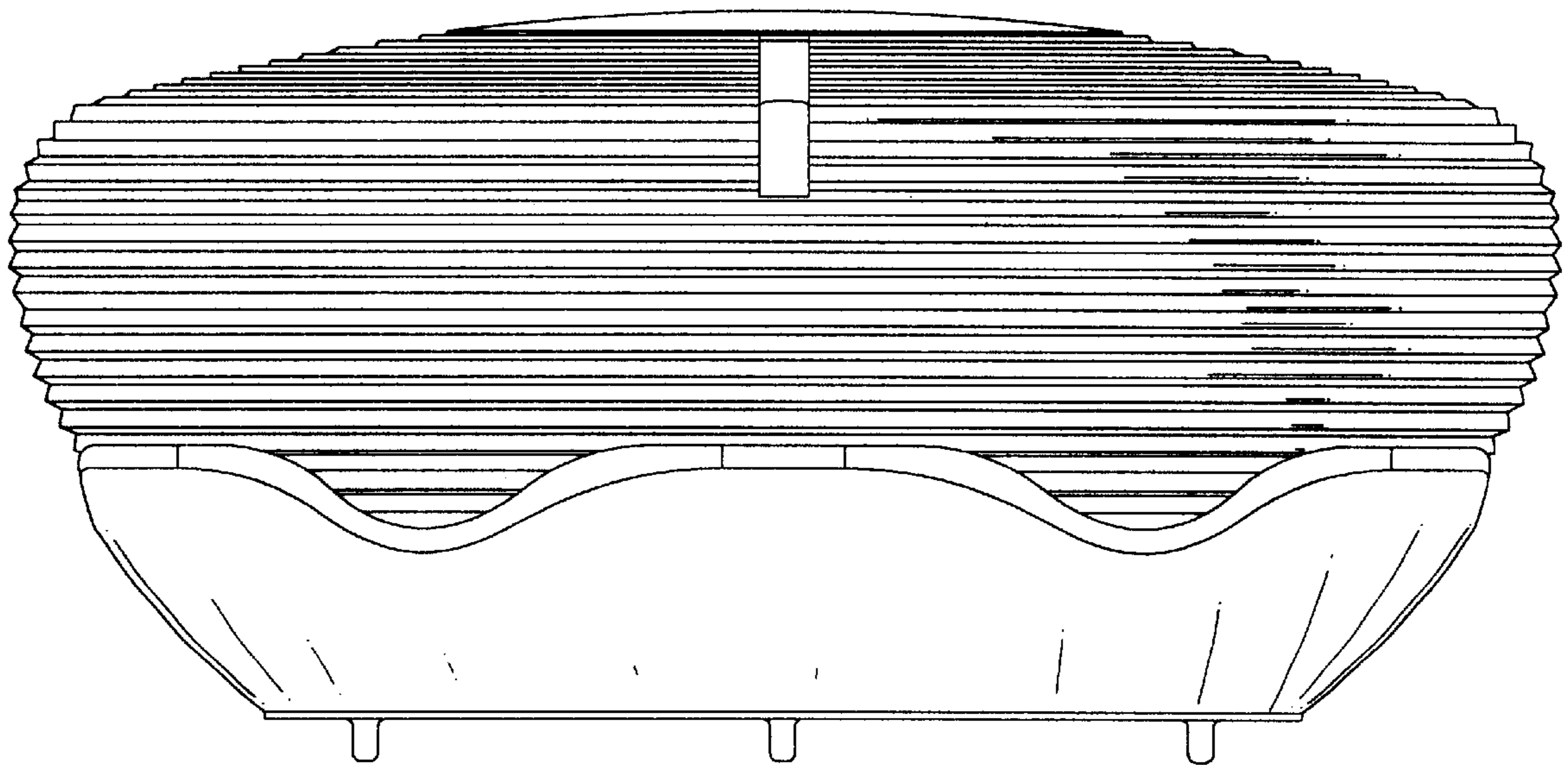


FIG.4

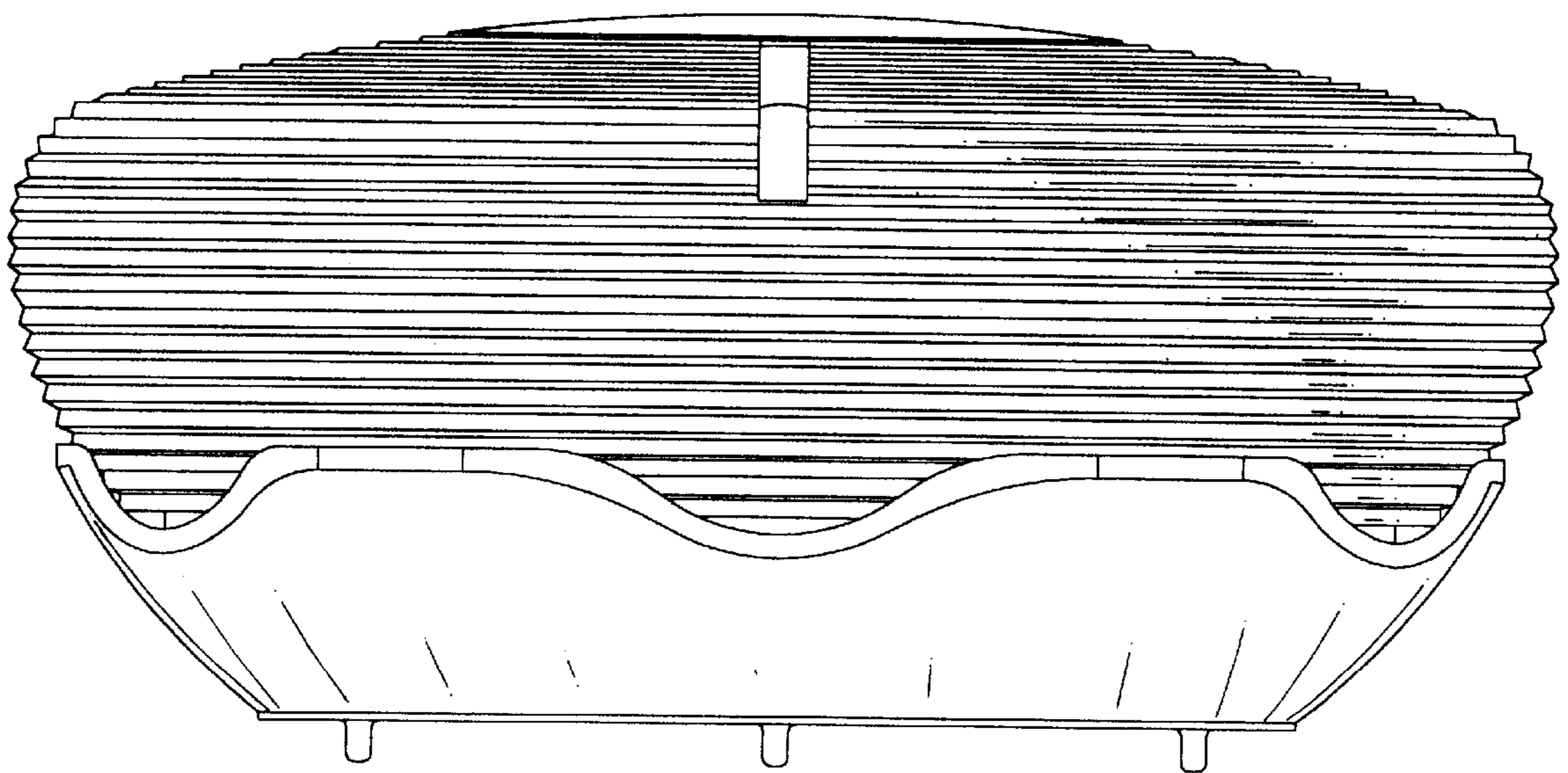


FIG. 5

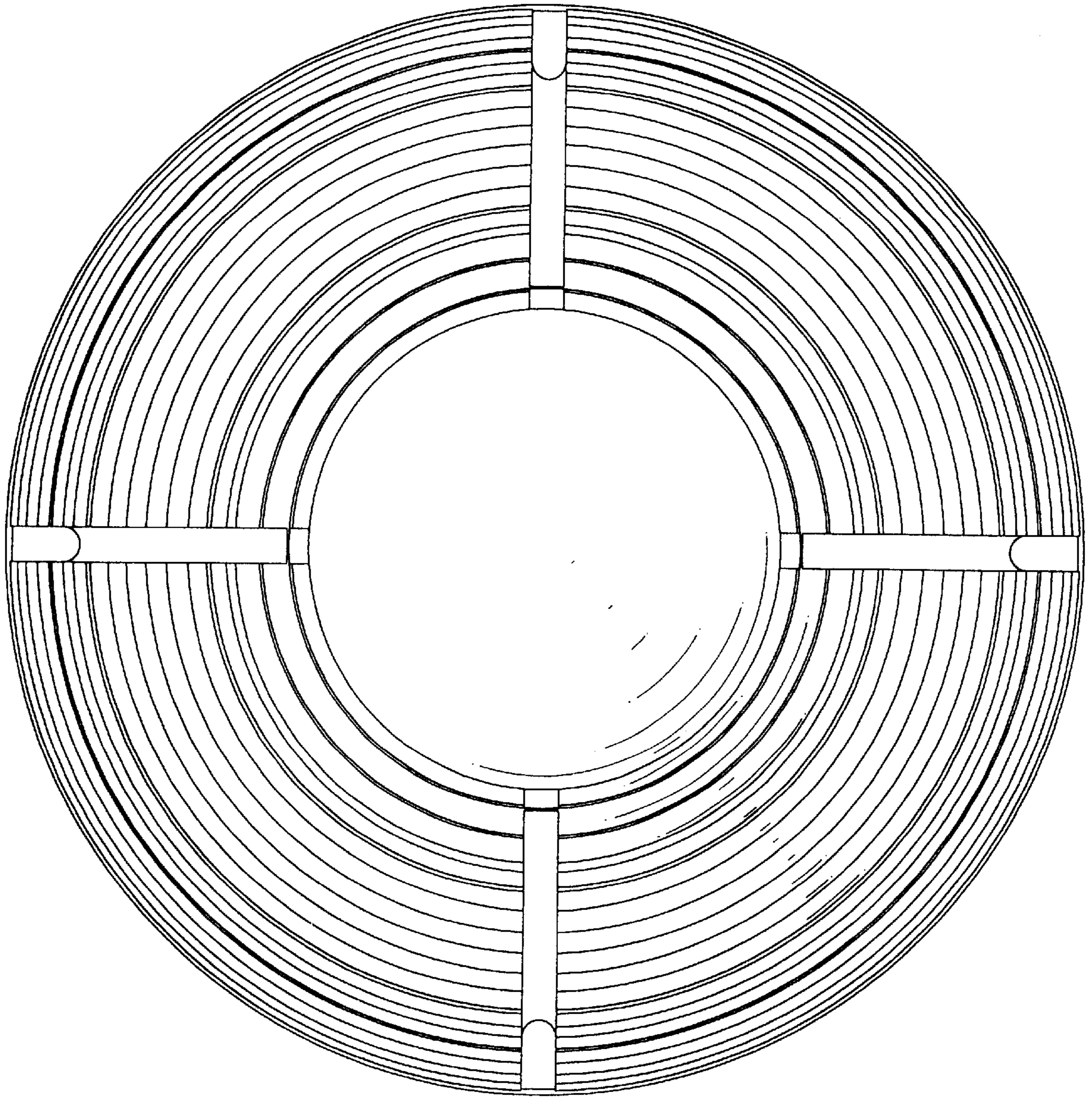


FIG. 6

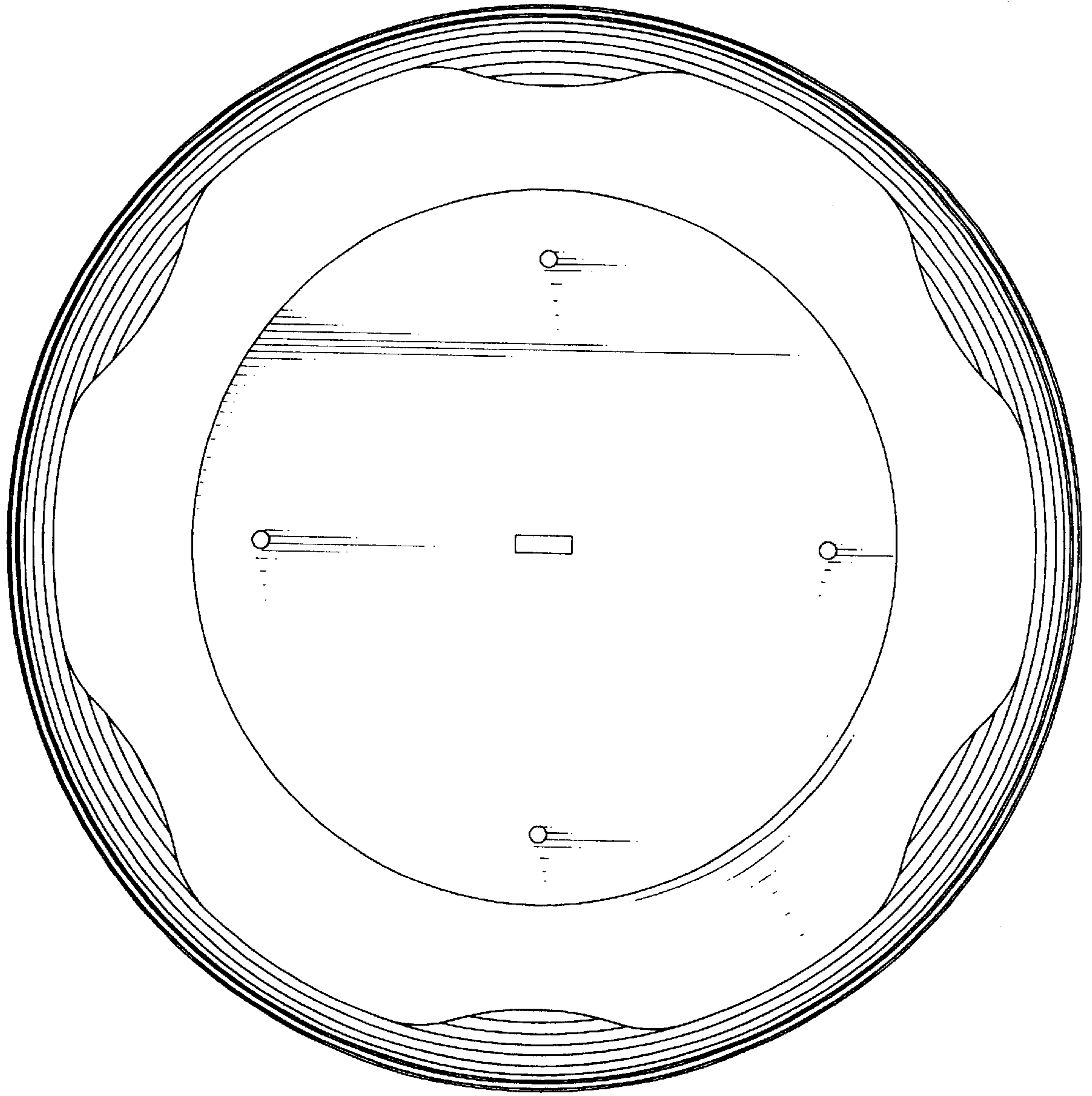


FIG. 7