



US00D454404S

(12) **United States Design Patent**  
**Merrick**

(10) **Patent No.:** **US D454,404 S**  
(45) **Date of Patent:** **\*\* Mar. 12, 2002**

- (54) **CENTURY FENCE POST FINIAL**
- (75) Inventor: **Richard James Merrick**, Alda, NE (US)
- (73) Assignee: **T.M.C., Inc.**, Alda, NE (US)
- (\*\*) Term: **14 Years**
- (21) Appl. No.: **29/116,402**
- (22) Filed: **Jan. 3, 2000**
- (51) **LOC (7) Cl.** ..... **25-01**
- (52) **U.S. Cl.** ..... **D25/135**
- (58) **Field of Search** ..... D25/135, 38; 256/65, 256/66; 52/300, 301

- D340,404 S 10/1993 Prezner
- 5,301,926 A 4/1994 Sharp
- D348,526 S 7/1994 Nowotny
- 5,332,196 A 7/1994 Wright
- 5,415,380 A 5/1995 Sharp
- 5,421,556 A 6/1995 Dodge et al.
- 5,529,289 A 6/1996 Lancer, Sr.
- 5,531,427 A 7/1996 Quarles
- 5,577,710 A 11/1996 Kirby
- 5,601,278 A 2/1997 Graber
- 5,601,279 A 2/1997 Schwartz et al.
- 5,651,534 A 7/1997 Yoder

(List continued on next page.)

**OTHER PUBLICATIONS**

Invention Disclosure Form for Pressure Fit System for Fence Post Tops, James Tommy Lee & Richard James Merrick, Dec. 17, 1999.

Invention Disclosure Form for Standard Deluxe Stackable Fence Post Top, Richard James Merrick, Dec. 17, 1999.

E-Mail from Richard James Merrick to Ria Farrell Schalnat, advertisement from Fencepost dated Jan./Feb. 2000, p. 22.

Invention Disclosure for Designs, Dec. 17, 1999.

Letter from A. Matt Kasap to Ria Farrell Schalnat, Nov. 17, 1999.

*Primary Examiner*—Doris Clark  
(74) *Attorney, Agent, or Firm*—Frost Brown Todd LLC

(57) **CLAIM**

The ornamental design for a century fence post finial, as shown and described.

**DESCRIPTION**

FIG. 1 is a front perspective view showing the century fence post finial of the present invention.

FIG. 2 is a top plan view showing the century fence post finial of the present invention.

FIG. 3 is a bottom plan view thereof.

FIG. 4 is a front elevational view thereof; and,

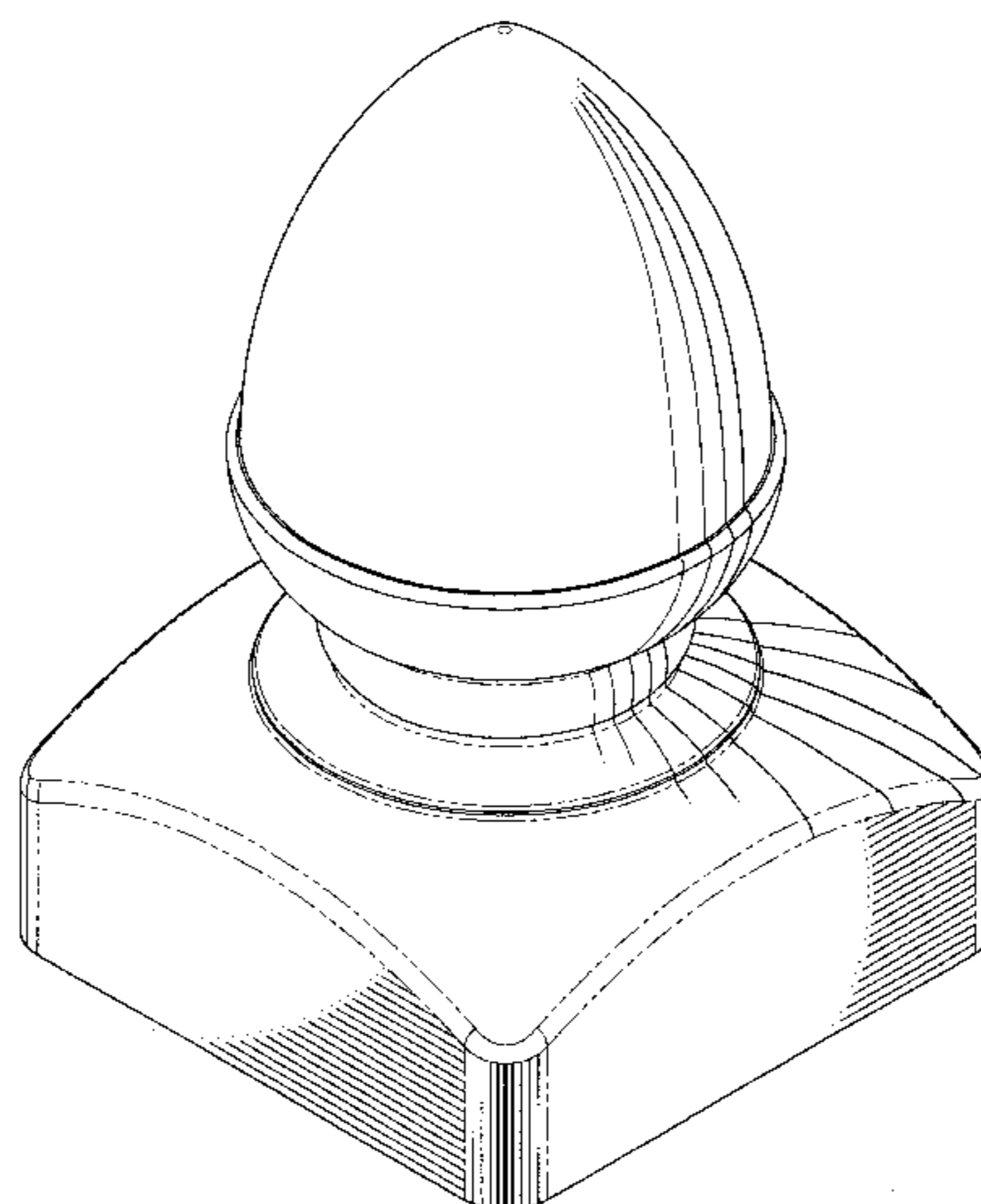
FIG. 5 is a side elevational view thereof.

**1 Claim, 4 Drawing Sheets**

(56) **References Cited**

**U.S. PATENT DOCUMENTS**

D186,379 S	*	10/1959	Ross	.....	D25/135
3,648,981 A		3/1972	Allen		
3,720,401 A		3/1973	Loch		
3,799,506 A		3/1974	Schwartz		
3,806,095 A		4/1974	Ford		
3,891,189 A		6/1975	Russo		
D239,038 S	*	3/1976	Hirst	.....	D25/135
D239,452 S	*	4/1976	Russo	.....	D25/135
3,957,250 A		5/1976	Murphy		
3,960,367 A		6/1976	Rogers		
4,103,875 A		8/1978	Glass		
4,240,615 A		12/1980	Sickler		
4,324,388 A		4/1982	Klaser		
4,364,546 A		12/1982	Lyman et al.		
D269,209 S		5/1983	Hegarty		
4,602,765 A		7/1986	Loper		
4,667,935 A		5/1987	Moore		
4,722,514 A		2/1988	Pettit		
4,809,955 A		3/1989	Veilleux		
4,883,256 A		11/1989	Hebda		
4,926,785 A		5/1990	Lamson		
4,991,823 A		2/1991	Stanish, Jr.		
5,078,367 A		1/1992	Simpson et al.		
5,149,060 A		9/1992	Boes		
5,150,885 A		9/1992	Leone		
5,192,054 A		3/1993	Sharp		



# US D454,404 S

Page 2

---

## U.S. PATENT DOCUMENTS

D382,984 S	*	8/1997	Junell .....	D25/135	5,853,167 A	12/1998	West
5,660,376 A		8/1997	West		5,857,664 A	1/1999	Schauman
5,702,090 A		12/1997	Edgman		5,931,450 A	8/1999	Yoder
D391,377 S		2/1998	Langlie et al.		5,938,184 A	8/1999	DeSouza
D399,263 S		10/1998	Christopher				

\* cited by examiner

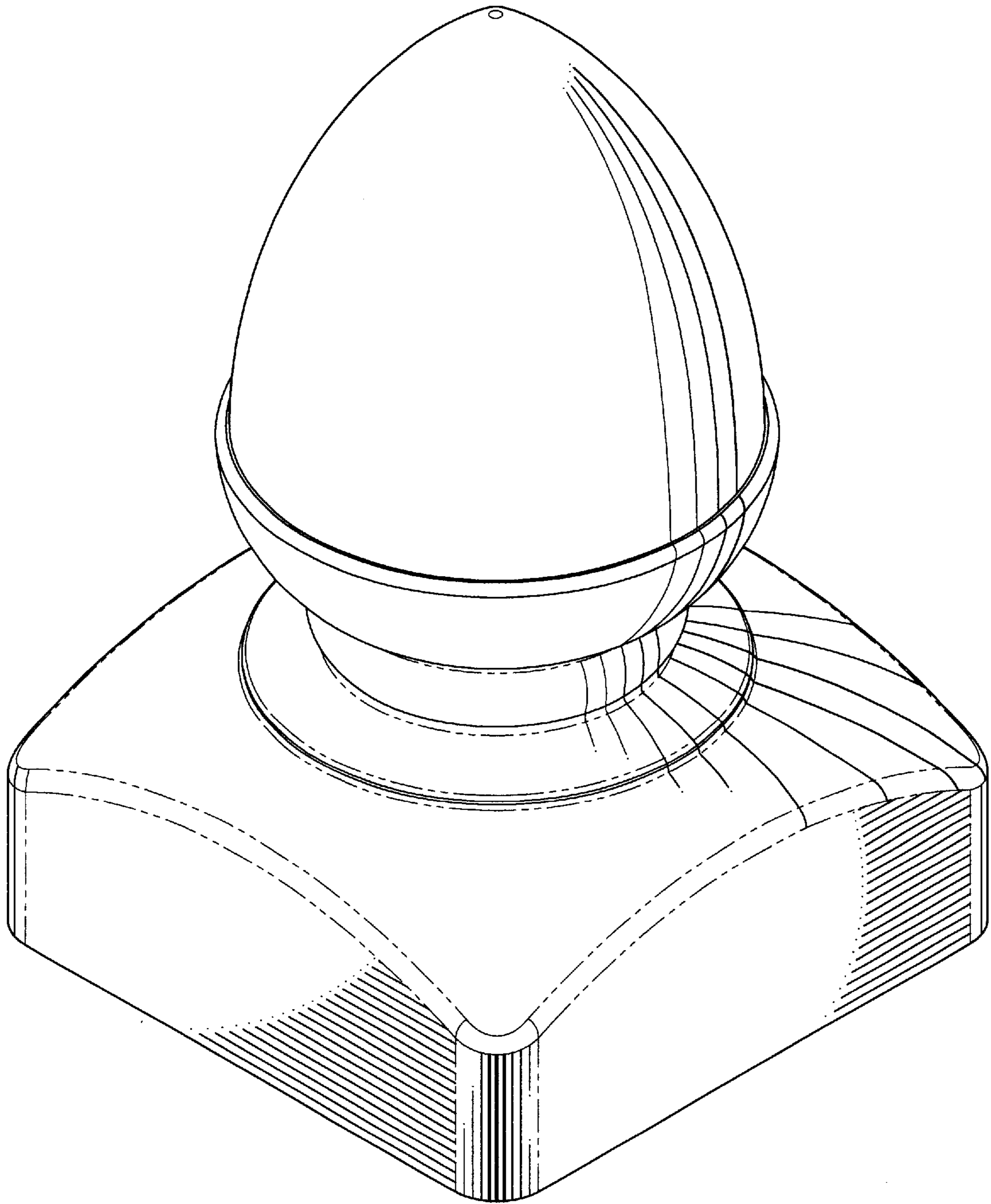


FIG. 1

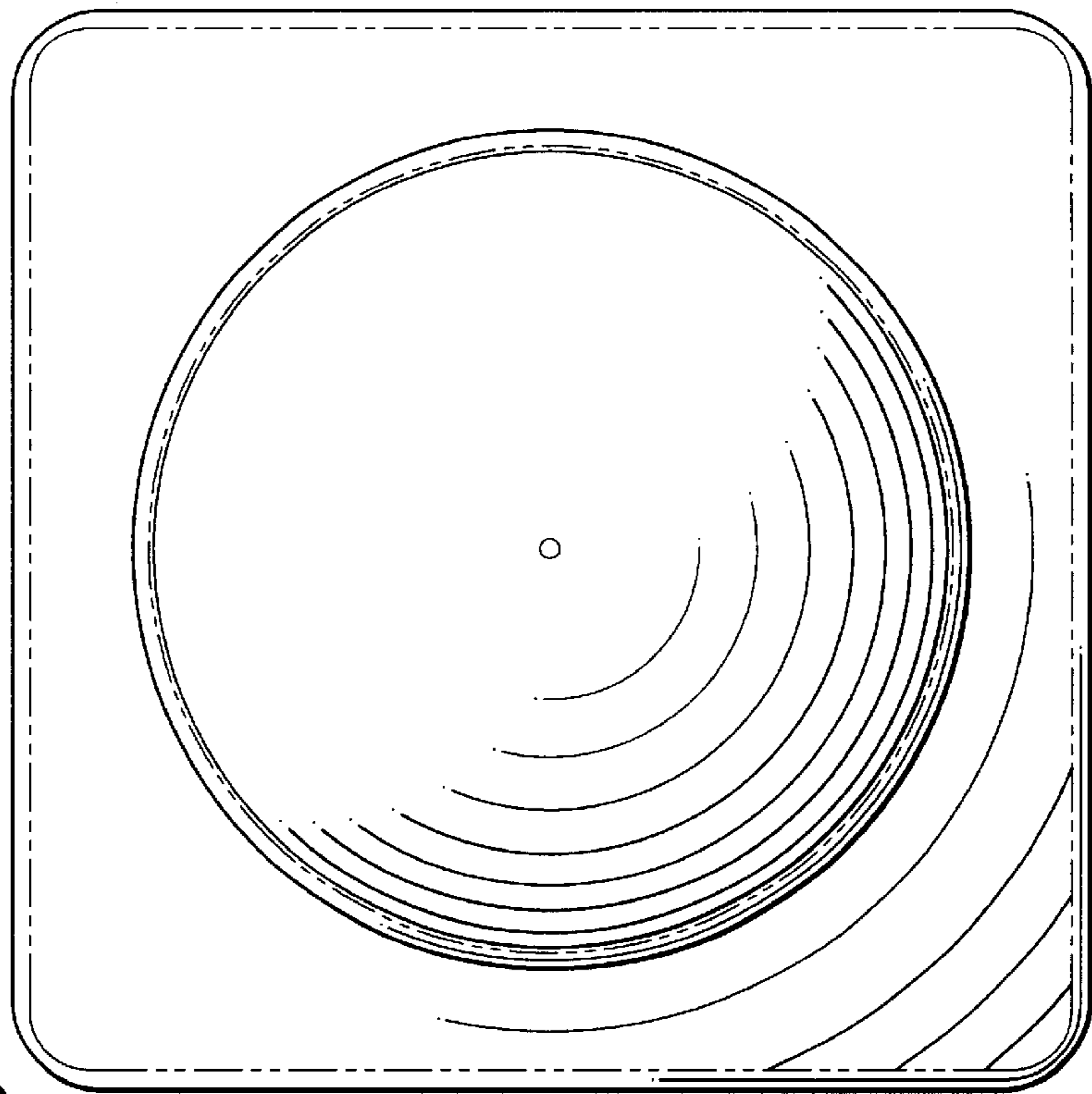


FIG. 2

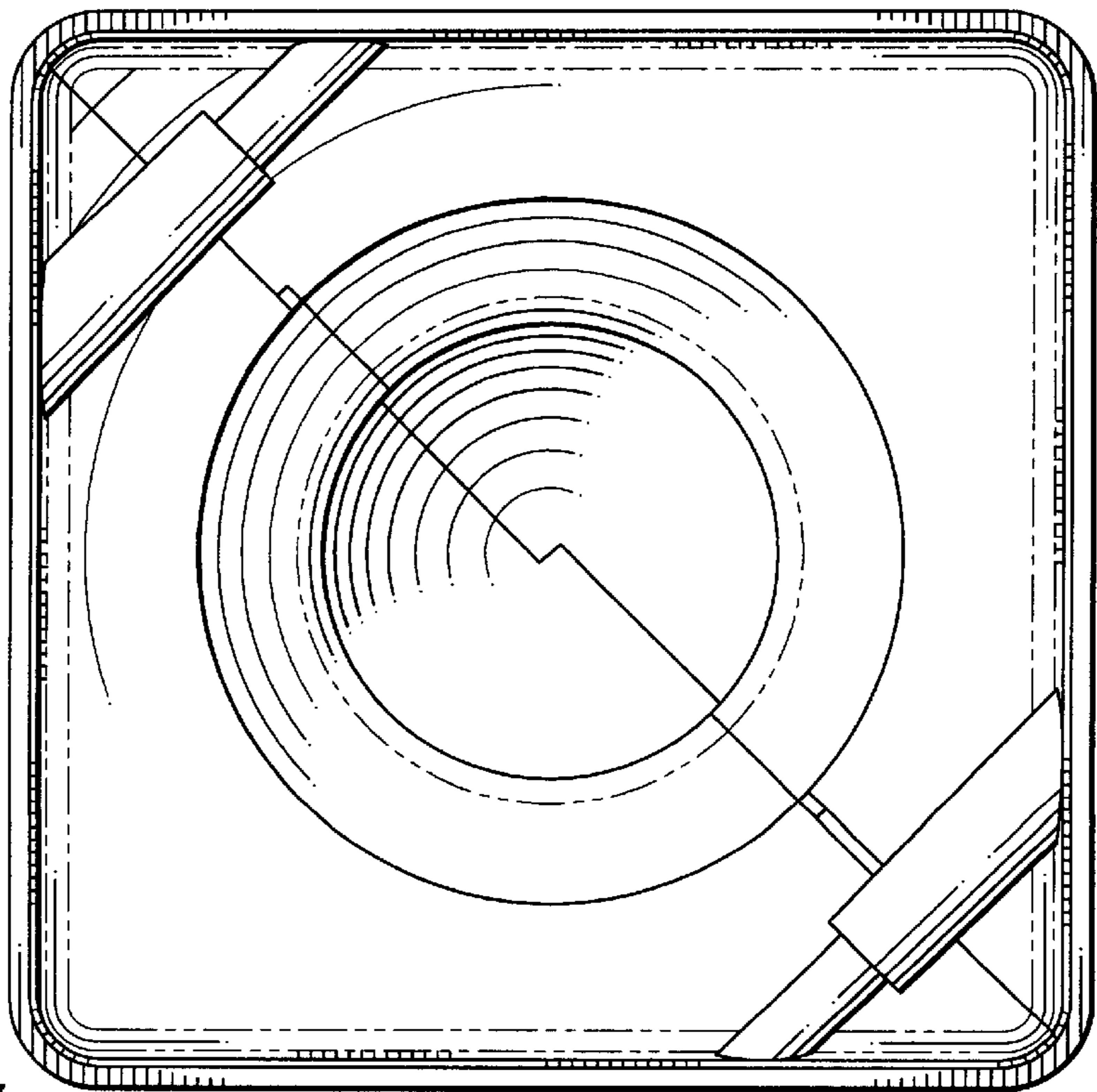


FIG. 3



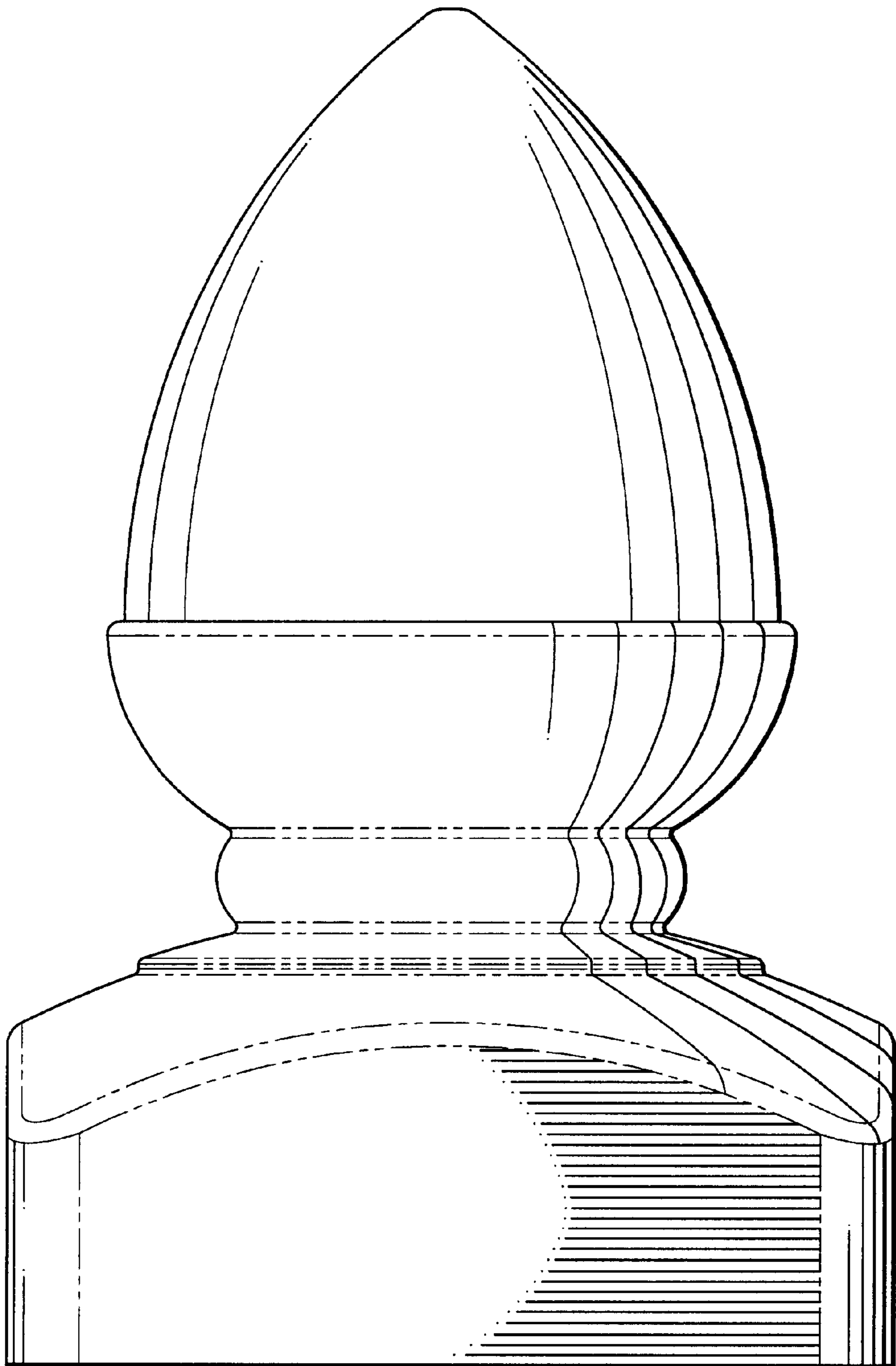


FIG. 4

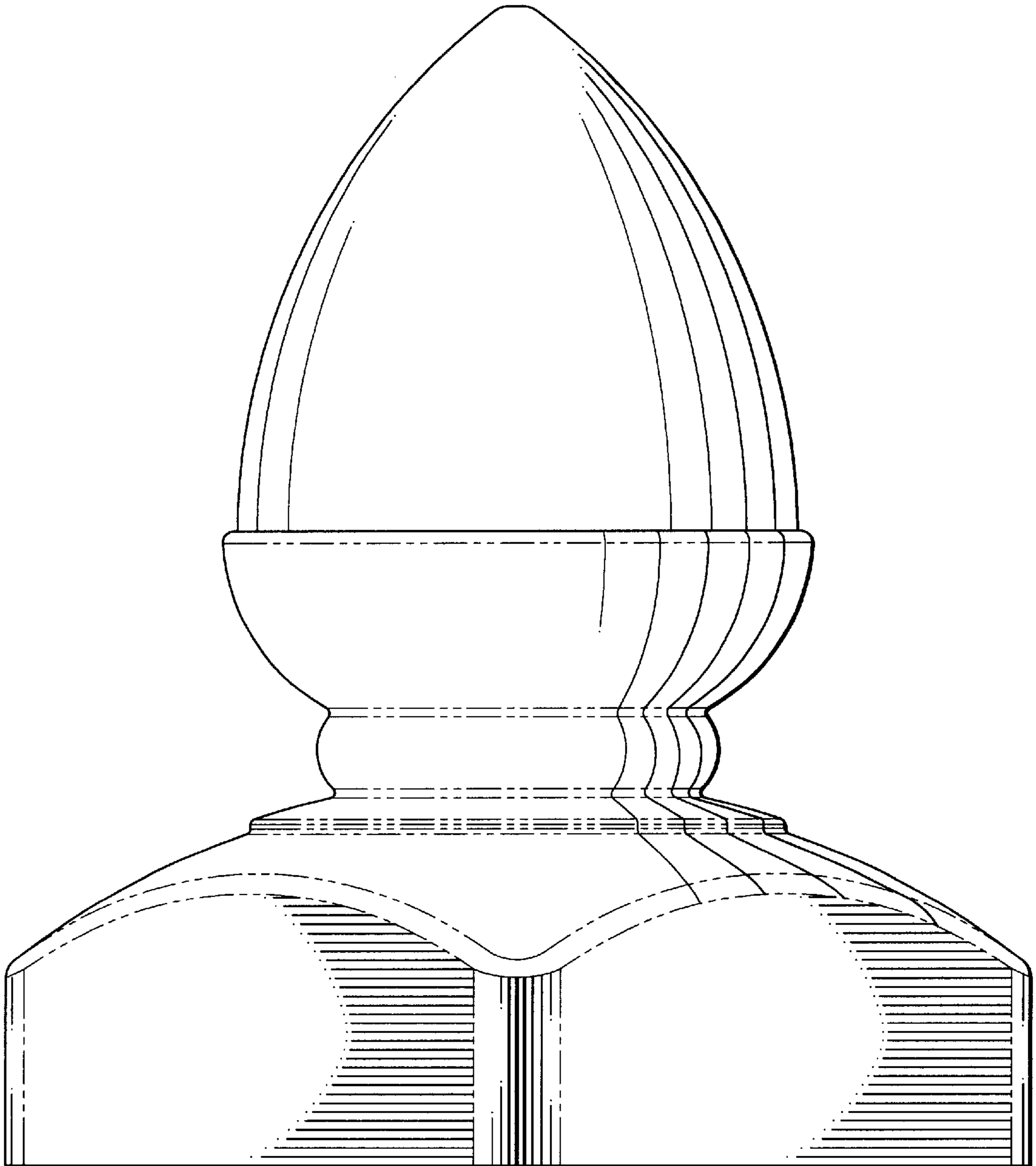


FIG. 5