



US00D454403S

(12) **United States Design Patent**
Naccarato et al.

(10) **Patent No.:** **US D454,403 S**
(45) **Date of Patent:** **** Mar. 12, 2002**

(54) **OPEN WEB DISSYMMETRIC BEAM**

(76) Inventors: **Peter A. Naccarato**, 7000 Tulip St., Philadelphia, PA (US) 19135; **John A. Costanza**, 407 Kings Hwy., Cherry Hill, NJ (US) 08033; **Daniel G. Fisher**, 215 Munn La., Cherry Hill, NJ (US) 08034

(**) Term: **14 Years**

(21) Appl. No.: **29/122,473**

(22) Filed: **Apr. 27, 2000**

(51) **LOC (7) Cl.** **25-01**

(52) **U.S. Cl.** **D25/128**

(58) **Field of Search** 52/649.2, 650.1, 52/634; D25/126, 128, 132

(56) **References Cited**

U.S. PATENT DOCUMENTS

953,024 A * 3/1910 Dujardin 52/649.2
D265,688 S * 8/1982 Bissu D25/128
5,588,273 A * 12/1996 Csagoly 52/650.1

* cited by examiner

Primary Examiner—Doris Clark

(74) *Attorney, Agent, or Firm*—Armand M. Vozzo, Jr.

(57) **CLAIM**

The ornamental design for an open web dissymmetric beam, as shown and described.

DESCRIPTION

FIG. 1 is a top perspective view of our design for an open web dissymmetric beam;

FIG. 2 is a view in elevation from either side of the open web dissymmetric beam shown in FIG. 1;

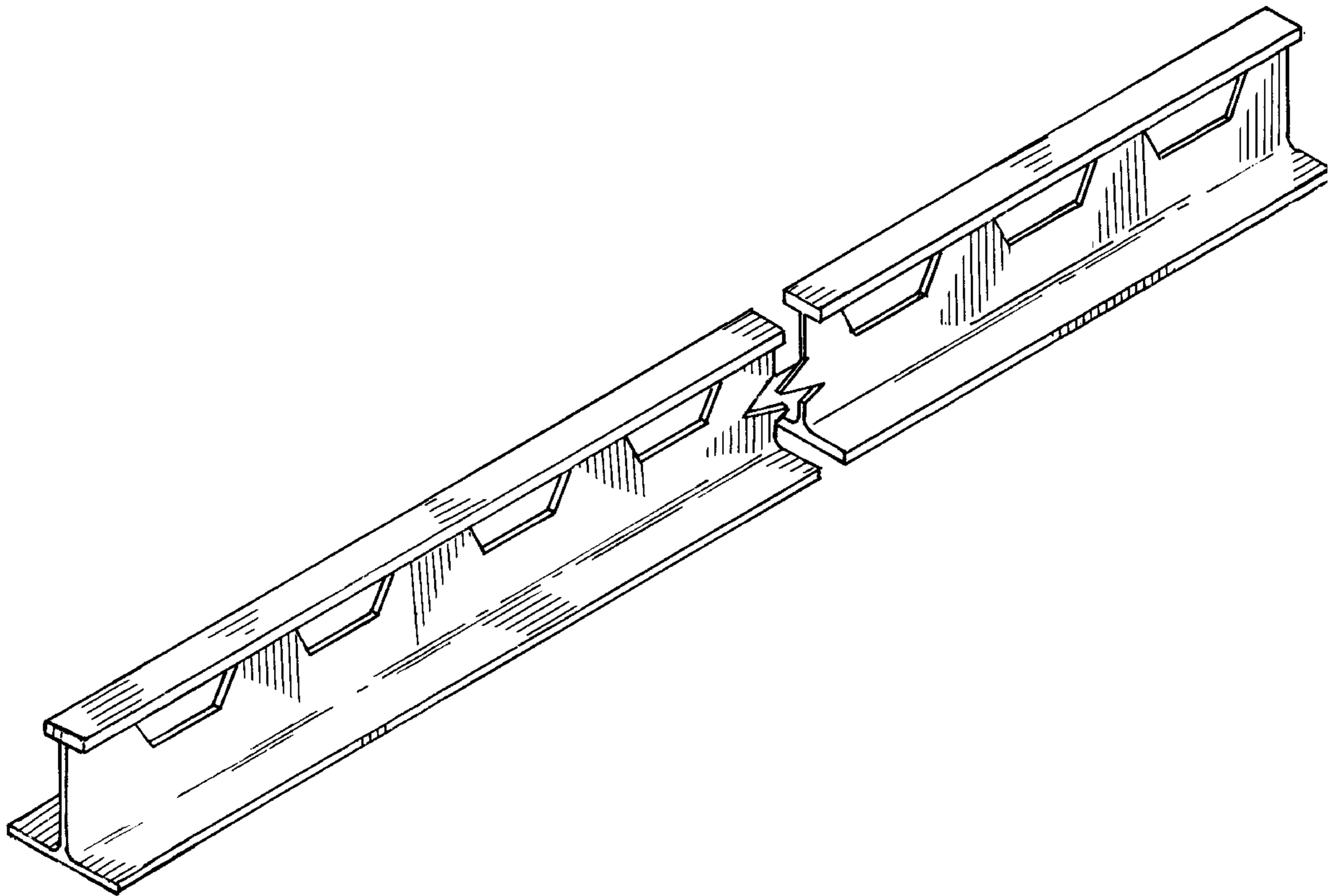
FIG. 3 is a top plan view of the open web dissymmetric beam shown in FIG. 2;

FIG. 4 is a bottom plan view of the open web dissymmetric beam shown in FIG. 2; and,

FIG. 5 is a view in elevation from either end of the open web dissymmetric beam of the present design.

The open web dissymmetric beam in broken is the center indicating indefinite length.

1 Claim, 2 Drawing Sheets



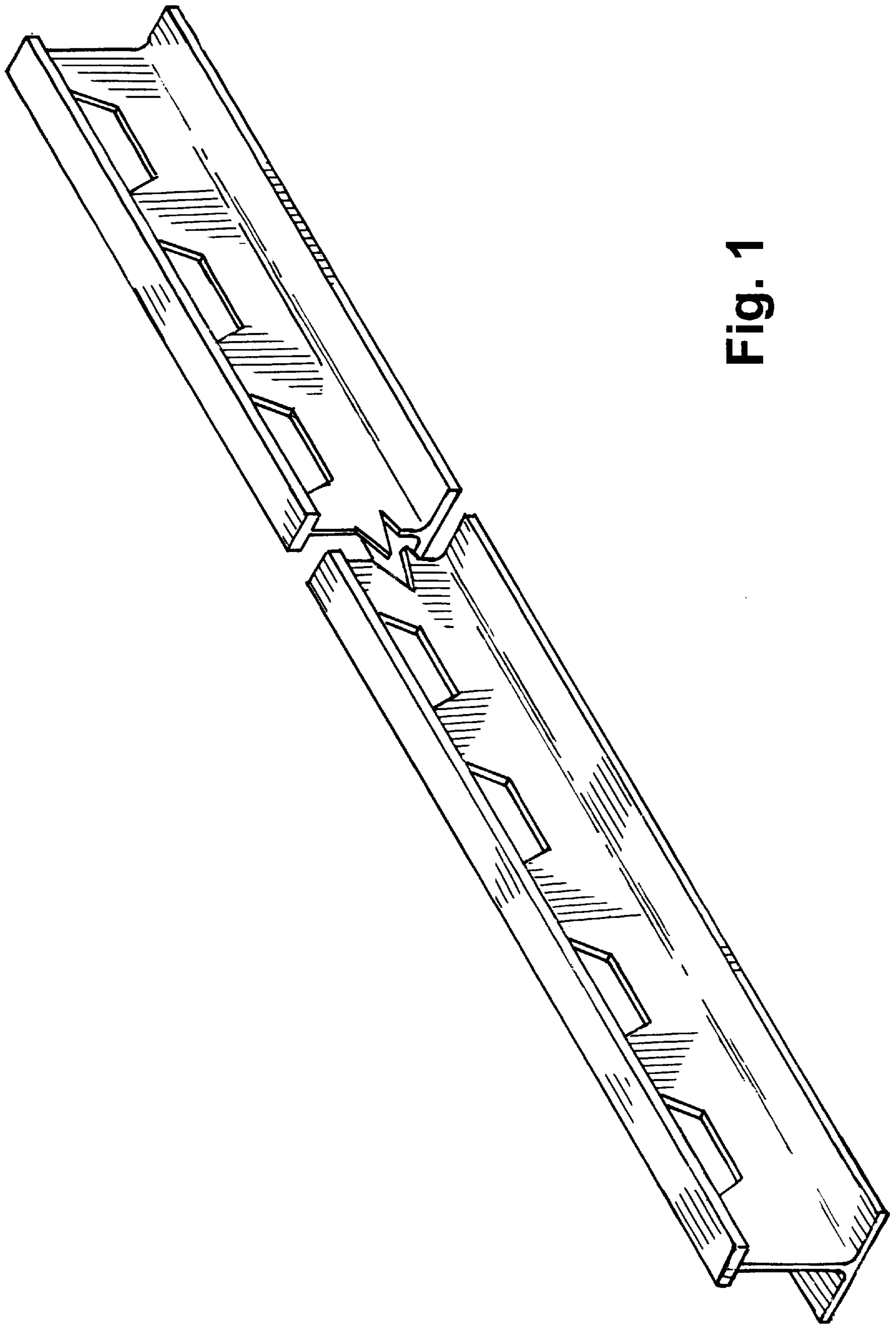


Fig. 1

