



US00D454400S

(12) **United States Design Patent**  
Nored

(10) **Patent No.:**

**US D454,400 S**

(45) **Date of Patent:**

**\*\* Mar. 12, 2002**

(54) **LABORATORY TABLE**

(75) Inventor: **Billy Gary Nored**, Paris, TN (US)

(73) Assignee: **Mohon International, Inc.**, Paris, TN (US)

(\*\*) Term: **14 Years**

(21) Appl. No.: **29/134,456**

(22) Filed: **Dec. 21, 2000**

(51) **LOC (7) Cl.** ..... **06-03**

(52) **U.S. Cl.** ..... **D24/234; D6/486**

(58) **Field of Search** ..... **D24/234; D6/486, D6/422, 495; 108/25, 33, 38, 41, 150**

(56) **References Cited**

**U.S. PATENT DOCUMENTS**

D101,102 S	9/1936	Bower	
D141,359 S	5/1945	Carlson et al.	
D173,281 S	10/1954	Morrison	
D184,887 S	4/1959	Ogg et al.	
D188,418 S	7/1960	Salveson	
3,111,095 A	11/1963	Goodman	
D198,167 S	5/1964	Allen	
D204,259 S	* 4/1966	Wells	D24/234
D208,908 S	* 10/1967	Wells	D24/234
D215,281 S	* 9/1969	Carlson	D24/234

3,560,046 A	2/1971	Brosk	
3,828,695 A	8/1974	Skarky	
3,856,372 A	* 12/1974	Carlson et al.	108/150
D251,250 S	3/1979	Levine	
D337,901 S	8/1993	van den Nieuwelaar	
6,085,665 A	7/2000	Smith et al.	

\* cited by examiner

*Primary Examiner*—Ian Simmons

(74) *Attorney, Agent, or Firm*—Jones,Day,Reavis & Pogue

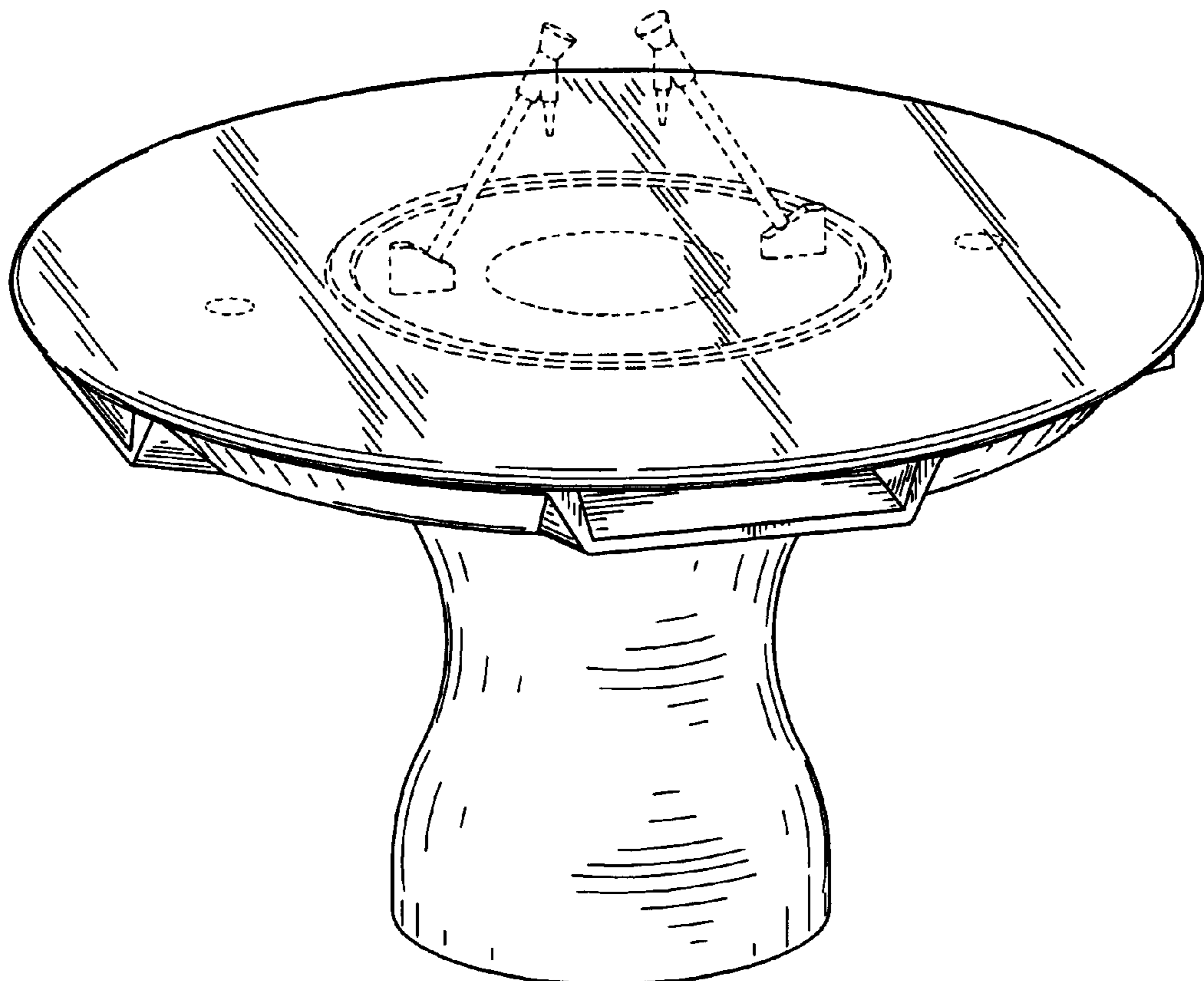
(57) **CLAIM**

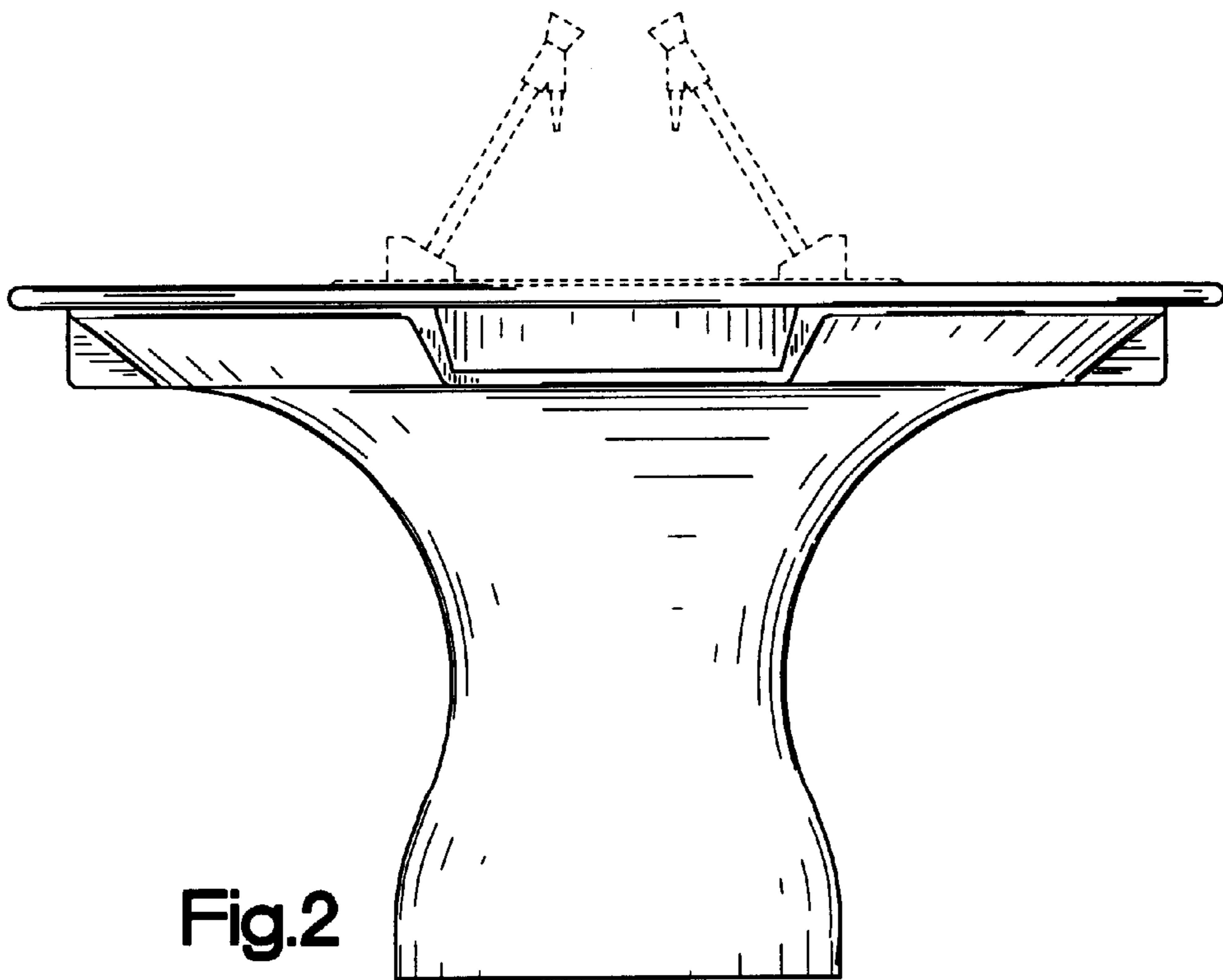
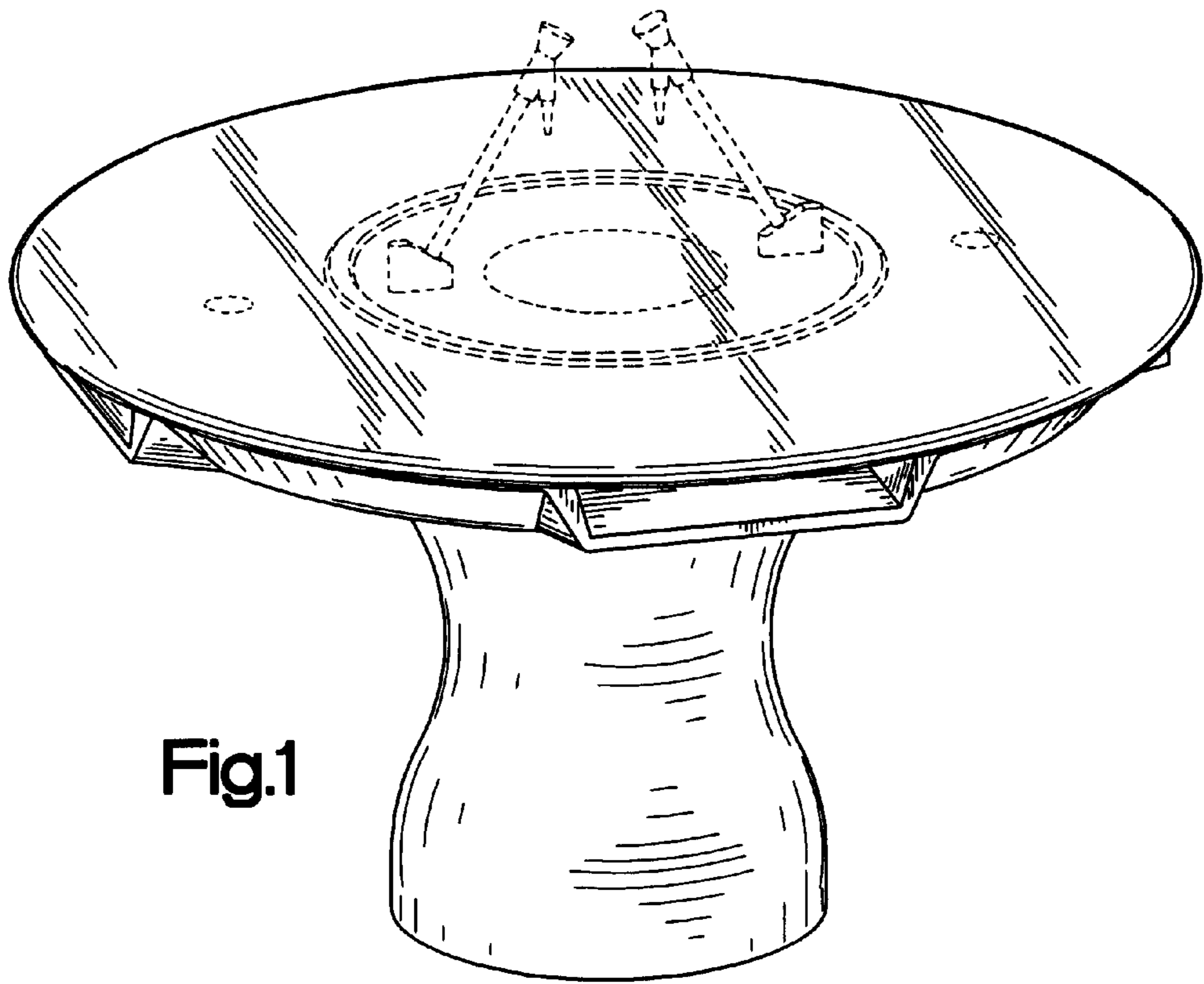
I claim the ornamental design for a laboratory table, as shown and described.

**DESCRIPTION**

FIG. 1 is a perspective view of a laboratory table embodying the ornamental design of the present invention; FIG. 2 is a front view of the laboratory table; FIG. 3 is a rear view of the laboratory table; FIG. 4 is a side view of the laboratory table; FIG. 5 is an opposite side view of the laboratory table; FIG. 6 is a top view of the laboratory table; and, FIG. 7 is a bottom view of the laboratory table. The broken line showings of FIGS. 1-7 are for illustrative purposes only and form no part of the claimed design.

**1 Claim, 4 Drawing Sheets**





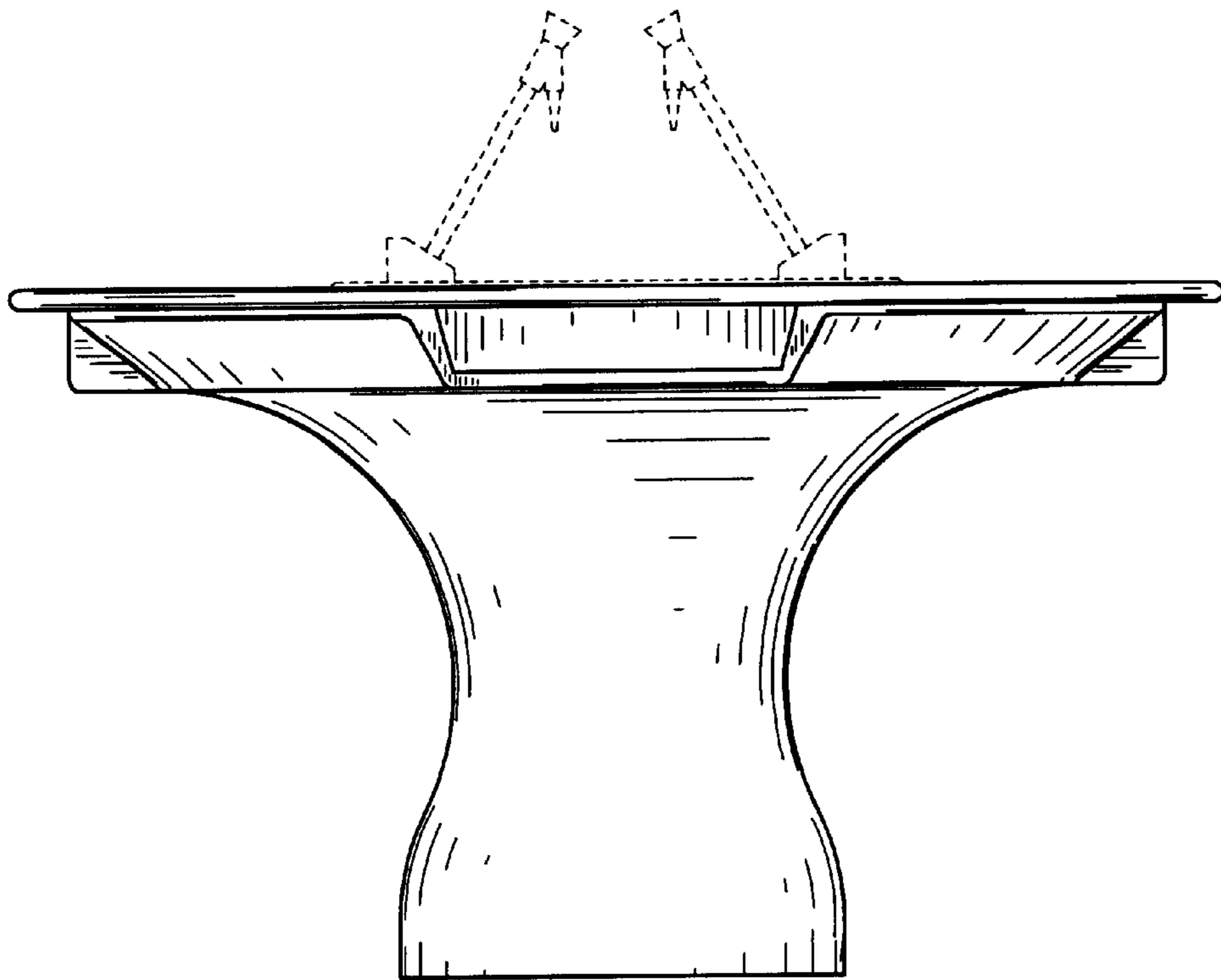


Fig.3

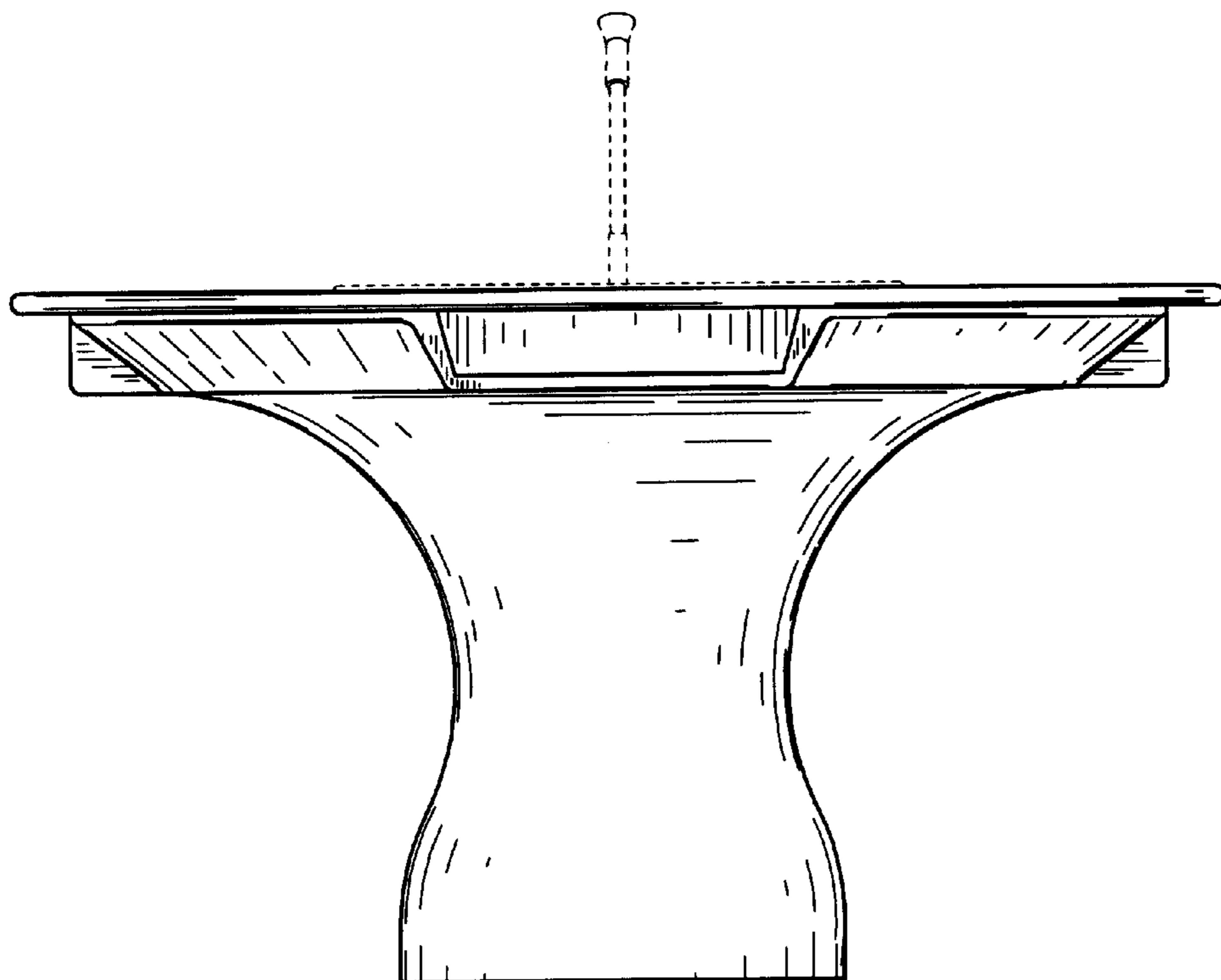


Fig.4

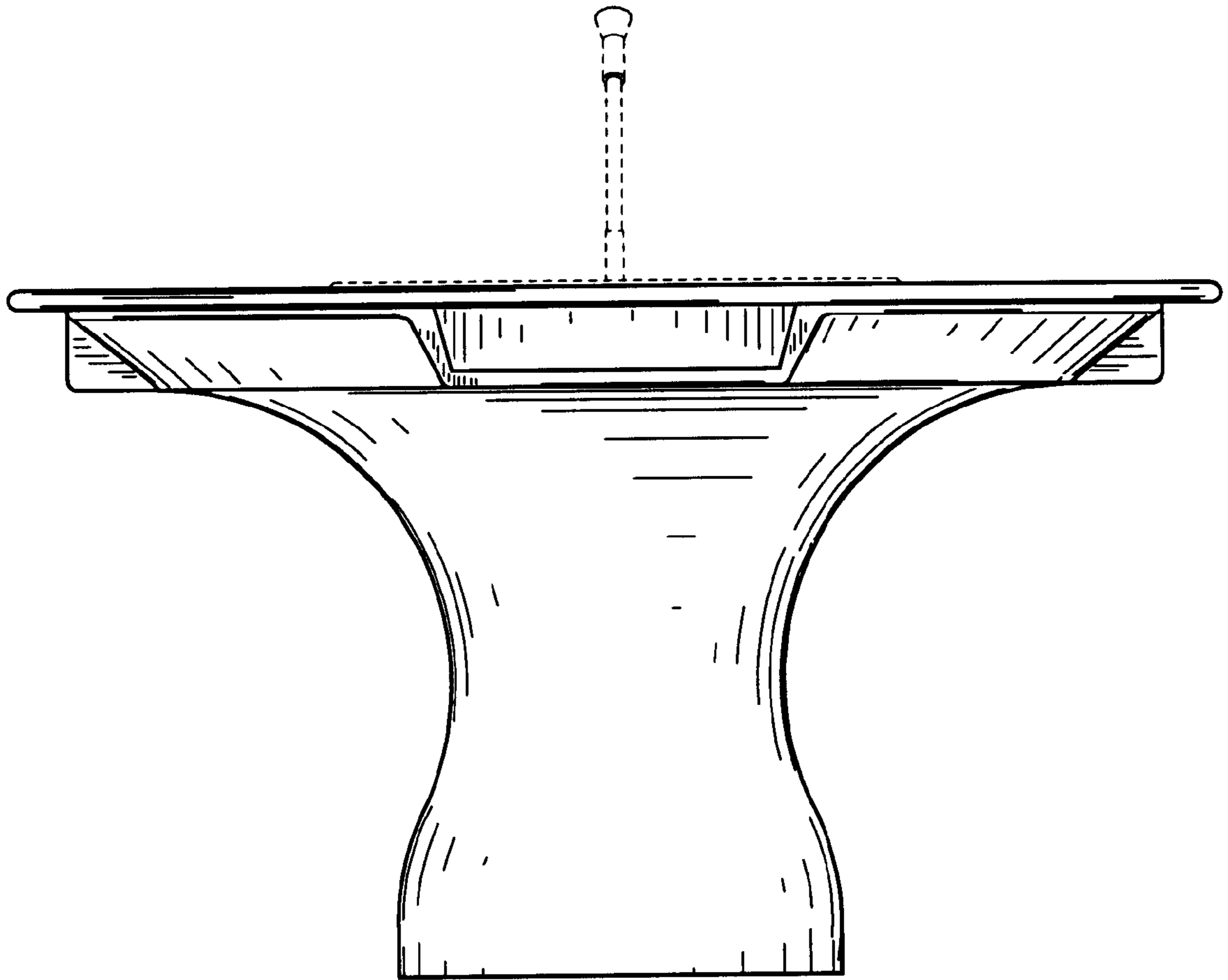


Fig.5

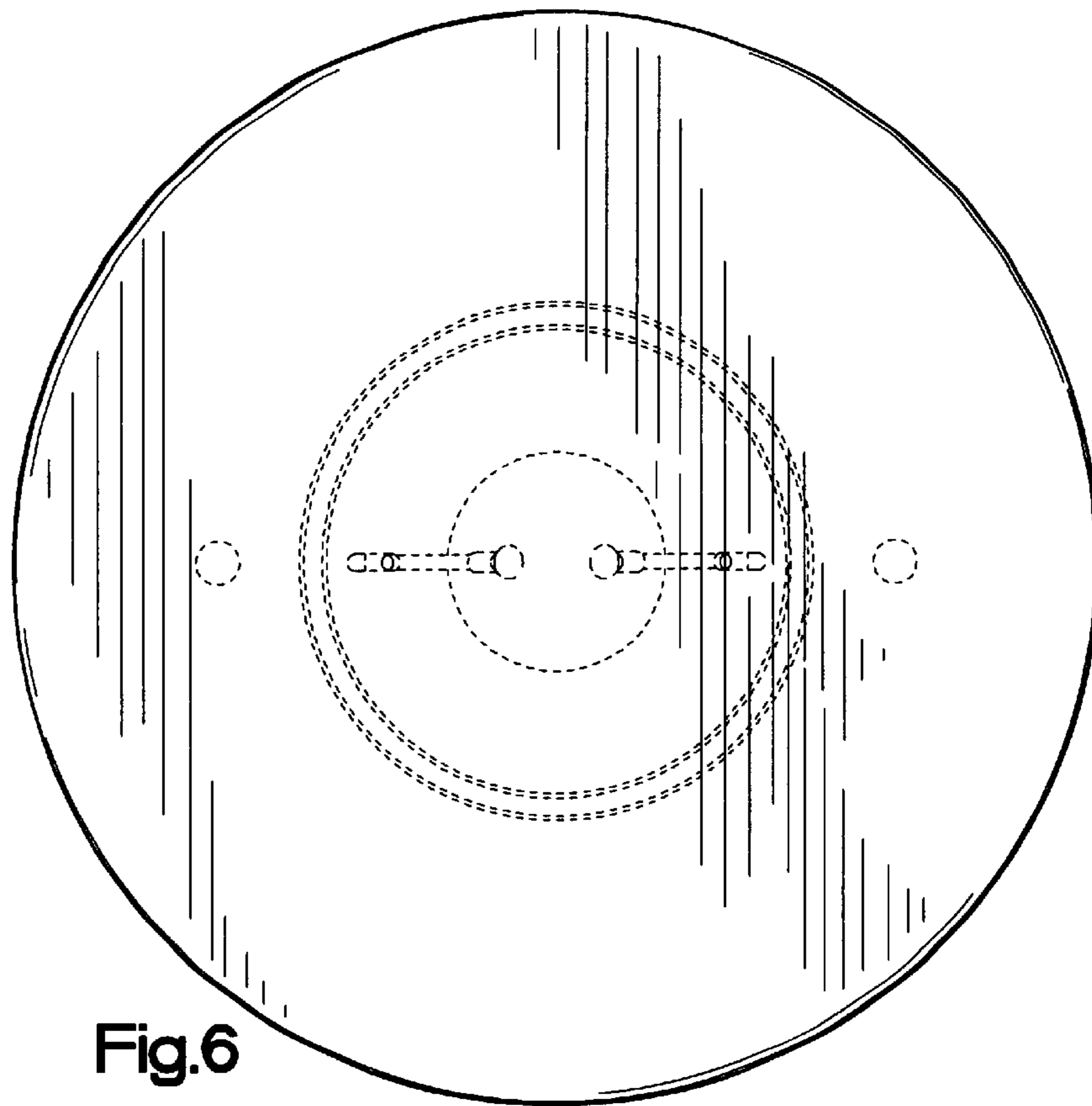


Fig.6

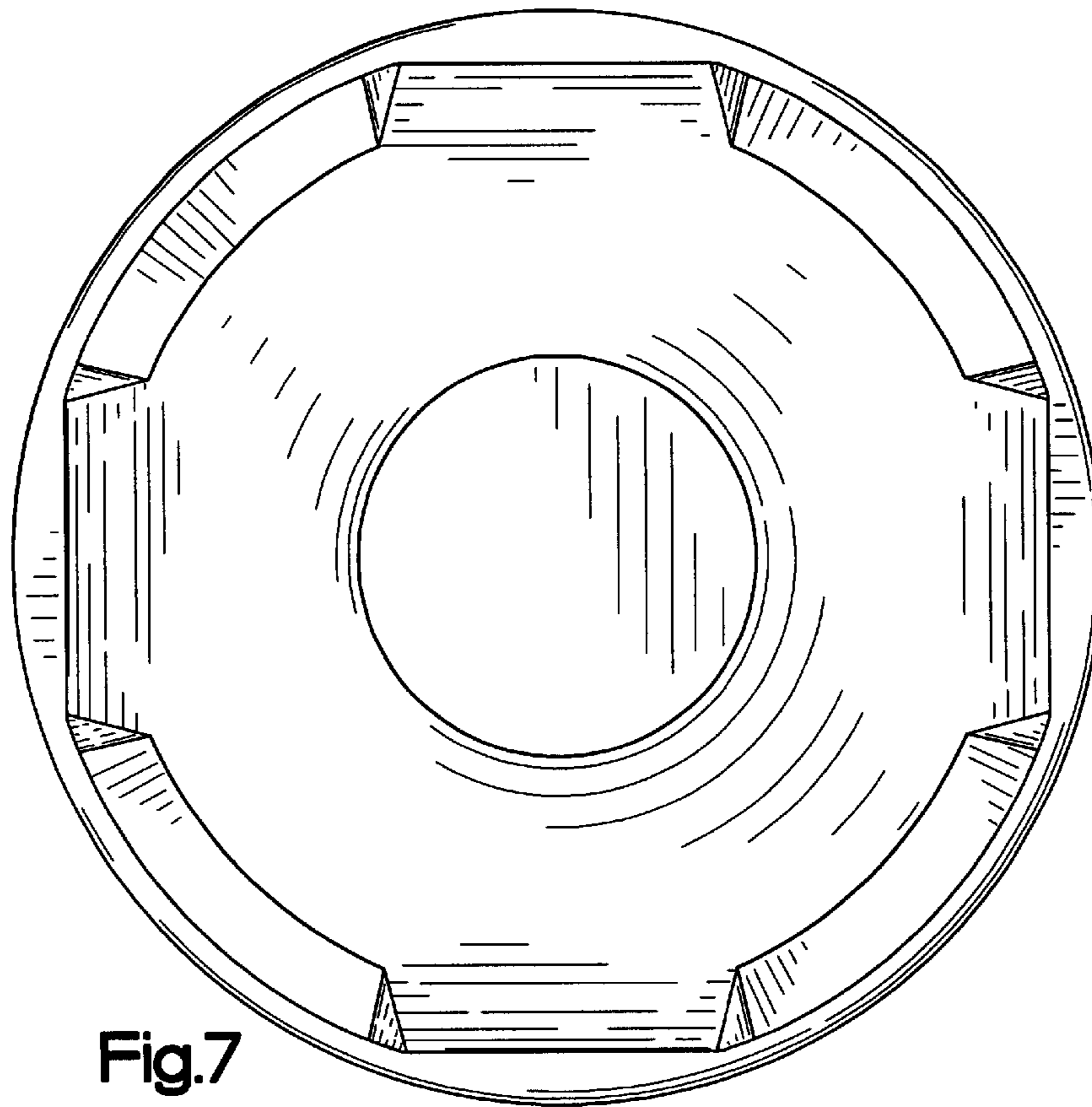


Fig.7