



US00D454399S

(12) **United States Design Patent**
Doms et al.

(10) **Patent No.:** **US D454,399 S**

(45) **Date of Patent:** **** *Mar. 12, 2002**

(54) **EXTERIOR HOUSING FOR AN ANALYTICAL INSTRUMENT**

D399,964 S * 10/1998 Katayama et al. D24/232 X

* cited by examiner

(75) Inventors: **Lutz Doms**, Port Chester, NY (US);
Julian Schlagheck, Munich (DE)

Primary Examiner—Louis S. Zarfes

Assistant Examiner—I Simmons

(73) Assignee: **Bayer Corporation**, Tarrytown, NY (US)

(74) *Attorney, Agent, or Firm*—Andrew L. Klawitter; John M. Paolino

(*) Notice: This patent is subject to a terminal disclaimer.

(57) **CLAIM**

The ornamental design for an exterior housing for an analytical instrument, as shown and described.

(**) Term: **14 Years**

DESCRIPTION

(21) Appl. No.: **29/090,686**

FIG. 1 is a perspective view of the exterior housing for an analytical instrument showing our new design, the broken line showing is for illustrative purposes only and forms no part of the claimed design.

(22) Filed: **Jul. 14, 1998**

FIG. 2 is a perspective view similar to FIG. 1 except without the additional features shown in phantom;

(51) **LOC (7) Cl.** **24-01**

(52) **U.S. Cl.** **D24/231; D24/232**

(58) **Field of Search** D24/231, 232, D24/107, 185, 186; D10/81, 75; D14/103, 102; 422/62, 63, 64, 65, 66

FIG. 3 is a front view of the instrument shown in FIG. 2;

FIG. 4 is a left view of the instrument shown in FIG. 2;

FIG. 5 is a right view of the instrument shown in FIG. 2;

FIG. 6 is a top view of the instrument shown in FIG. 2; and

FIG. 7 is a rear view of the instrument shown in FIG. 2.

The bottom of the exterior housing for an analytical instrument forms no part of the claimed design.

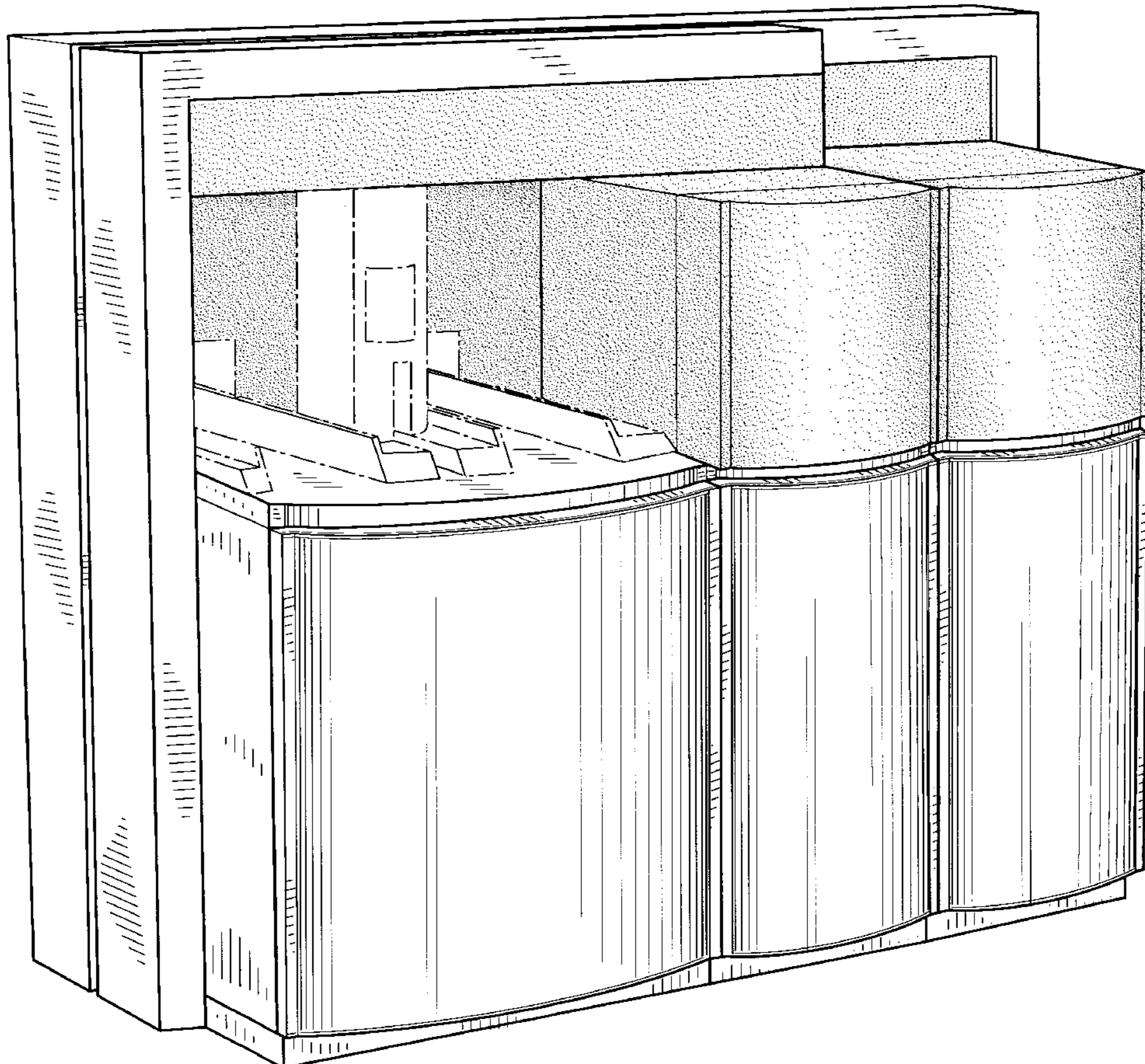
(56) **References Cited**

U.S. PATENT DOCUMENTS

D304,307 S * 10/1989 Nagai et al. D24/232 X

5,665,315 A * 9/1997 Robert et al. 422/63 X

1 Claim, 6 Drawing Sheets



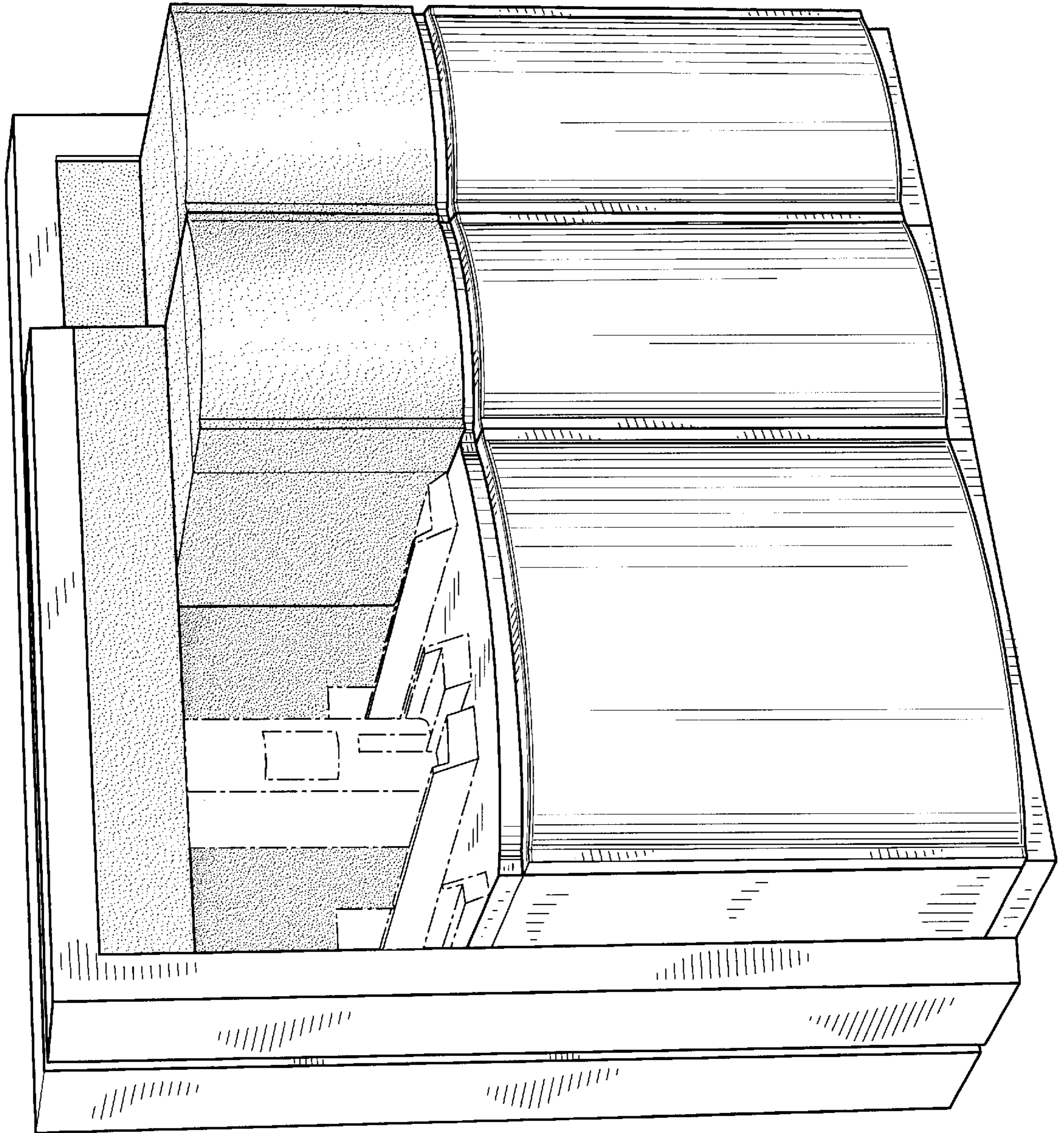


FIG. 1

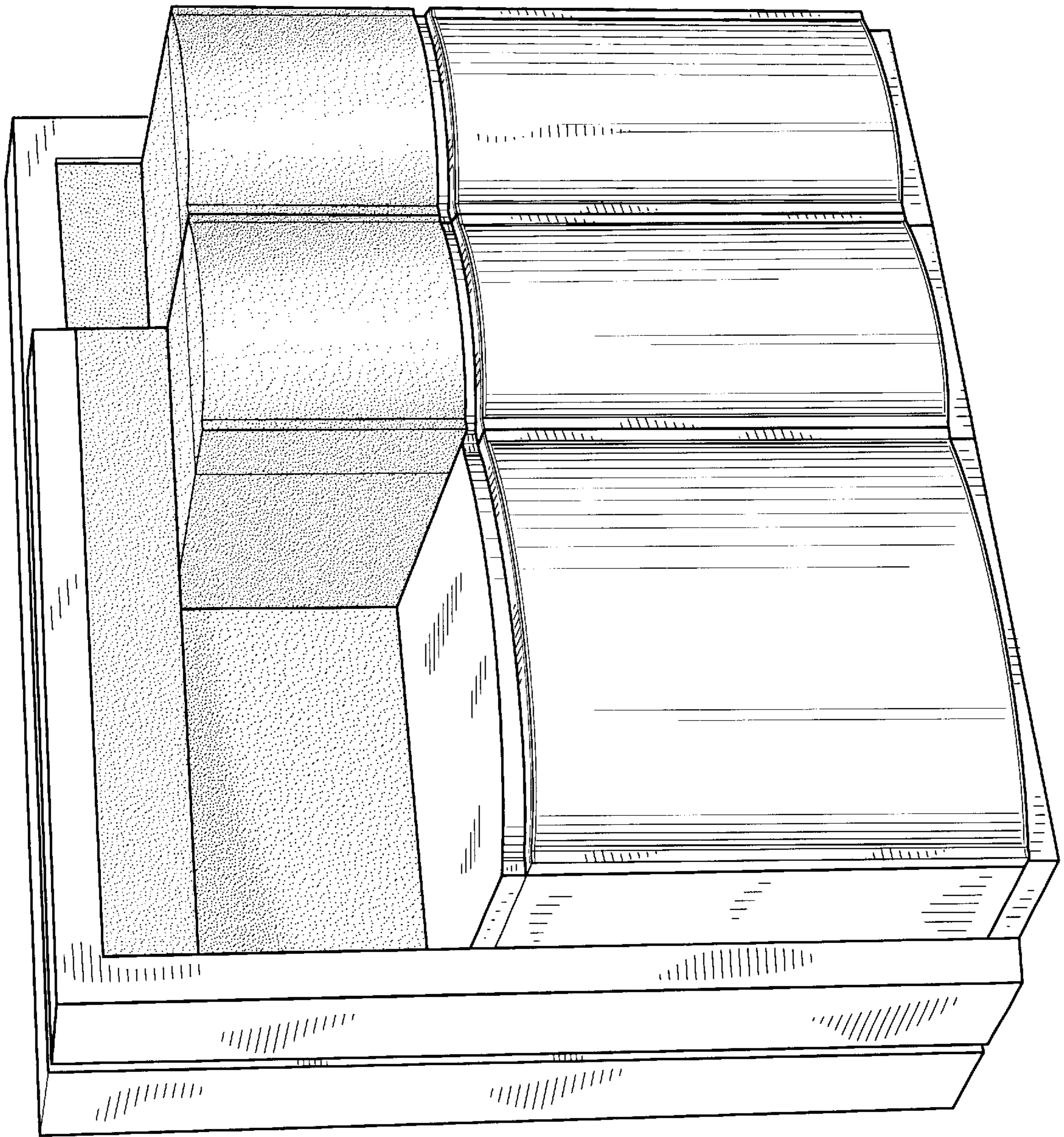


FIG. 2

FIG. 3

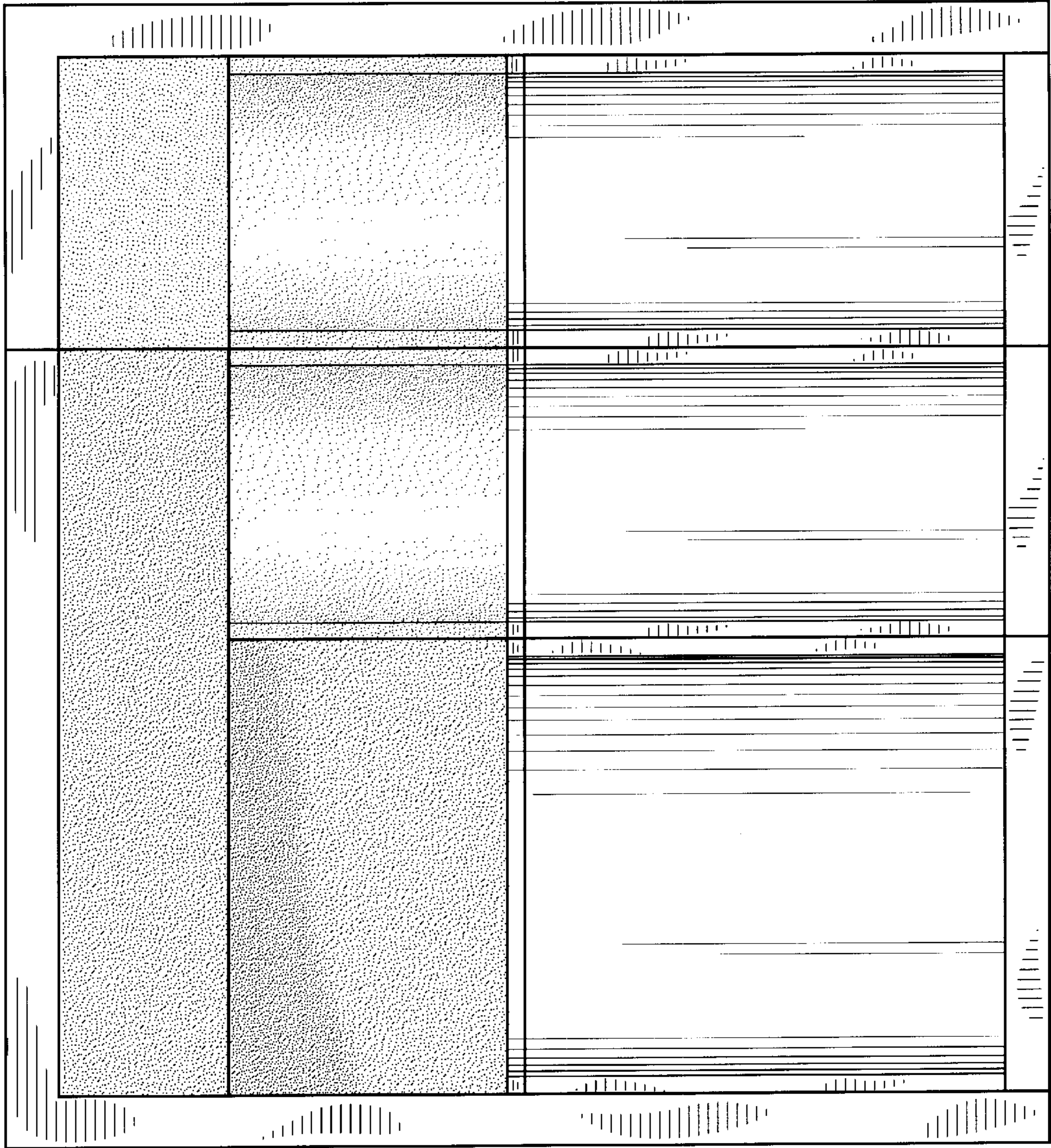


FIG. 5

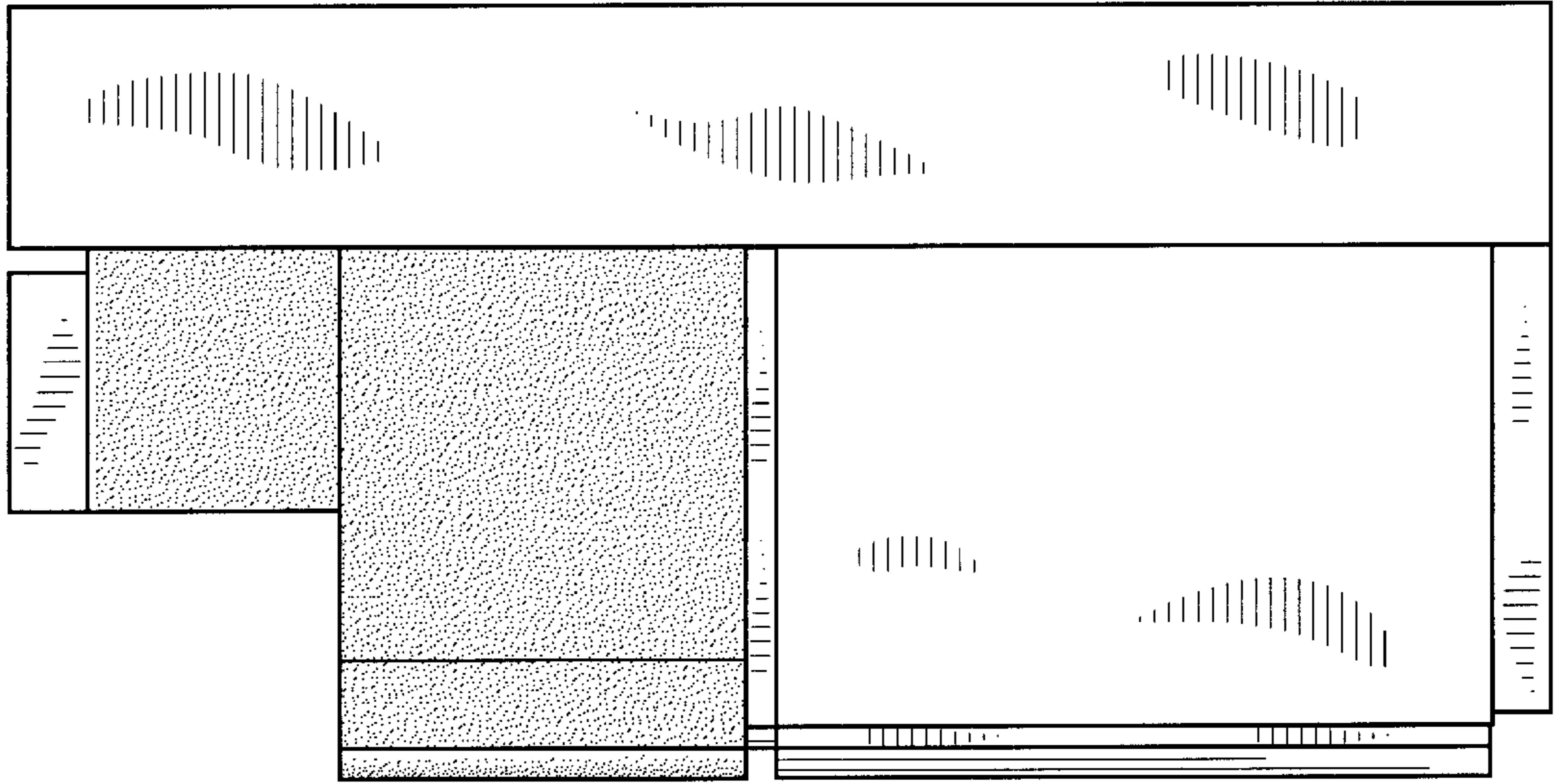


FIG. 4

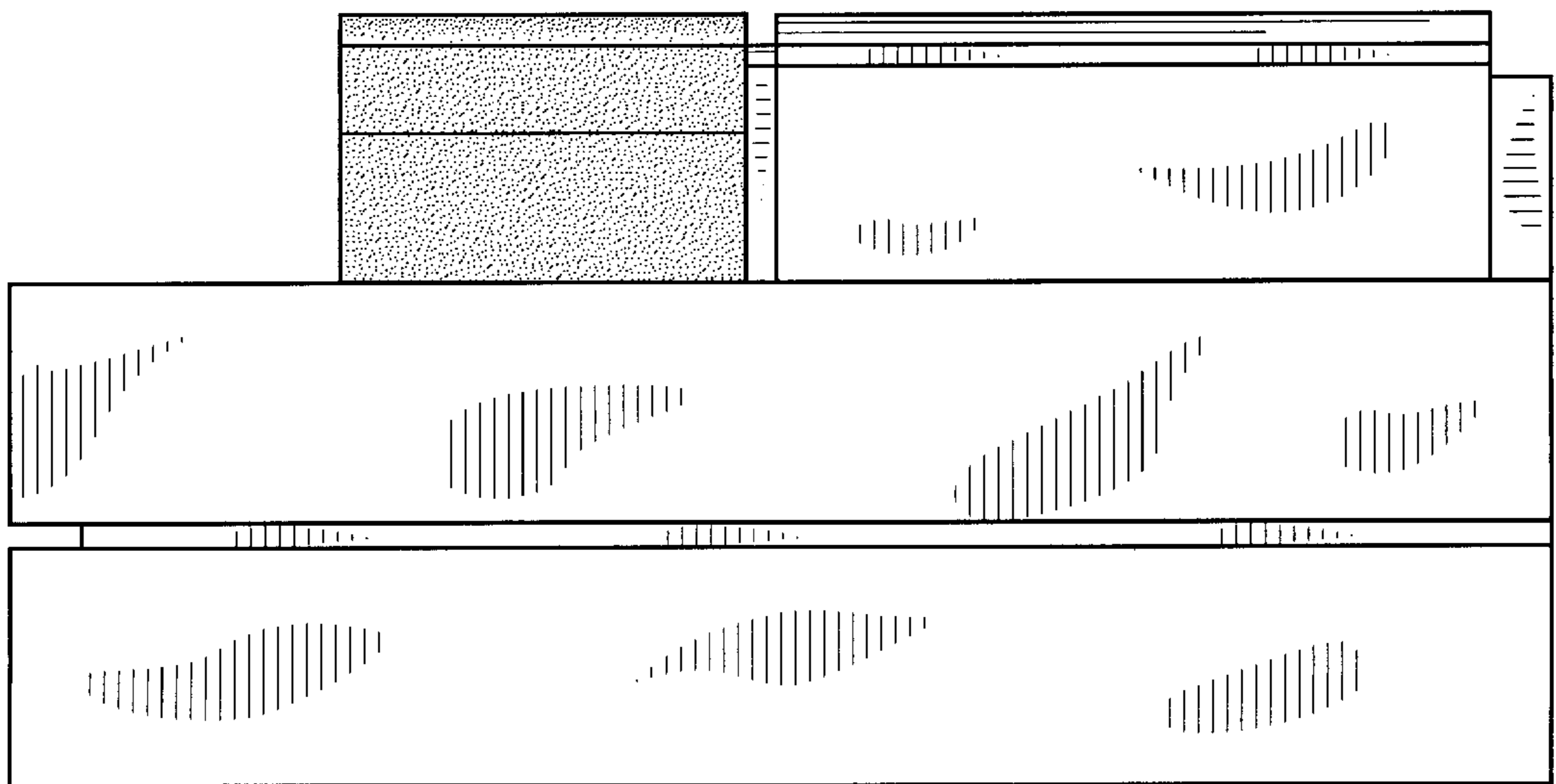


FIG. 6

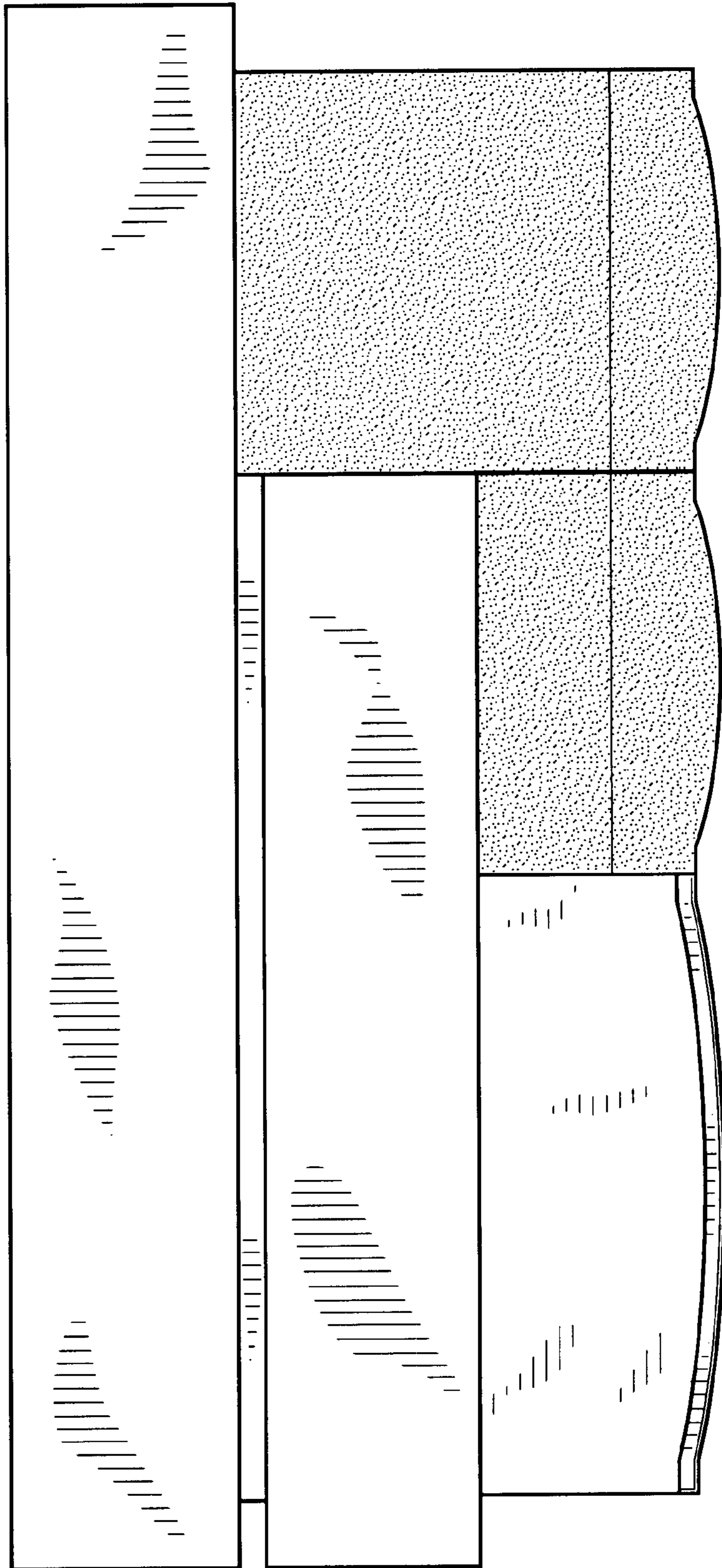


FIG. 7

