



US00D454393S

(12) **United States Design Patent**
Lynch et al.

(10) **Patent No.:** **US D454,393 S**
(45) **Date of Patent:** **** Mar. 12, 2002**

(54) **FLOW GENERATOR**

(75) Inventors: **Susan R. Lynch**, Rodd Point; **Andrew Cheung**, Burwood; **Atul S. Magikar**, Ashfield; **Phillip Jenkinson**, Epping, all of (AU)

(73) Assignee: **ResMed Limited**, North Ryde (AU)

(**) Term: **14 Years**

(21) Appl. No.: **29/126,522**

(22) Filed: **Jul. 14, 2000**

(51) **LOC (7) Cl.** **29-02**

(52) **U.S. Cl.** **D24/110**

(58) **Field of Search** D24/110; 128/204.23,
128/204.14, 204.18, 200.14, 200.22, 204.21,
200.18, 200.16

(56) **References Cited**

U.S. PATENT DOCUMENTS

5,117,819	A	*	6/1992	Servidio et al.	128/204.18
D348,927	S	*	7/1994	Attolini	D24/110
D378,128	S	*	2/1997	Rozek et al.	D24/110
5,673,687	A	*	10/1997	Dobson et al.	128/204.14
5,682,878	A	*	11/1997	Ogden	128/204.23
5,715,812	A	*	2/1998	Deighan et al.	128/204.23
D421,298	S	*	2/2000	Kenyon et al.	D24/110
D427,675	S	*	7/2000	Hansel	D24/110

* cited by examiner

Primary Examiner—Ian Simmons

(74) *Attorney, Agent, or Firm*—Pillsbury Winthrop LLP

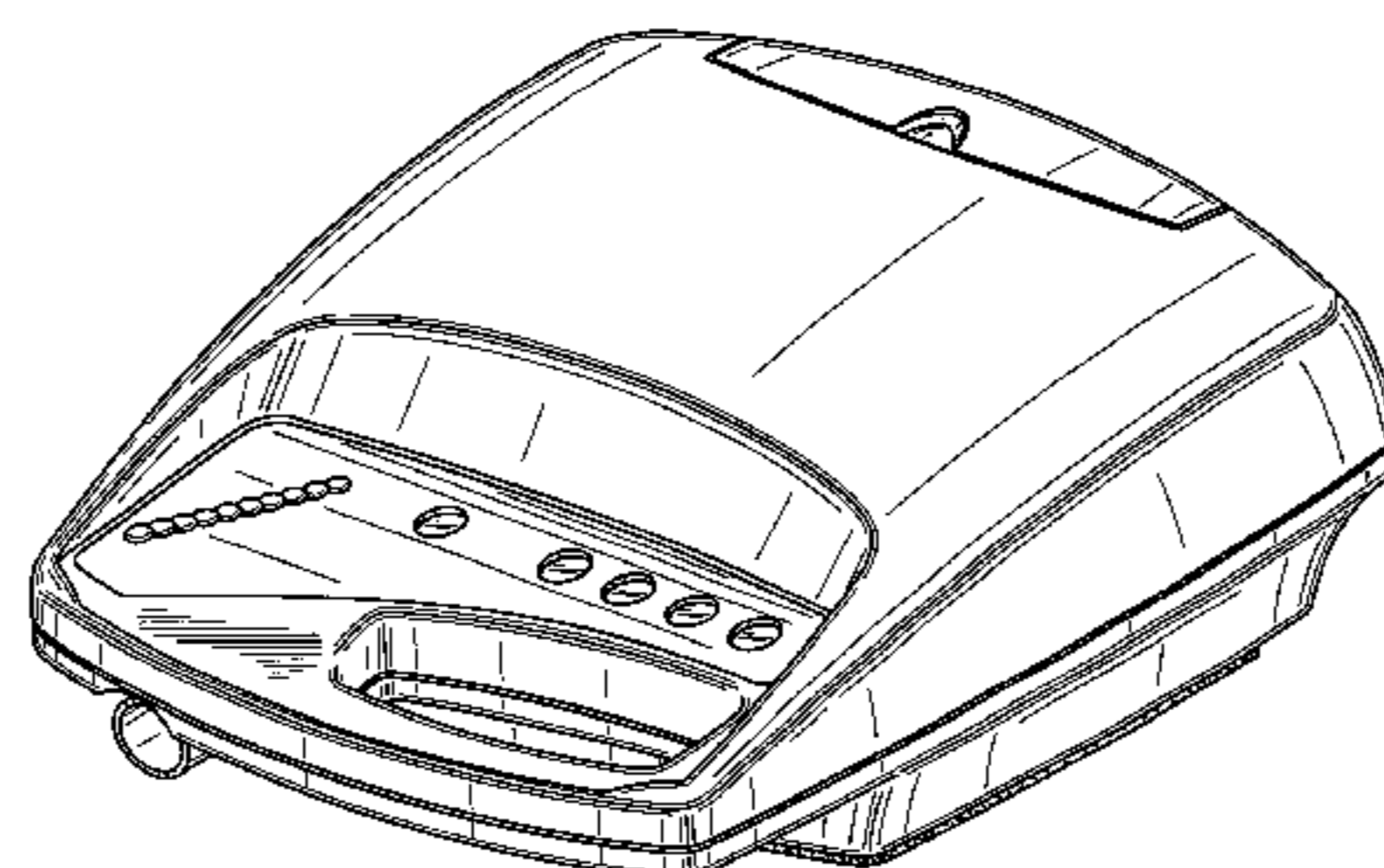
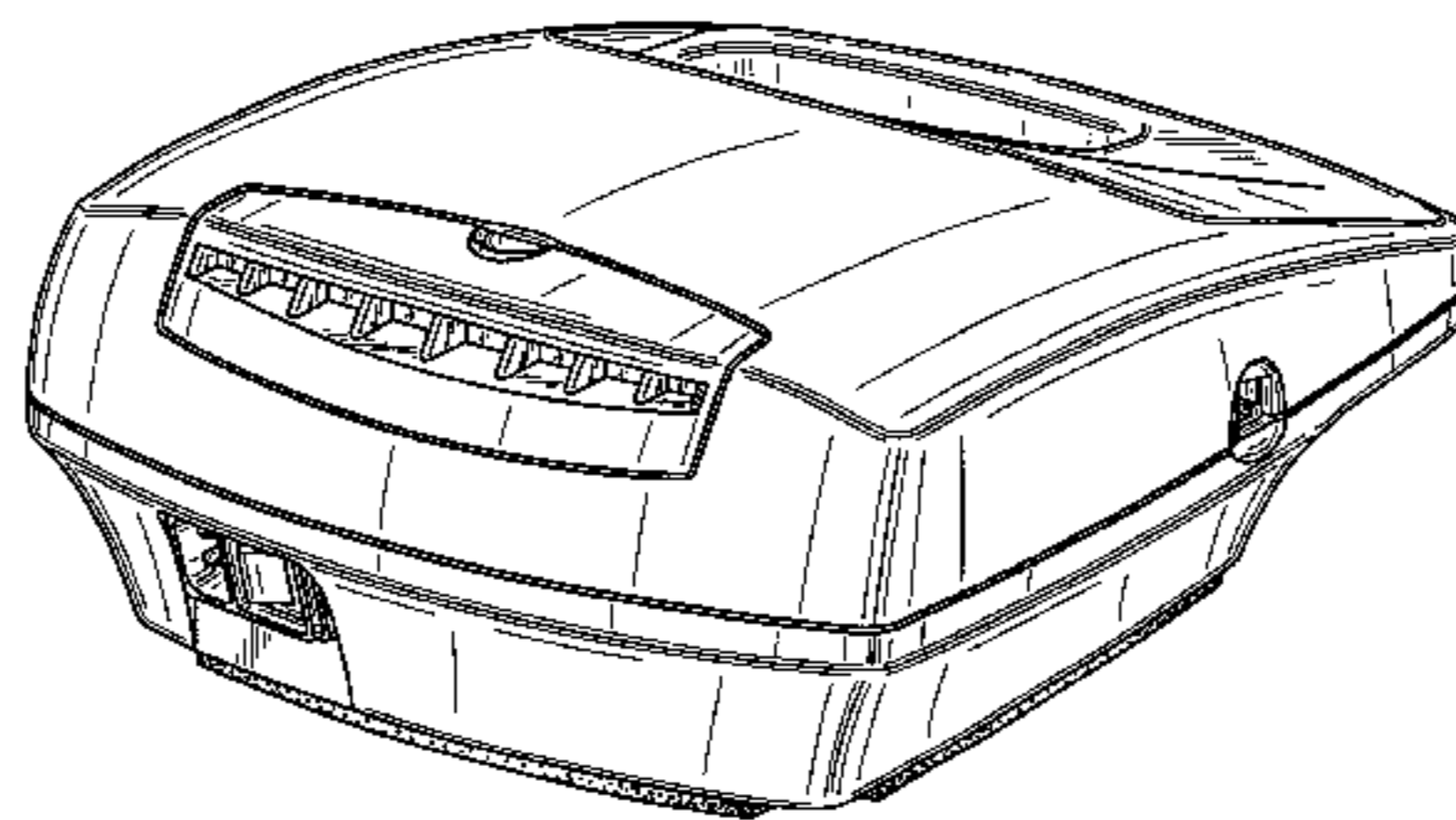
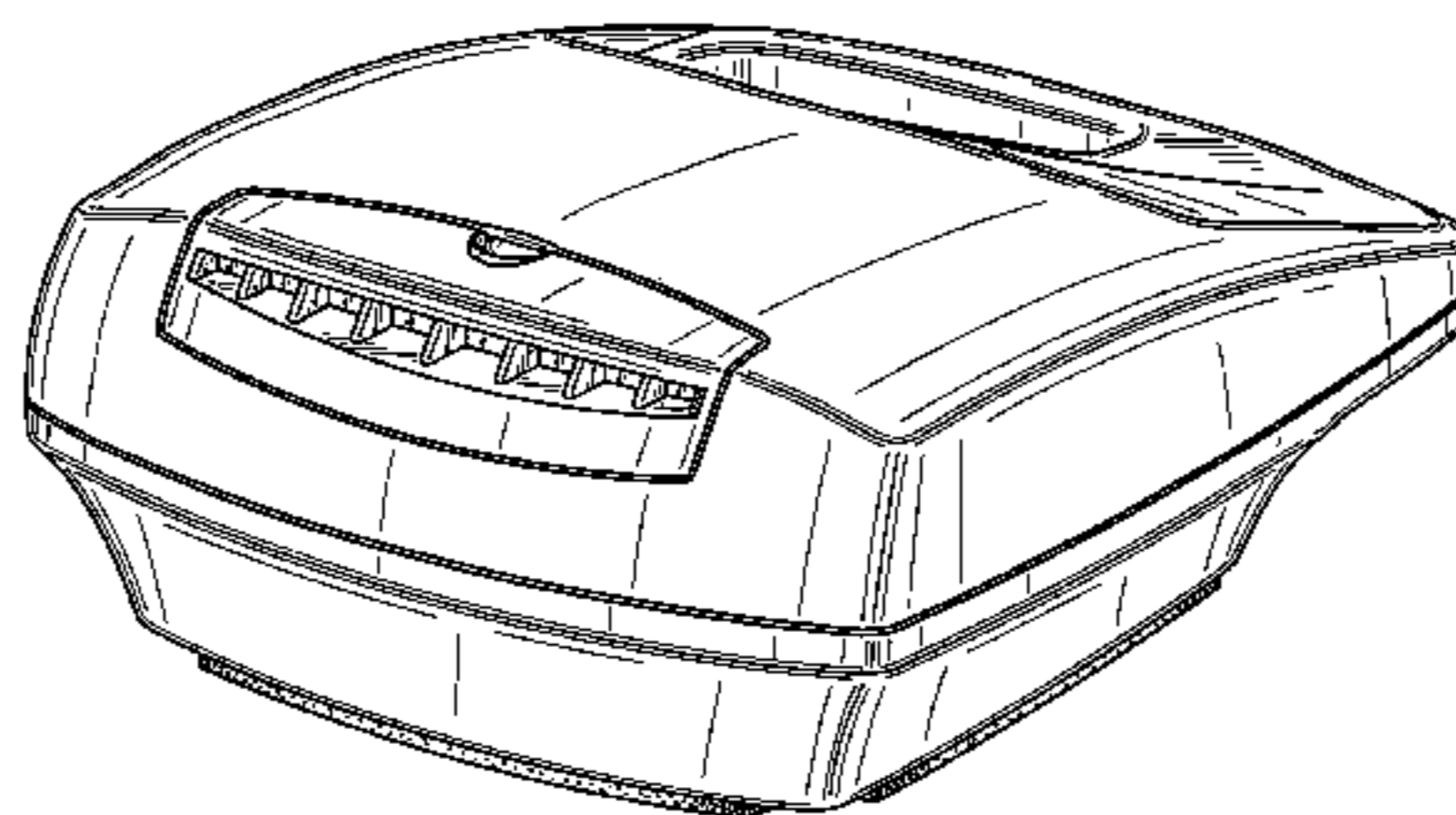
(57) **CLAIM**

The ornamental design for a “flow generator”, as shown and described.

DESCRIPTION

FIG. 1 is a rear perspective view showing a first embodiment of our new design;
 FIG. 2 is a rear perspective view showing a second embodiment of our new design;
 FIG. 3 is a front perspective view showing the first embodiment of our new design;
 FIG. 4 is a rear perspective view thereof;
 FIG. 5 is a plan view thereof;
 FIG. 6 is a front view thereof;
 FIG. 7 is a right side view thereof;
 FIG. 8 is a left side view thereof;
 FIG. 9 is a rear view thereof;
 FIG. 10 is an inverted plan view thereof;
 FIG. 11 is a front perspective view of the second embodiment of our new design
 FIG. 12 is a rear perspective view thereof;
 FIG. 13 is a plan view thereof;
 FIG. 14 is a front view thereof;
 FIG. 15 is a right side view thereof;
 FIG. 16 is a left side view thereof;
 FIG. 17 is a rear view thereof; and,
 FIG. 18 is an inverted plan view thereof.

1 Claim, 9 Drawing Sheets



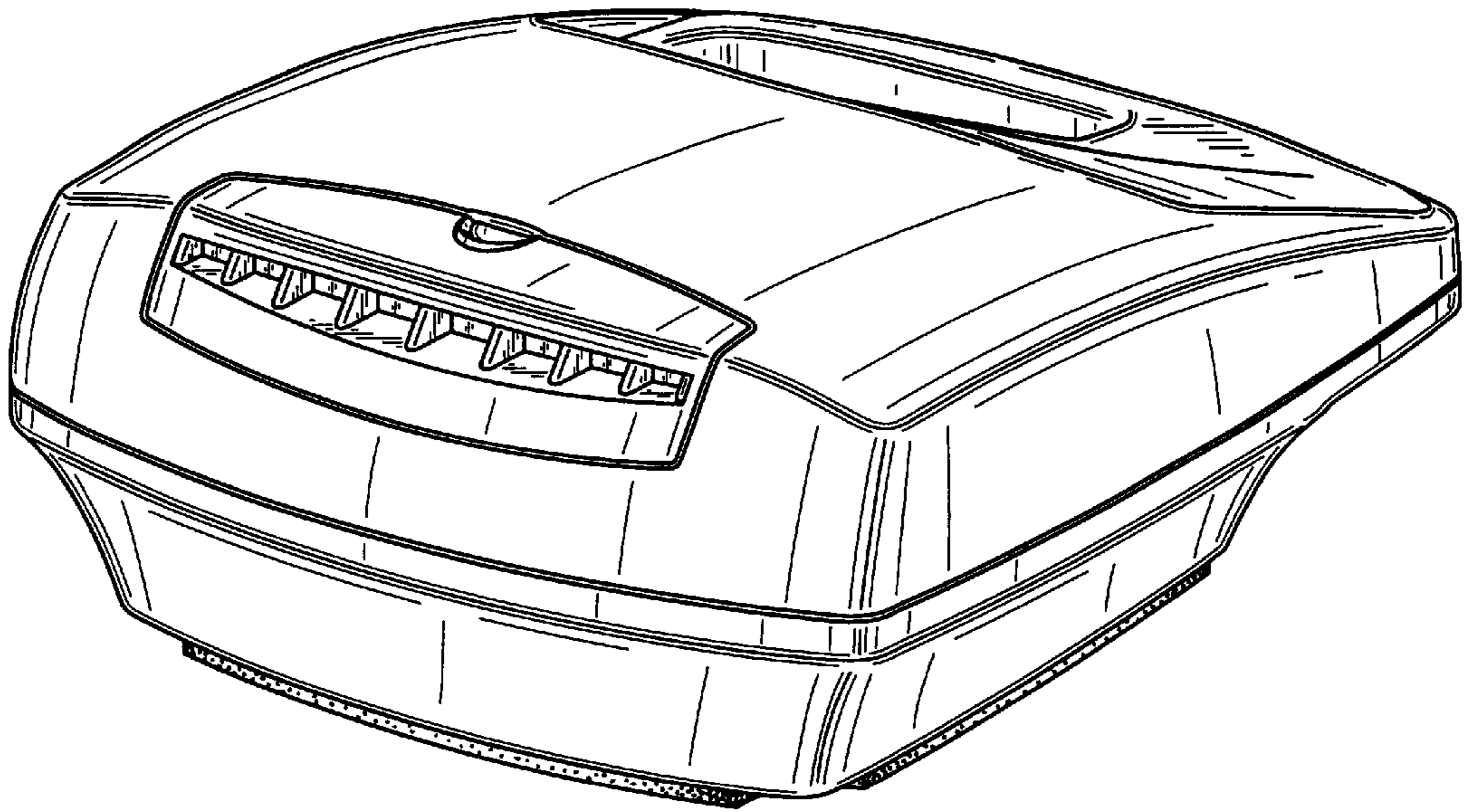


FIG. 1

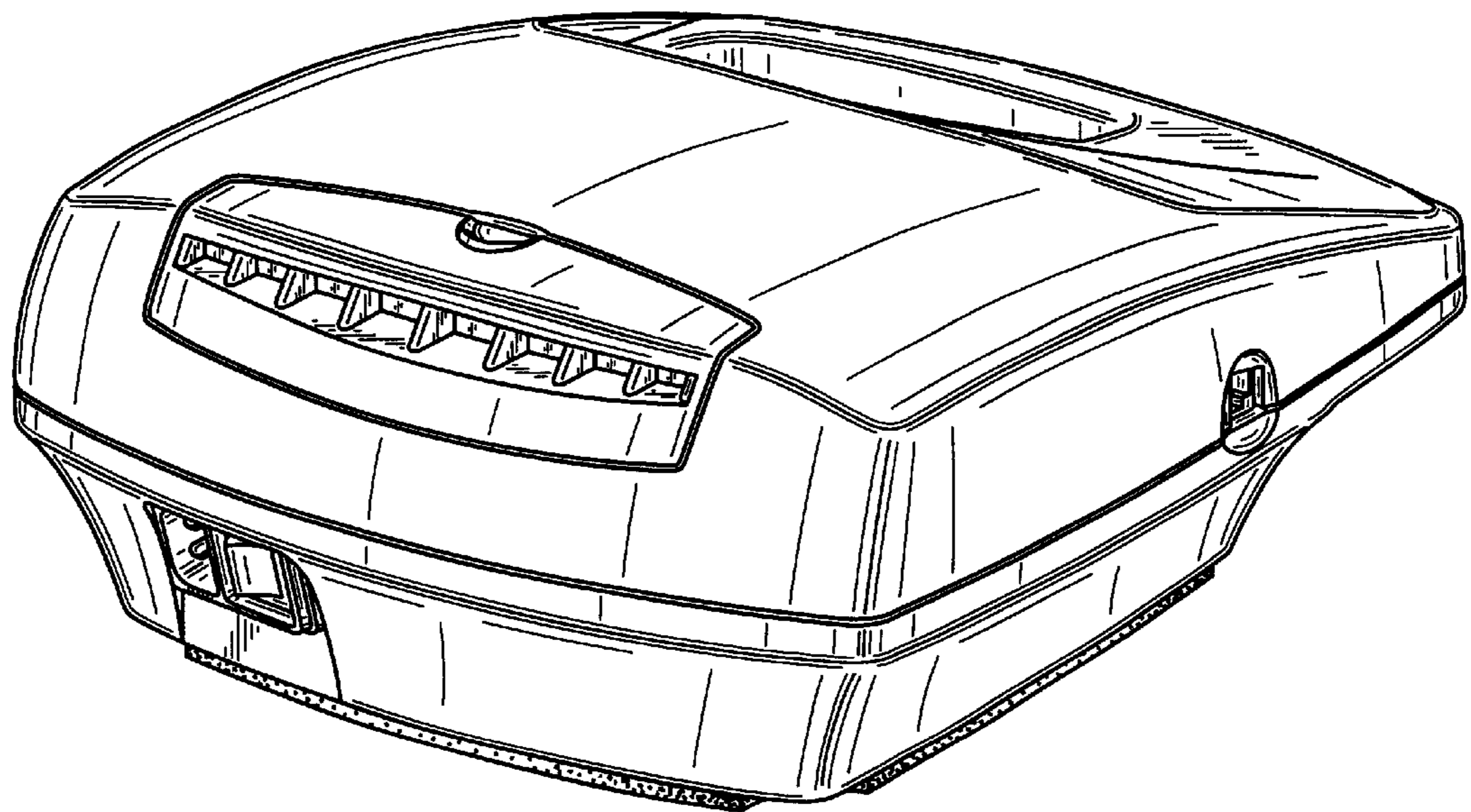


FIG. 2

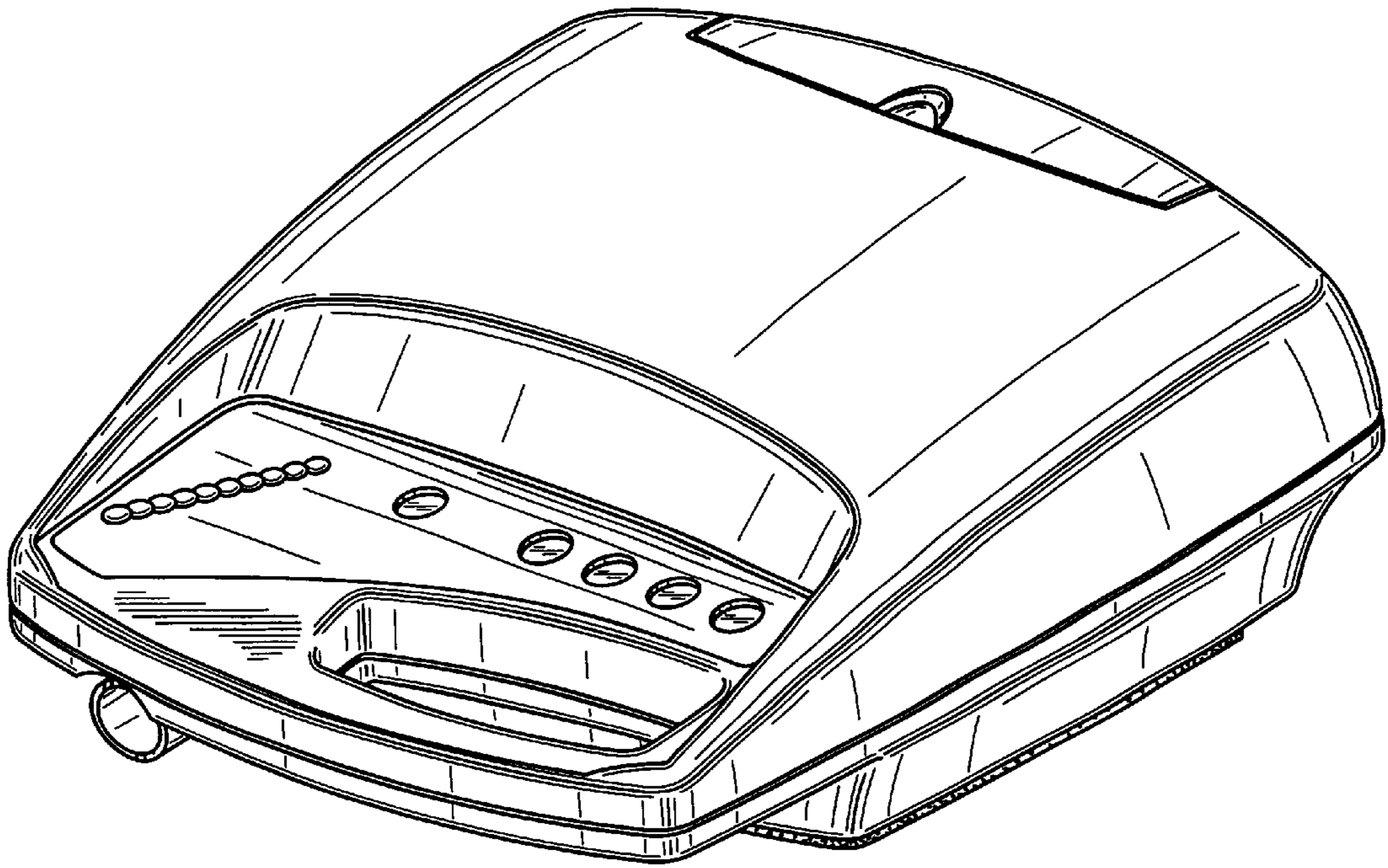


FIG. 3

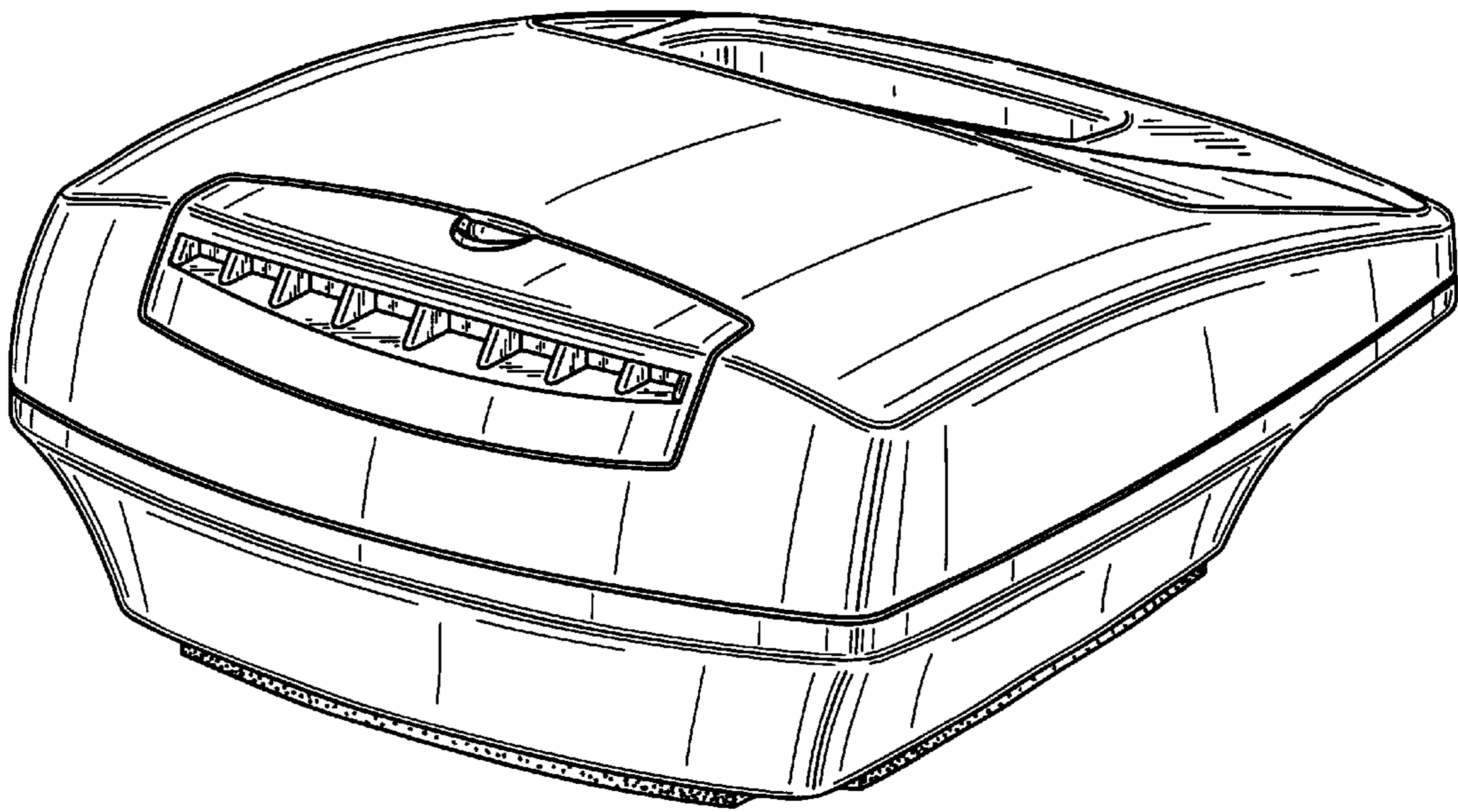


FIG. 4

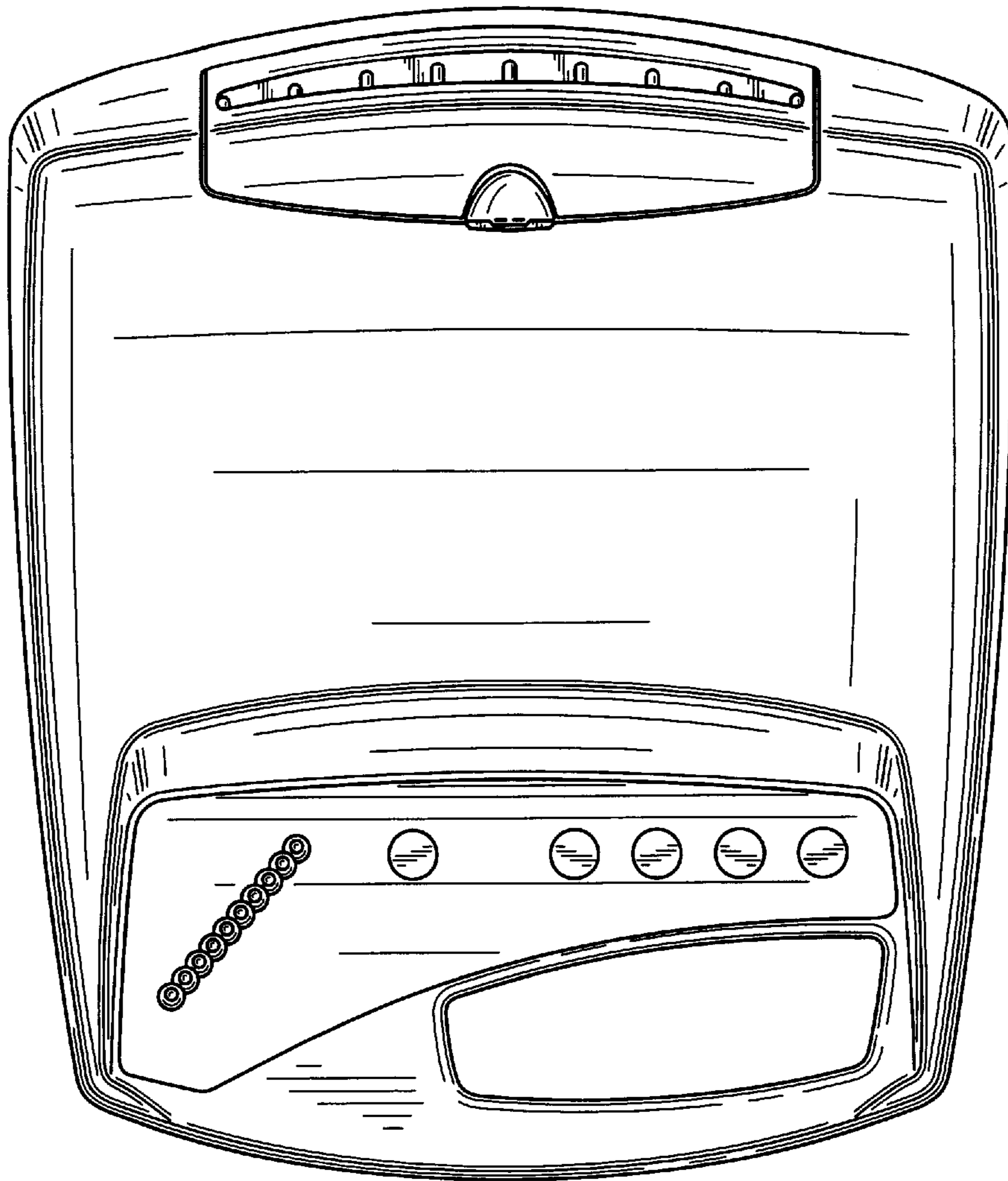


FIG. 5

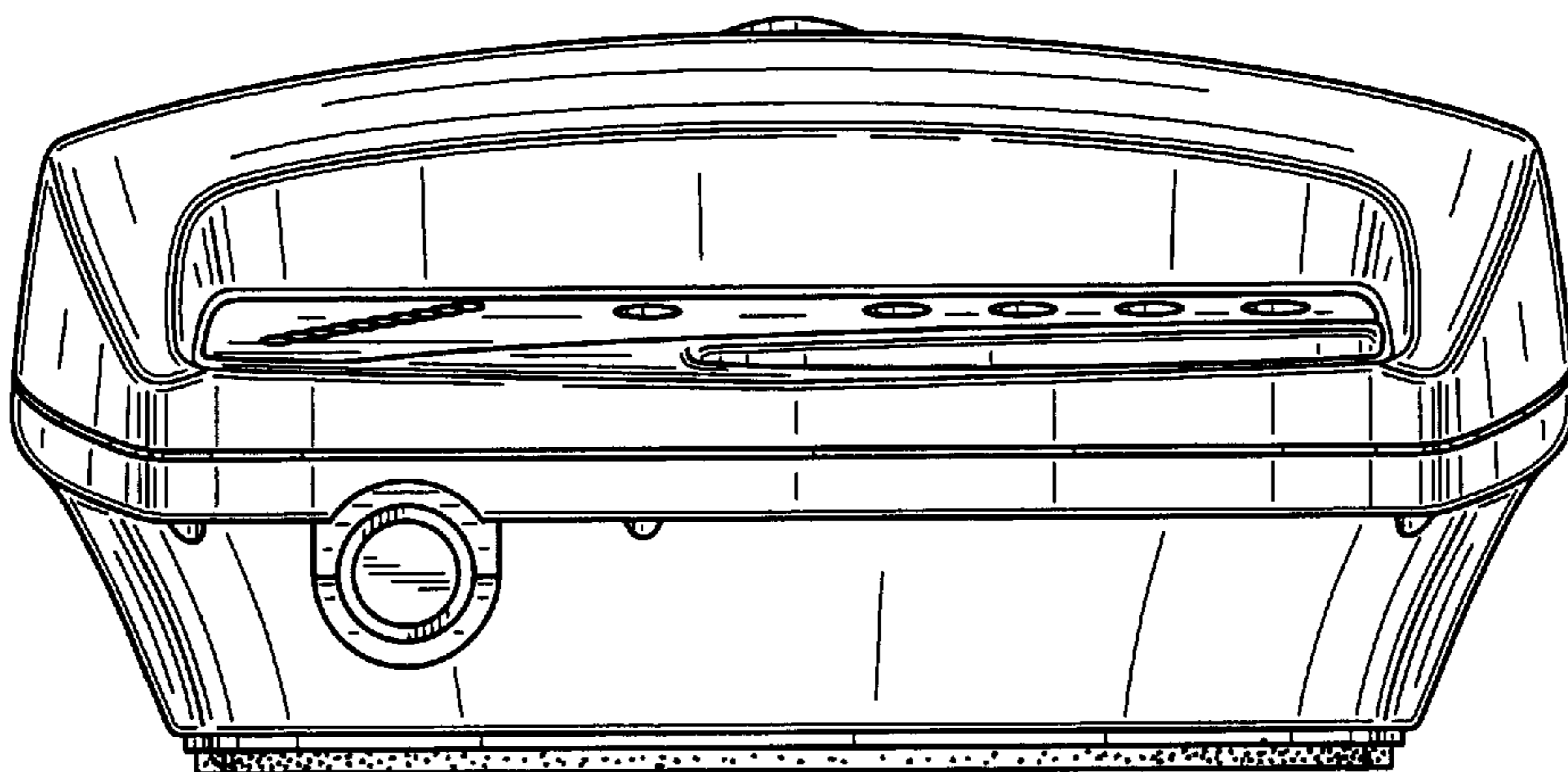


FIG. 6

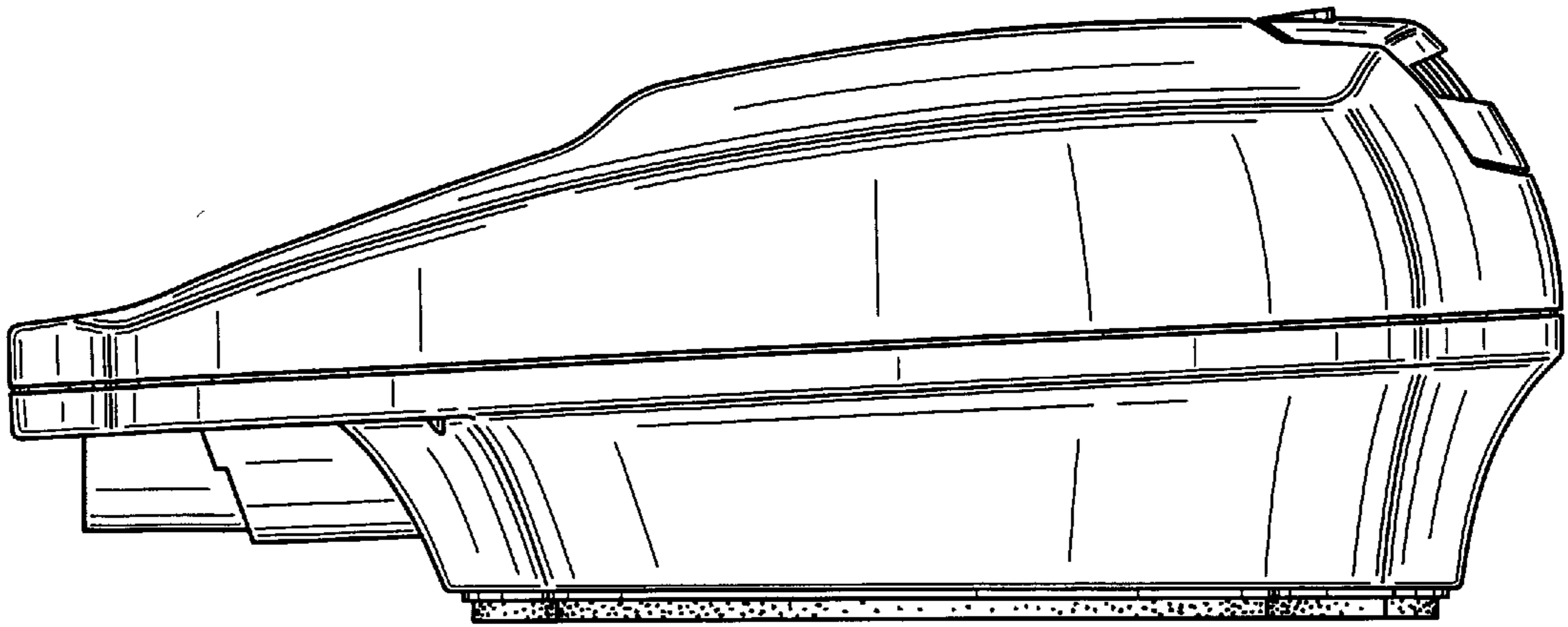


FIG. 7

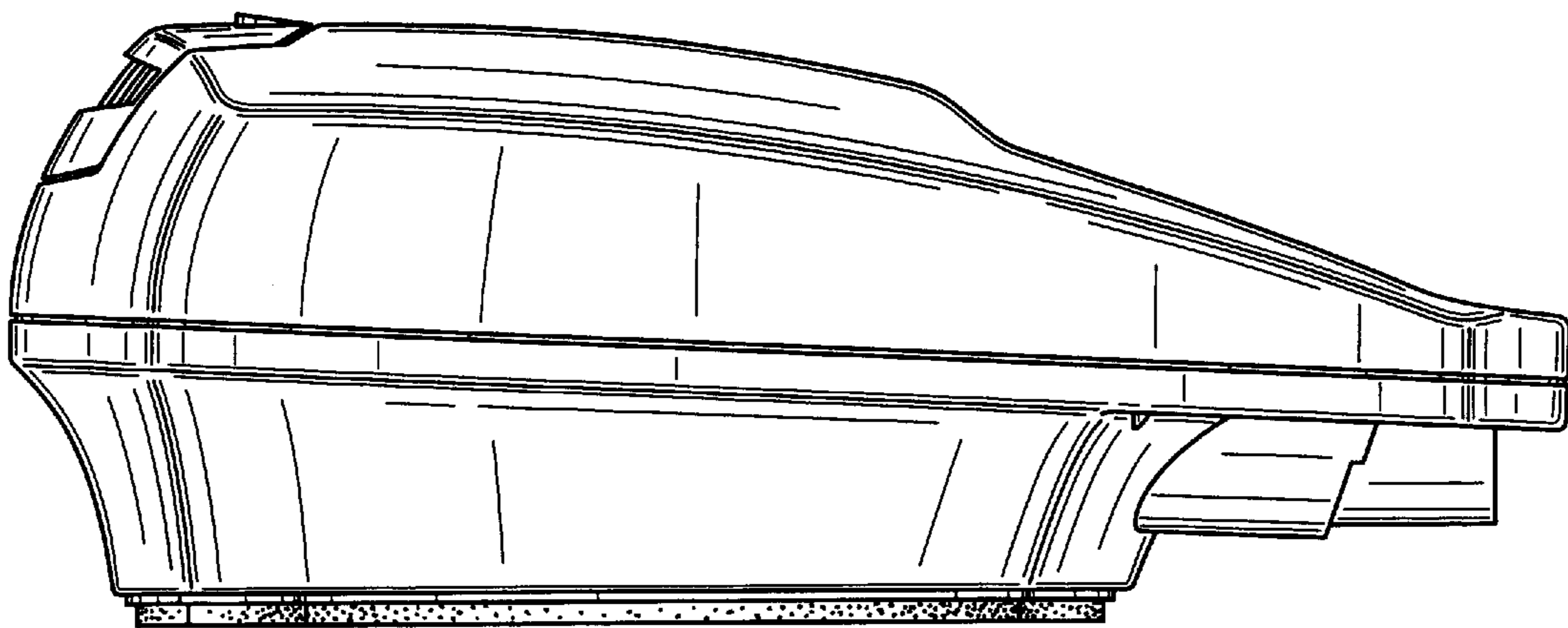


FIG. 8

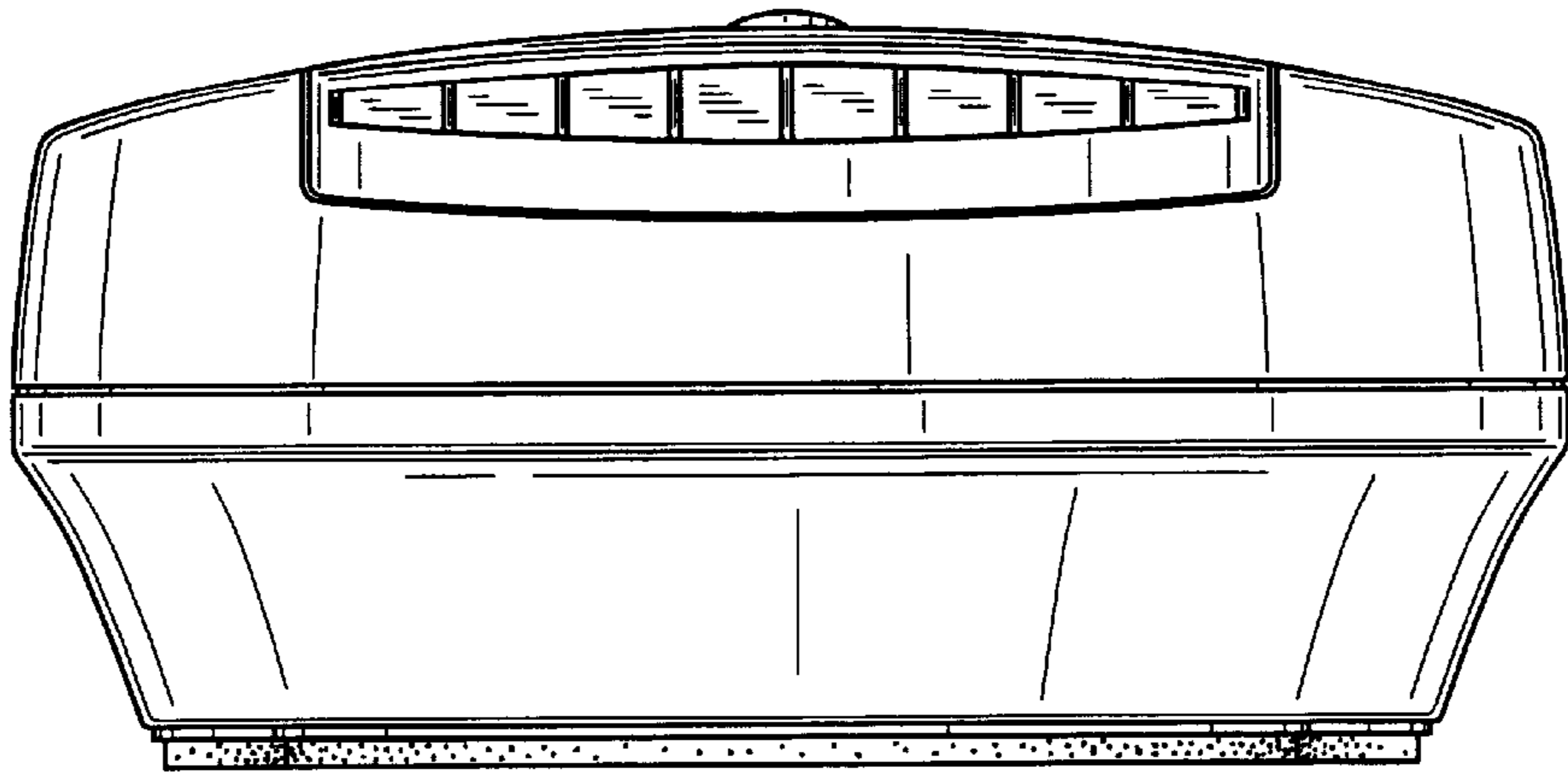


FIG. 9

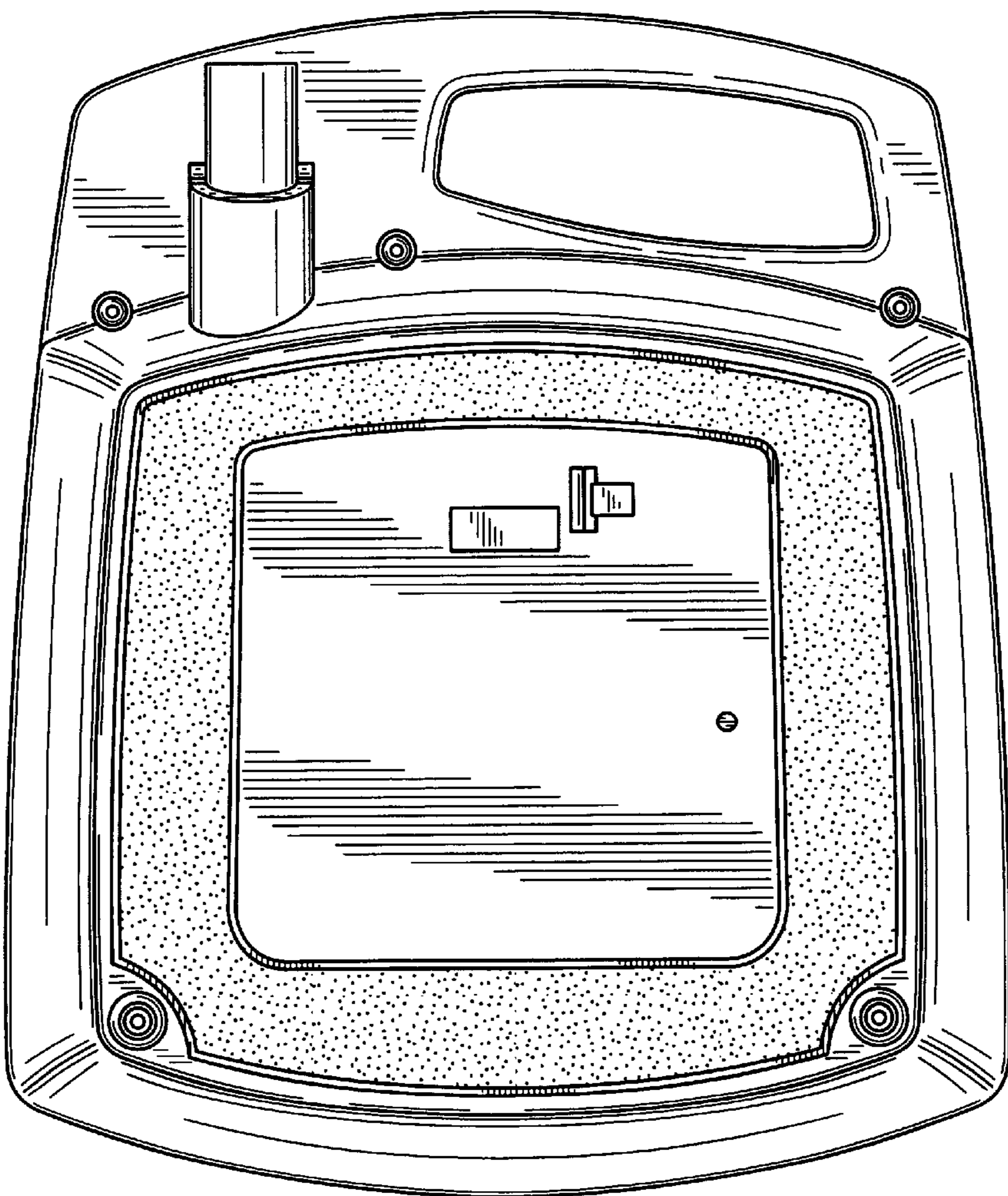


FIG. 10

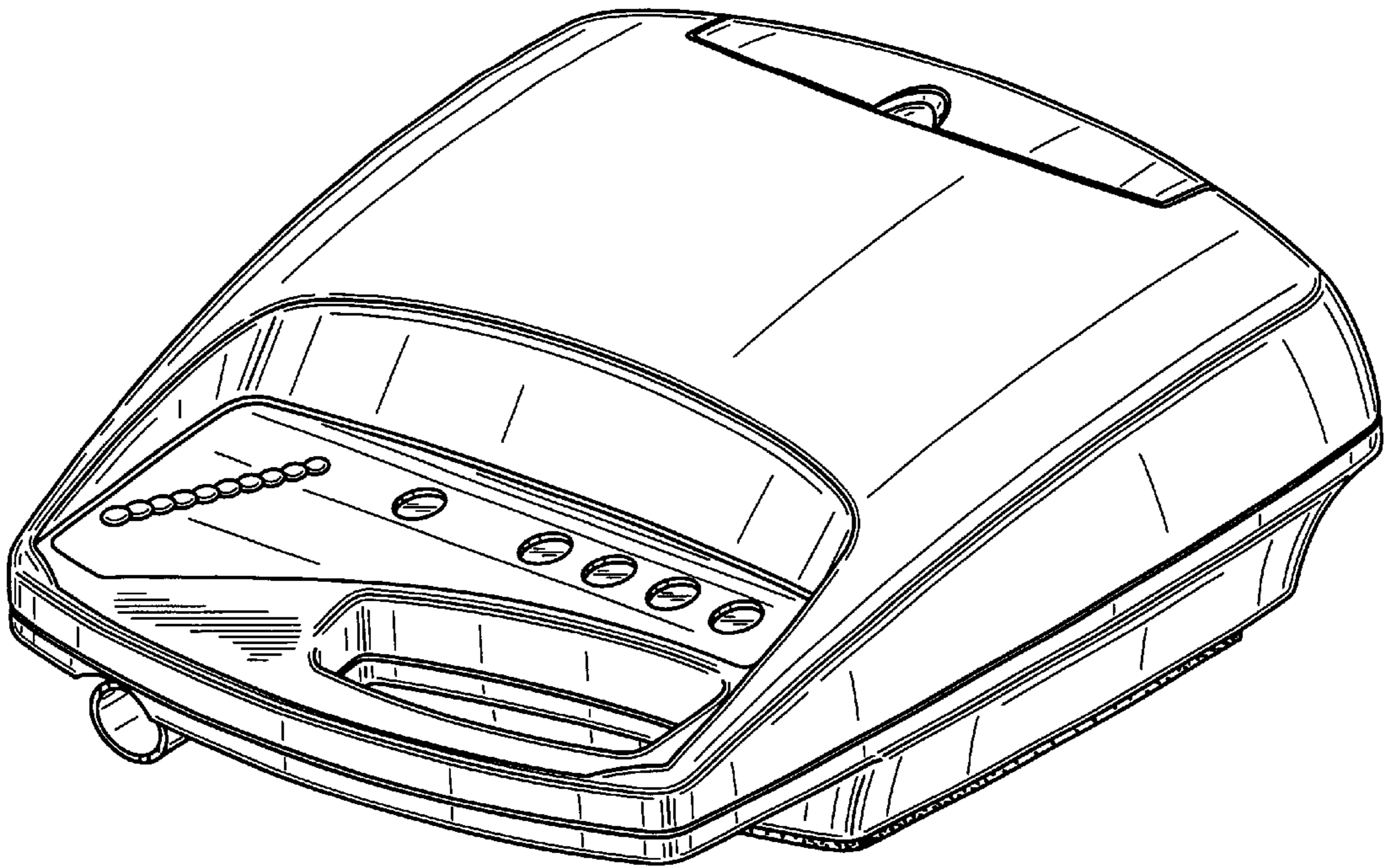


FIG. 11

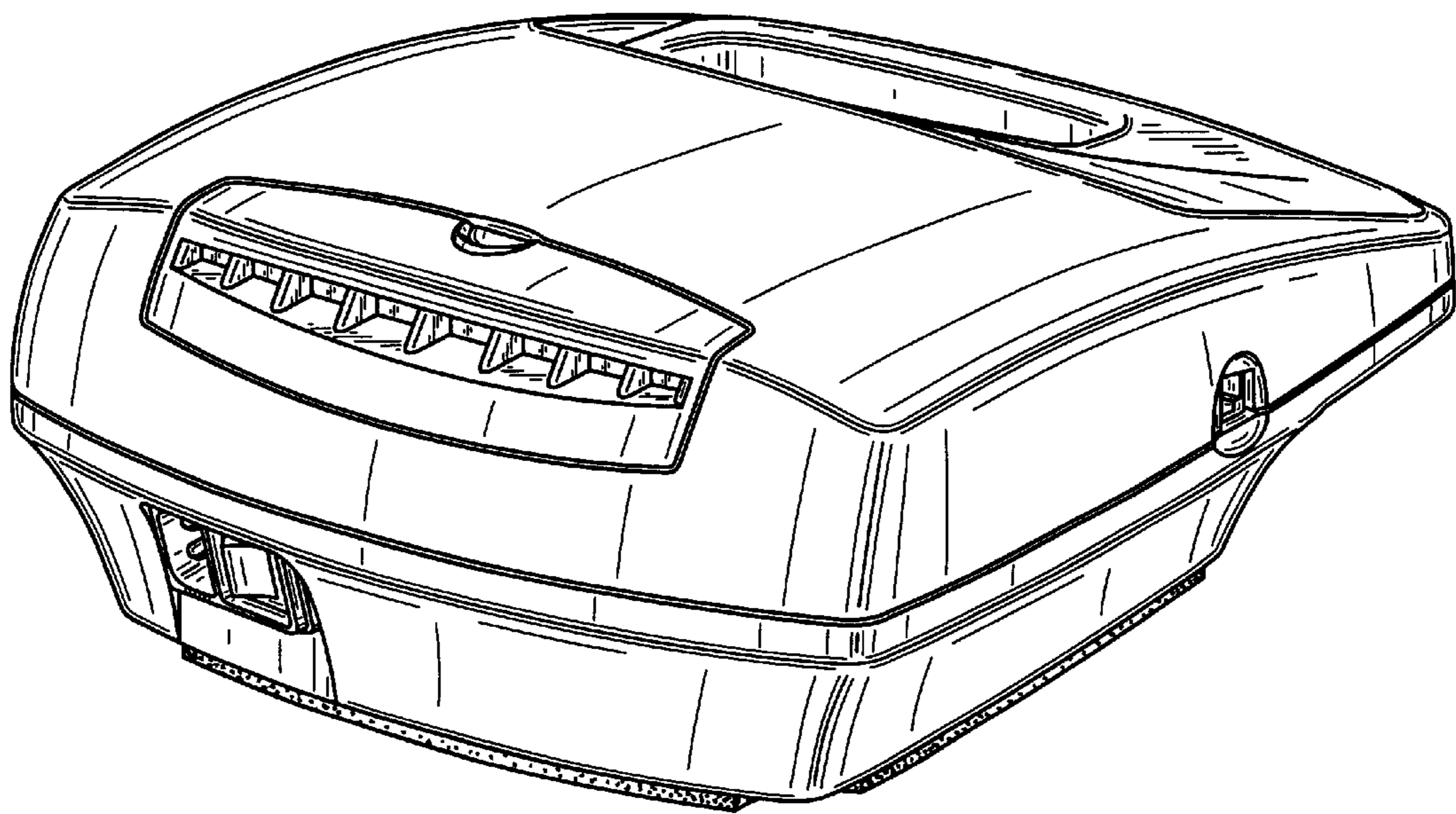


FIG. 12

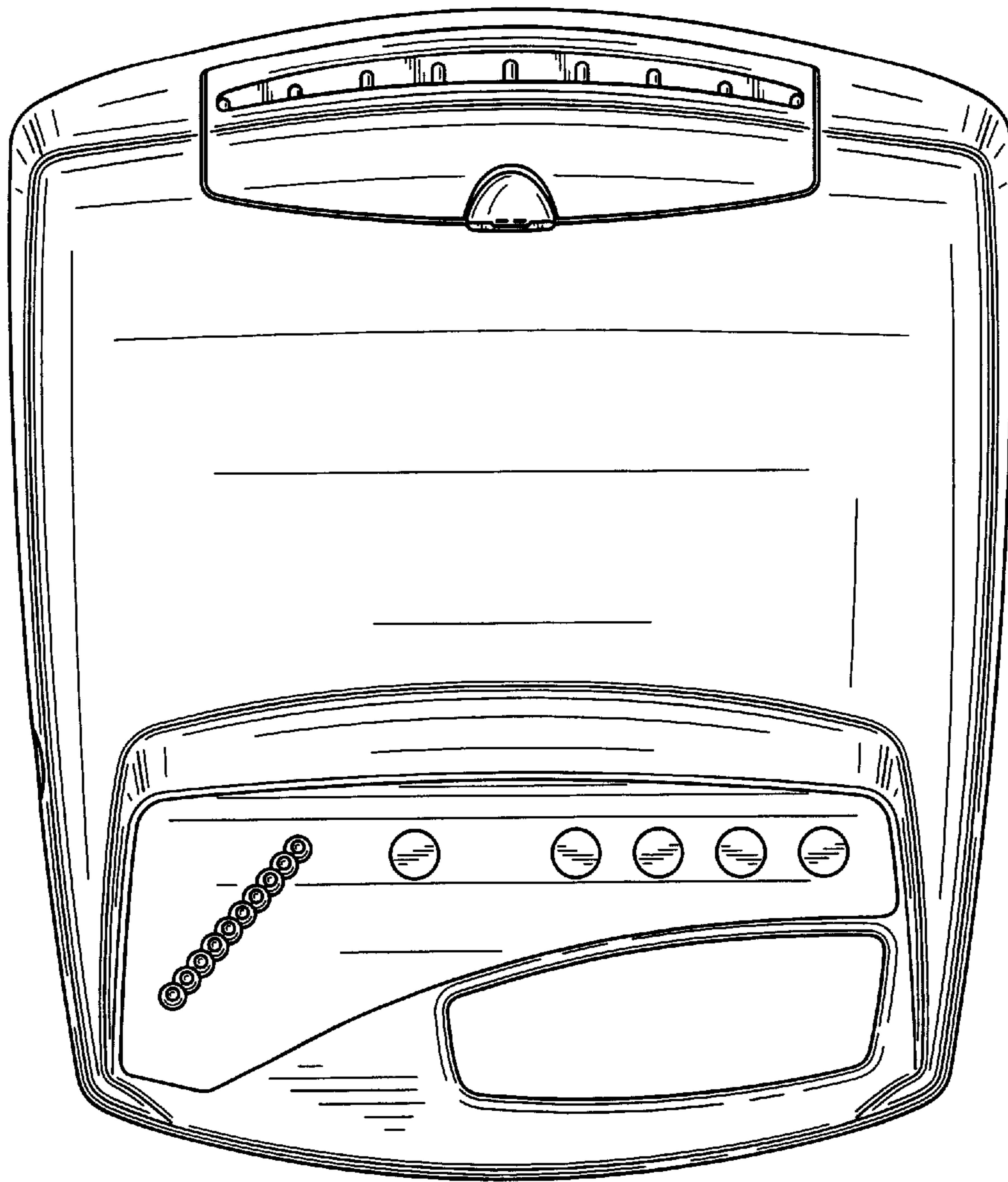


FIG. 13

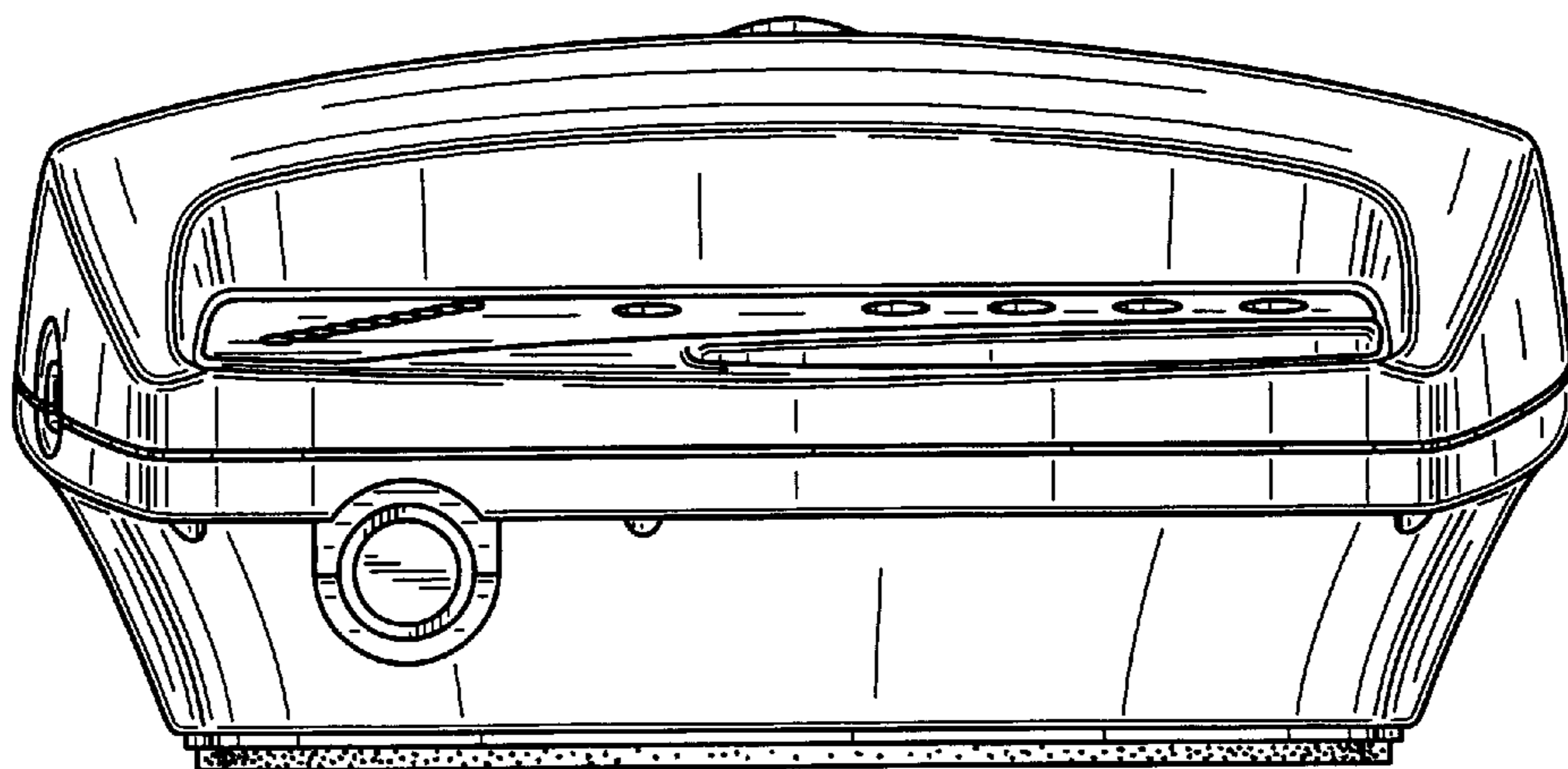


FIG. 14

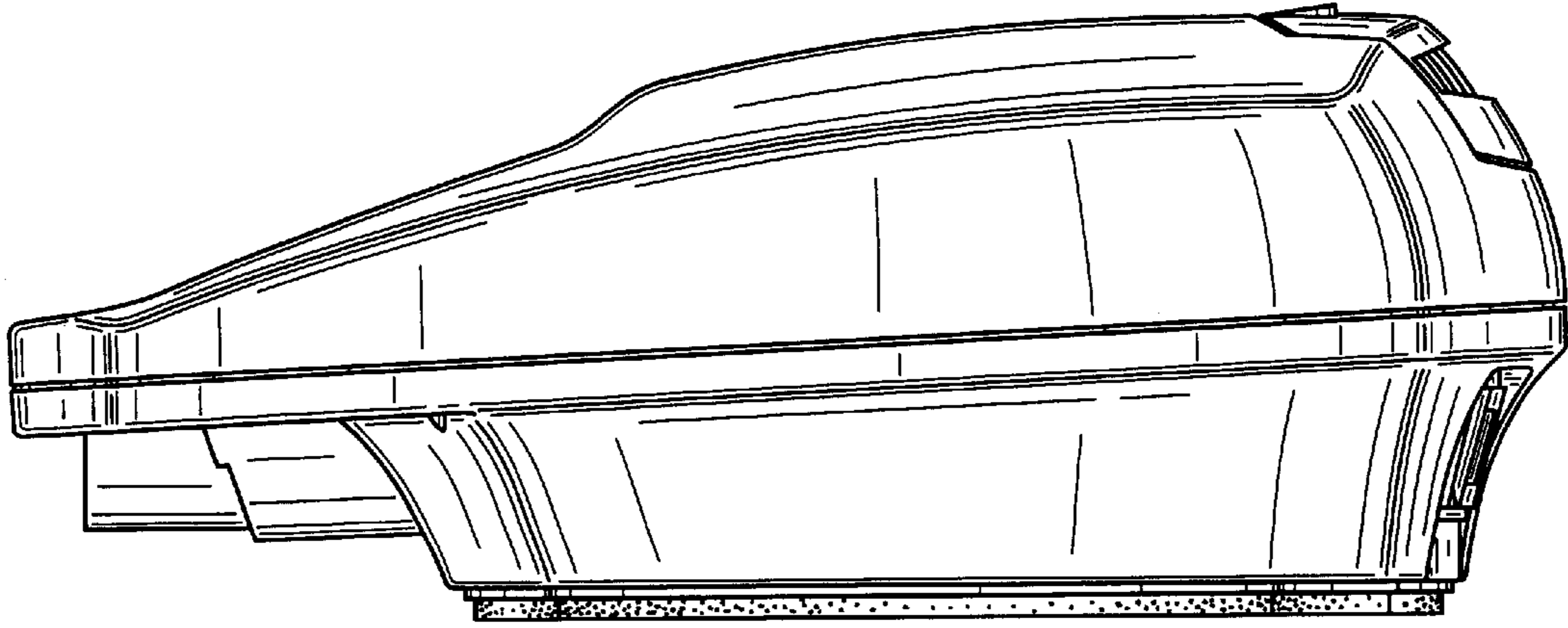


FIG. 15

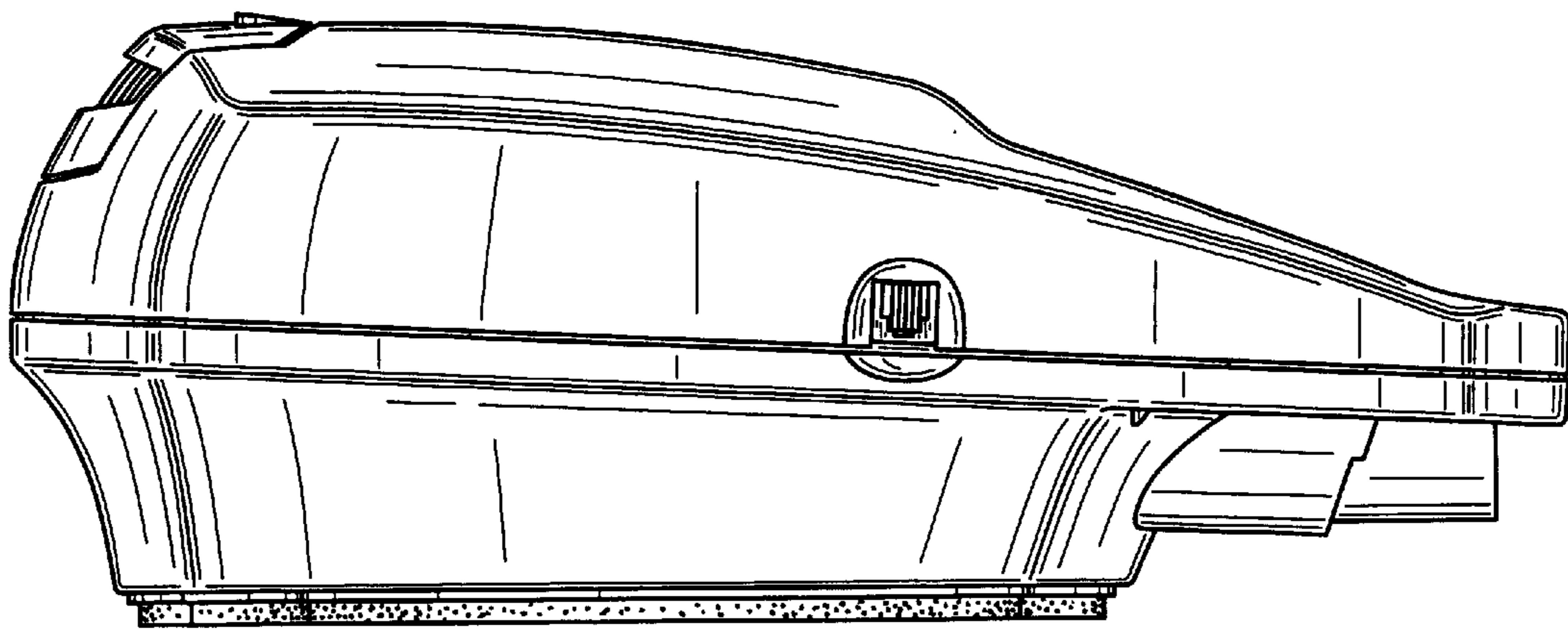


FIG. 16

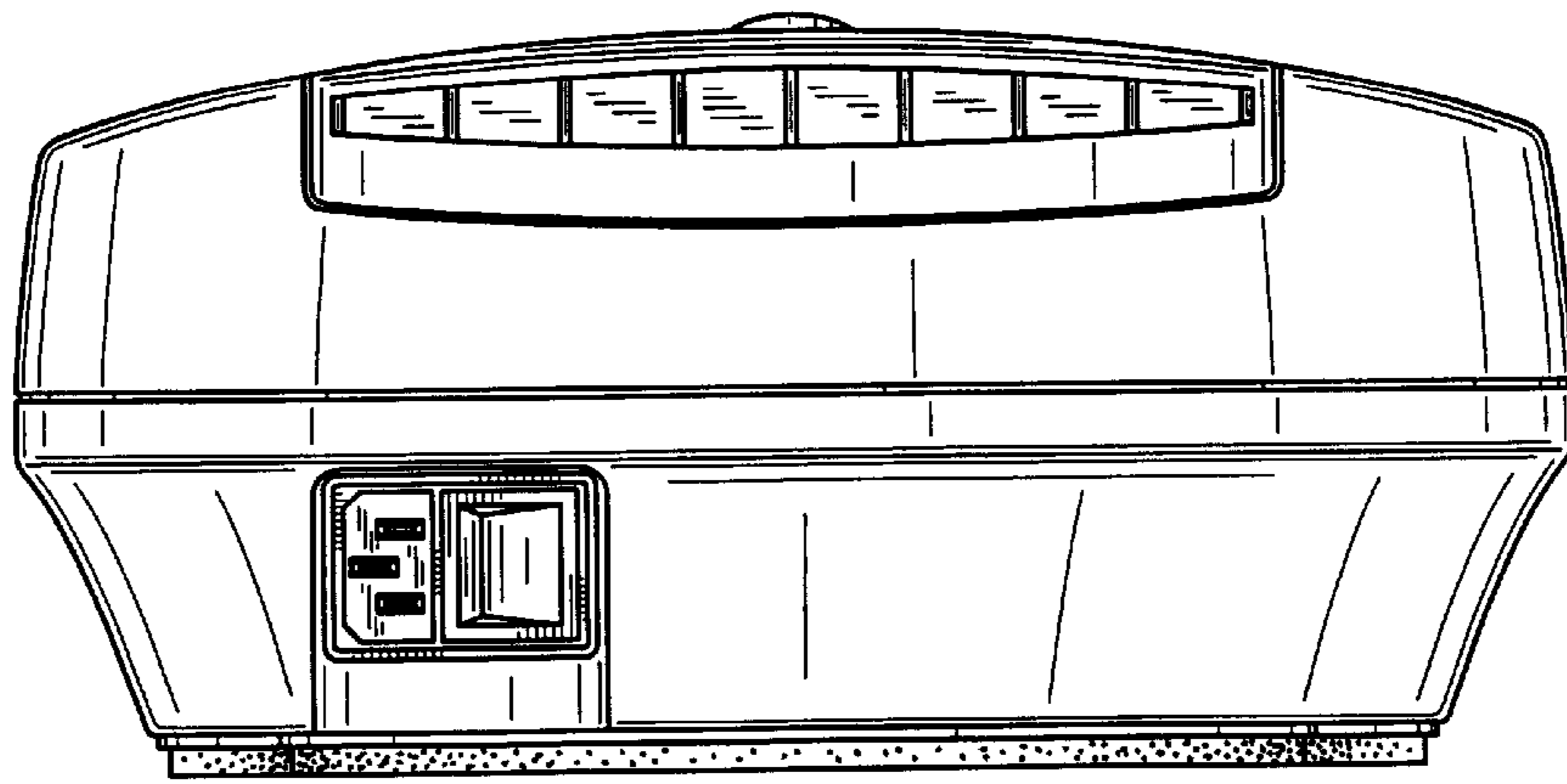


FIG. 17

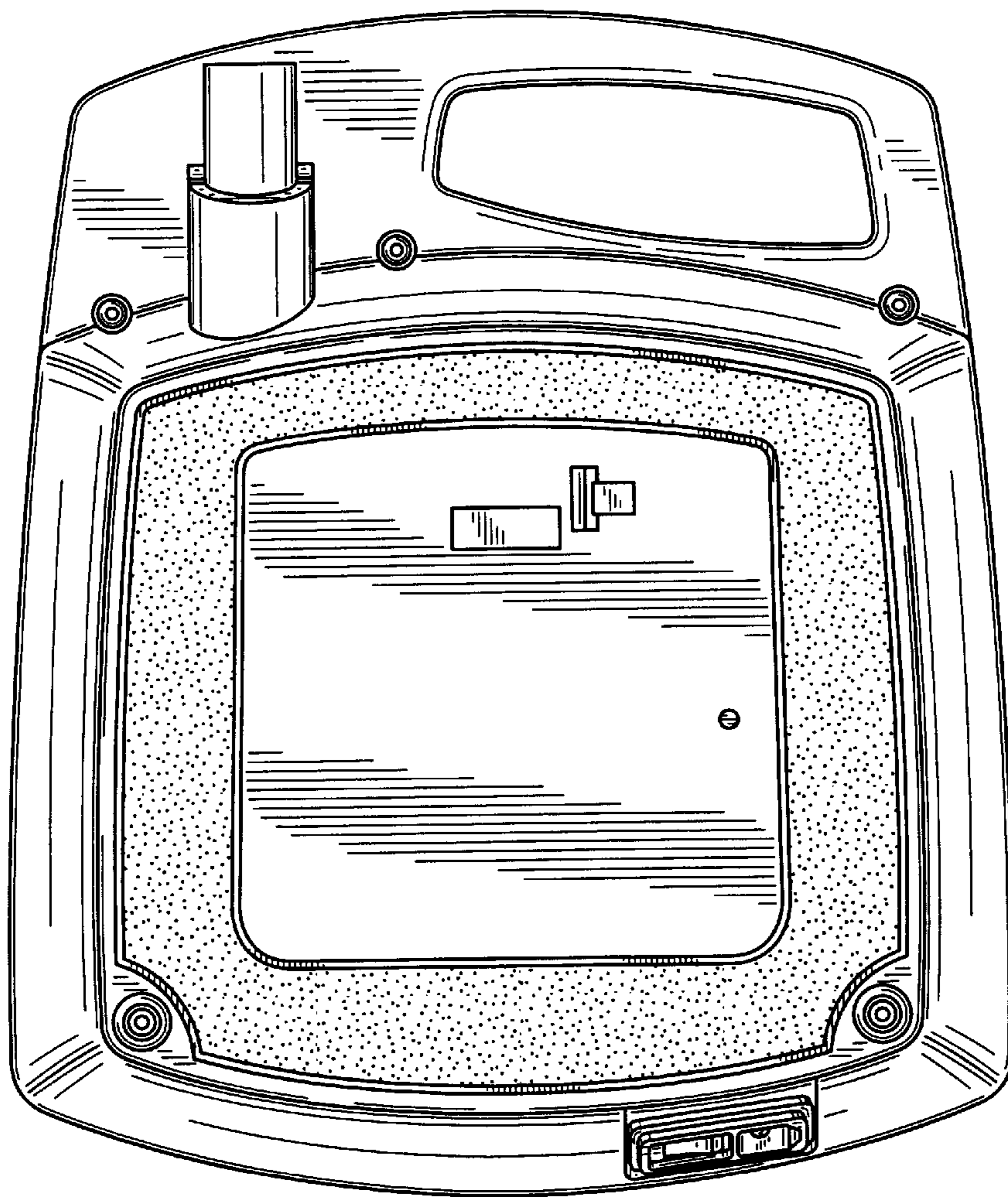


FIG. 18