



US00D454392S

(12) **United States Design Patent**  
**Shapiro**

(10) **Patent No.:** **US D454,392 S**

(45) **Date of Patent:** **\*\* Mar. 12, 2002**

(54) **FRONT GRILL FOR A FAN**

(75) Inventor: **Barry Shapiro**, Doylestown, PA (US)

(73) Assignee: **Lasko Holdings, Inc.**, West Chester, PA (US)

(\*\*) Term: **14 Years**

(21) Appl. No.: **29/141,555**

(22) Filed: **May 9, 2001**

(51) **LOC (7) Cl.** ..... **23-04**

(52) **U.S. Cl.** ..... **D23/411**

(58) **Field of Search** ..... D23/381, 382,  
D23/411, 412, 370; 416/247 R, 244 R

(56) **References Cited**

**U.S. PATENT DOCUMENTS**

- D270,941 S \* 10/1983 Lin ..... D23/382
- D391,346 S \* 2/1998 Litvin ..... D23/382
- D409,298 S \* 5/1999 Litvin ..... D23/382

D437,925 S \* 2/2001 Gonzales ..... D23/382

\* cited by examiner

*Primary Examiner*—Lisa Lichtenstein

(74) *Attorney, Agent, or Firm*—Zachary T. Wobensmith, III

(57) **CLAIM**

The ornamental design for a front grill for a fan, as shown and described.

**DESCRIPTION**

FIG. 1 is a perspective view of a front grill for a fan showing my new design;

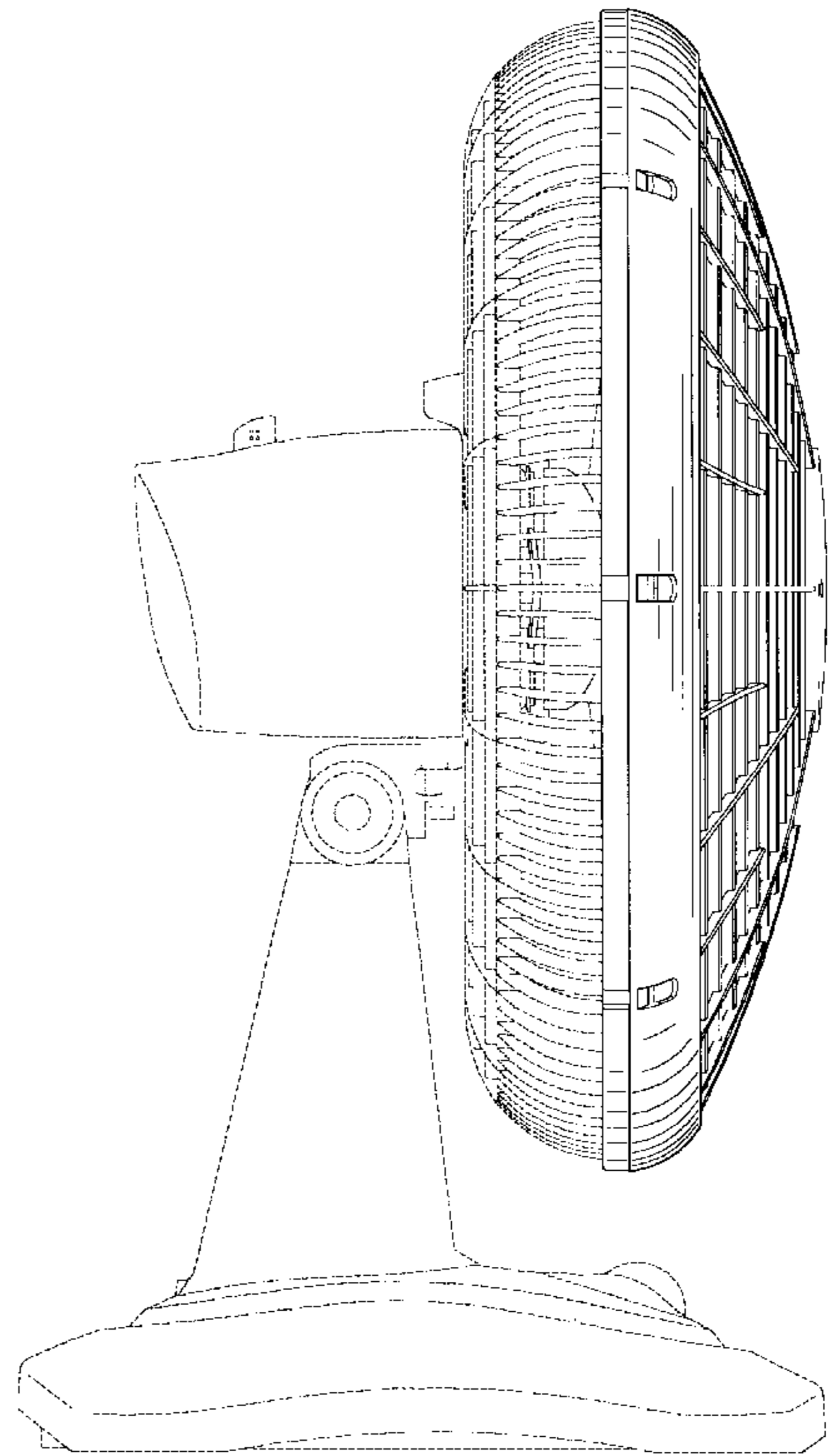
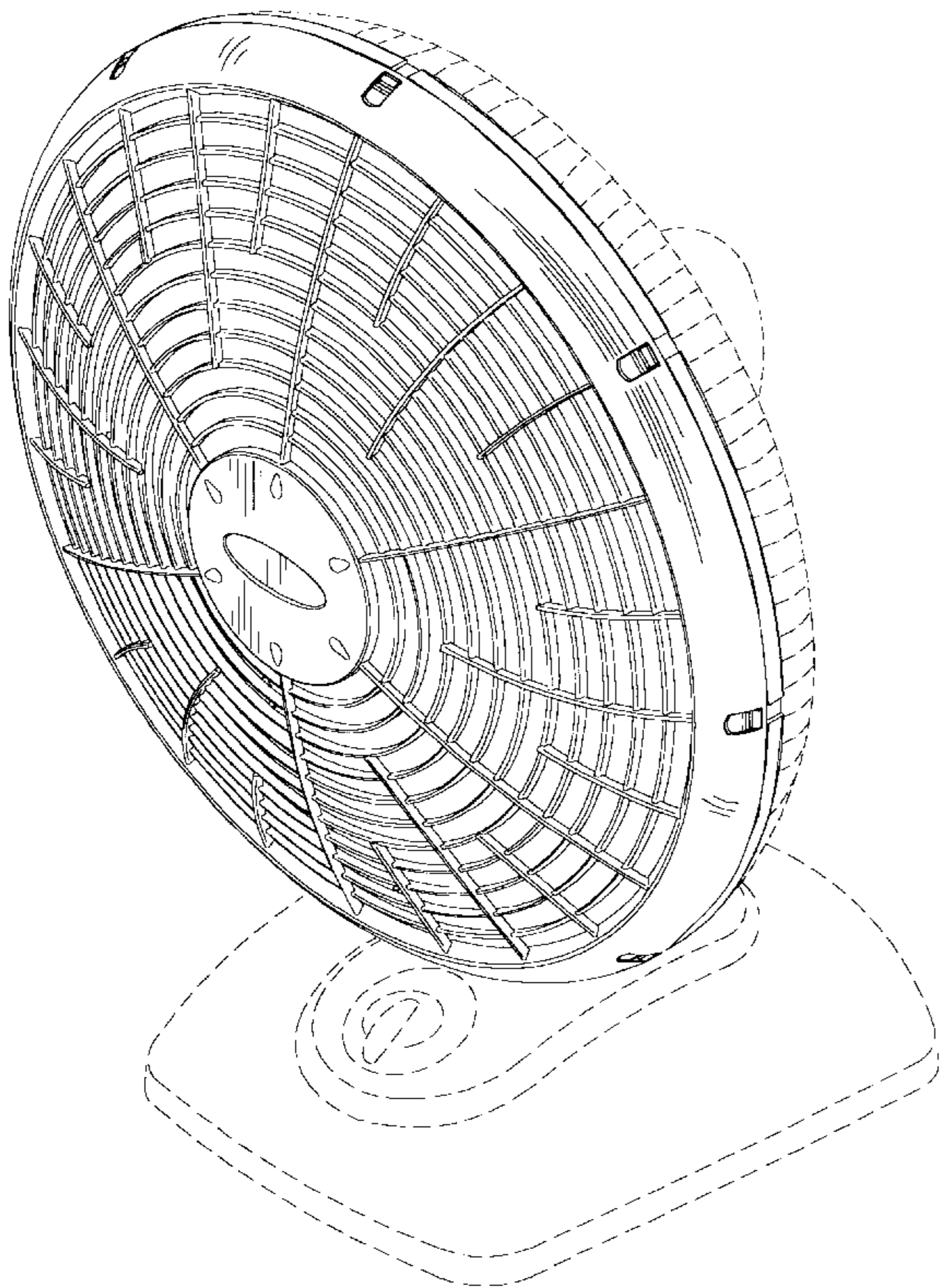
FIG. 2 is a front elevational view thereof;

FIG. 3 is a left side elevational view thereof, the opposite side being a mirror image of that shown; and,

FIG. 4 is a top plan view thereof, the bottom being a mirror image of that shown.

The broken line showing of environmental structure in FIGS. 1-4 is for illustrative purposes only and forms no part of the claimed design.

**1 Claim, 4 Drawing Sheets**



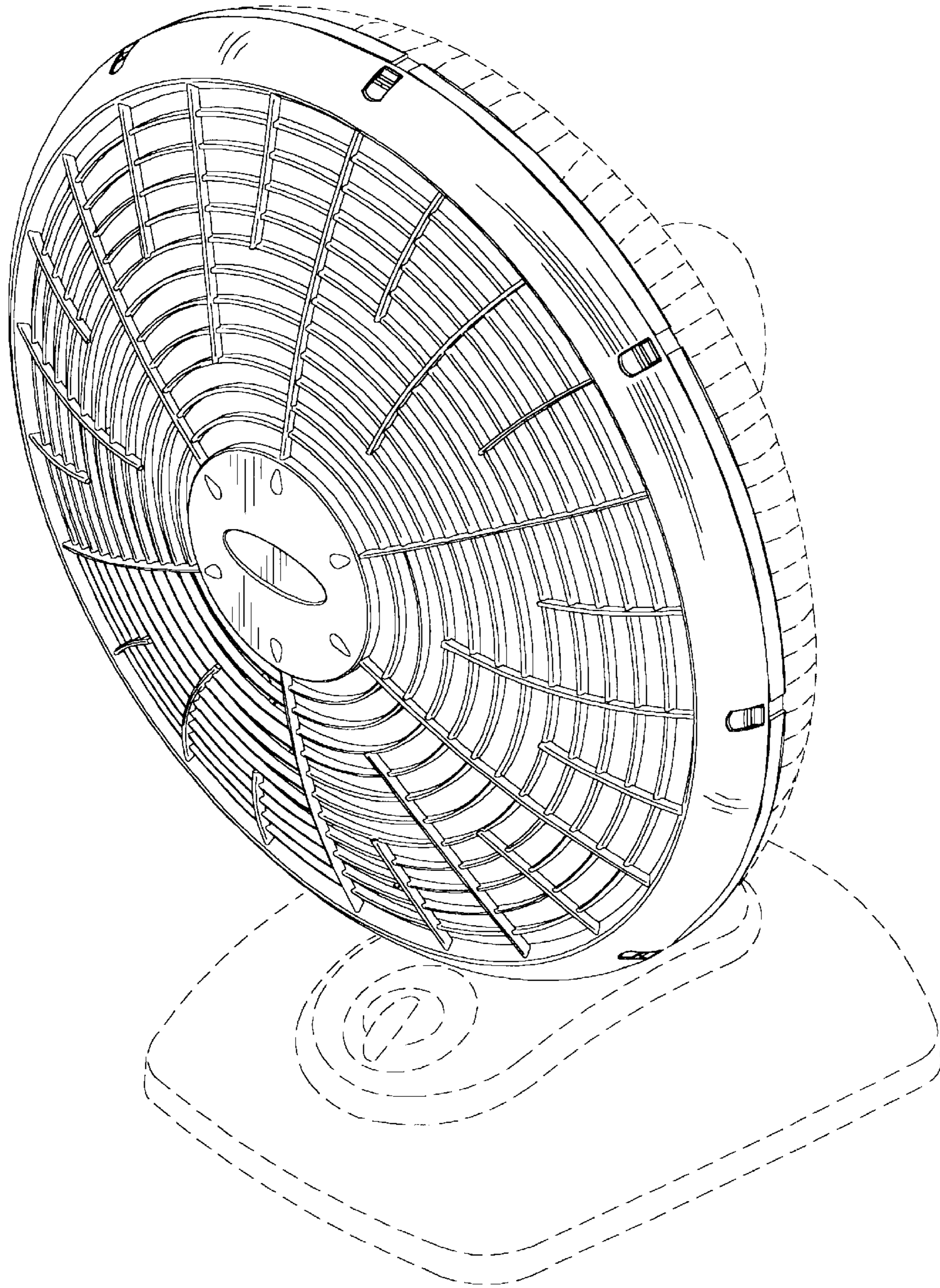


Fig. 1

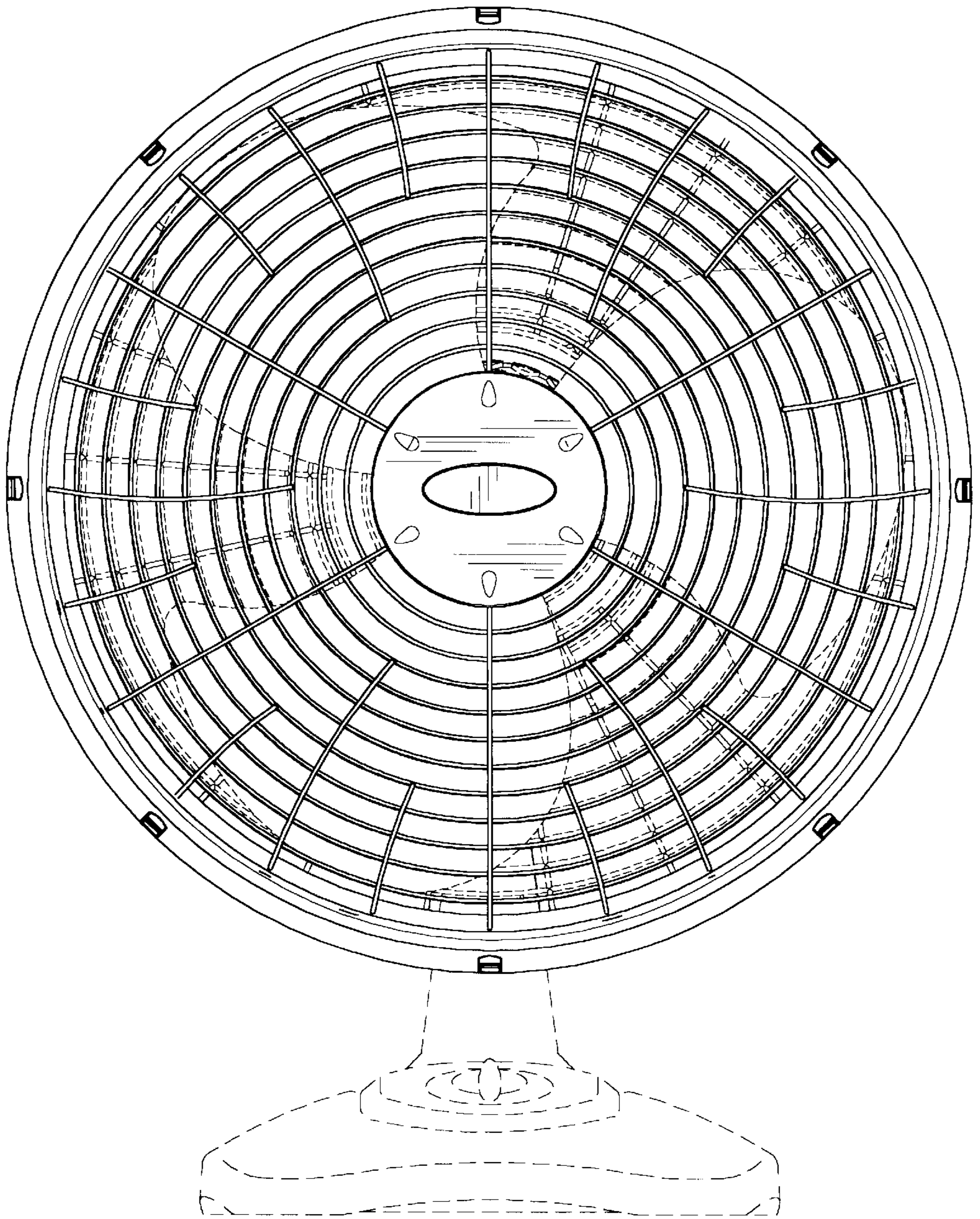


Fig. 2

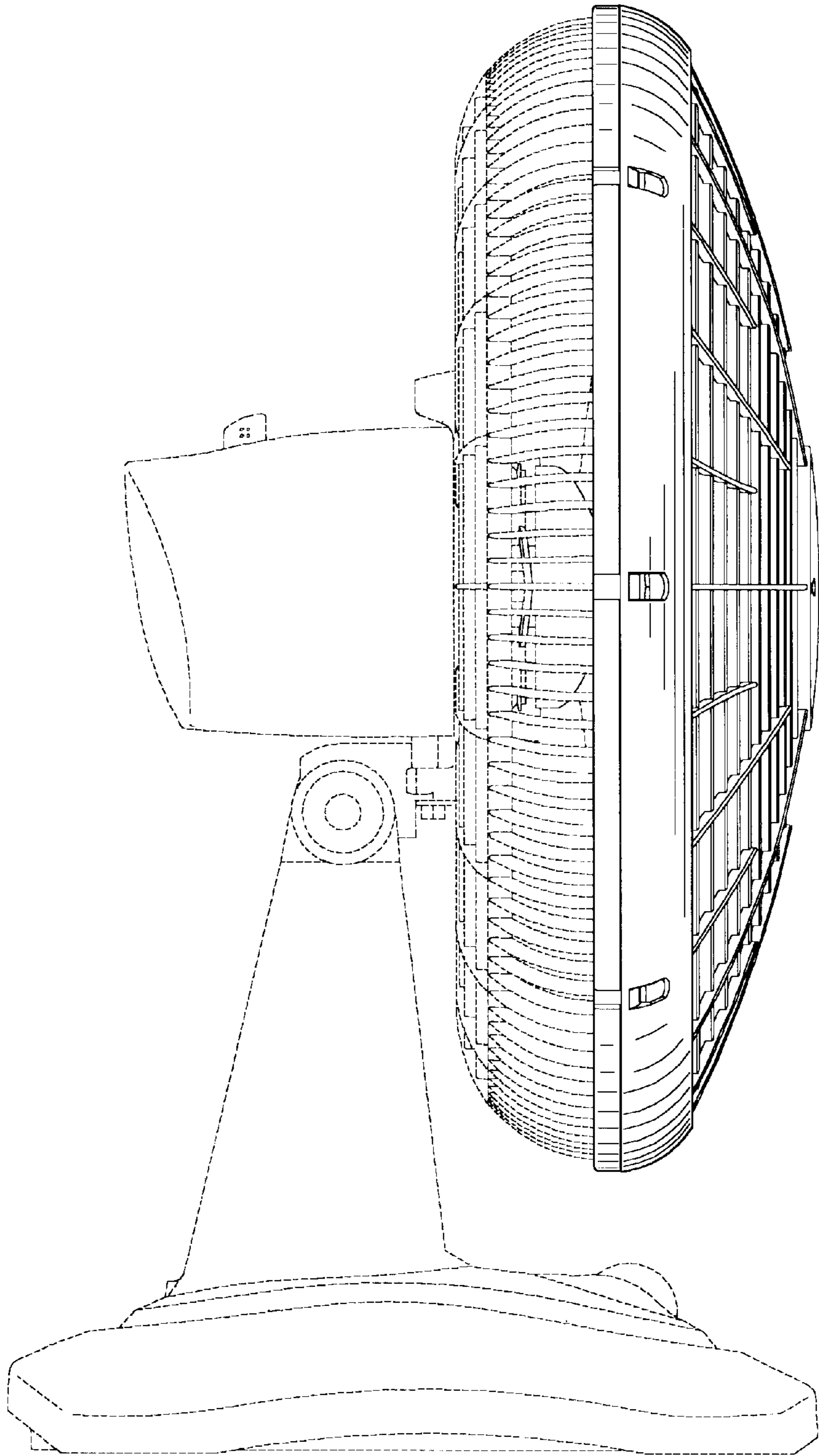


Fig. 3

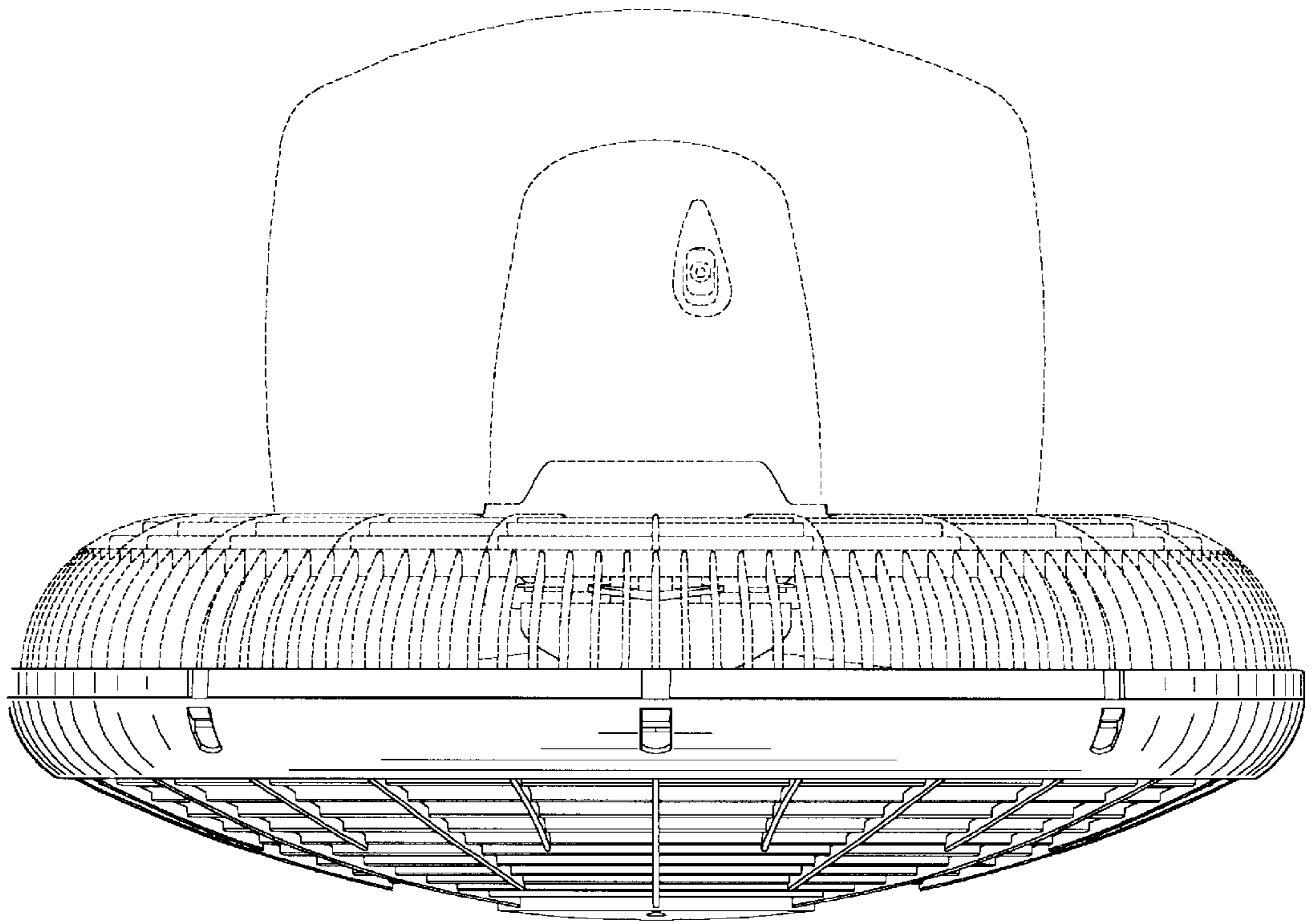


Fig. 4