



US00D454387S

(12) **United States Design Patent**  
**Bertoli**

(10) **Patent No.:** **US D454,387 S**

(45) **Date of Patent:** **\*\* Mar. 12, 2002**

(54) **BATHTUB**

D400,979 S \* 11/1998 D'Andrea et al. .... D23/277  
D409,730 S \* 5/1999 Jones ..... D23/277

(75) Inventor: **Franco Bertoli**, Milan (IT)

\* cited by examiner

(73) Assignee: **American Standard International Inc.**, New York, NY (US)

*Primary Examiner*—Robert A. Delehanty

(\*\*) Term: **14 Years**

(57) **CLAIM**

(21) Appl. No.: **29/127,721**

The ornamental design for a bathtub, as shown and described.

(22) Filed: **Aug. 10, 2000**

**DESCRIPTION**

(30) **Foreign Application Priority Data**

Feb. 11, 2000 (IT) ..... RE0000004

FIG. 1 is a perspective view of a bathtub showing my new design;

(51) **LOC (7) Cl.** ..... **23-02**

FIG. 2 is another perspective view;

(52) **U.S. Cl.** ..... **D23/277**

FIG. 3 is a front elevational view;

(58) **Field of Search** ..... D23/270, 275–280.4,  
D23/303–306; 4/538, 541.1–541.6, 545–548,  
555, 559, 584, 589, 594

FIG. 4 is a top plan view;

FIG. 5 is a left side elevational view;

FIG. 6 is a right side elevational view;

FIG. 7 is a longitudinal vertical cross-sectional view taken along line 7—7 of FIG. 8; and,

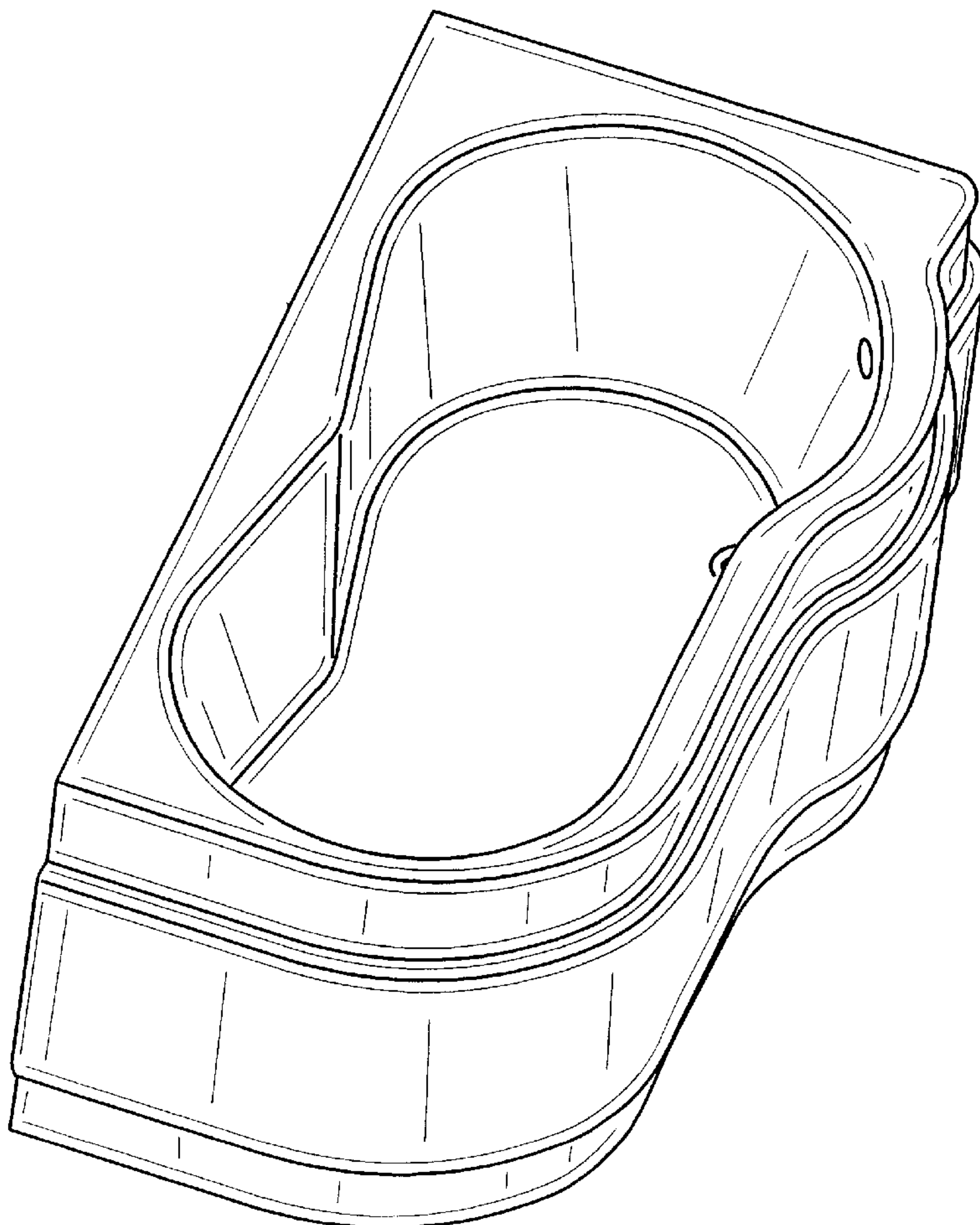
FIG. 8 is a transverse vertical cross-sectional view taken along line 8—8 of FIG. 7.

(56) **References Cited**

**U.S. PATENT DOCUMENTS**

D398,966 S \* 9/1998 Formgren ..... D23/277

**1 Claim, 7 Drawing Sheets**



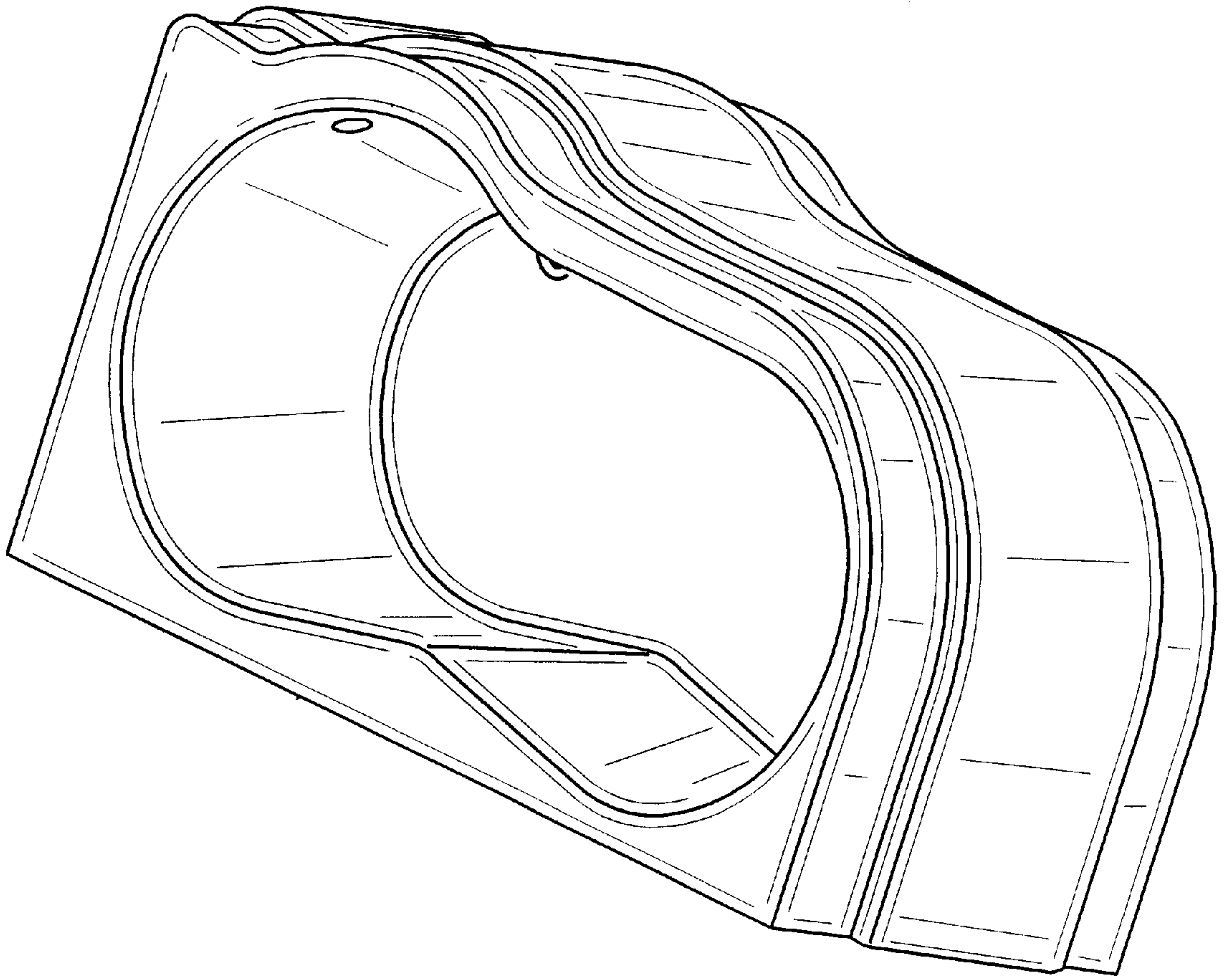


FIG. 1

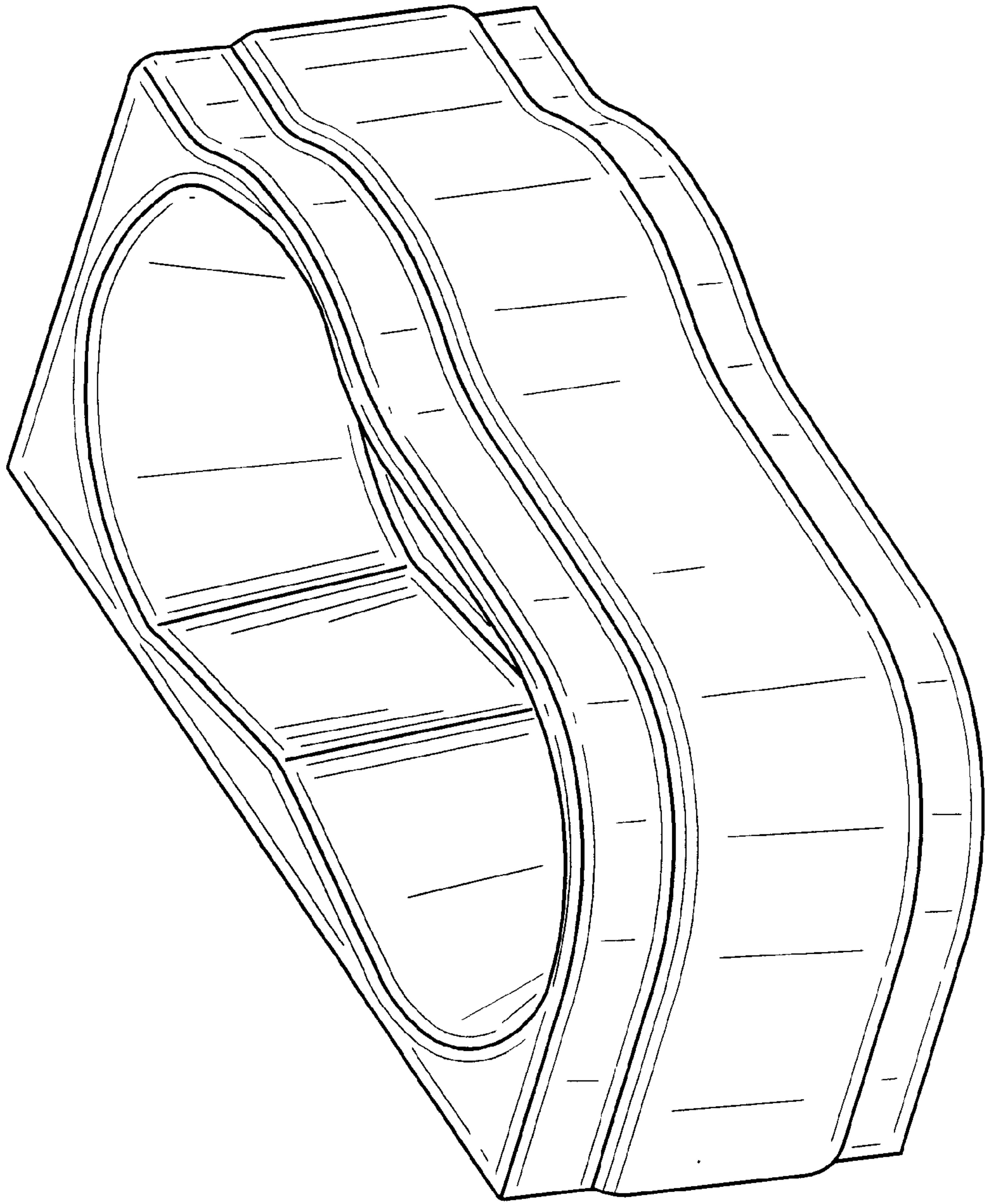


FIG. 2

FIG. 3

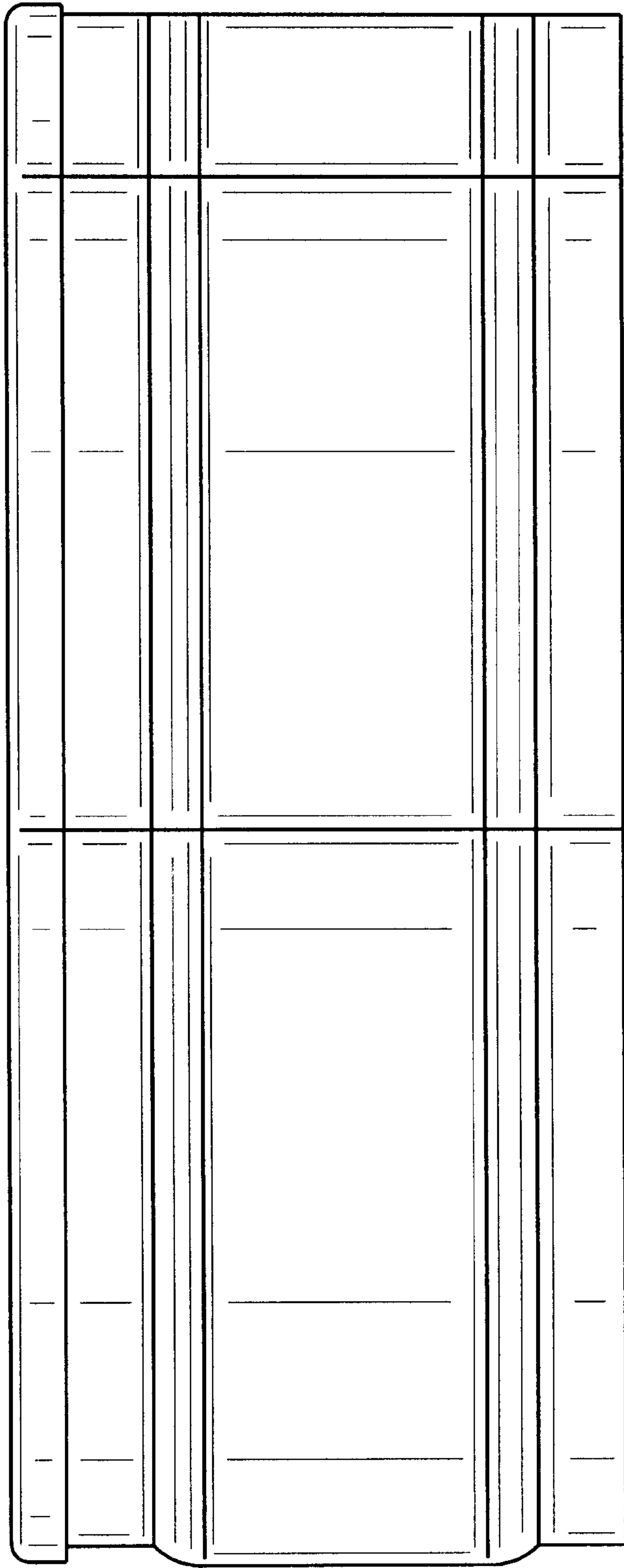




FIG. 4

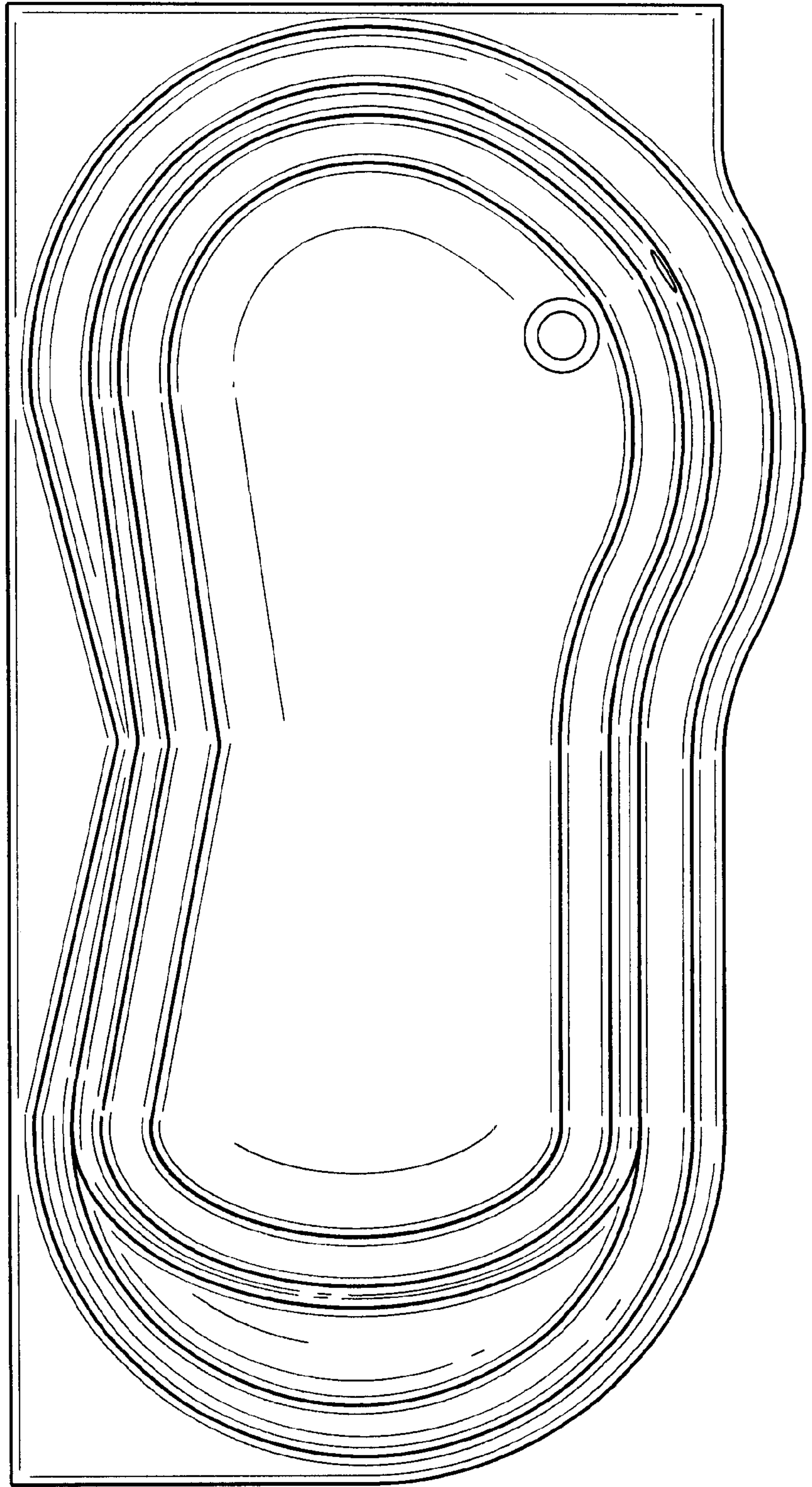


FIG. 6

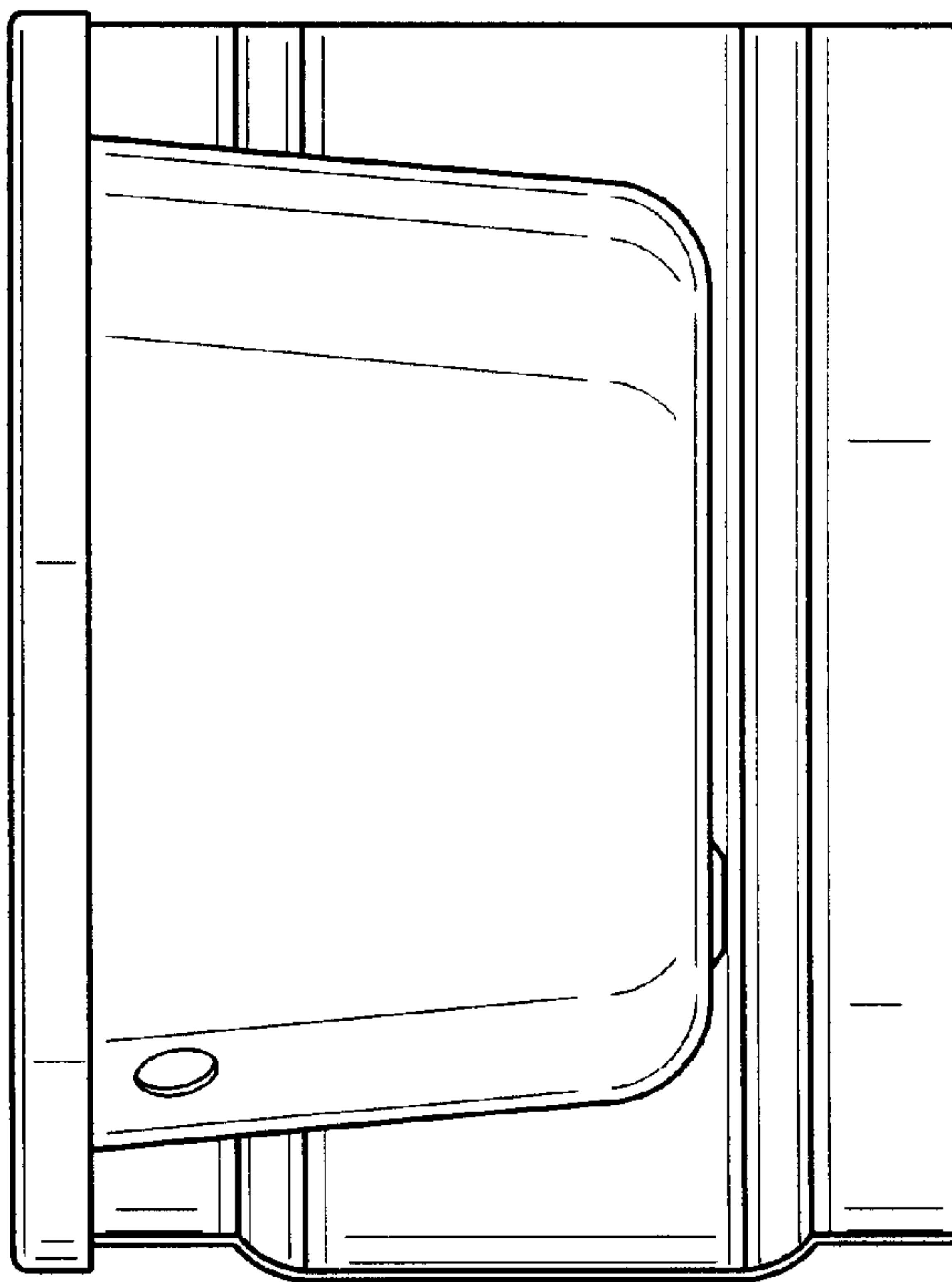


FIG. 5

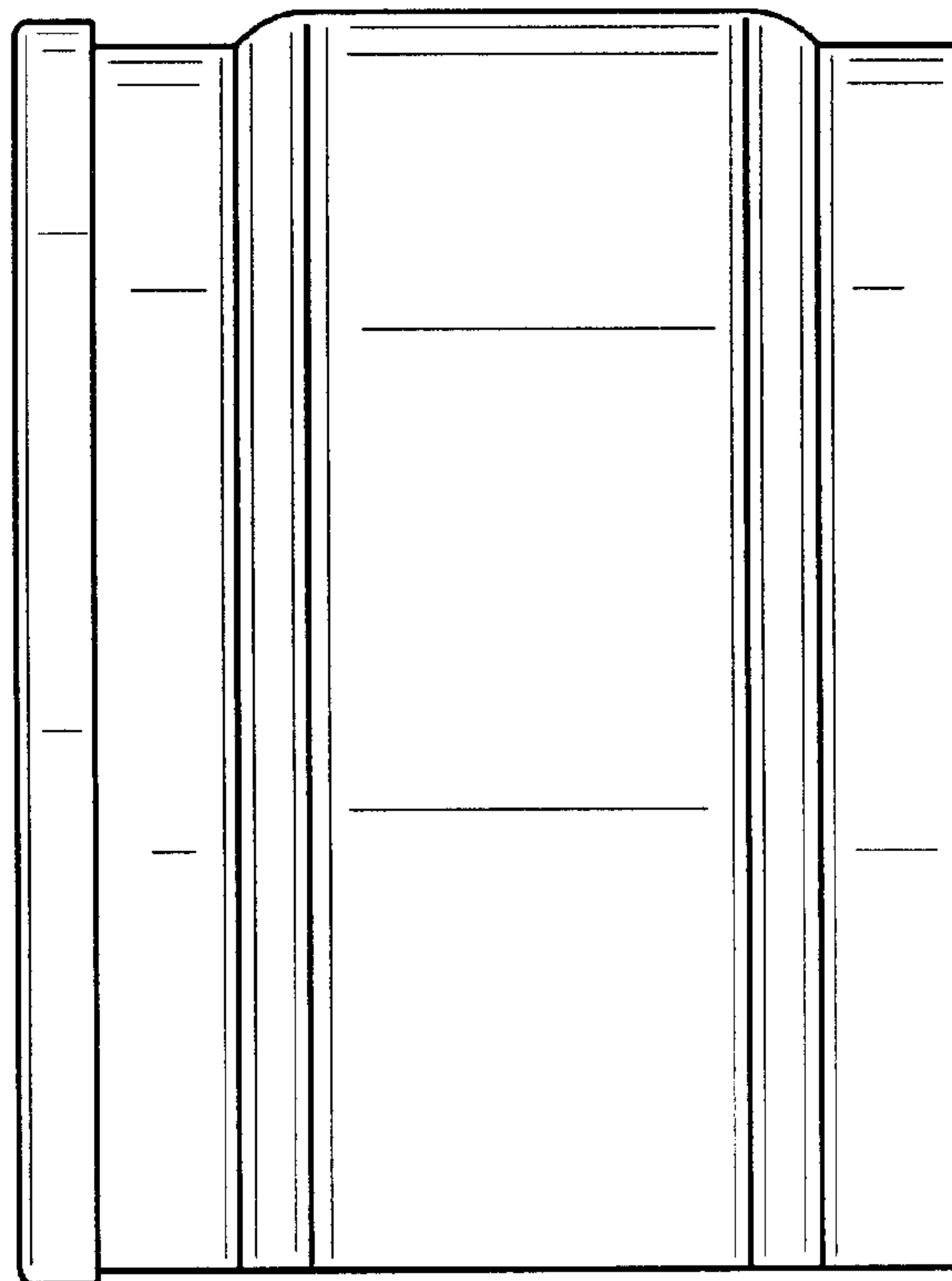


FIG. 7

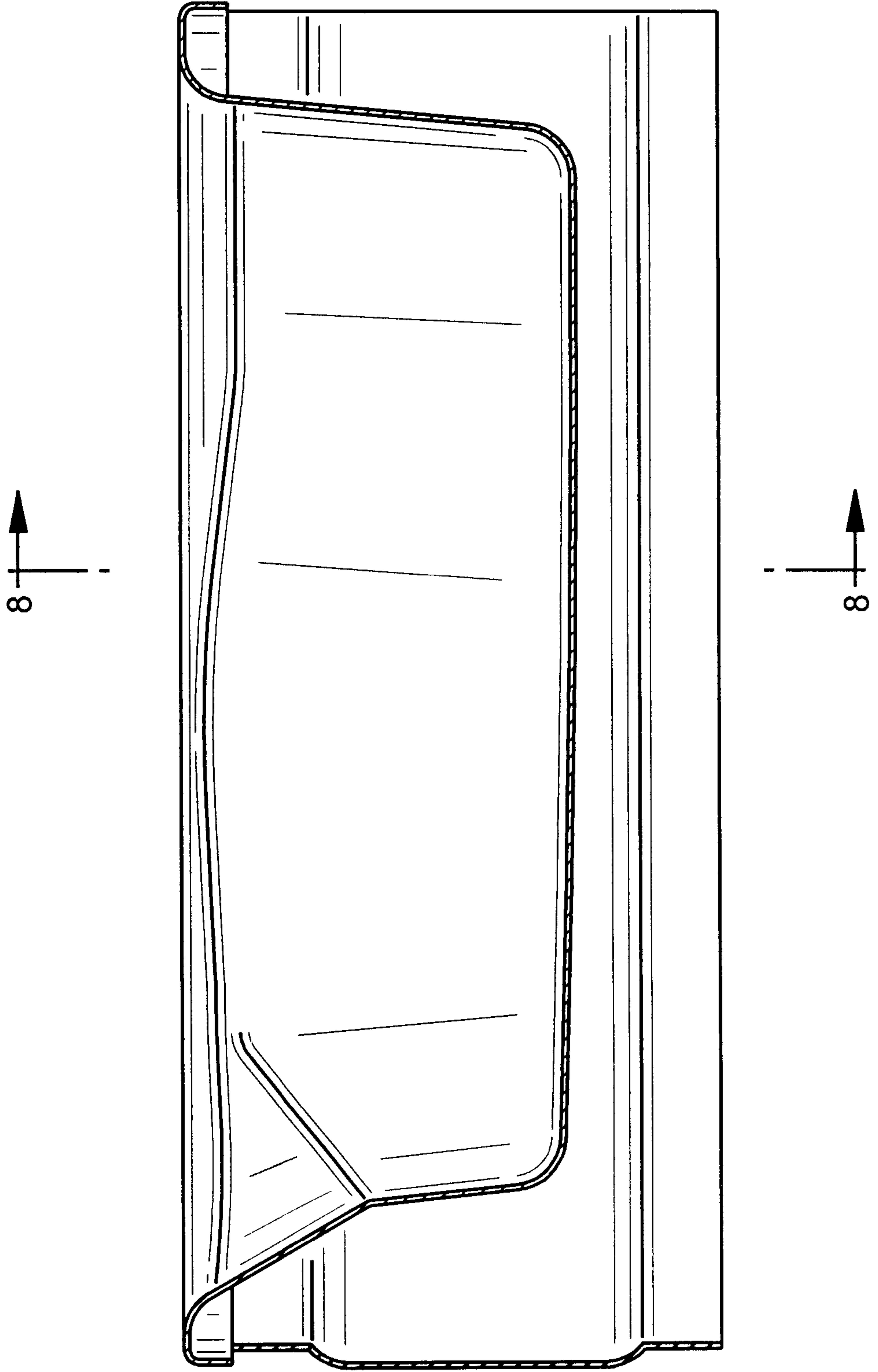


FIG. 8

