



US00D454380S

(12) **United States Design Patent**
Porper

(10) **Patent No.:** **US D454,380 S**

(45) **Date of Patent:** **** Mar. 12, 2002**

(54) **BILLIARDS BALL RACK**

(76) **Inventor:** **Joseph Porper**, 9142-44 Jordan Ave.,
Chatsworth, CA (US) 91311

(**) **Term:** **14 Years**

(21) **Appl. No.:** **29/137,008**

(22) **Filed:** **Feb. 8, 2001**

(51) **LOC (7) Cl.** **21-01**

(52) **U.S. Cl.** **D21/782**

(58) **Field of Search** D21/782; 473/1,
473/2, 40, 41

4,103,773 A	*	8/1978	Haber	D21/782 X
4,469,328 A		9/1984	Pacitti		
4,553,750 A		11/1985	Kintz		
4,903,965 A		2/1990	Smith		
D315,942 S	*	4/1991	Cahill	D21/782
5,376,054 A		12/1994	Kwasny et al.		
D367,306 S	*	2/1996	Fiscella	D21/782
5,556,341 A	*	9/1996	Bonn et al.	473/40
5,601,495 A		2/1997	Silverman		
5,735,750 A		4/1998	Silverman		
5,997,404 A		12/1999	Sardo		
6,261,187 B1	*	7/2001	Tsai	473/40

* cited by examiner

Primary Examiner—Prabhakar Deshmukh

(74) *Attorney, Agent, or Firm*—Kelly Bauersfeld Lowry & Kelley, LLP

(56) **References Cited**

U.S. PATENT DOCUMENTS

125,643 A	1/1872	Wilbur, Jr.	
464,475 A	12/1891	Fisher	
916,193 A	3/1909	Pierce	
1,052,461 A	2/1913	Chase	
1,660,626 A	* 2/1928	Rhoads 473/40
2,324,945 A	7/1943	Mistacu	
2,405,677 A	8/1946	Volpe	
2,422,939 A	6/1947	Volpe	
2,469,652 A	5/1949	Jones	
D159,558 S	8/1950	Sundell	
3,253,826 A	5/1966	Cook	
3,627,321 A	* 12/1971	Sardo D21/782 X
3,672,671 A	6/1972	Merola	
3,863,919 A	2/1975	Sardelli	
3,992,005 A	11/1976	Richey	

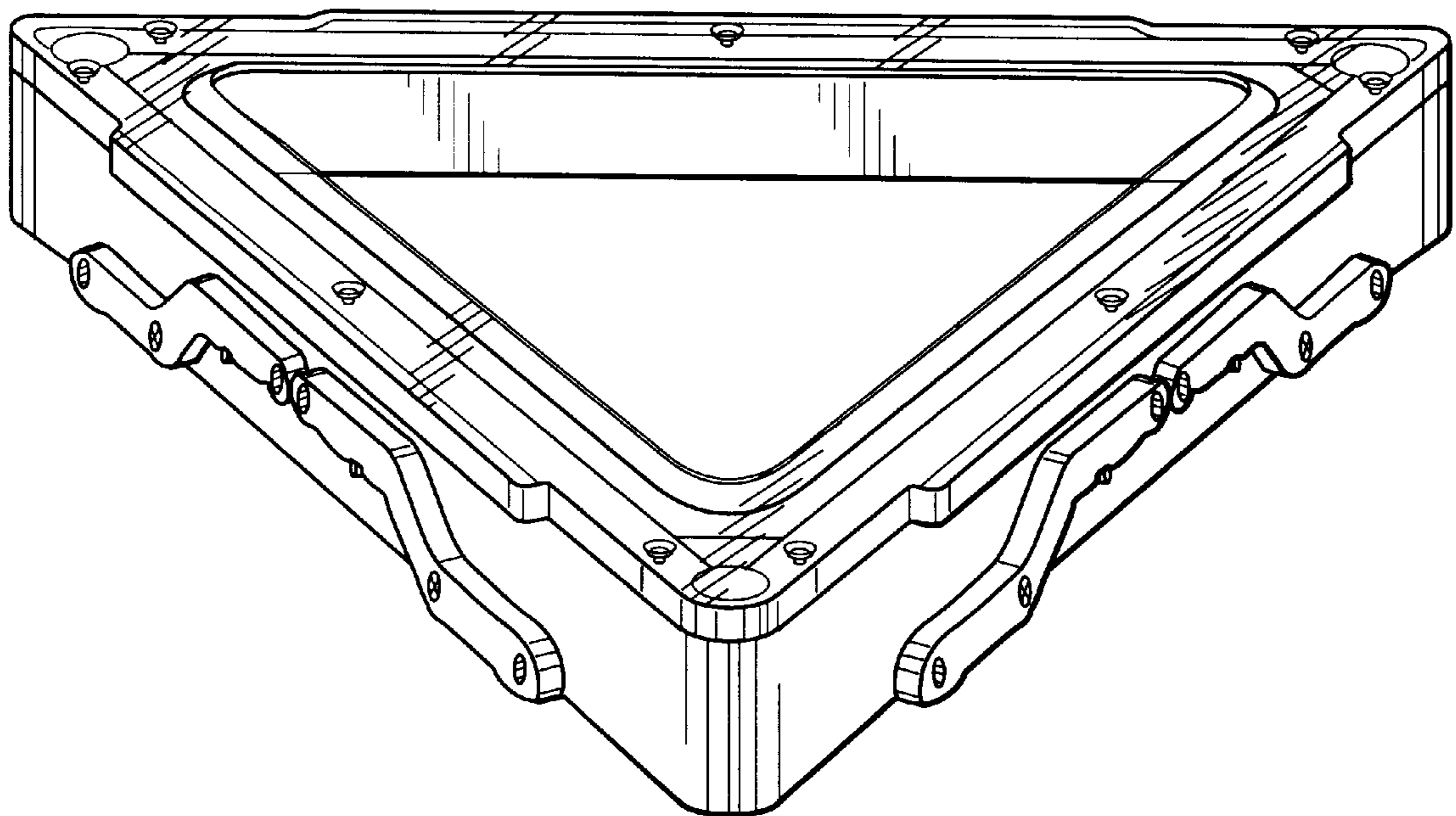
(57) **CLAIM**

The ornamental design for a billiards ball rack, as shown.

DESCRIPTION

FIG. 1 is a top and front perspective view of a billiards ball rack embodying my new design;
FIG. 2 is a front elevational view thereof;
FIG. 3 is a rear elevational view thereof;
FIG. 4 is a right side elevational view thereof;
FIG. 5 is a left side elevational view thereof;
FIG. 6 is a top plan view thereof; and,
FIG. 7 is a bottom plan view thereof.

1 Claim, 3 Drawing Sheets



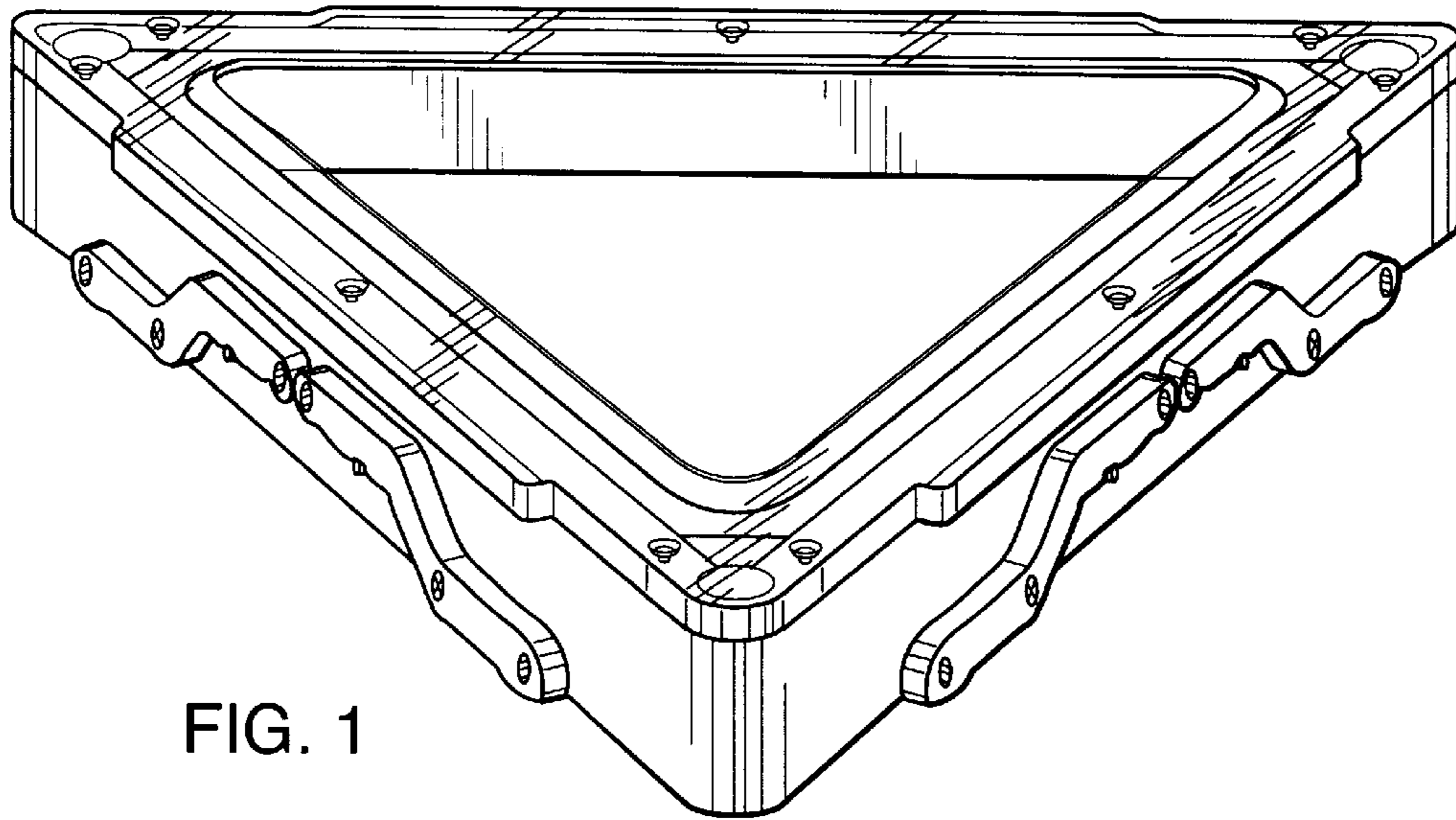


FIG. 1

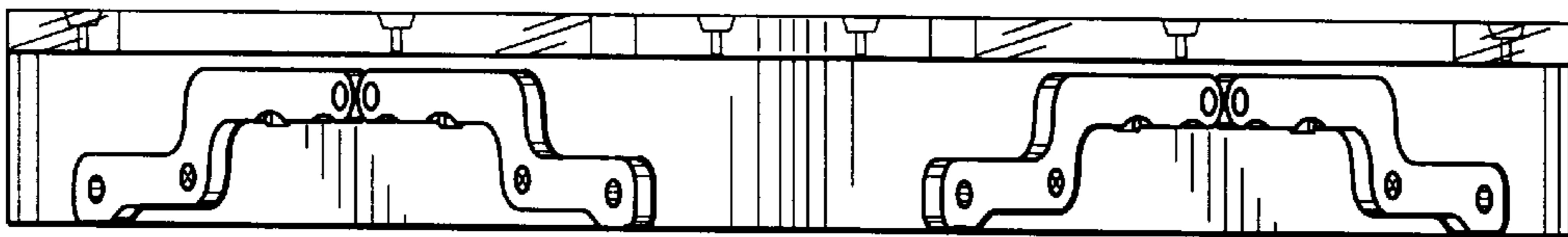


FIG. 2

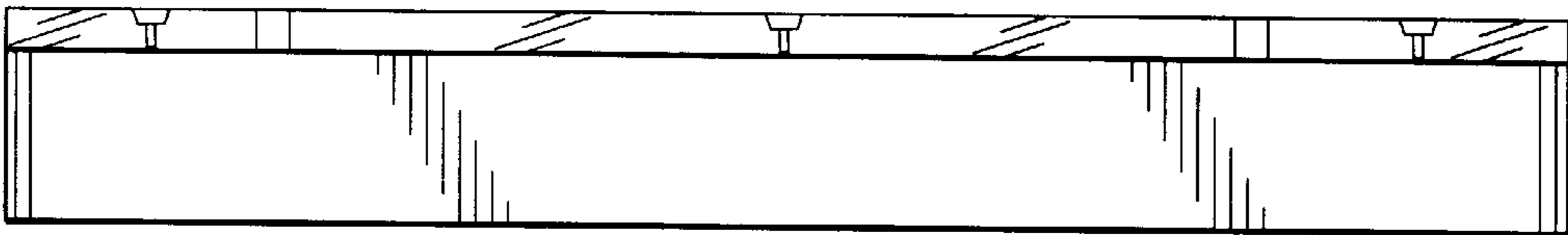


FIG. 3

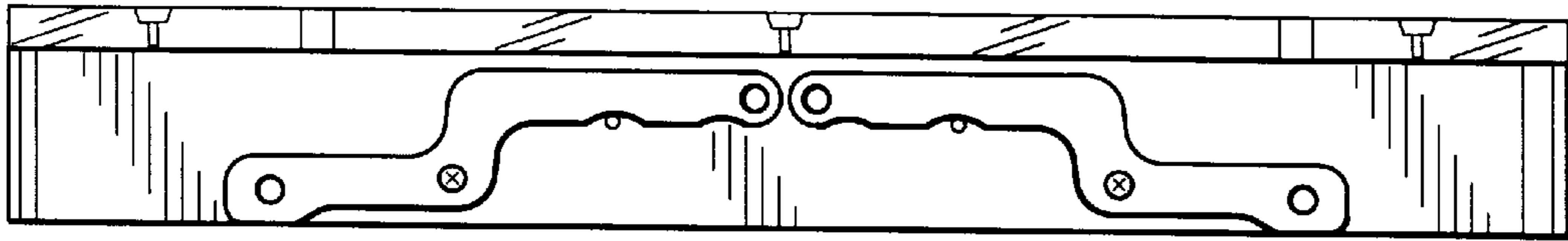


FIG. 4

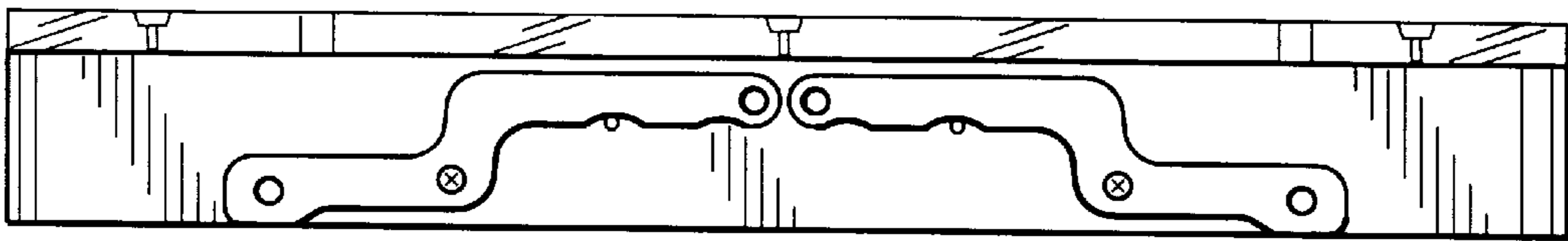


FIG. 5

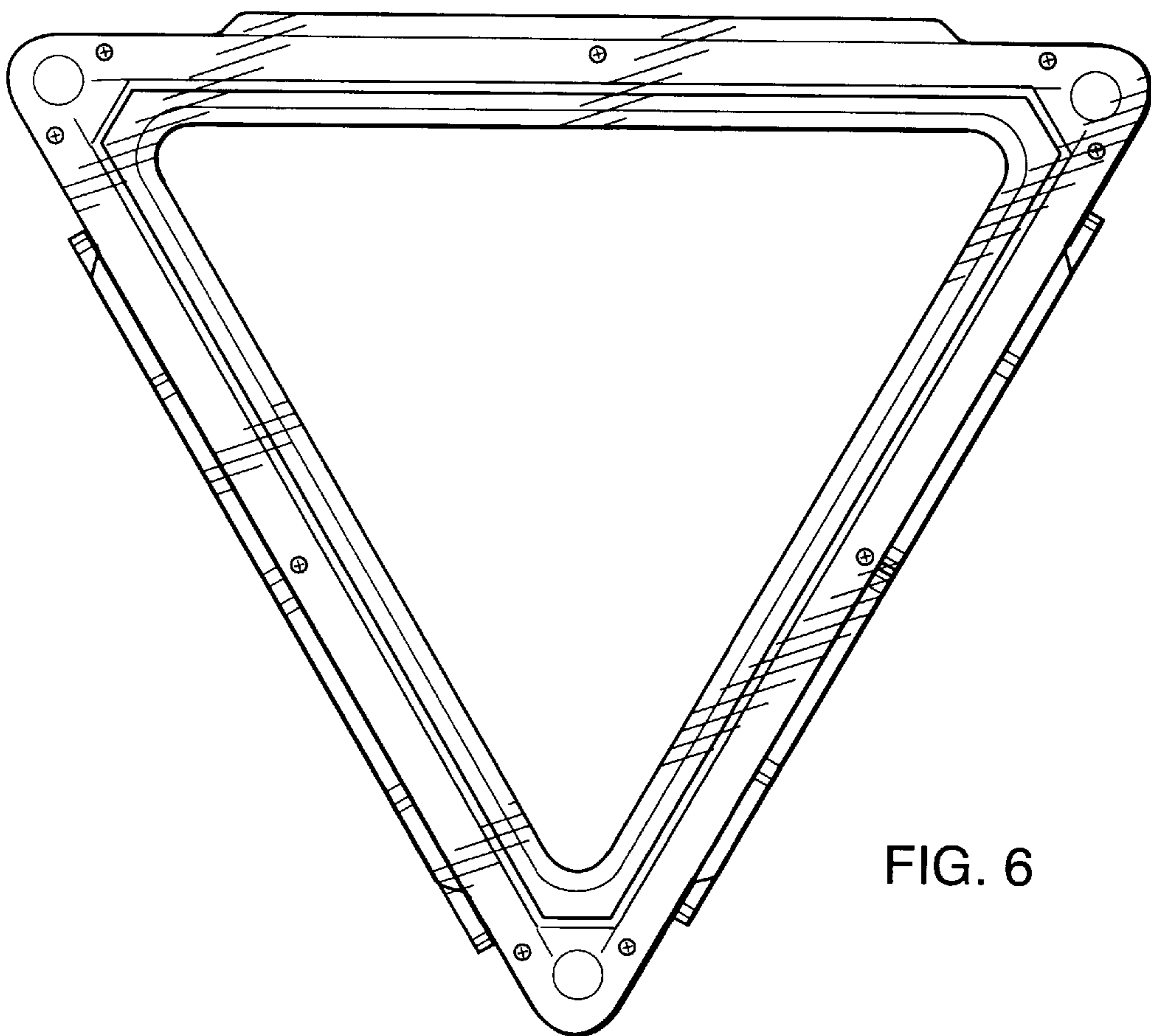


FIG. 6

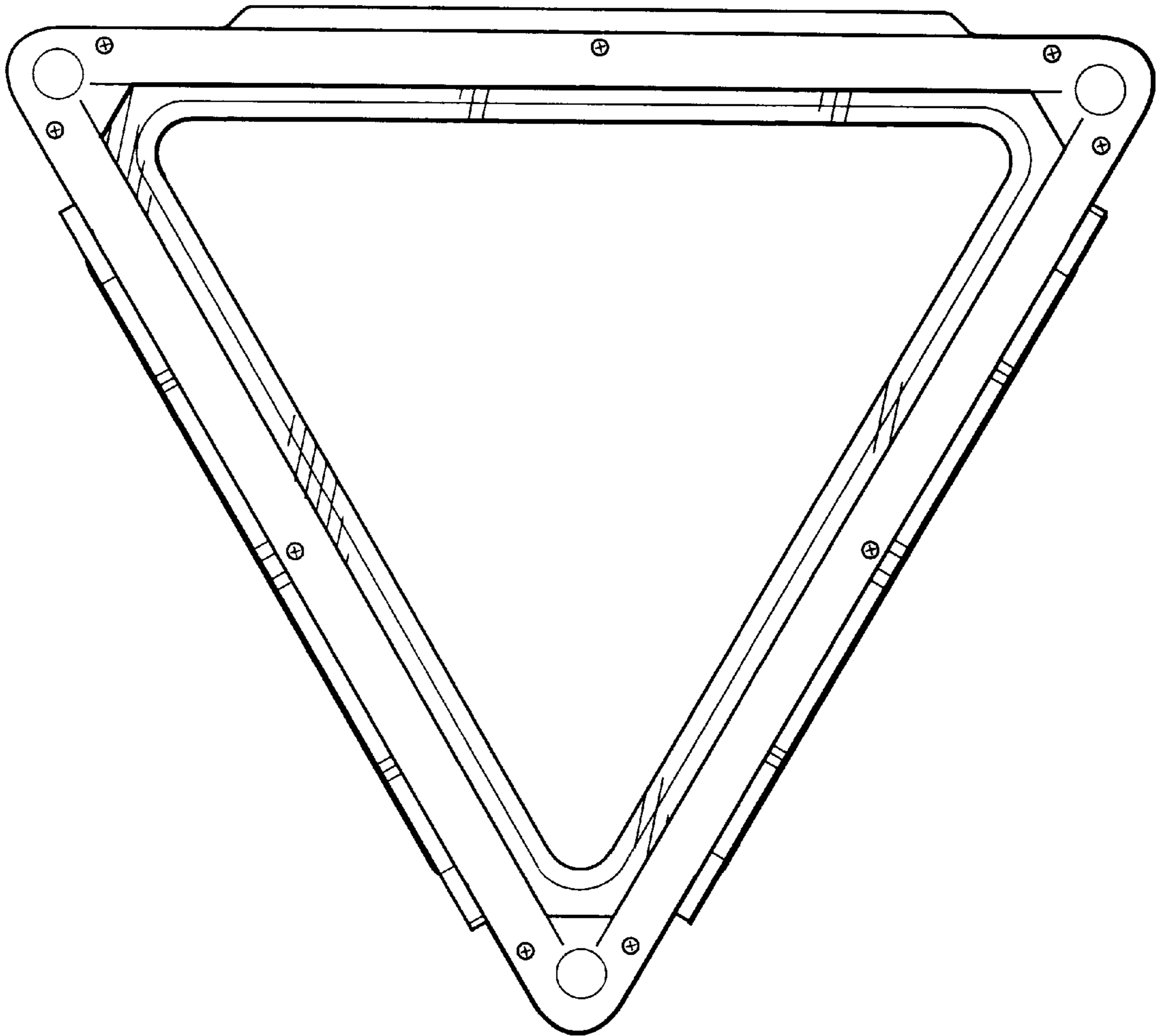


FIG. 7