



US00D454376S

(12) **United States Design Patent**
Bezalel et al.

(10) **Patent No.:** **US D454,376 S**
(45) **Date of Patent:** **** Mar. 12, 2002**

(54) **TOY CAPSULE**

(76) Inventors: **David Bezalel**, 1178 Frocan Ct.,
Hewlett, NY (US) 11557; **Andreas**
Wambach, Gartenstrasse 99 A,
Frankfurt am Main (DE), 60596

(**) Term: **14 Years**

(21) Appl. No.: **29/119,554**

(22) Filed: **Mar. 2, 2000**

(51) **LOC (7) Cl.** **21-01**

(52) **U.S. Cl.** **D21/398**

(58) **Field of Search** D21/398, 484,
D21/488; 446/105, 120, 124, 125

(56) **References Cited**

U.S. PATENT DOCUMENTS

5,180,323 A * 1/1993 Justice 446/120
D409,678 S * 5/1999 Toft D21/488
D410,974 S * 6/1999 Toft D21/488

* cited by examiner

Primary Examiner—Dominic Simone

(74) *Attorney, Agent, or Firm*—Dennis G. LaPointe; Mason
& Associates, PA

(57) **CLAIM**

We claim the ornamental design for toy capsule, as shown,
and described.

DESCRIPTION

FIG. 1 is an elevational frontal view of a toy capsule
showing our design, the left side, right side and rear views
being respective mirror images thereof;

FIG. 2 is a top plan view thereof;

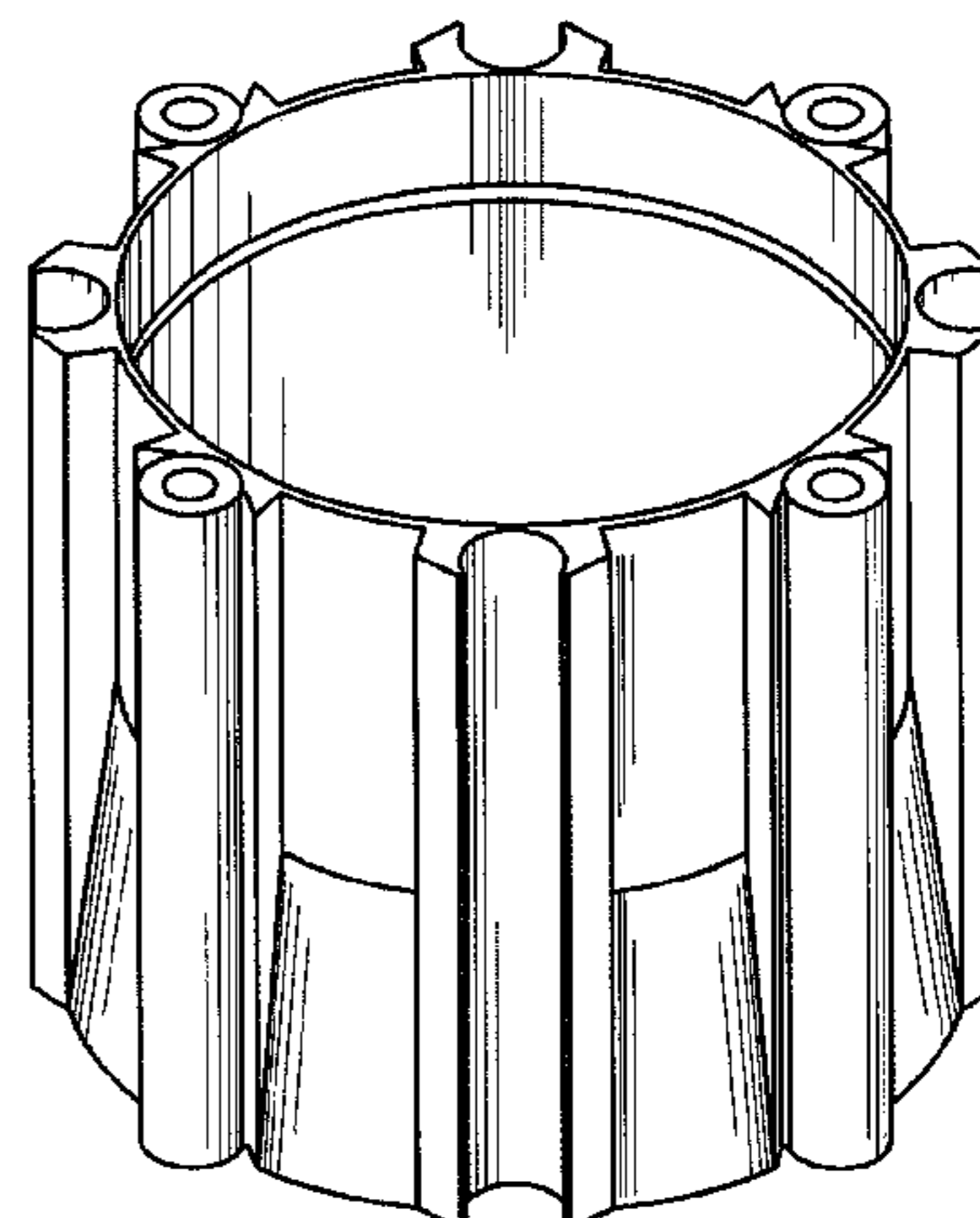
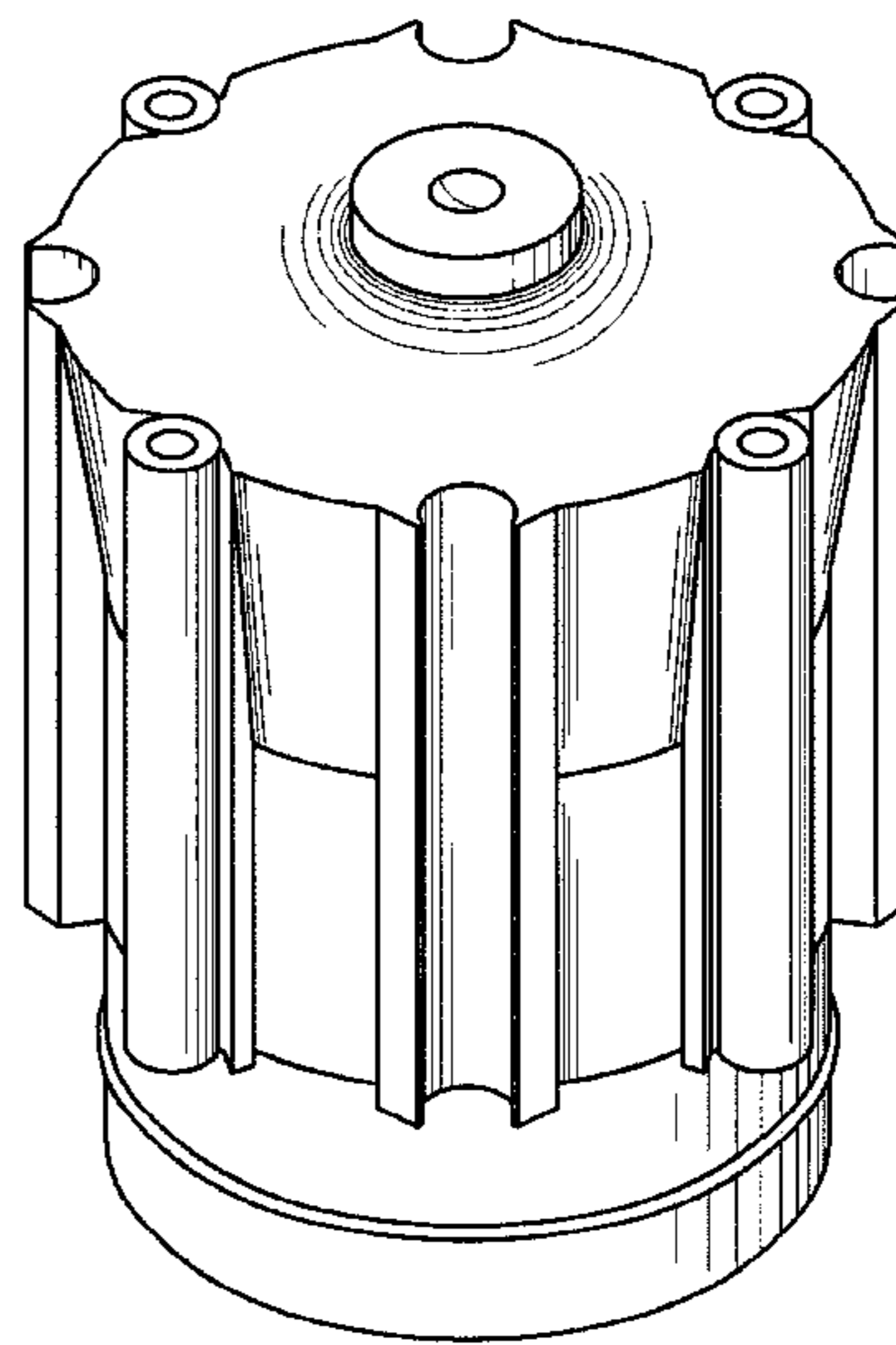
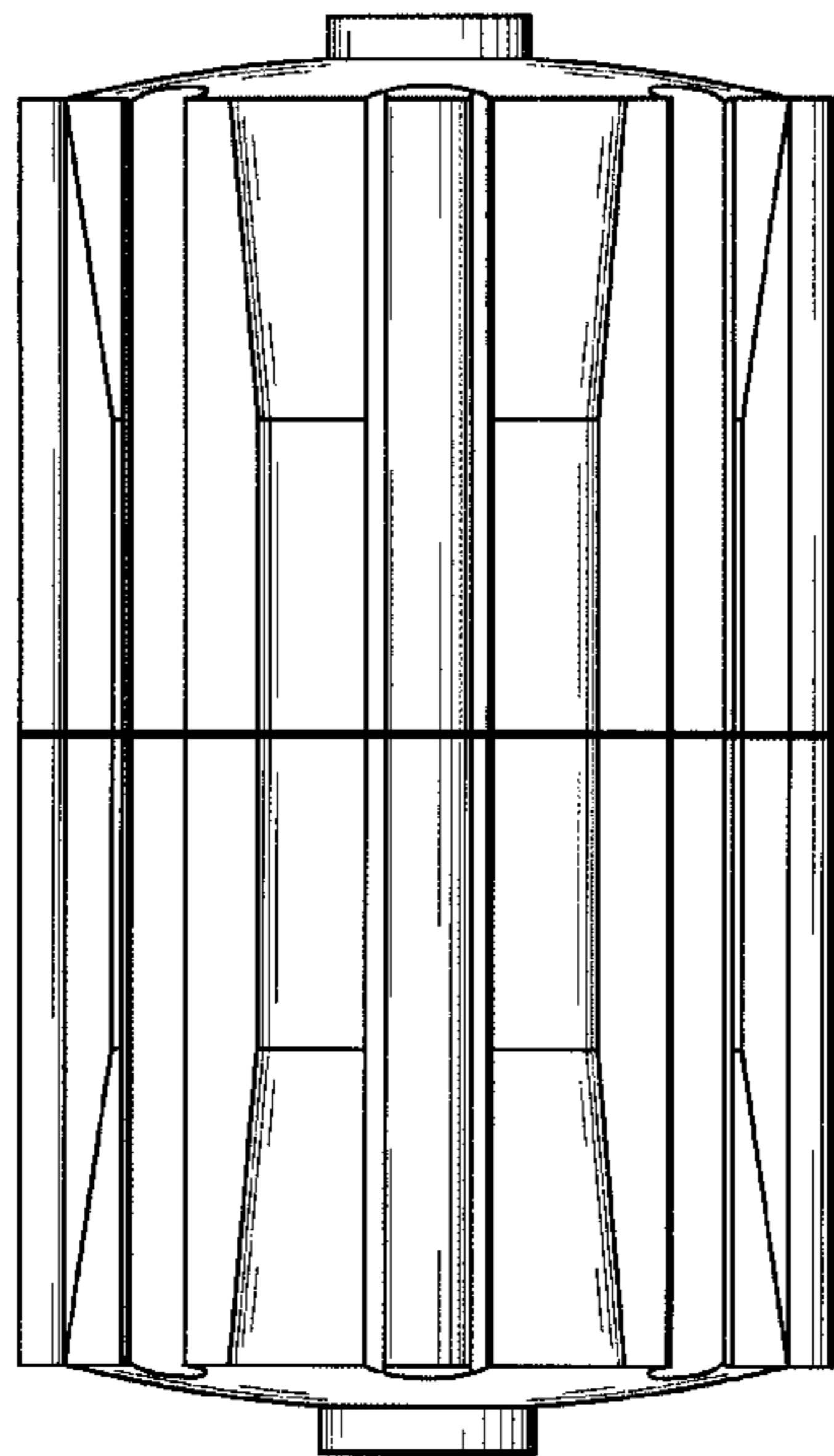
FIG. 3 is a bottom plan view thereof;

FIG. 4 is an exploded front elevational view thereof;

FIG. 5 is an exploded top perspective view thereof; and,

FIG. 6 is an inverted, exploded, bottom perspective view
thereof.

1 Claim, 4 Drawing Sheets



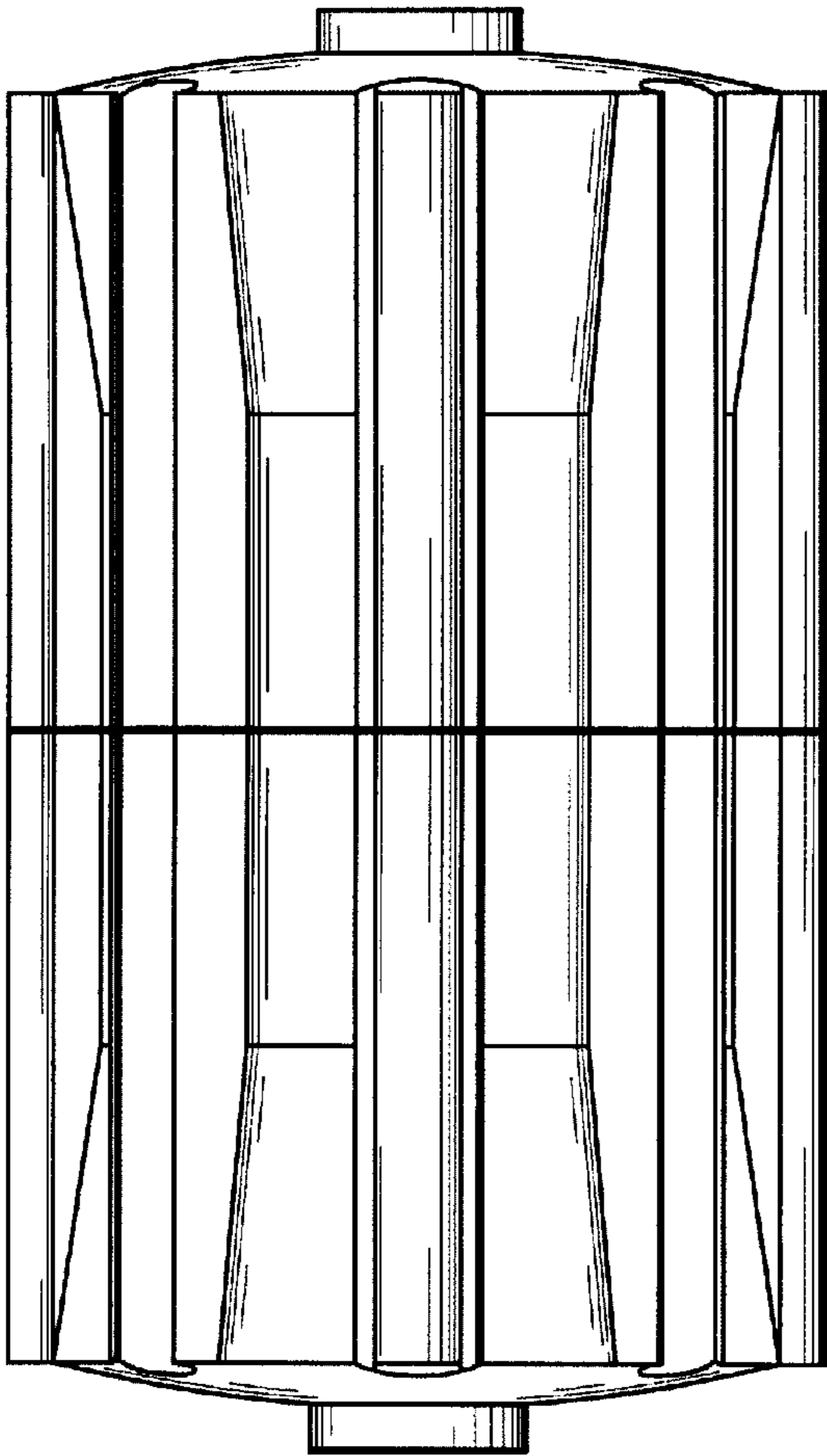


Fig. 1

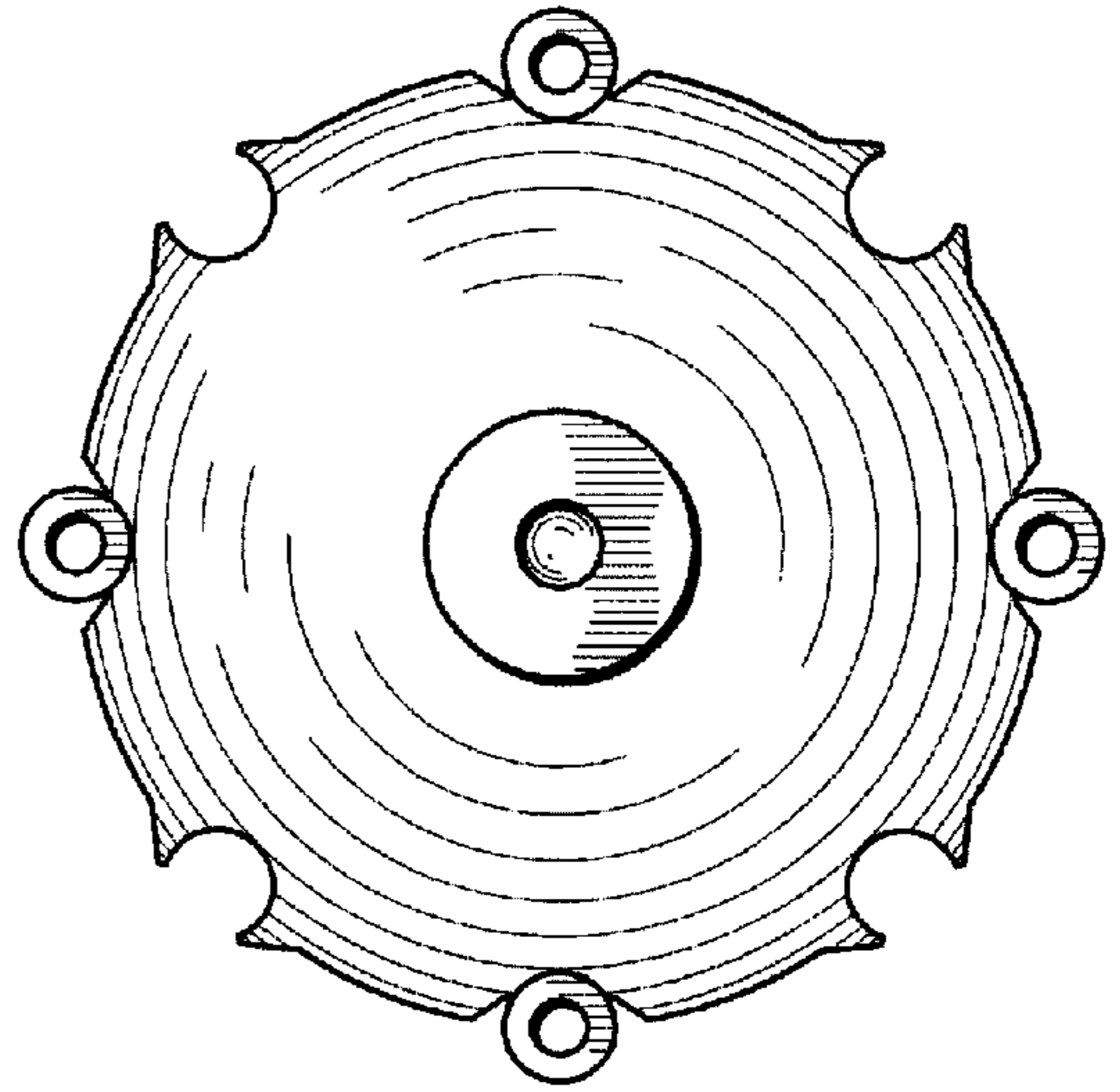


Fig. 2

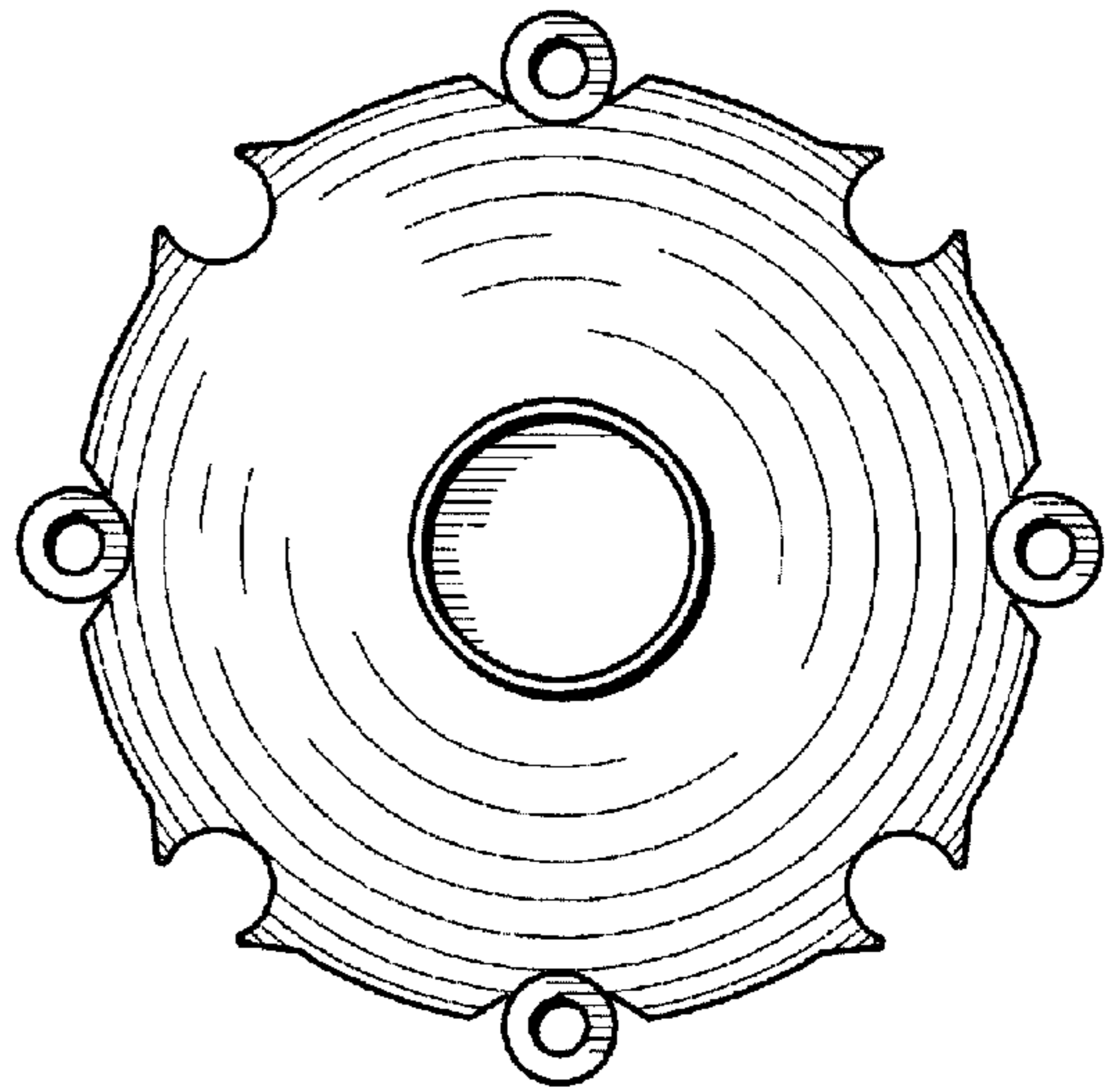


Fig. 3

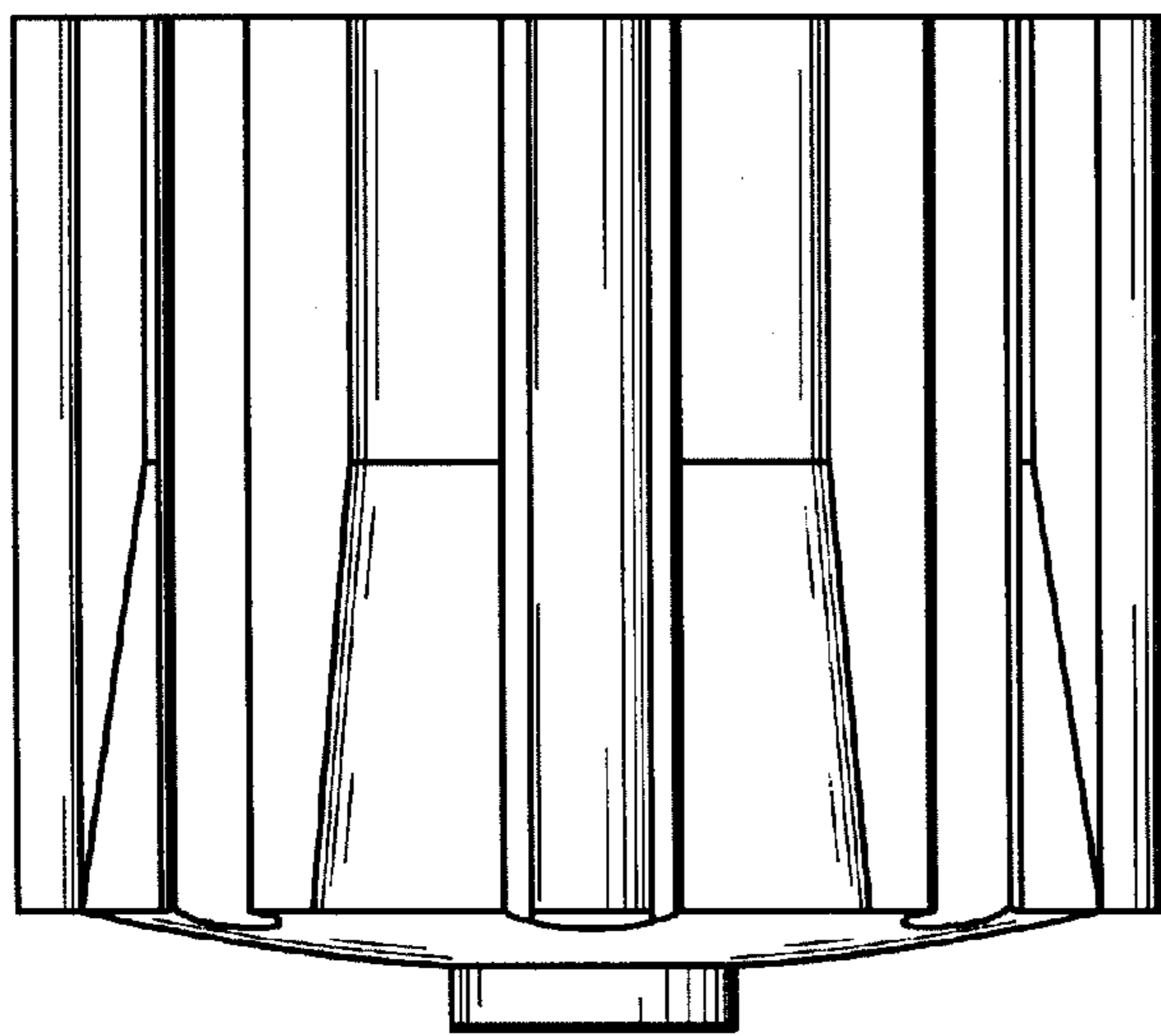
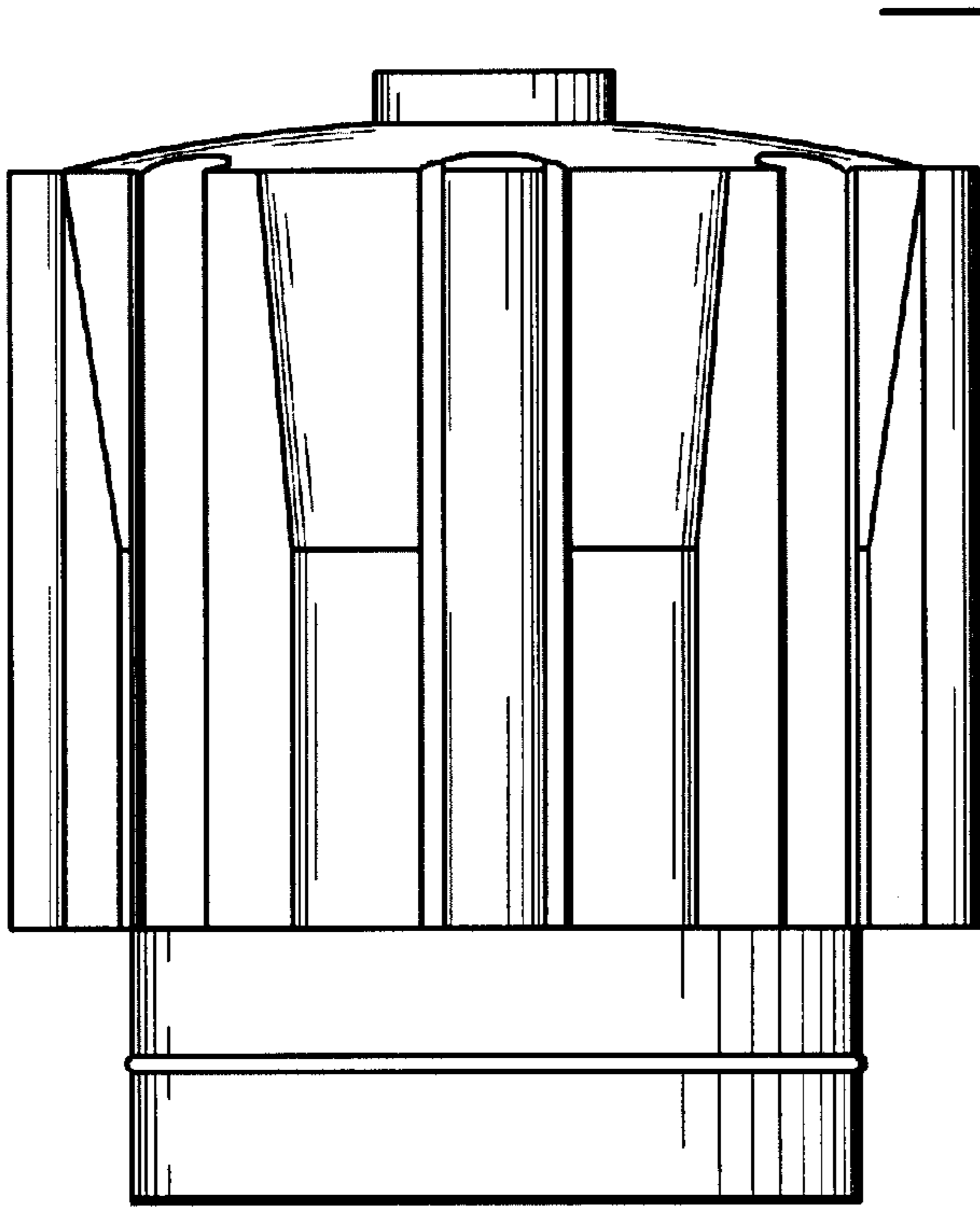


Fig. 4

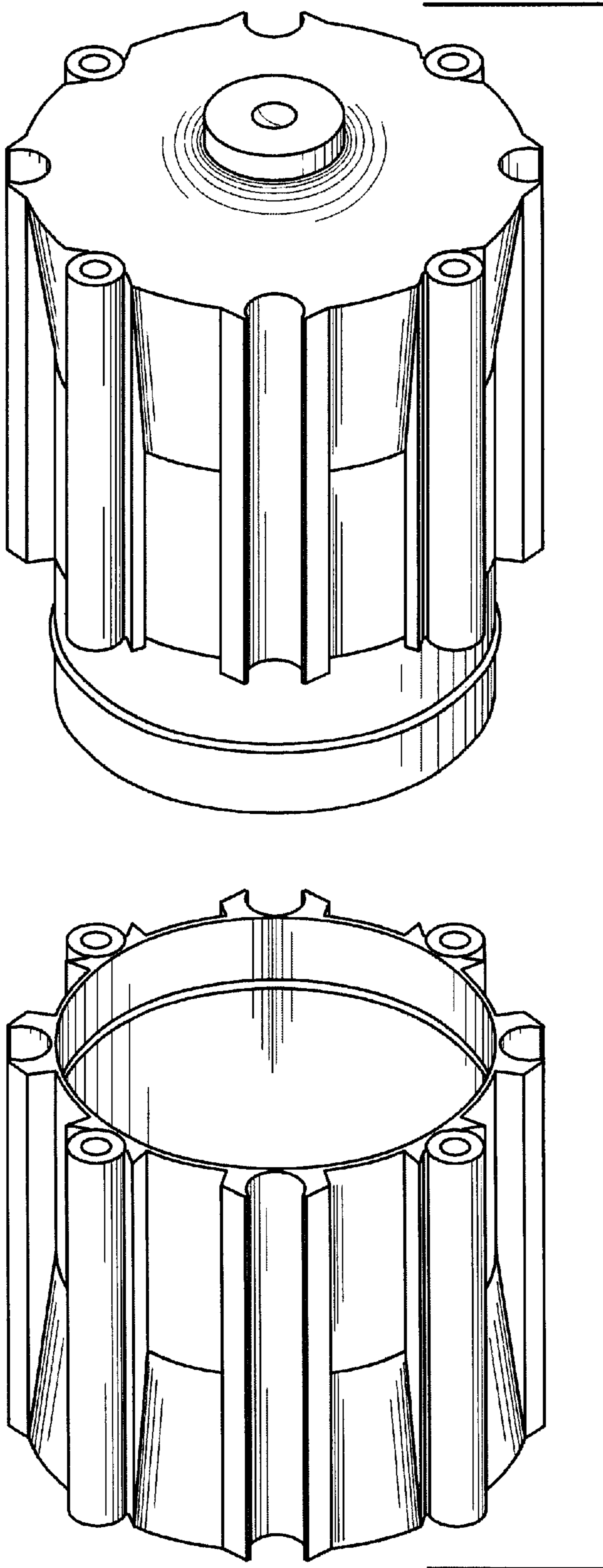


Fig. 5

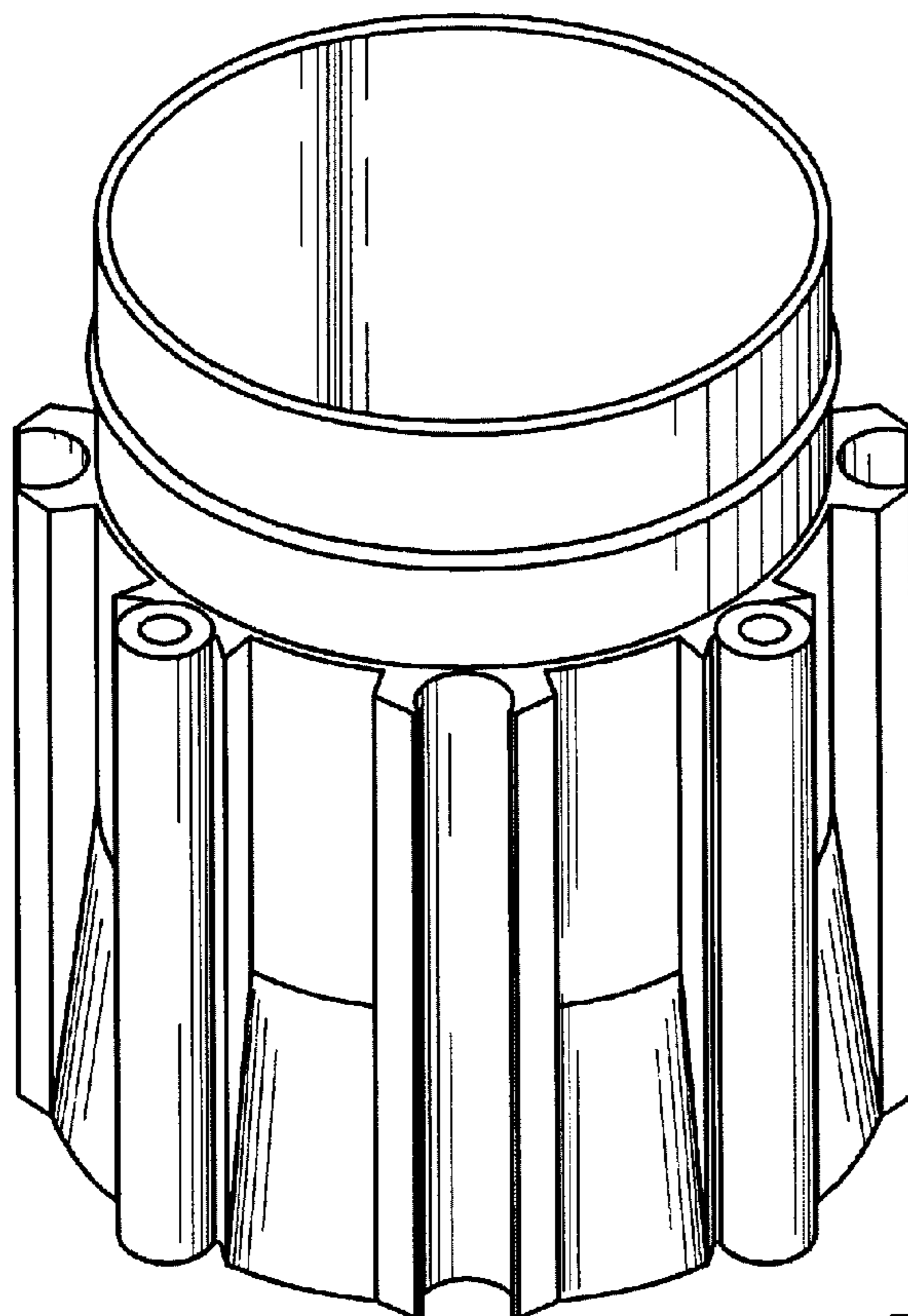
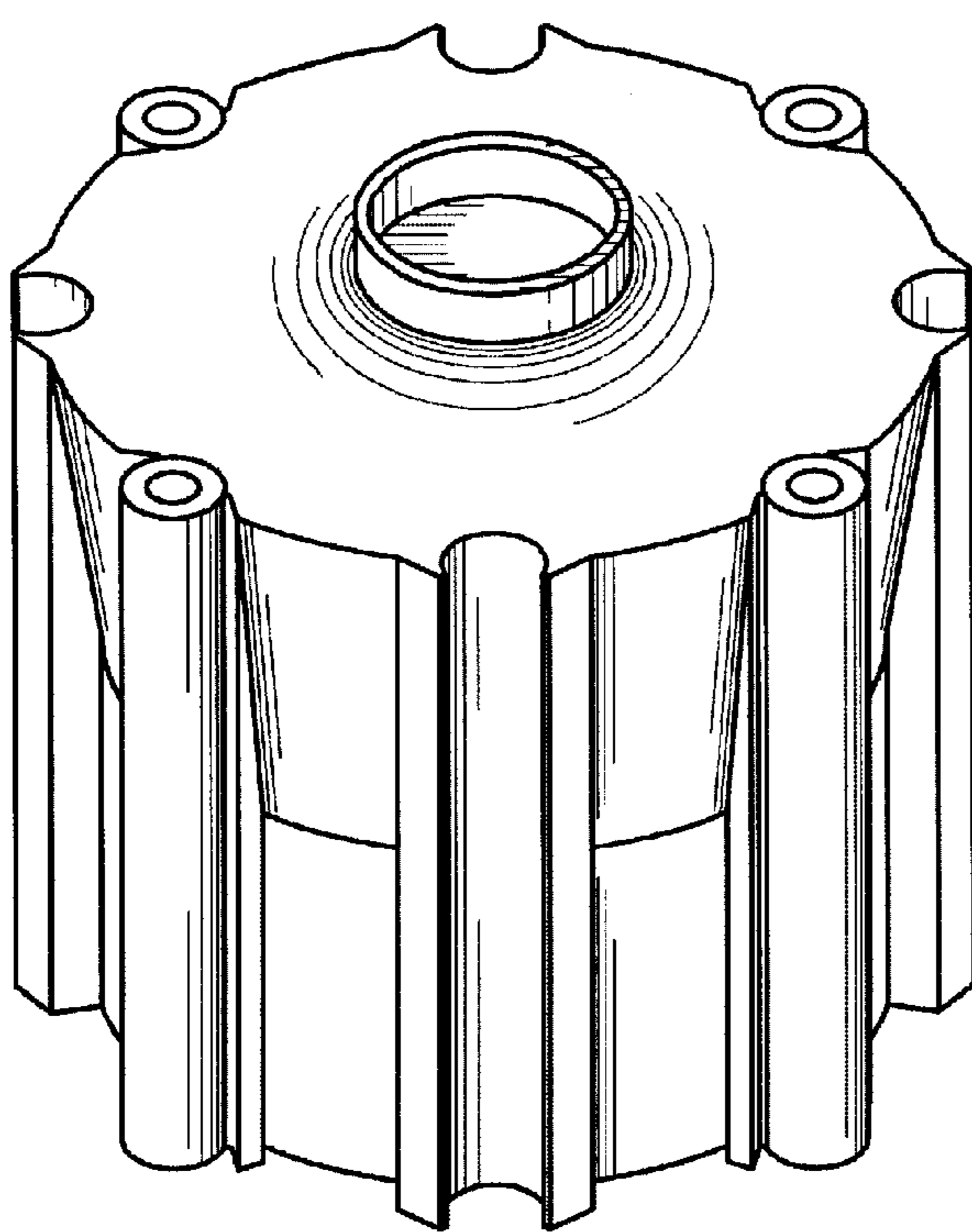


Fig. 6