



US00D454374S

(12) **United States Design Patent**
Ashida

(10) **Patent No.:** **US D454,374 S**
(45) **Date of Patent:** **** Mar. 12, 2002**

- (54) **VIDEO GAME MACHINE**
- (75) Inventor: **Kenichiro Ashida, Kyoto (JP)**
- (73) Assignee: **Nintendo Co., Ltd. (JP)**
- (**) Term: **14 Years**
- (21) Appl. No.: **29/146,193**
- (22) Filed: **Aug. 7, 2001**

- D280,834 S 10/1985 Yokoi
- 4,639,225 A * 1/1987 Washizuka 273/148 B
- D299,726 S 2/1989 Yukawa
- D324,548 S 3/1992 Ashida
- D333,686 S 3/1993 Barr et al.
- 5,192,082 A * 3/1993 Inoue et al. 463/46
- D350,992 S 9/1994 Barr
- D367,895 S * 3/1996 Goto D321/332
- D379,832 S 6/1997 Ashida
- D393,884 S * 4/1998 Hayami D21/332
- D402,328 S 12/1998 Ashida
- D407,761 S 4/1999 Barr
- 5,964,661 A * 10/1999 Dodge 273/148 B
- D419,200 S * 1/2000 Ashida D21/332

Related U.S. Application Data

- (62) Division of application No. 29/128,262, filed on Jul. 31, 2000.

(30) **Foreign Application Priority Data**

- Jan. 31, 2000 (JP) 2000-001424
- Jan. 31, 2000 (JP) 2000-001425
- Jan. 31, 2000 (JP) 2000-001426
- Jan. 31, 2000 (JP) 2000-001427
- Jan. 31, 2000 (JP) 2000-001428
- Jan. 31, 2000 (JP) 2000-001429
- Jan. 31, 2000 (JP) 2000-001419

- (51) **LOC (7) Cl.** **21-01**
- (52) **U.S. Cl.** **D21/324**
- (58) **Field of Search** D21/324-333;
D14/496, 400, 435; 273/148 B; 463/1,
29-35, 46, 47, 43, 44, 45

(56) **References Cited**

U.S. PATENT DOCUMENTS

D275,971 S 10/1984 Yokoi

* cited by examiner

Primary Examiner—Prabhakar Deshmukh
(74) *Attorney, Agent, or Firm*—Nixon & Vanderhye P.C.

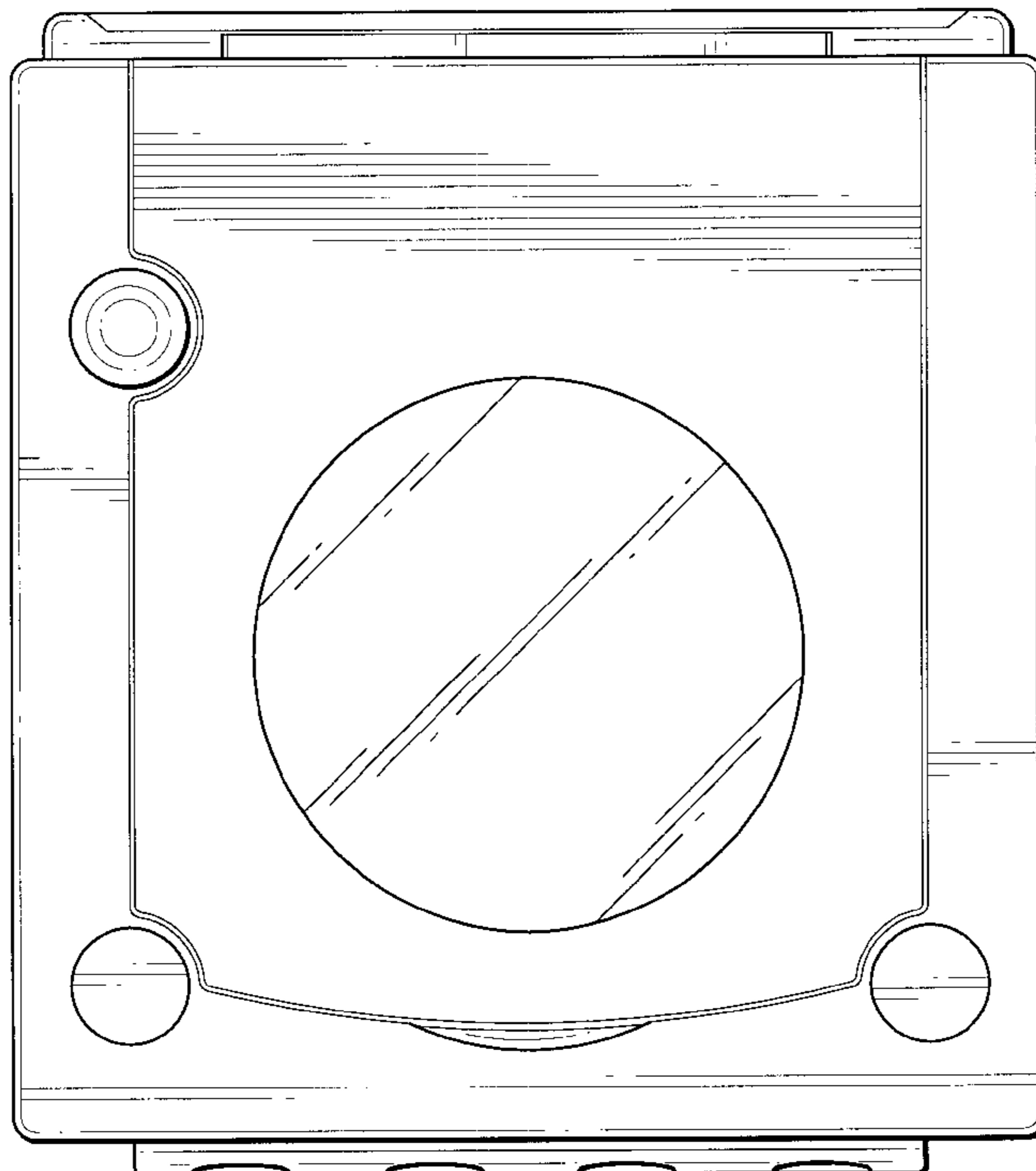
(57) **CLAIM**

The ornamental design for a video game machine, as shown and described.

DESCRIPTION

FIG. 1 is a top plan view of a video game machine showing my new design;
FIG. 2 is a front elevational view thereof;
FIG. 3 is a bottom plan view thereof;
FIG. 4 is a rear elevational view thereof;
FIG. 5 is a right side view thereof; and,
FIG. 6 is a left side view thereof.

1 Claim, 4 Drawing Sheets



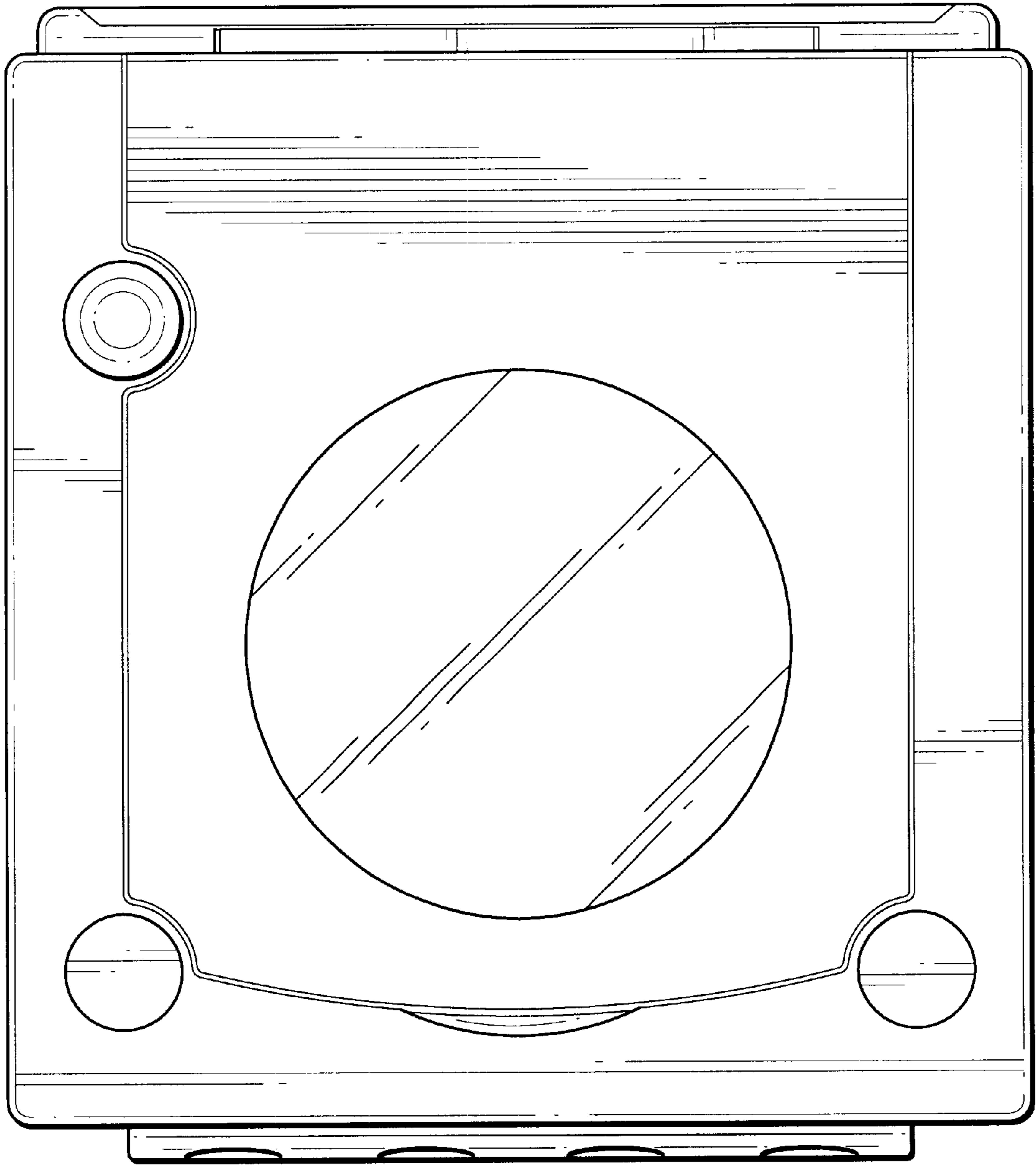


Fig. 1

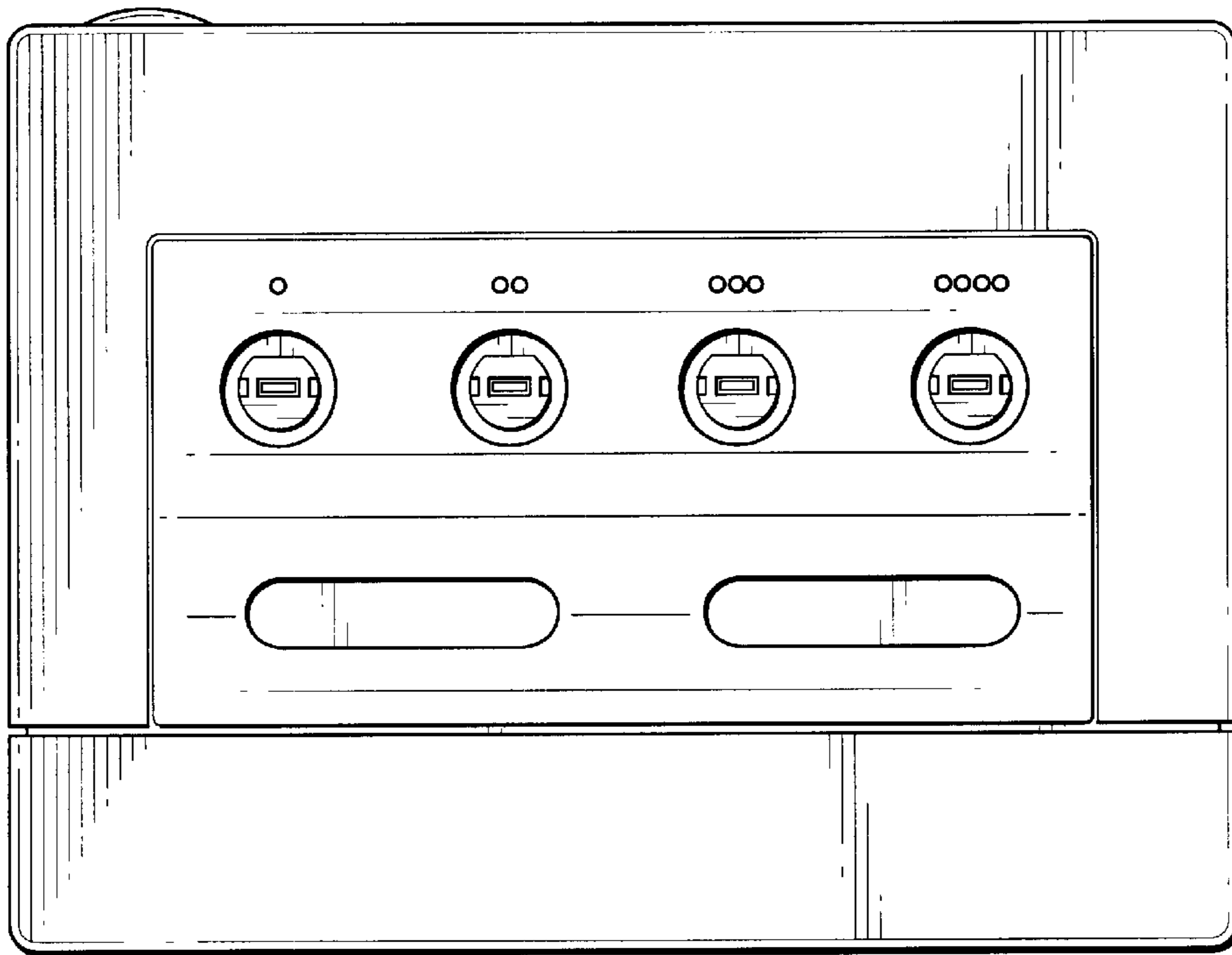


Fig. 2

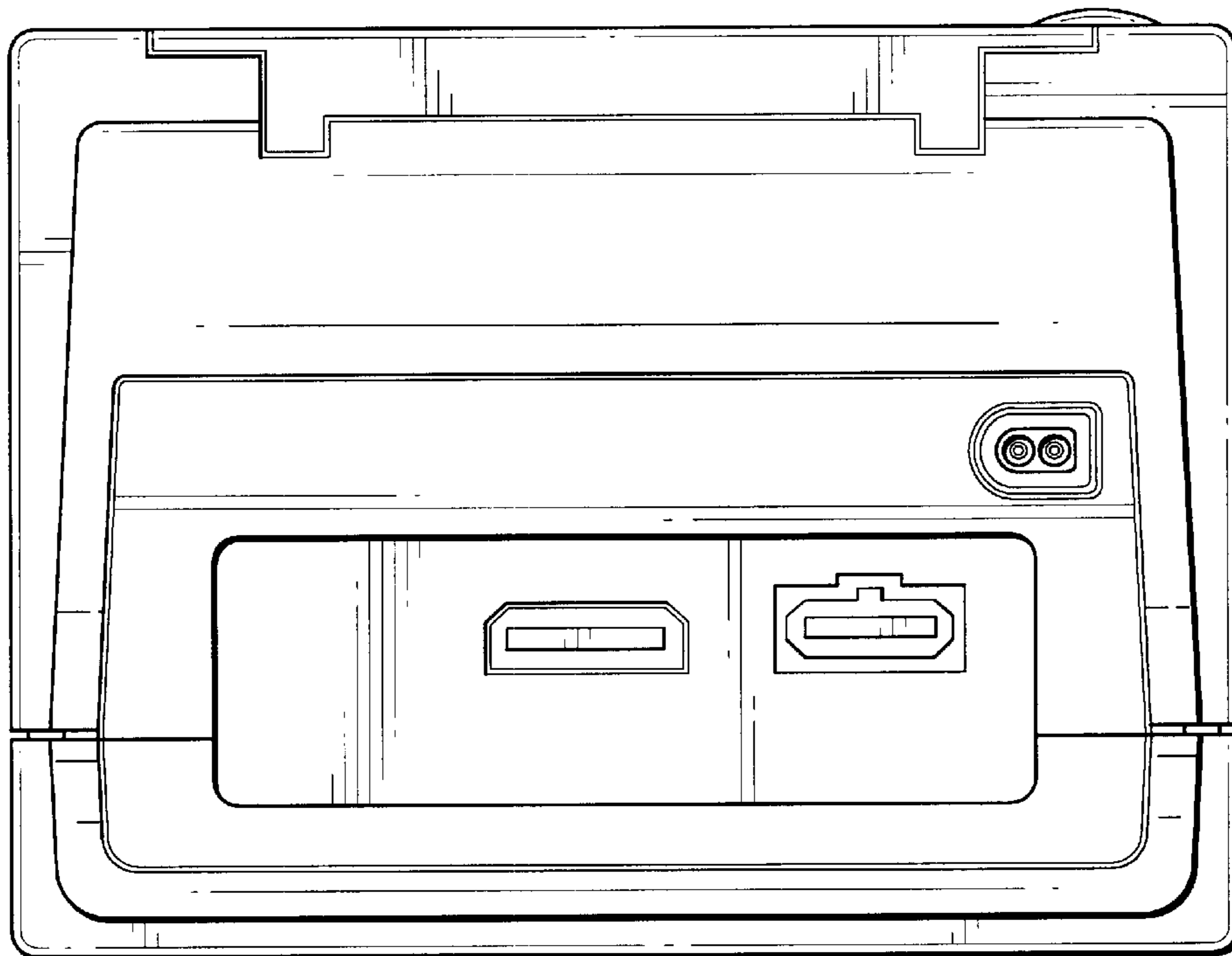


Fig. 4

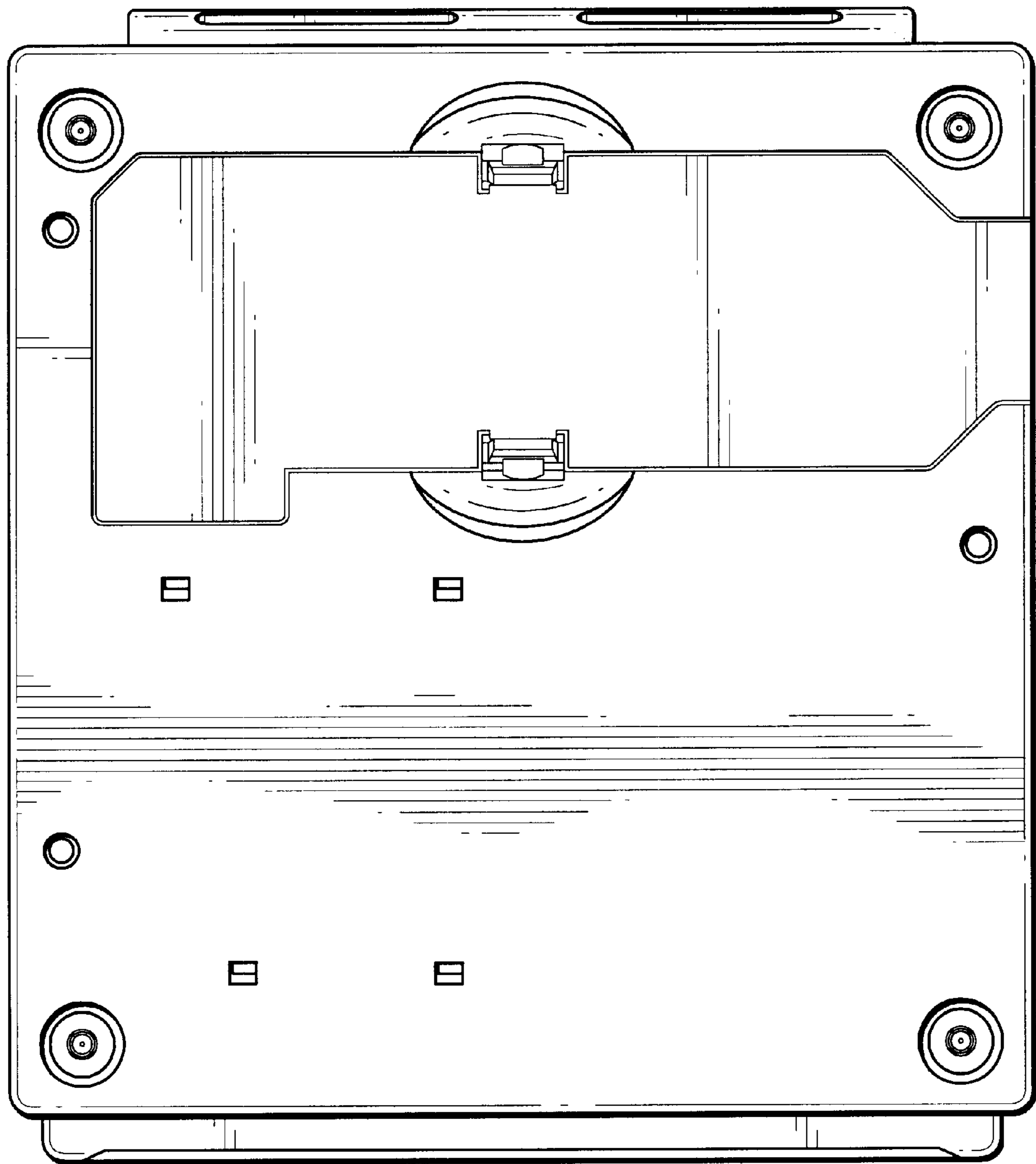


Fig. 3

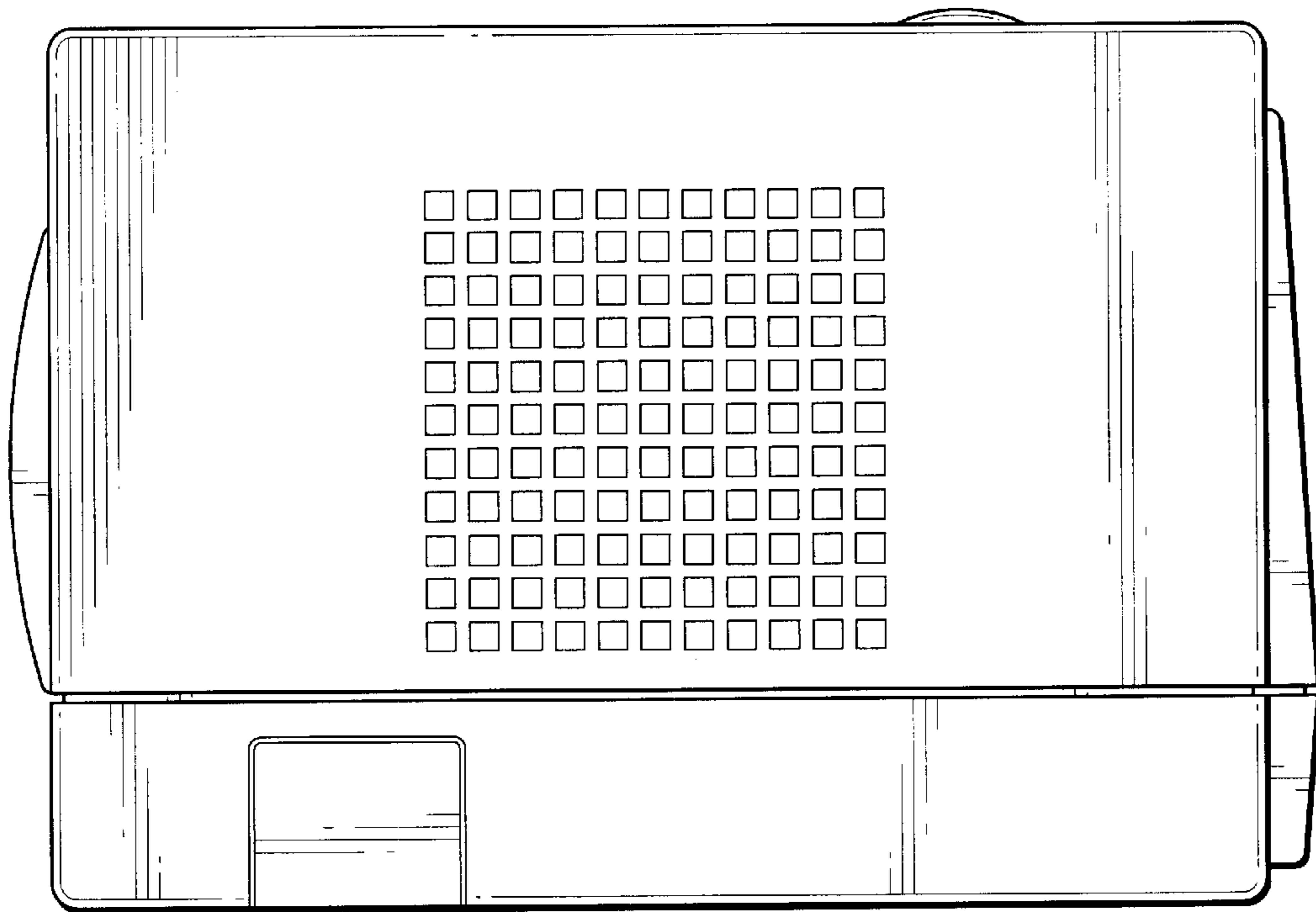


Fig. 5

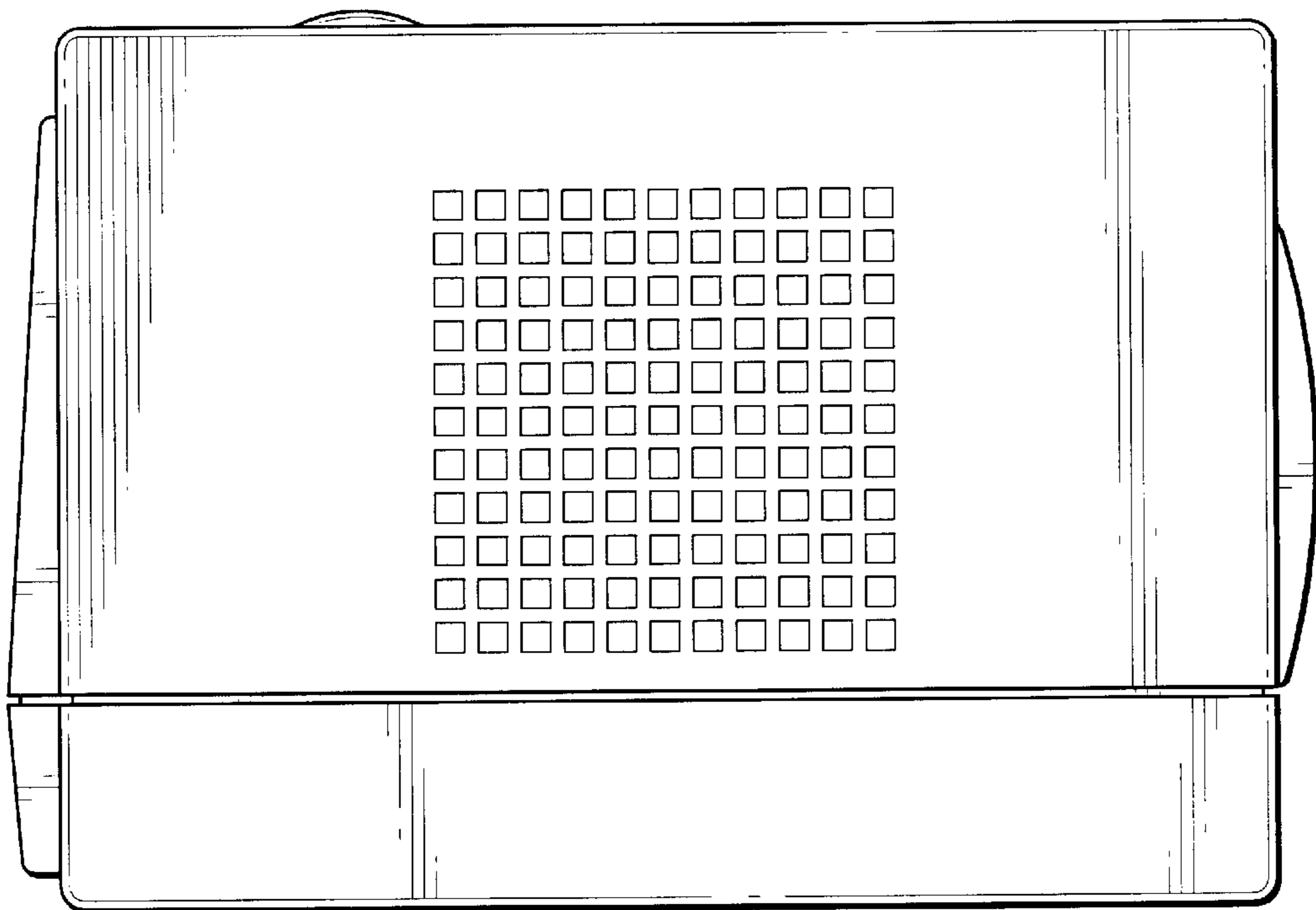


Fig. 6