



US00D454373S

(12) **United States Design Patent**
Kosir

(10) **Patent No.:** **US D454,373 S**

(45) **Date of Patent:** **** Mar. 12, 2002**

(54) **CLIP ON SIGN HOLDER**

(75) **Inventor:** **Joseph P. Kosir**, Euclid, OH (US)

(73) **Assignee:** **Fasteners For Retail, Inc.**, Cleveland, OH (US)

(**) **Term:** **14 Years**

(21) **Appl. No.:** **29/138,982**

(22) **Filed:** **Mar. 22, 2001**

(51) **LOC (7) Cl.** **20-02**

(52) **U.S. Cl.** **D20/44**

(58) **Field of Search** D20/10, 43, 44;
40/1.5, 360, 642.02, 646, 649, 651, 652,
653, 654.01, 661.06, 661.08, 658

(56) **References Cited**

U.S. PATENT DOCUMENTS

D245,066 S * 7/1977 Taub D20/44
4,557,064 A 12/1985 Thompson
D425,566 S * 5/2000 Mueller et al. D20/43

OTHER PUBLICATIONS

Fasteners for Retail brochure entitled "FFR Yellow Pages—
The World's Largest Resource For Display Accessories and
Custom Solutions", pp. 17, 38–40, 59, 73, 77–81, 87–89, 91,

93–94, 100–104, 106, 124, 163–165, 177–179 (Circa Mar. 2000).

* cited by examiner

Primary Examiner—Marcus A. Jackson
(74) *Attorney, Agent, or Firm*—Fay, Sharpe, Fagan,
Minnich & McKee, LLP

(57) **CLAIM**

The ornamental design for a clip on sign holder, as shown and described.

DESCRIPTION

FIG. 1 is a perspective view of a clip on sign holder showing my new design;

FIG. 2 is a left end elevational view thereof;

FIG. 3 is a bottom plan view thereof;

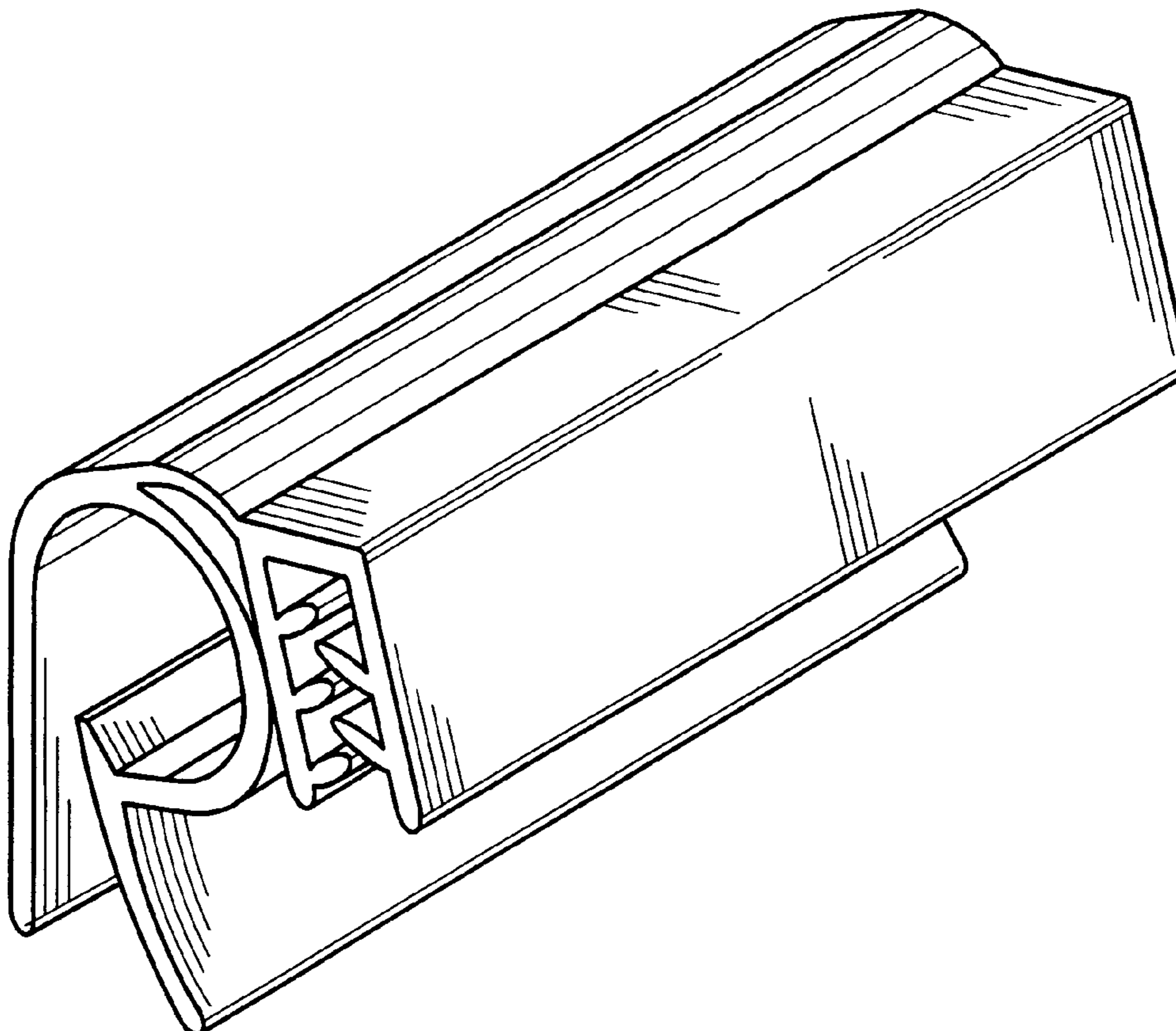
FIG. 4 is a top plan view thereof;

FIG. 5 is a front elevational view thereof;

FIG. 6 is a right end elevational view thereof; and,

FIG. 7 is a rear elevational view thereof.

1 Claim, 2 Drawing Sheets



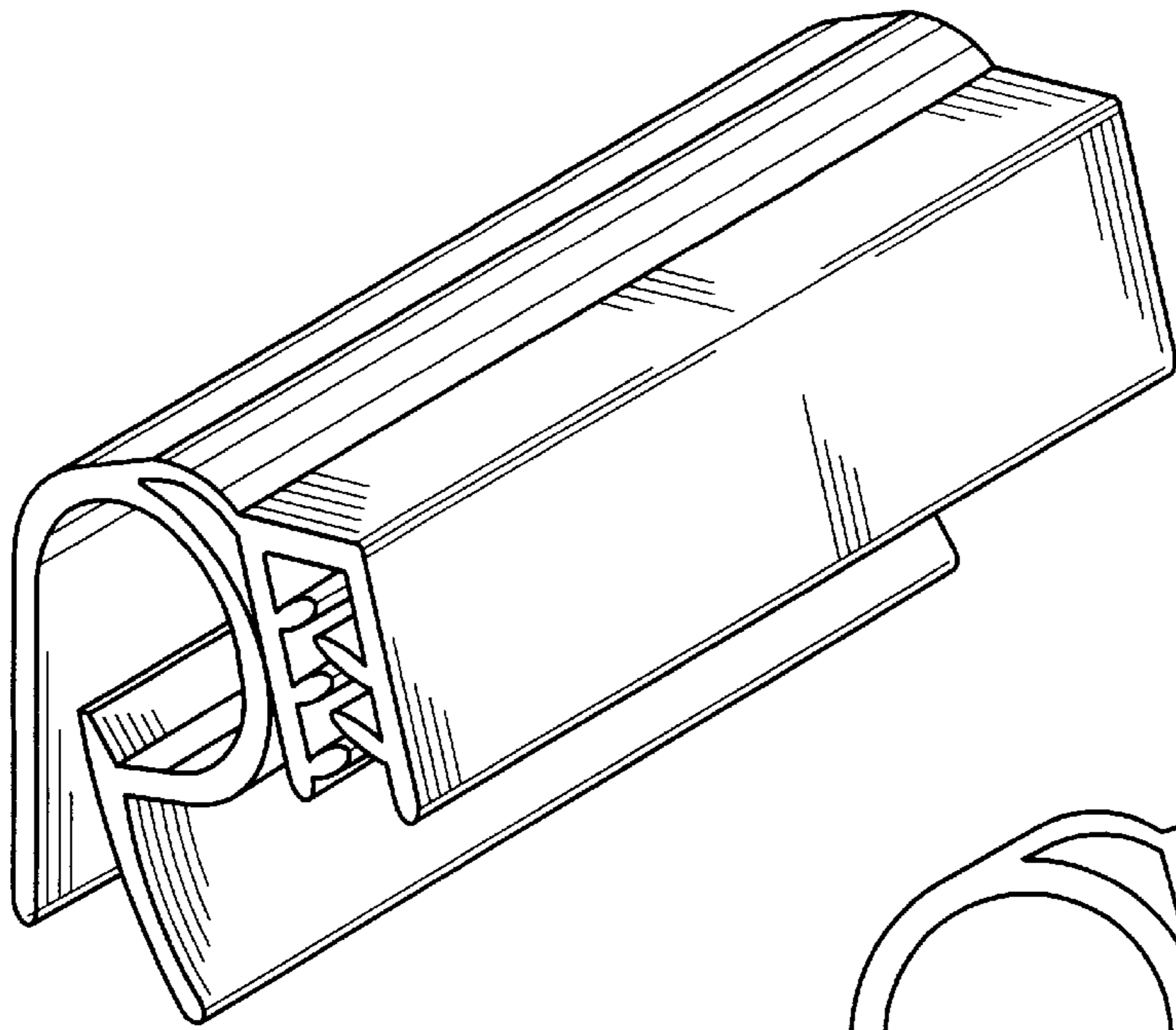


FIG. 1

FIG. 2

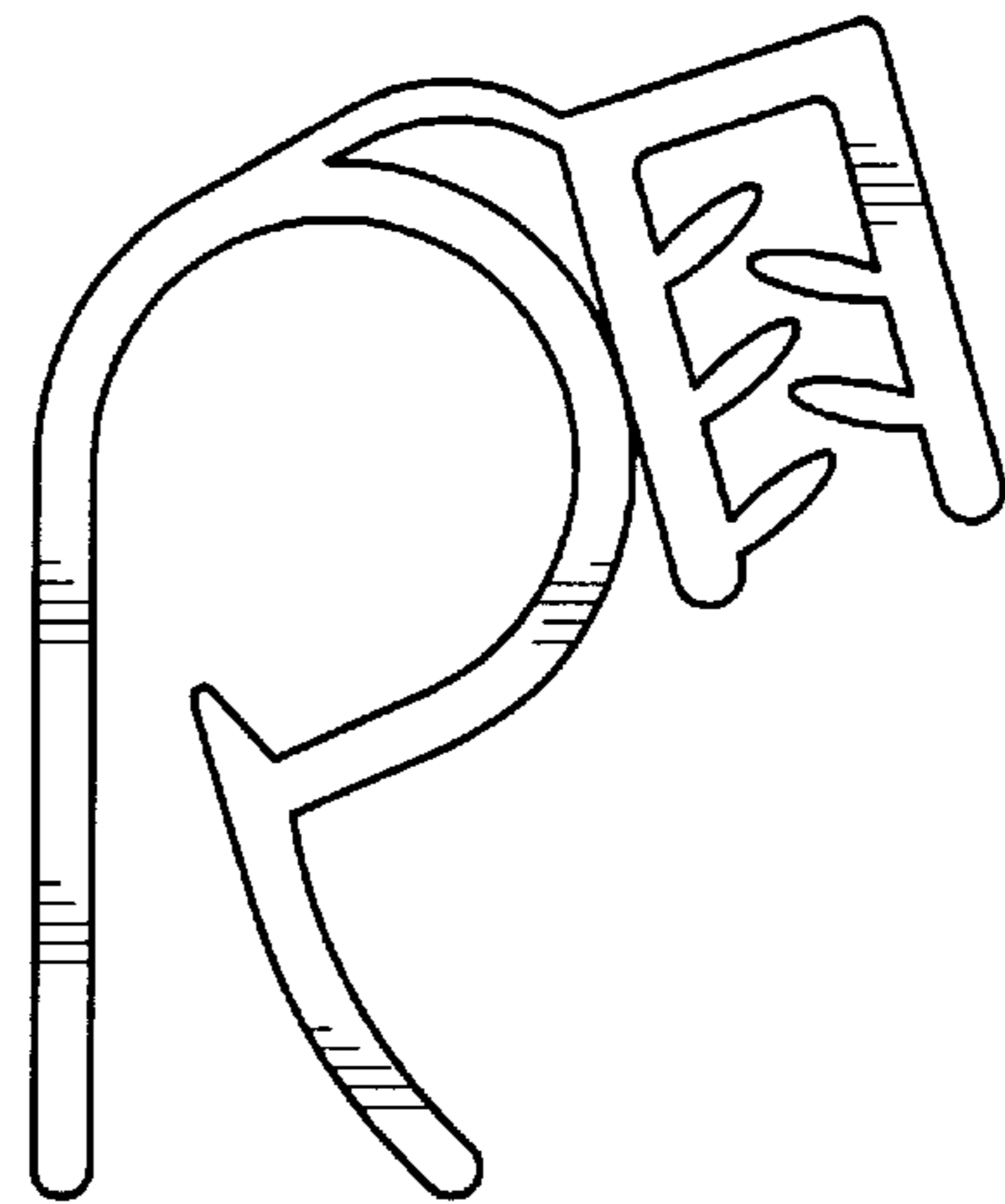


FIG. 3

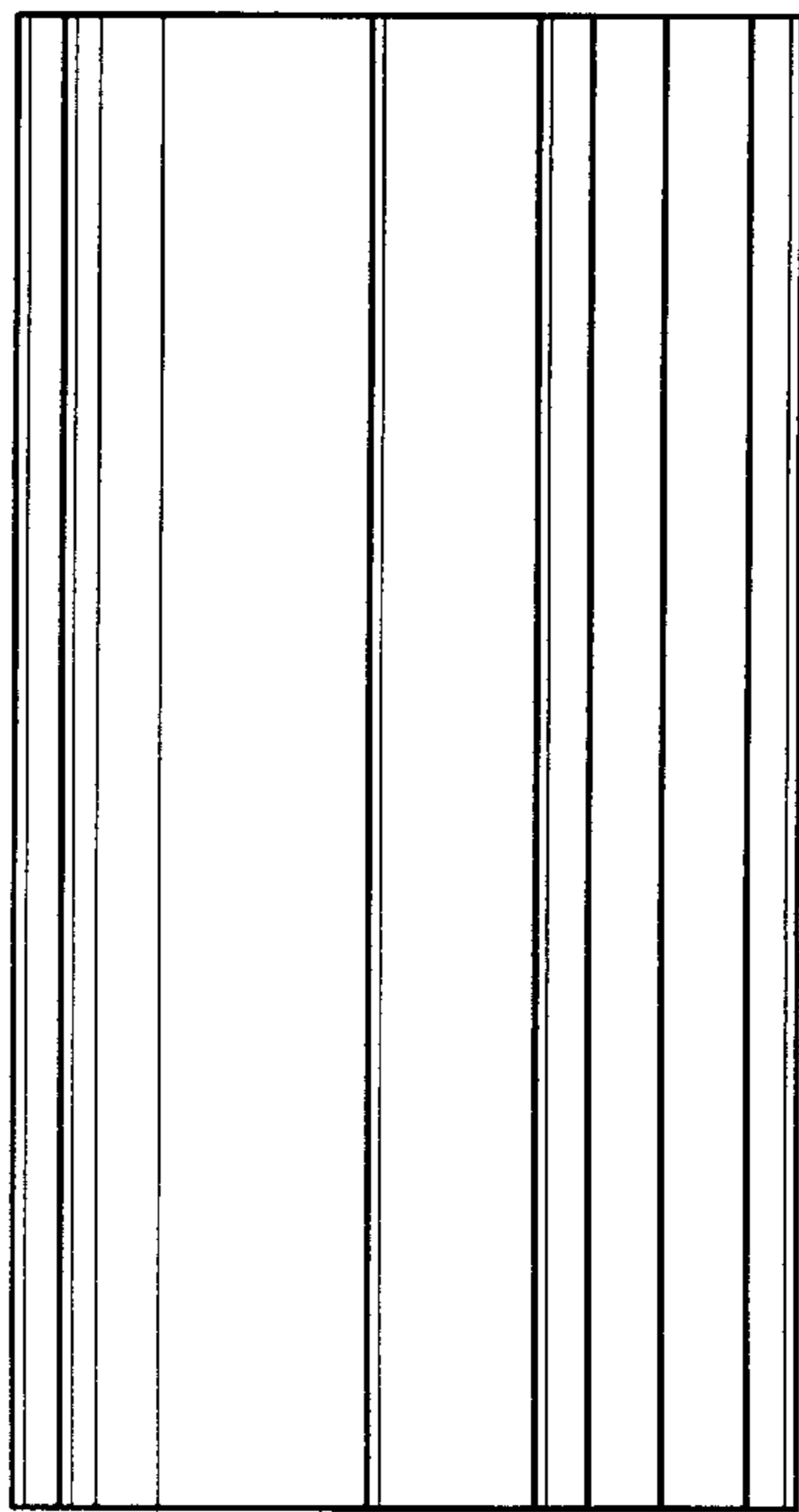


FIG. 4

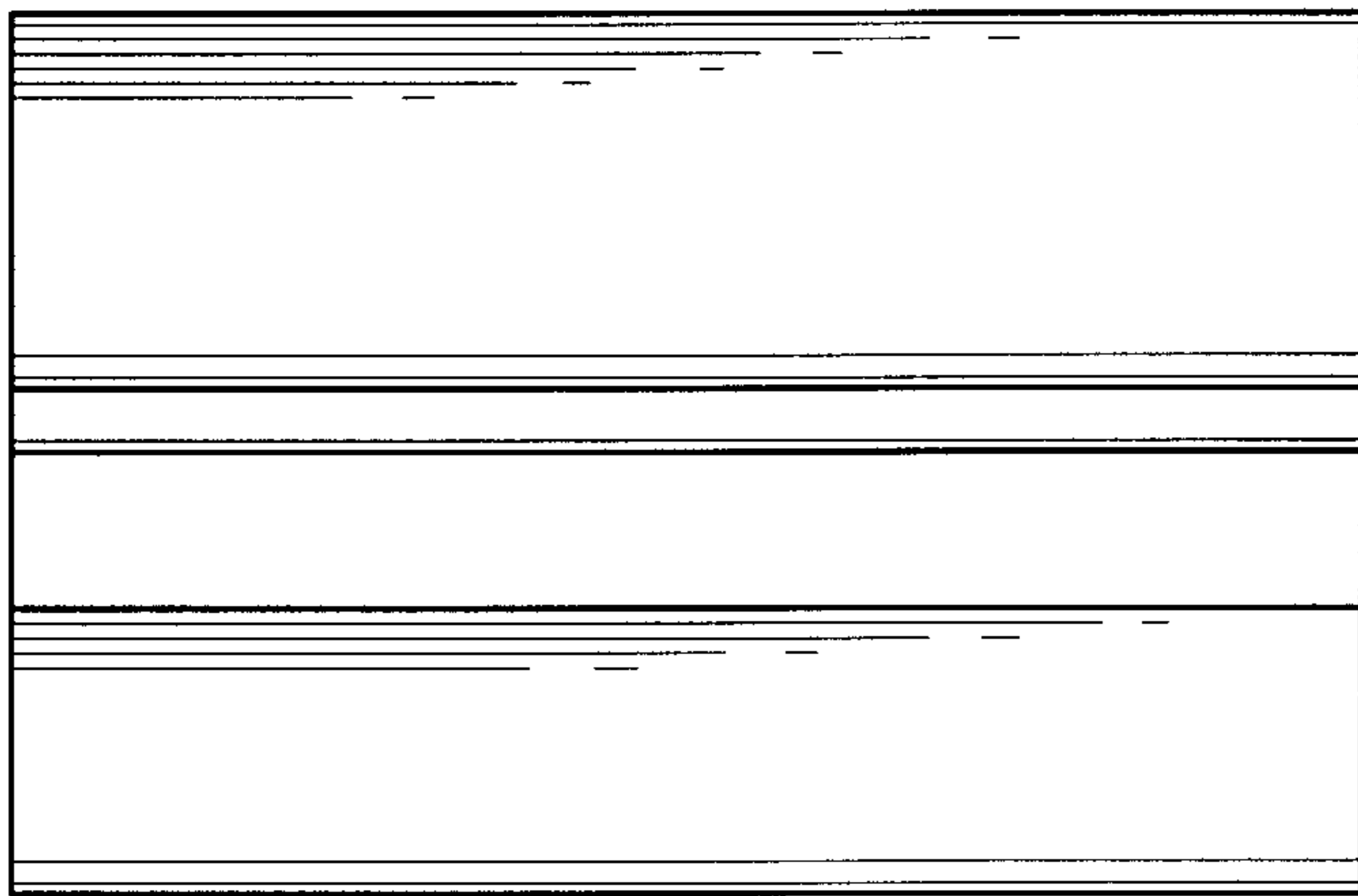
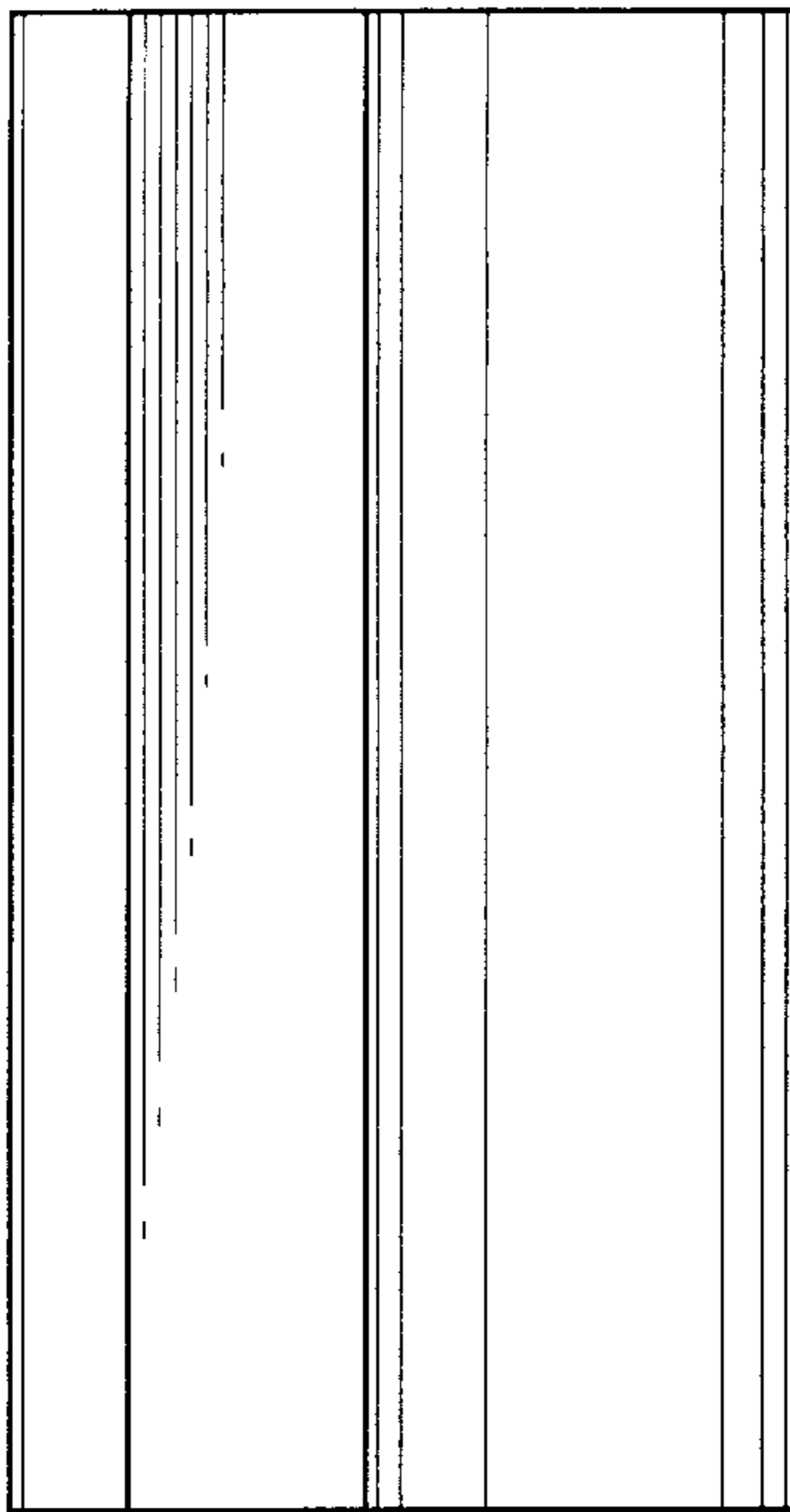


FIG. 5

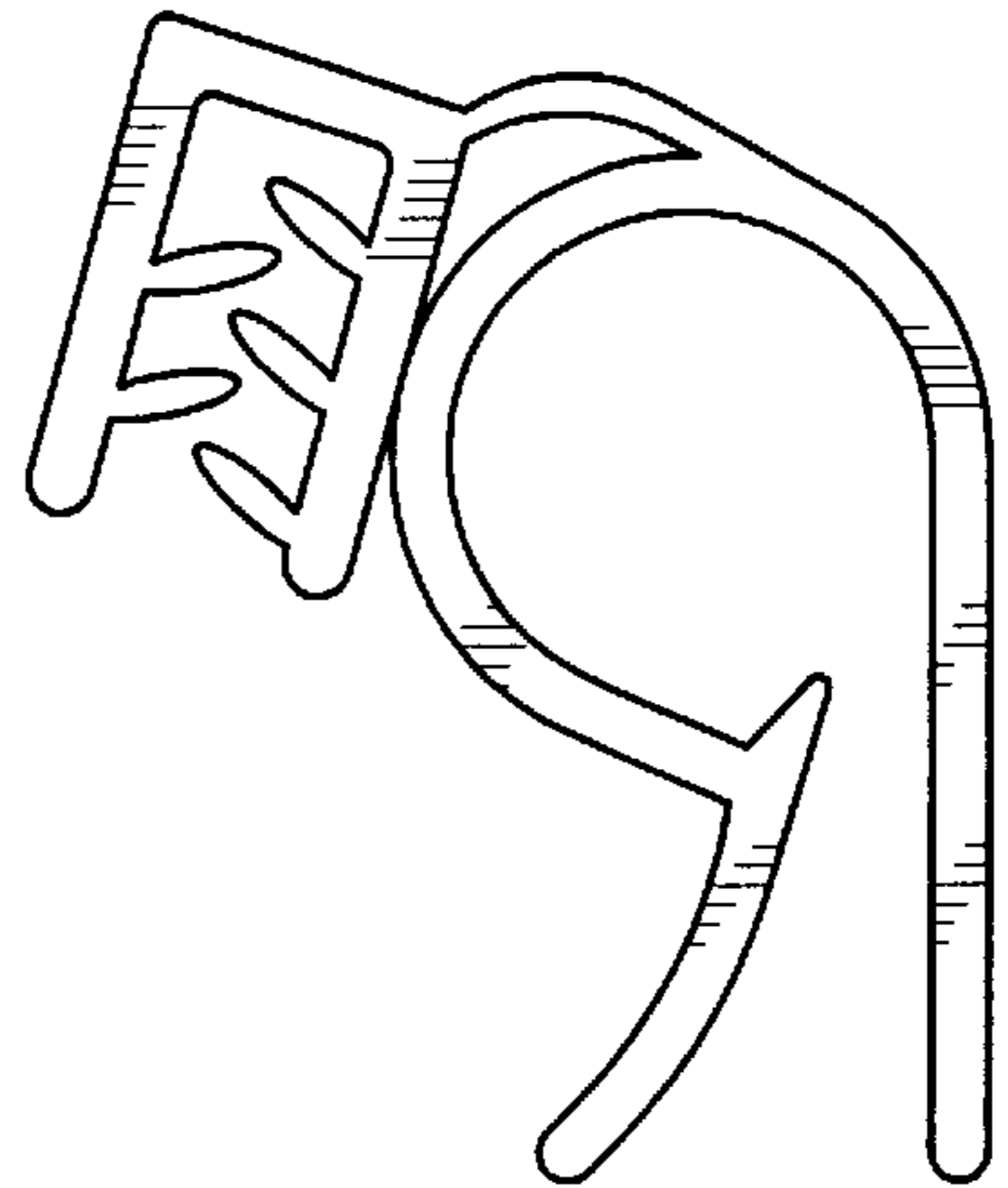


FIG. 6

FIG. 7

