

US00D454370S

(12) **United States Design Patent**  
**Solomon**

(10) **Patent No.:** **US D454,370 S**

(45) **Date of Patent:** **\*\* Mar. 12, 2002**

(54) **STORAGE RACK**

(75) **Inventor:** **Peter Solomon, Milan (IT)**

(73) **Assignee:** **Sunhing Millennium Limited,**  
**Kowloon (HK)**

(\*\*) **Term:** **14 Years**

(21) **Appl. No.:** **29/140,243**

(22) **Filed:** **Apr. 13, 2001**

(30) **Foreign Application Priority Data**

Oct. 17, 2000 (HK) ..... 0011494

(51) **LOC (7) Cl.** ..... **19-02**

(52) **U.S. Cl.** ..... **D19/90**

(58) **Field of Search** ..... D19/52, 65, 75,  
D19/78, 86, 88, 90, 91, 92, 95, 100; 40/642.02;  
28/441.1, 441.2, 445, 450, 451, 452, 453,  
460, 469, 473, 910; 281/44; D18/27; D8/104;  
211/11, 41.1

(56) **References Cited**

**U.S. PATENT DOCUMENTS**

D358,602 S \* 5/1995 Bilson ..... D19/86

D405,339 S \* 2/1999 Kleefman ..... D19/65  
D408,059 S \* 4/1999 Marnix ..... D19/96  
D423,053 S \* 4/2000 Lefkowitz ..... D19/65  
D435,778 S \* 1/2001 Chen ..... D19/65  
D436,826 S \* 1/2001 Weinstock ..... D19/65

\* cited by examiner

*Primary Examiner*—Doris V. Coles

*Assistant Examiner*—Elizabeth A. Albert

(74) *Attorney, Agent, or Firm*—Marguerite Del Valle

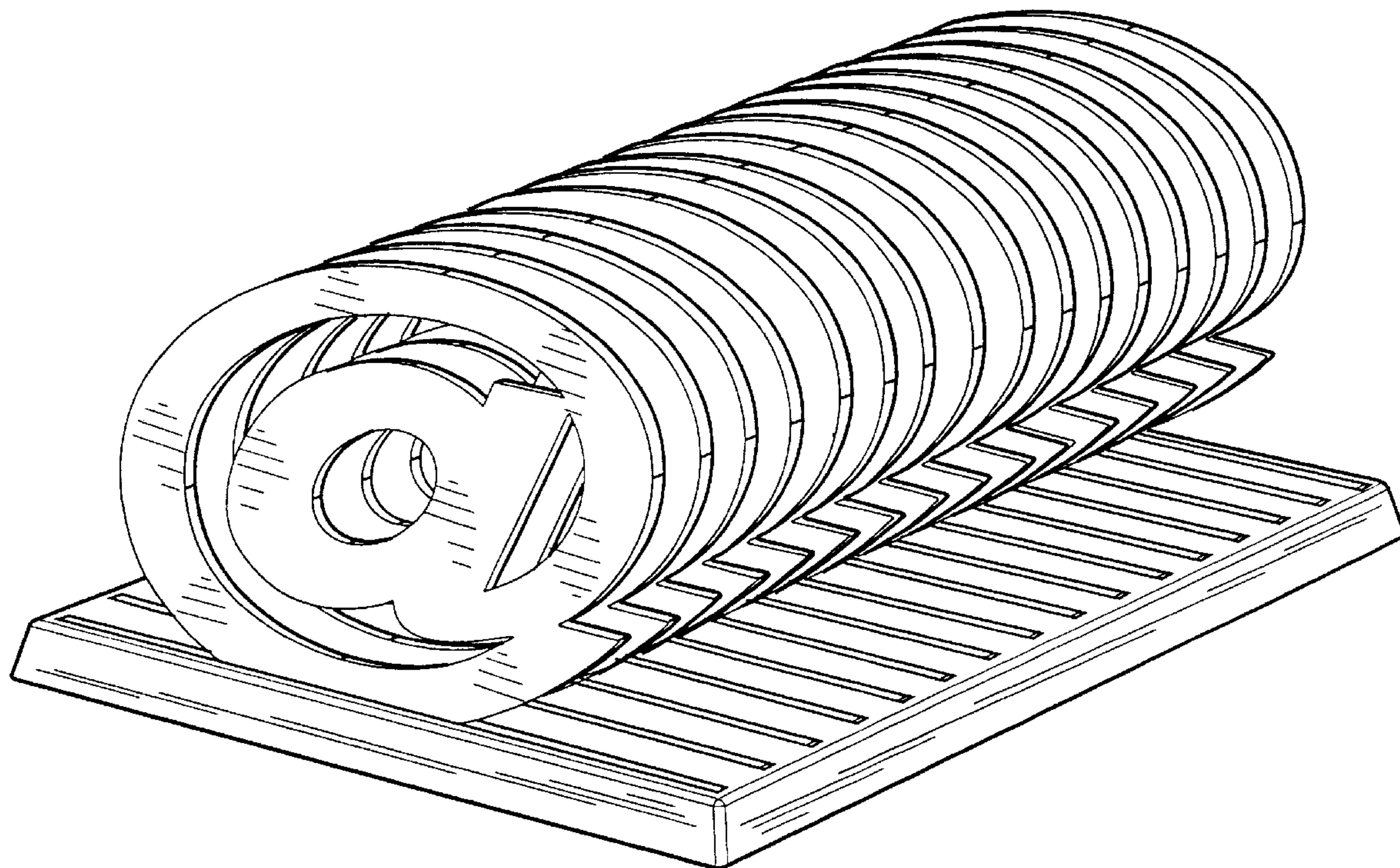
(57) **CLAIM**

I claim the ornamental design for a storage rack, as shown and described.

**DESCRIPTION**

FIG. 1 is a front view of the new ornamental storage rack of the present invention;  
FIG. 2 is a back view thereof;  
FIG. 3 is a left side view thereof;  
FIG. 4 is a right side view thereof;  
FIG. 5 is a top view thereof;  
FIG. 6 is a bottom view thereof;  
FIG. 7 is a front right perspective view thereof; and,  
FIG. 8 is a left back perspective view thereof.

**1 Claim, 6 Drawing Sheets**



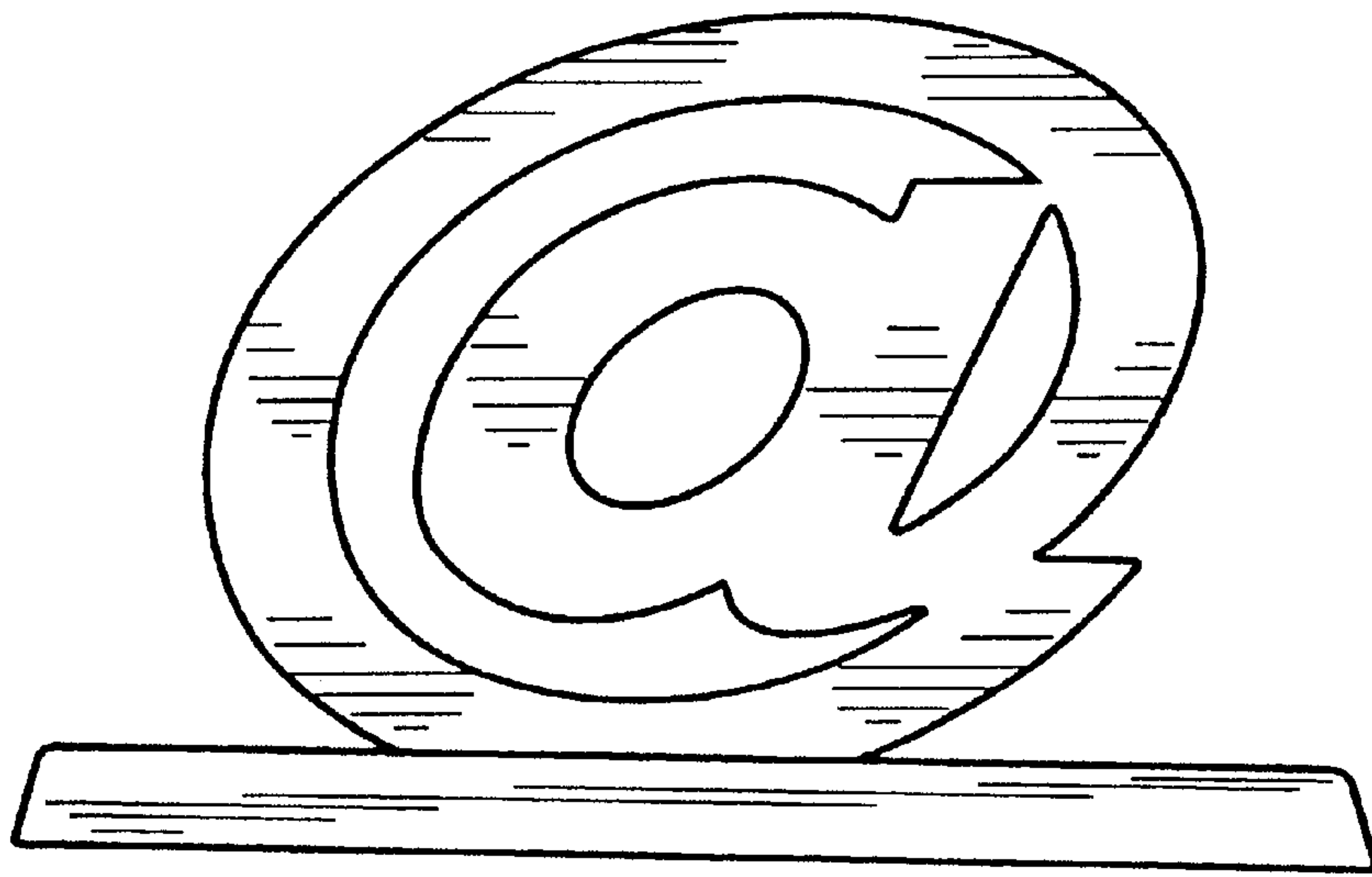


Figure 1

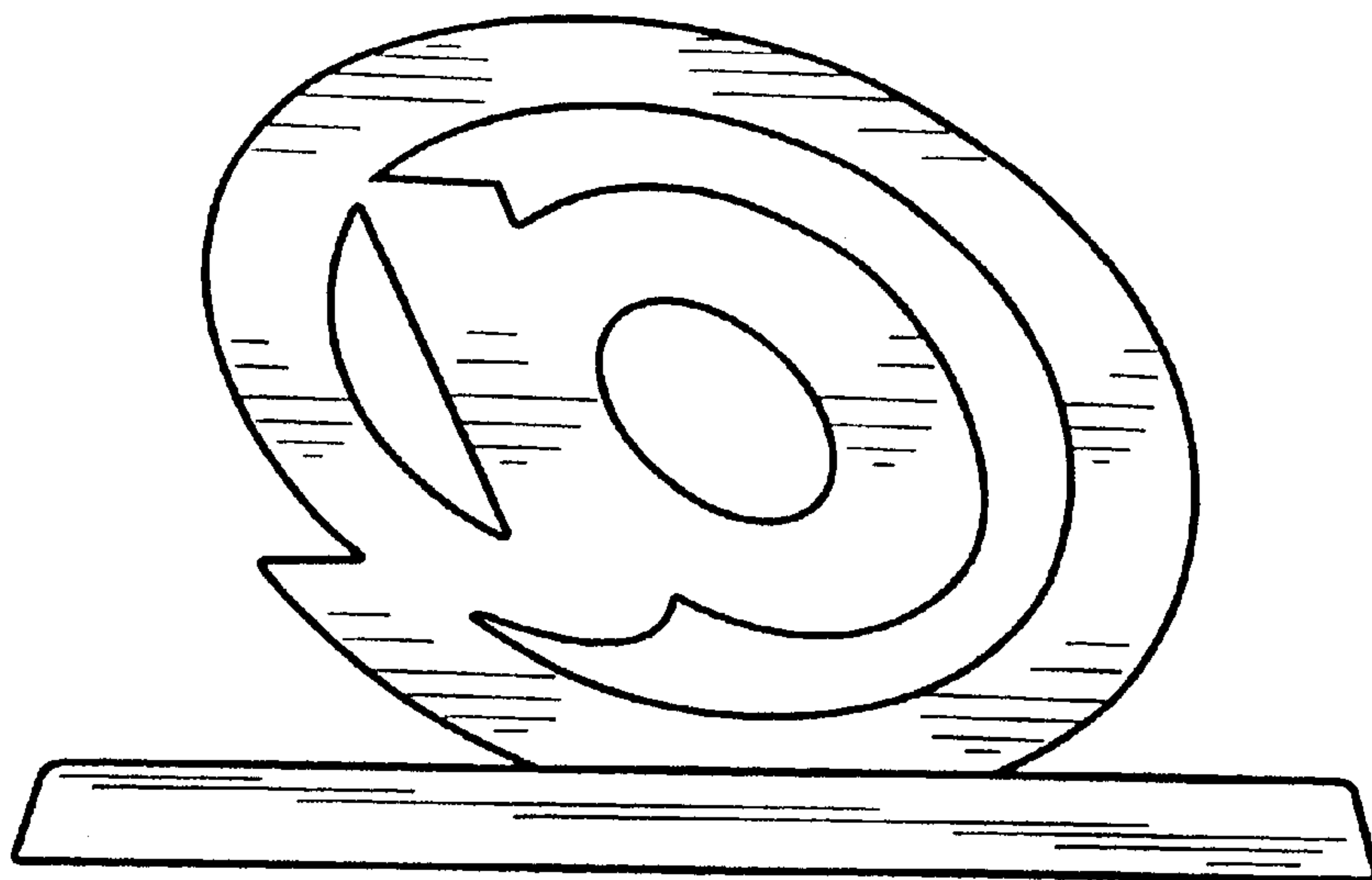


Figure 2

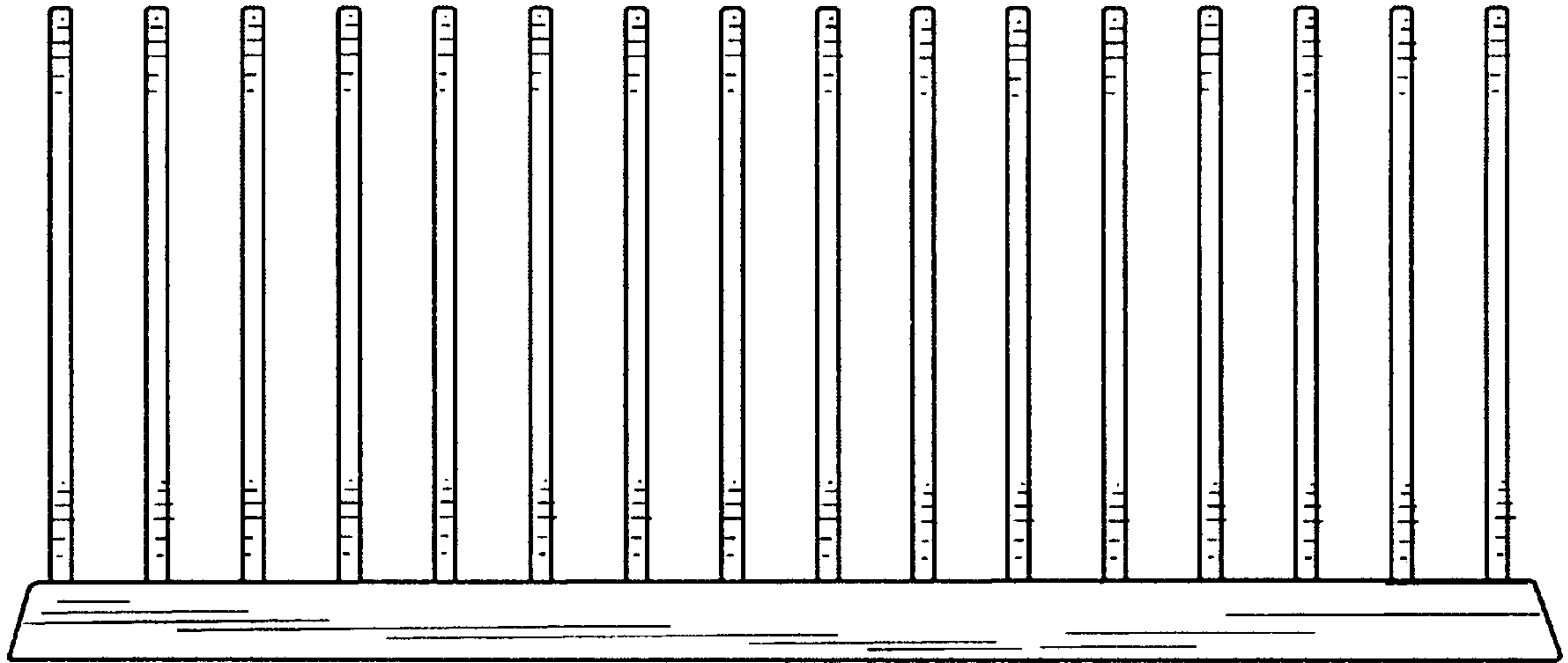


Figure 3

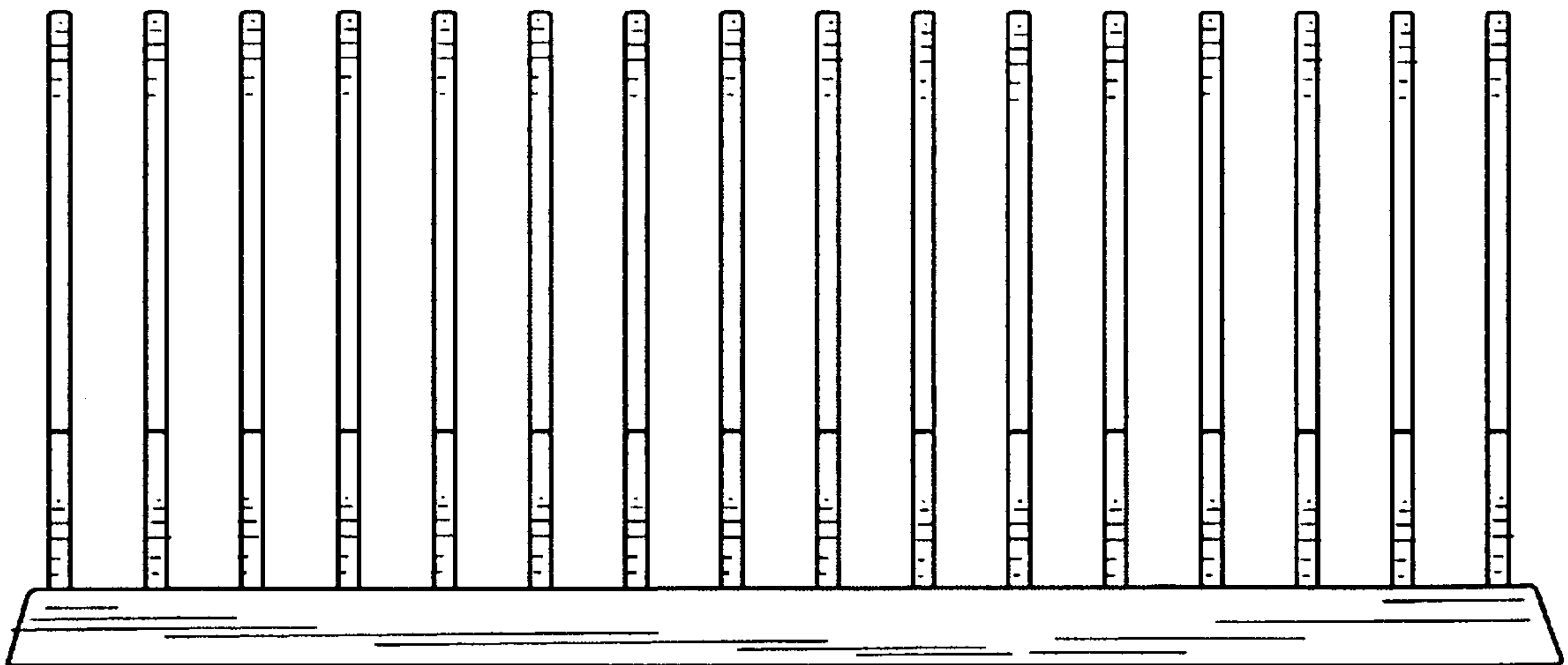
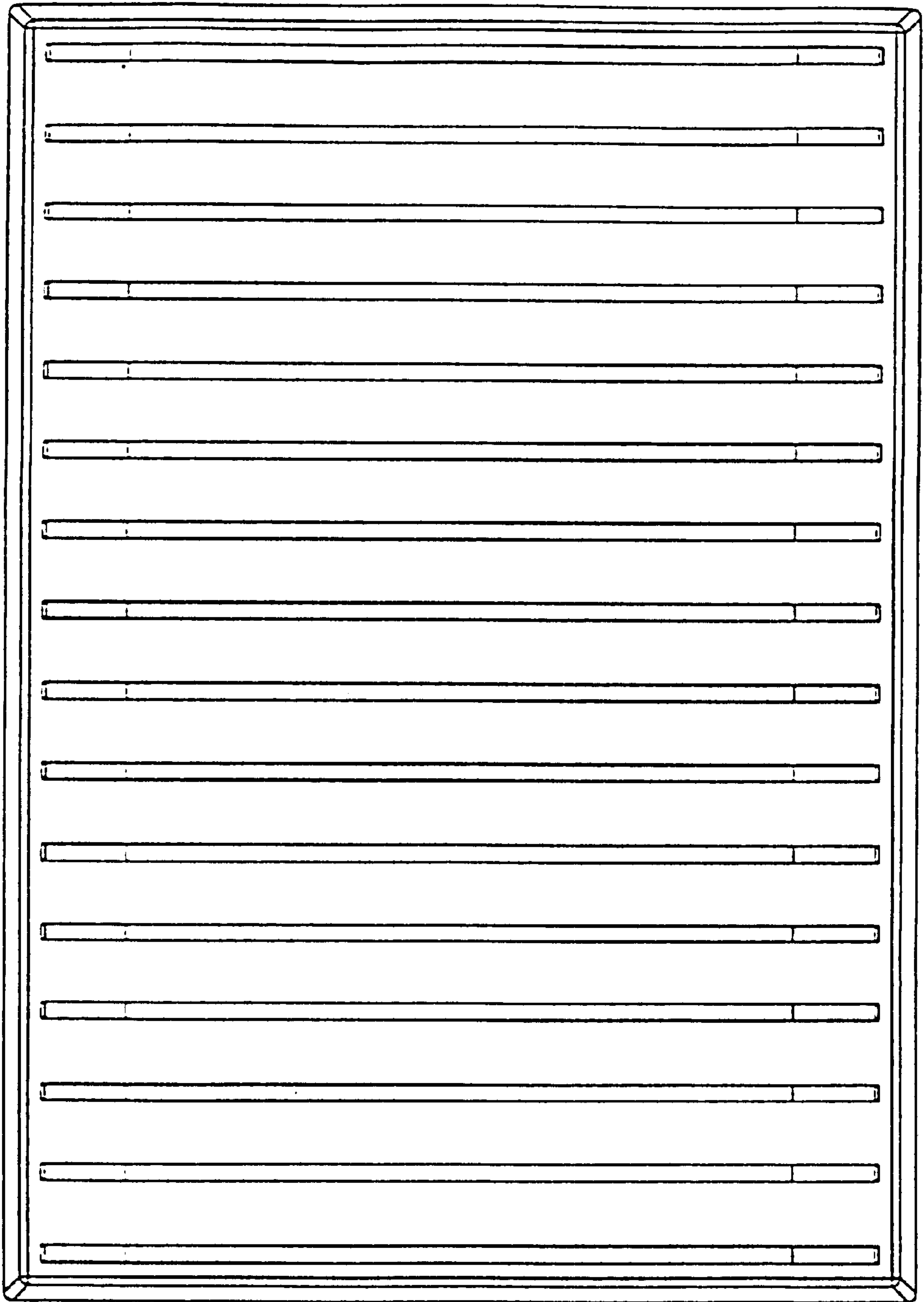


Figure 4

**Fig. 5**





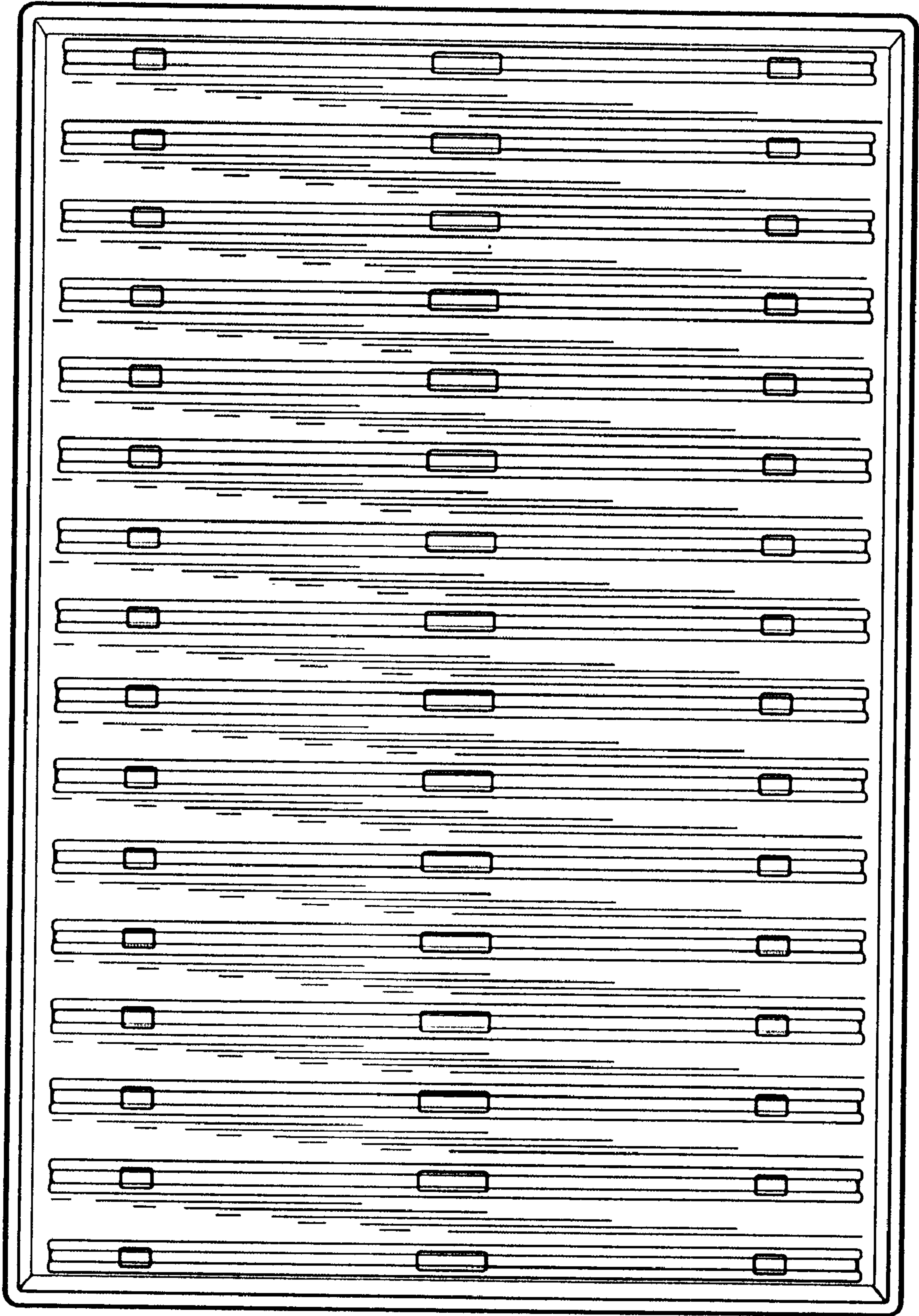


Figure 6

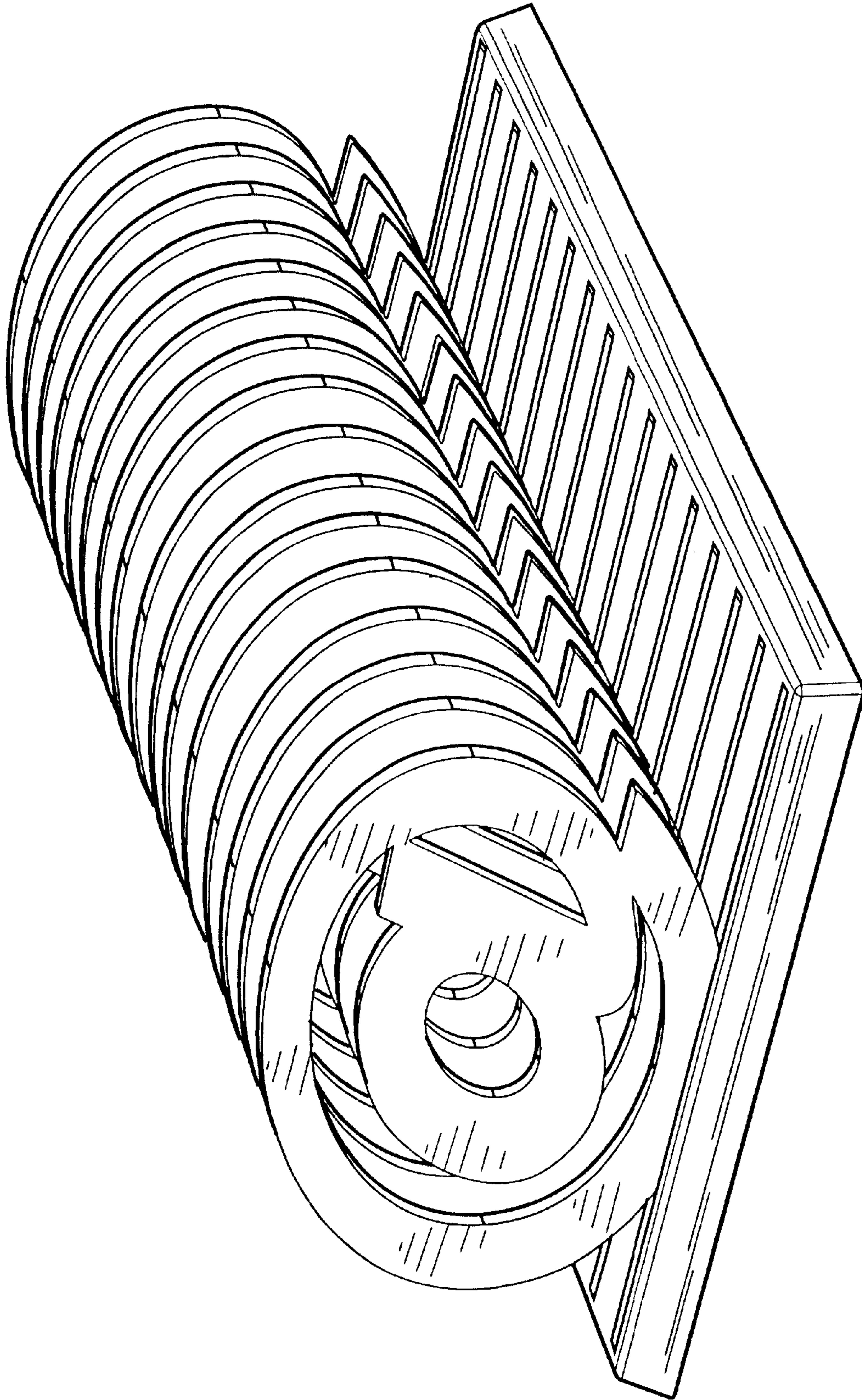


Figure 7



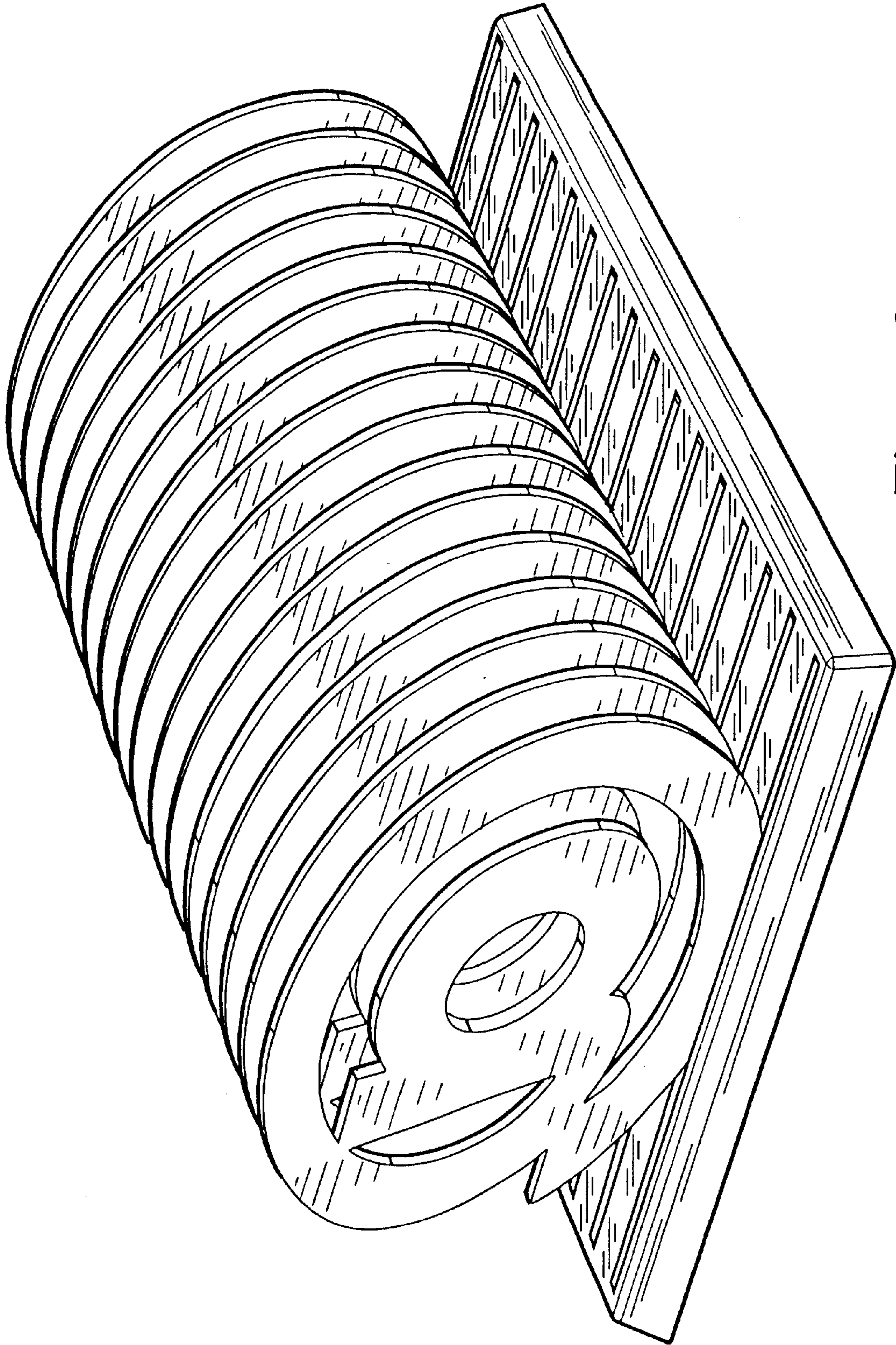


Figure 8