



US00D454369S

(12) **United States Design Patent**
Milliorn

(10) **Patent No.:** **US D454,369 S**

(45) **Date of Patent:** **** Mar. 12, 2002**

(54) **LABEL DISPENSER**

(75) **Inventor:** **J. Michael Milliorn**, Fort Worth, TX
(US)

(73) **Assignee:** **Daydots International, Inc.**, Fort
Worth, TX (US)

(**) **Term:** **14 Years**

(21) **Appl. No.:** **29/144,552**

(22) **Filed:** **Jul. 5, 2001**

(51) **LOC (7) Cl.** **19-02**

(52) **U.S. Cl.** **D19/69; D19/67; D19/89**

(58) **Field of Search** D19/65, 66, 67,
D19/68, 69, 89, 72, 99, 100; 225/6, 7, 12,
19, 22, 25, 34, 35, 46, 45, 56, 57, 74, 77,
89, 11; 242/588, 588.1, 588.6, 590; 156/327,
523, 527, 577; 221/73, 305; 206/226, 394,
459.5

(56) **References Cited**

U.S. PATENT DOCUMENTS

810,791 A	*	1/1906	McCourt	225/38
D183,867 S	*	11/1958	Wagner	D19/69
3,537,933 A	*	11/1970	Severance	221/73 X
3,547,327 A	*	12/1970	Mariani	225/38
3,987,897 A	*	10/1976	Smith	206/226
D270,648 S	*	9/1983	Mayo	D19/67

D270,738 S	*	9/1983	Mayo	D19/67
5,484,082 A	*	1/1996	Casper et al.	221/305
5,570,809 A	*	11/1996	Martin	221/73

* cited by examiner

Primary Examiner—Martie K. Holtje

(74) *Attorney, Agent, or Firm*—Fulbright & Jaworski L.L.P.

(57) **CLAIM**

The ornamental design for a label dispenser, as shown and described.

DESCRIPTION

FIG. 1 is a plan view of the top of the ornamental design of a label dispenser;

FIG. 2 is a plan view of the bottom of the label dispenser of FIG. 1;

FIG. 3 is an elevational view of the rear of the label dispenser of FIG. 1;

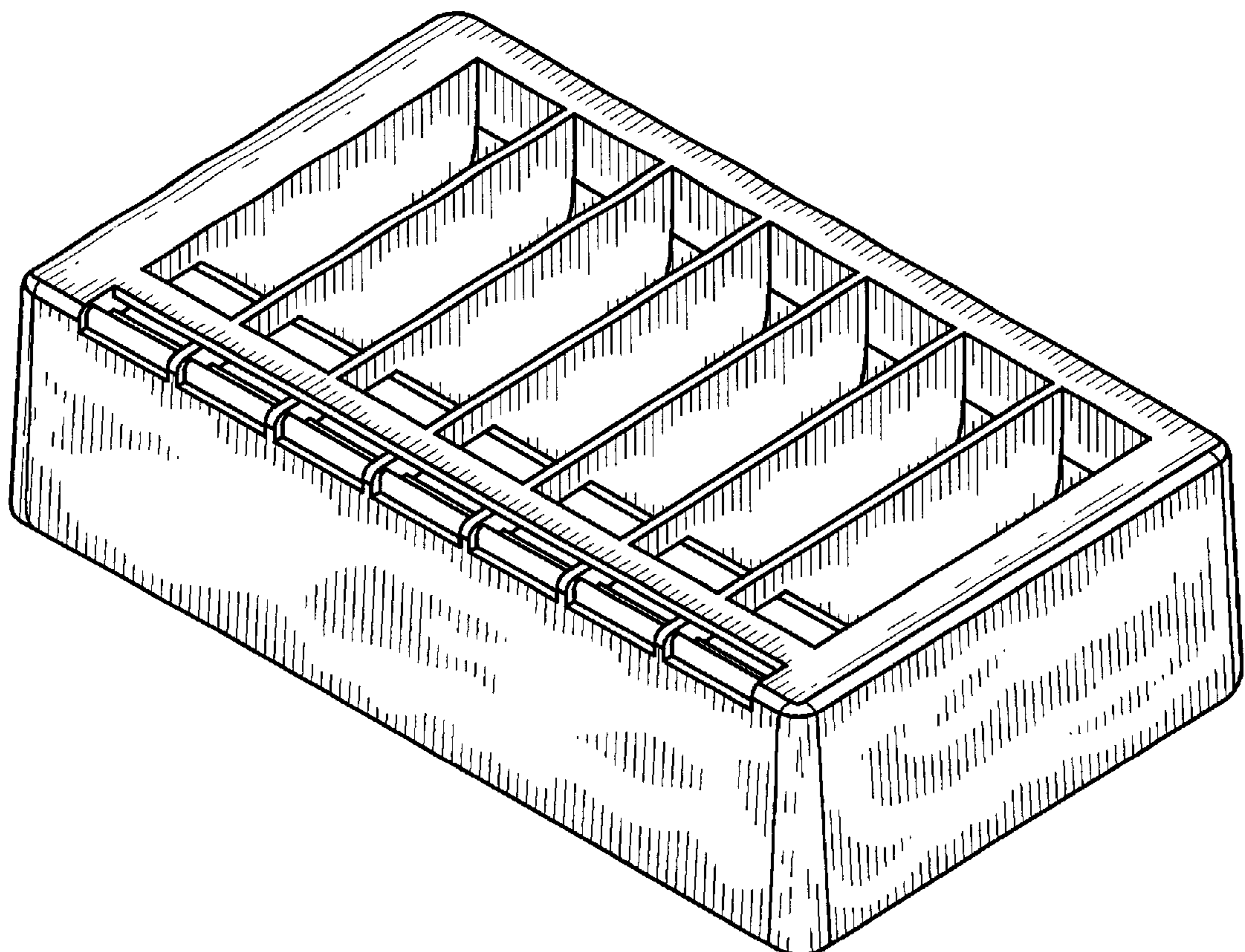
FIG. 4 is an elevational view of the front side of the label dispenser of FIG. 1;

FIG. 5 is an elevational view of the side of the label dispenser of FIG. 1 the opposite side being identical thereto;

FIG. 6 is a perspective view of the top of the label dispenser of FIG. 1; and,

FIG. 7 is a perspective view of the bottom of the label dispenser of FIG. 1.

1 Claim, 2 Drawing Sheets



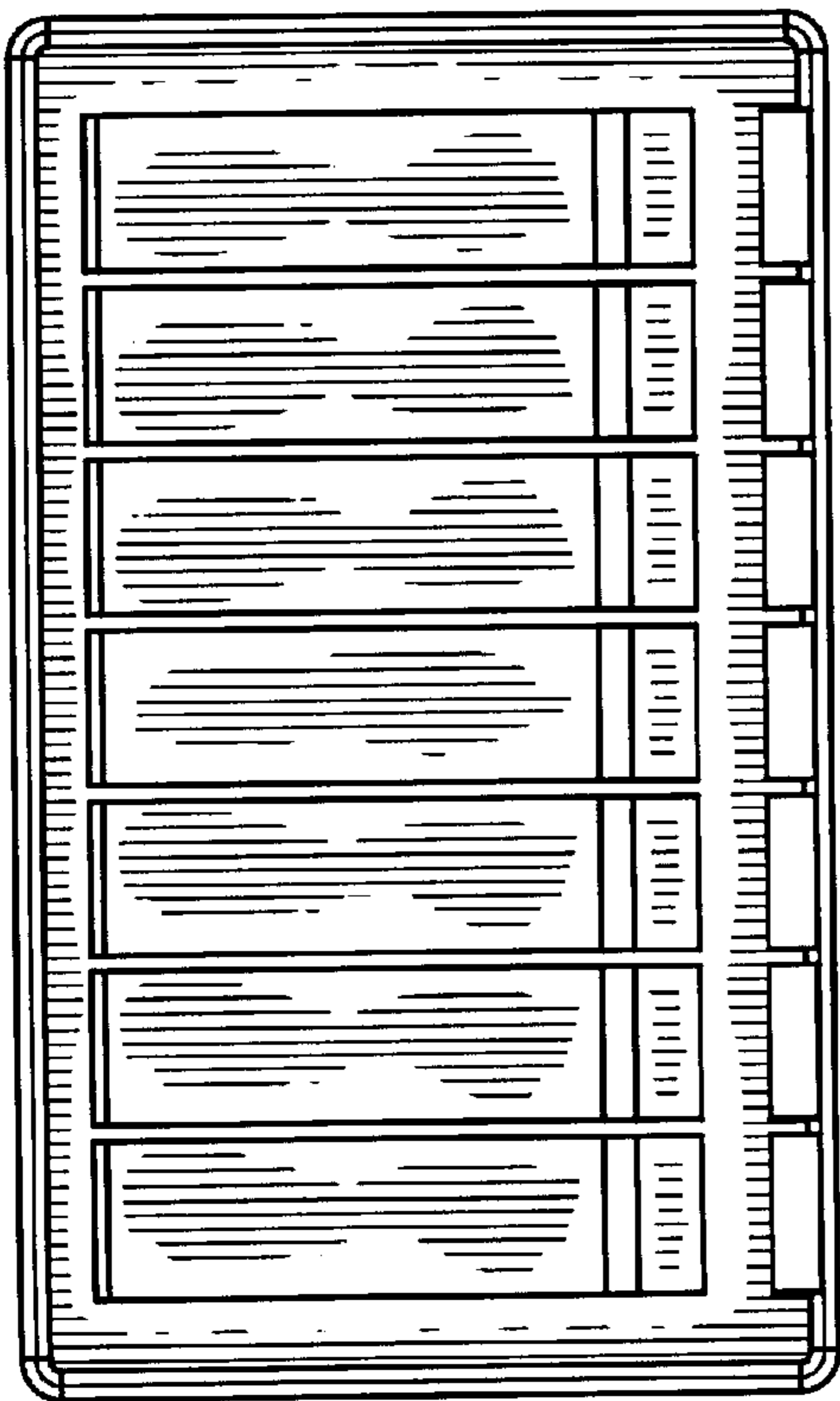


FIG. 1

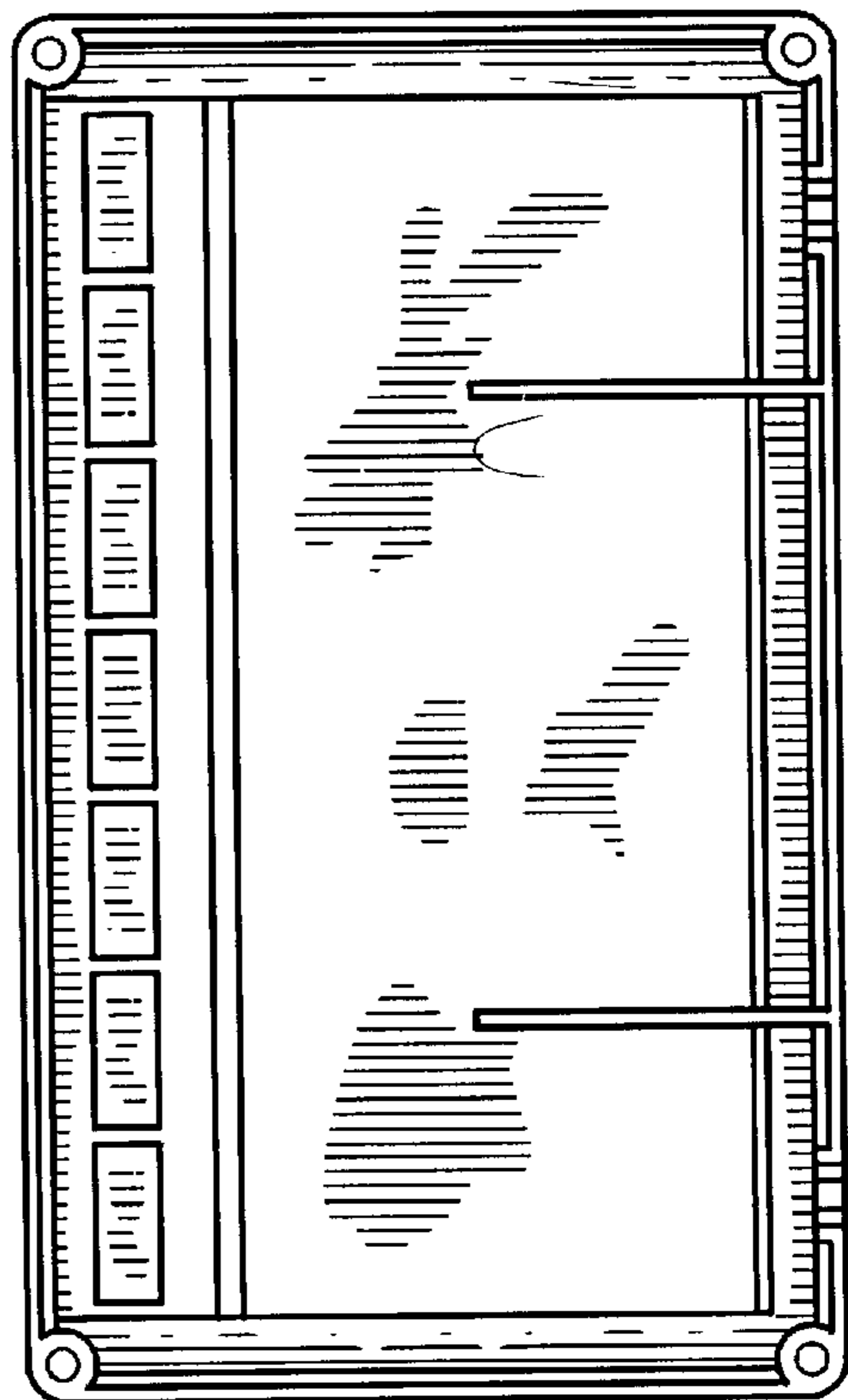


FIG. 2

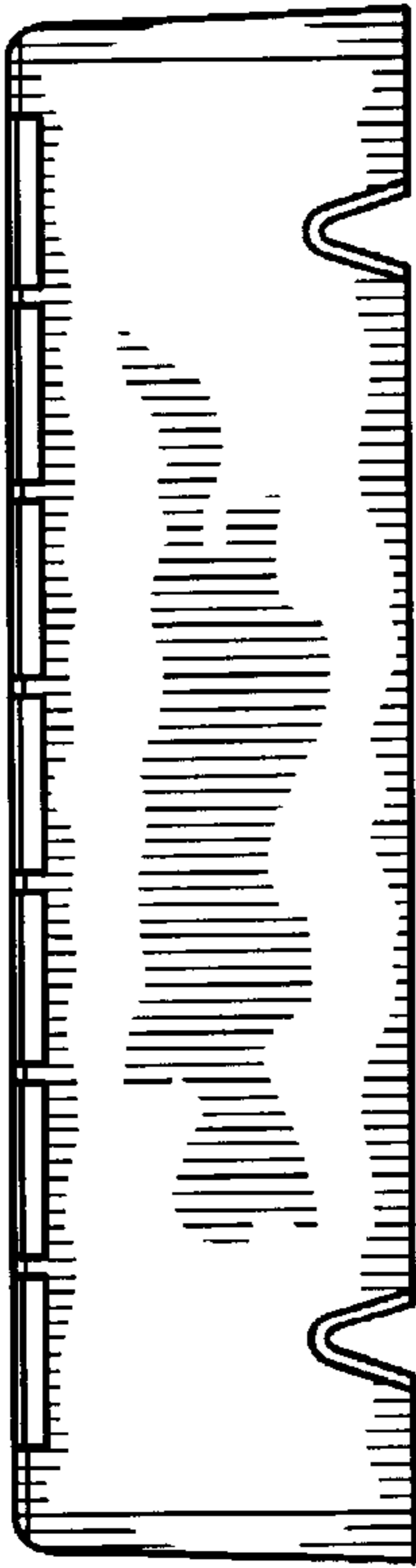


FIG. 3

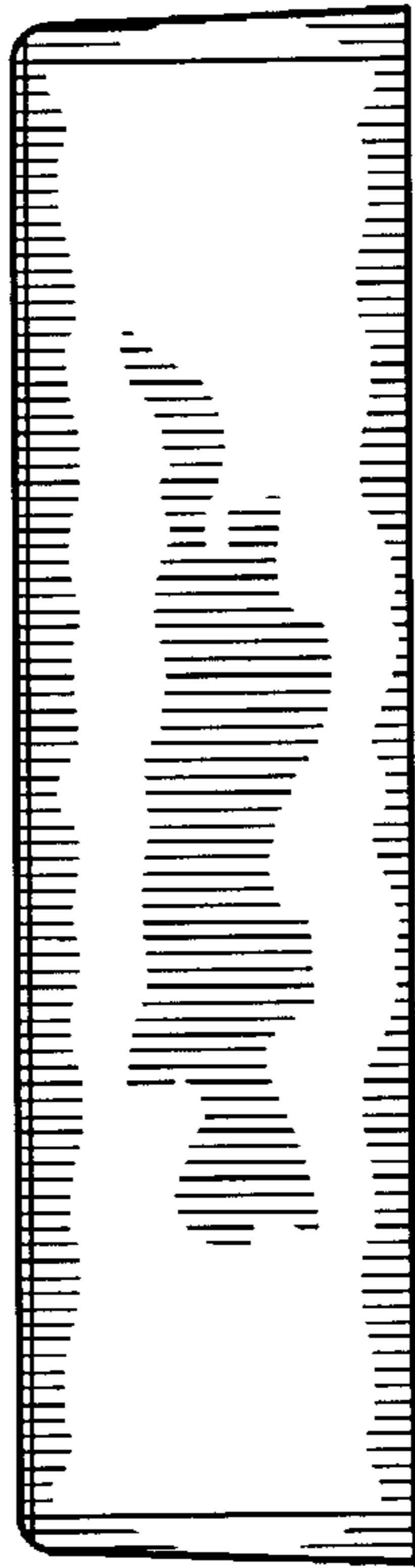


FIG. 4

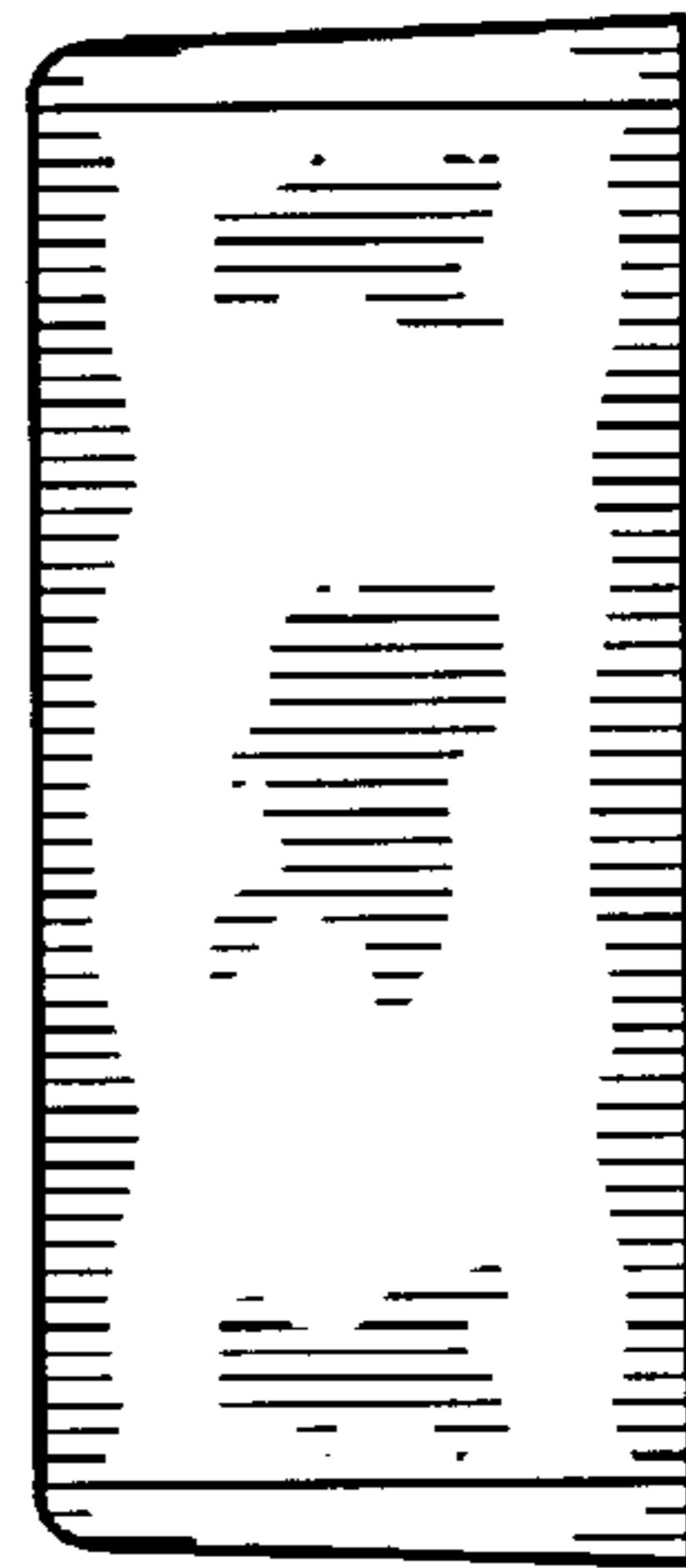


FIG. 5

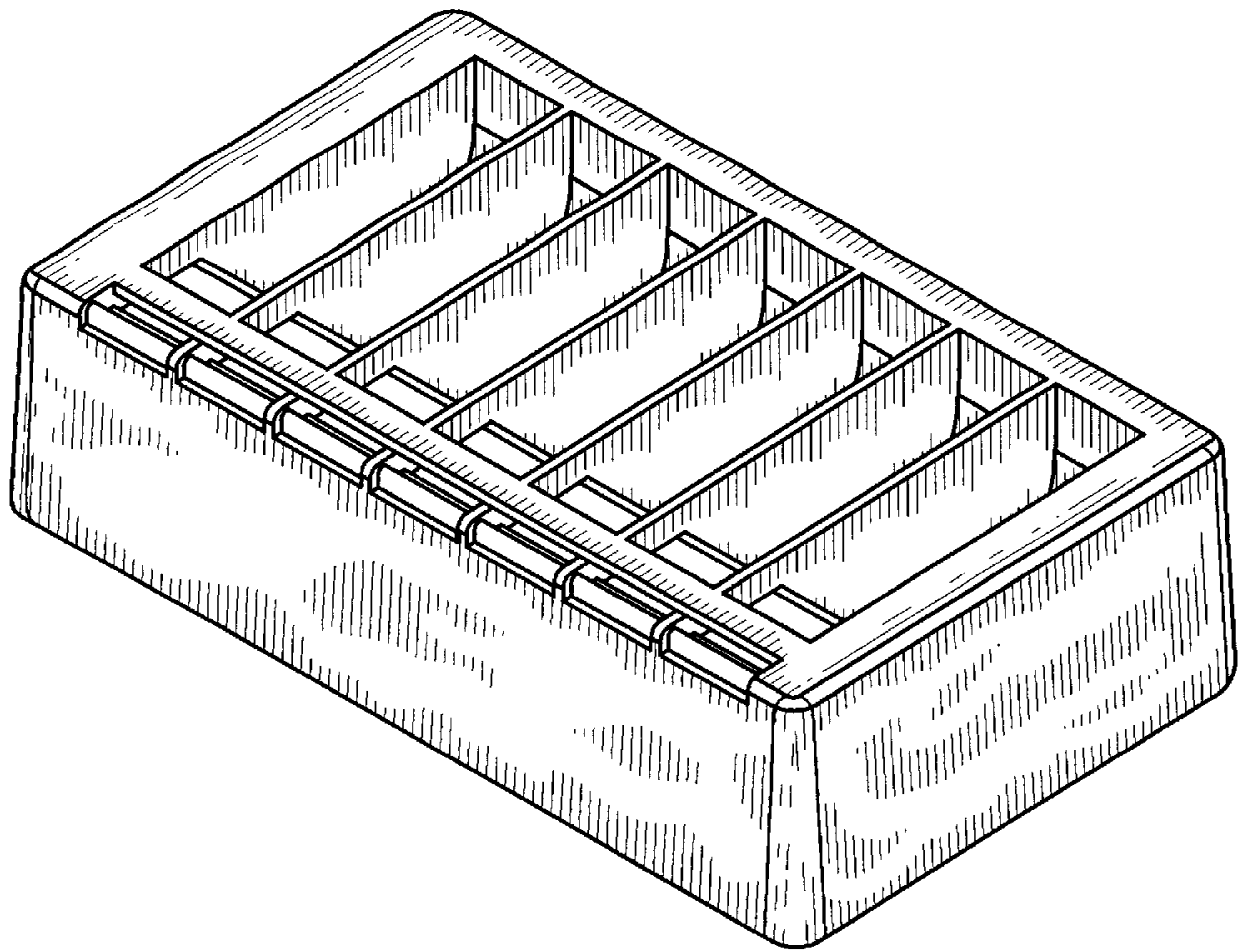


FIG. 6

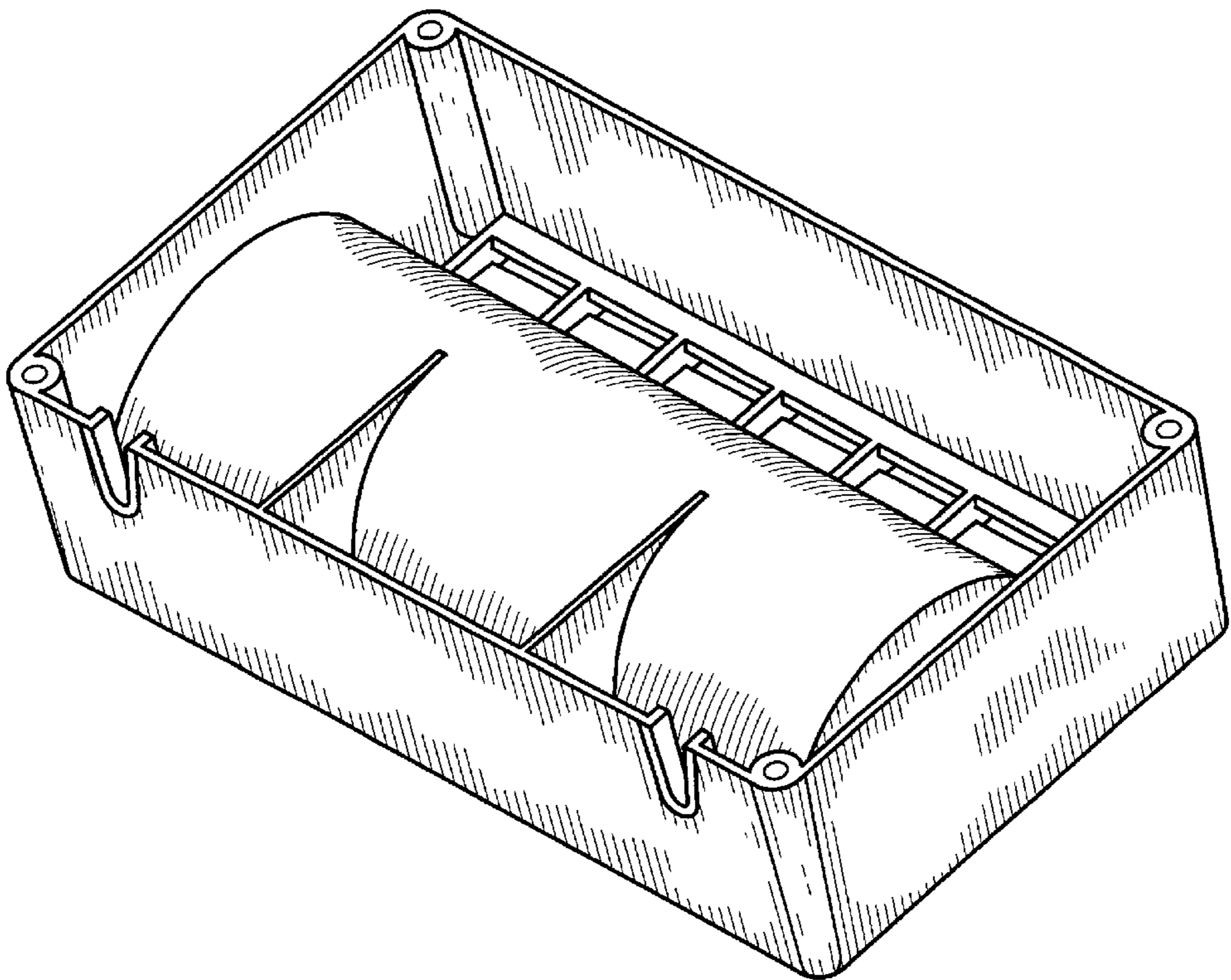


FIG. 7