



US00D454364S

(12) **United States Design Patent**  
**Seino et al.**

(10) **Patent No.:** **US D454,364 S**  
(45) **Date of Patent:** **\*\* Mar. 12, 2002**

(54) **INK CARTRIDGE FOR PRINTER**

6,250,750 B1 \* 6/2001 Miyazawa et al. .... 347/87  
6,260,961 B1 \* 7/2001 Seu et al. .... 347/87

(75) Inventors: **Takeo Seino; Satoshi Shinada; Koichi Toba**, all of Suwa (JP)

**OTHER PUBLICATIONS**

(73) Assignee: **Seiko Epson Corporation**, Tokyo (JP)

Copy of U.S. Design application No. 29/114,624, filed Nov. 29, 1999, now Des. 438,241.

(\*\*) Term: **14 Years**

Copy of U.S. Design application No. 29/122,565, filed Apr. 28, 2000, now Des. 440,600.

(21) Appl. No.: **29/134,014**

Copy of Japanese Design application No. 2000-14529, filed on May 31, 2000.

(22) Filed: **Dec. 12, 2000**

Copy of Japanese Design application No. 2000-15893, filed on Jun. 13, 2000.

(30) **Foreign Application Priority Data**

Jun. 13, 2000 (JP) ..... 2000-015898

\* cited by examiner

(51) **LOC (7) Cl.** ..... **18-02**

*Primary Examiner*—Cathy Anne MacCormac

(52) **U.S. Cl.** ..... **D18/56; 347/86**

(74) *Attorney, Agent, or Firm*—Stroock & Stroock & Lavan LLP

(58) **Field of Search** ..... D18/56; 347/86,  
347/87

(57) **CLAIM**

(56) **References Cited**

The ornamental design for an ink cartridge for printer, as shown and described.

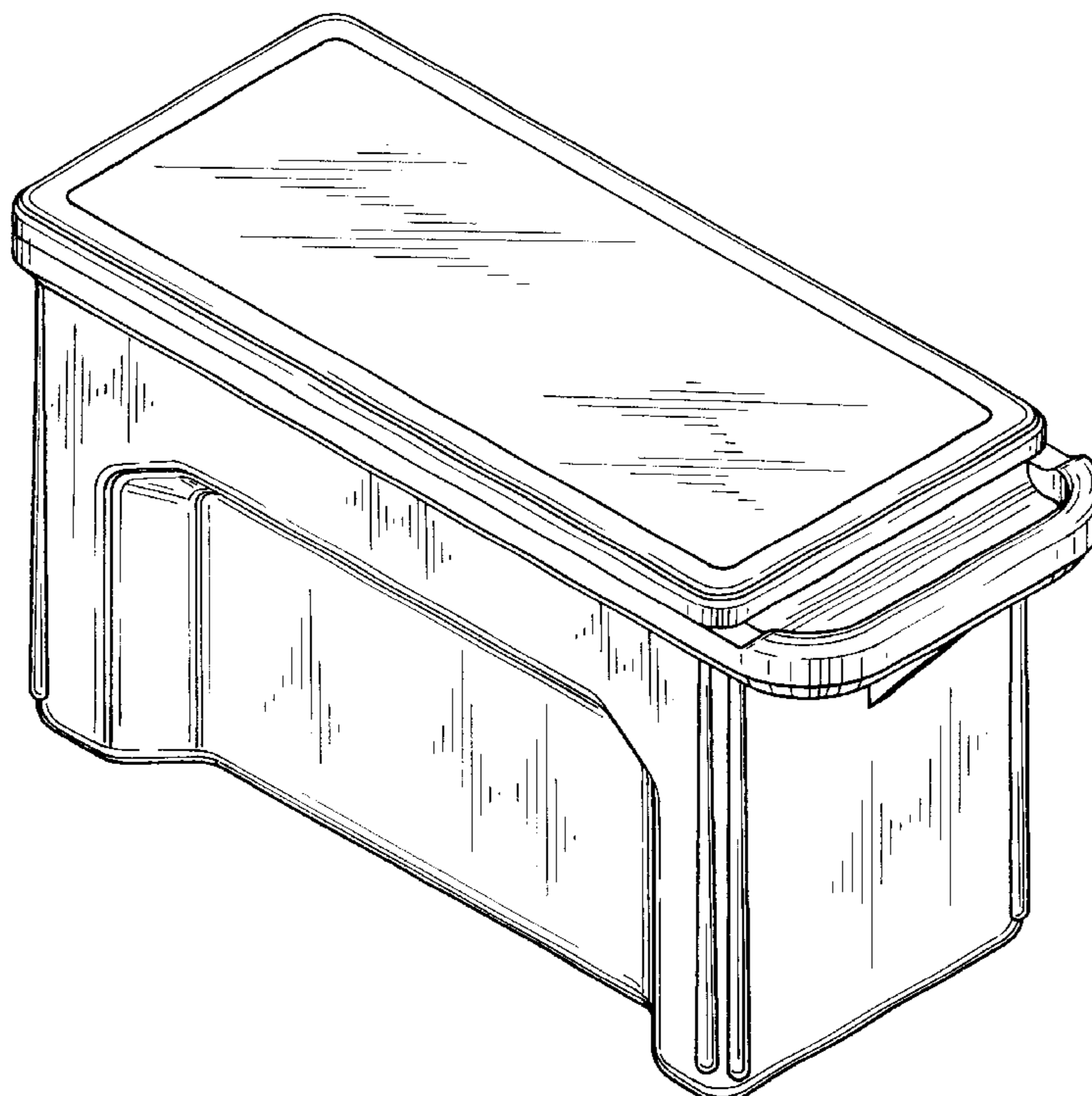
**U.S. PATENT DOCUMENTS**

**DESCRIPTION**

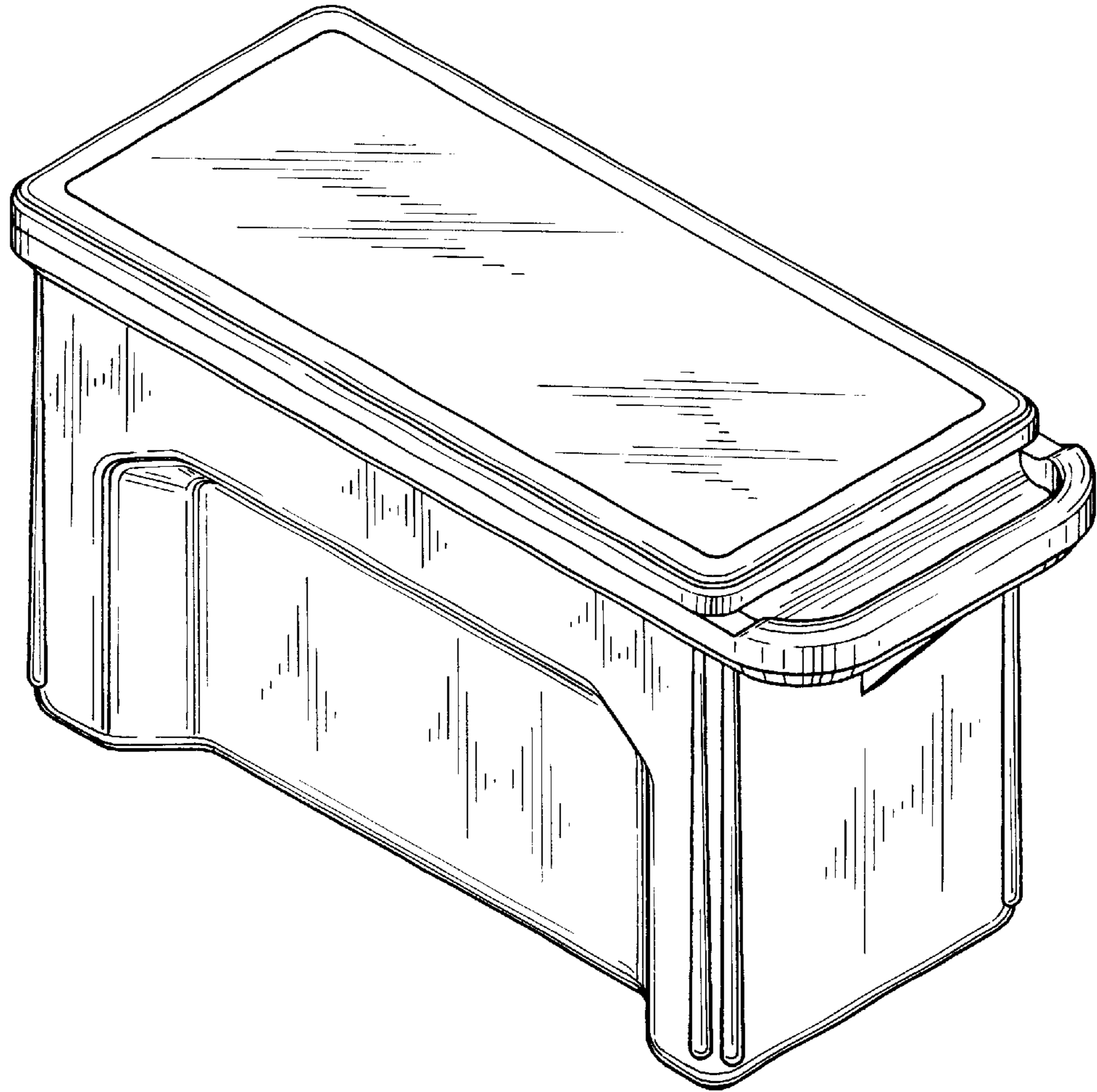
- D351,190 S 10/1994 Oshima et al.
- D369,383 S 4/1996 Miyazawa et al.
- D378,760 S 4/1997 Shinada et al.
- D381,039 S \* 7/1997 Shinada et al. .... D18/56
- D389,180 S \* 1/1998 Miyazawa et al. .... D18/56
- D390,598 S 2/1998 Miyazawa et al.
- D427,236 S 6/2000 Shinada et al.
- D438,241 S \* 2/2001 Shinada et al. .... D18/56
- D438,896 S \* 3/2001 Shinada et al. .... D18/56
- D439,609 S \* 3/2001 Shinada et al. .... D18/56
- D443,893 S \* 6/2001 Gonzales et al. .... D18/56
- 6,247,598 B1 \* 6/2001 Hosaka et al. .... 347/87

FIG. 1 is a top, front and right side perspective view of an ink cartridge for printer showing our new design;  
FIG. 2 is a top plan view thereof;  
FIG. 3 is a front elevational view thereof;  
FIG. 4 is a left side view thereof;  
FIG. 5 is a right side view thereof;  
FIG. 6 is a rear view thereof; and,  
FIG. 7 is a bottom view thereof.

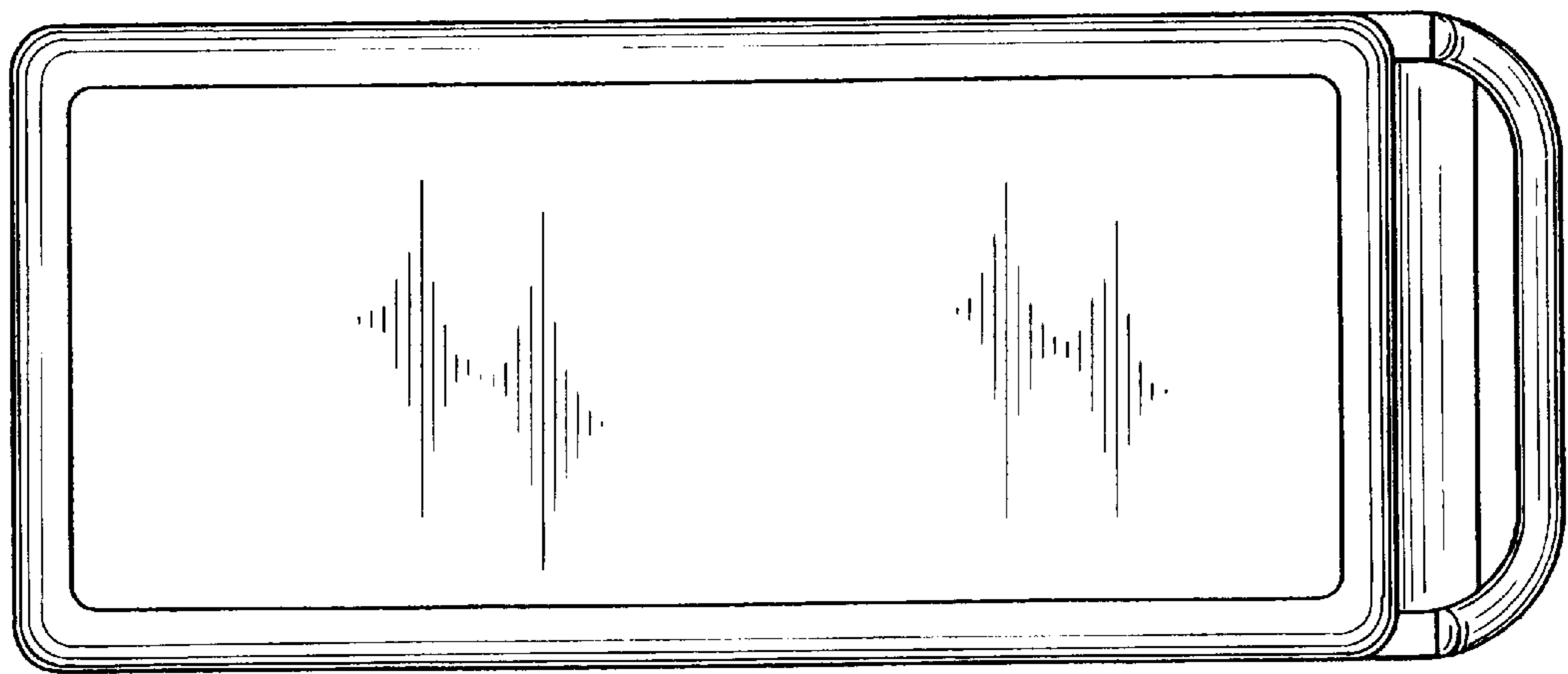
**1 Claim, 3 Drawing Sheets**



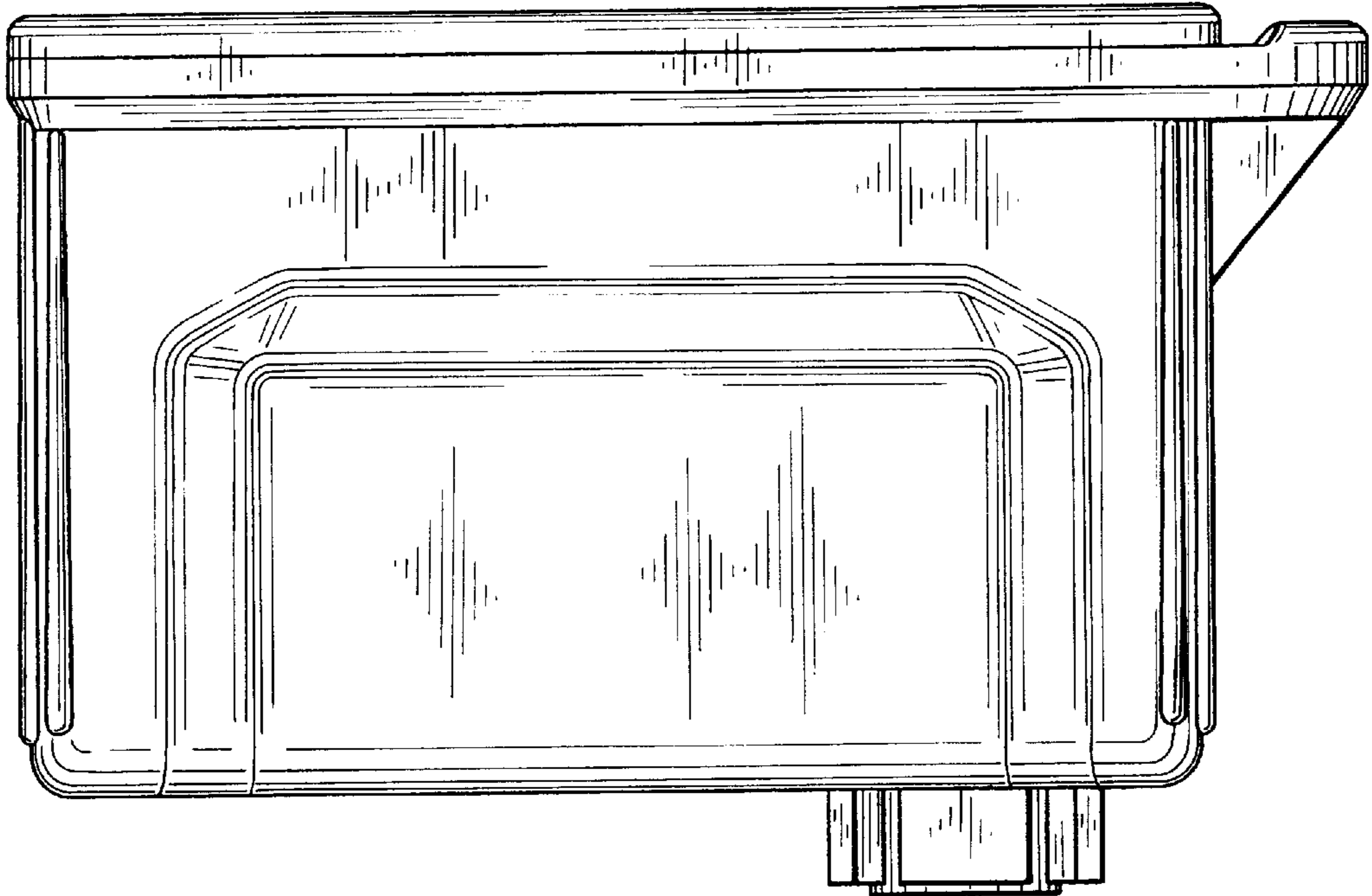
*FIG. 1*



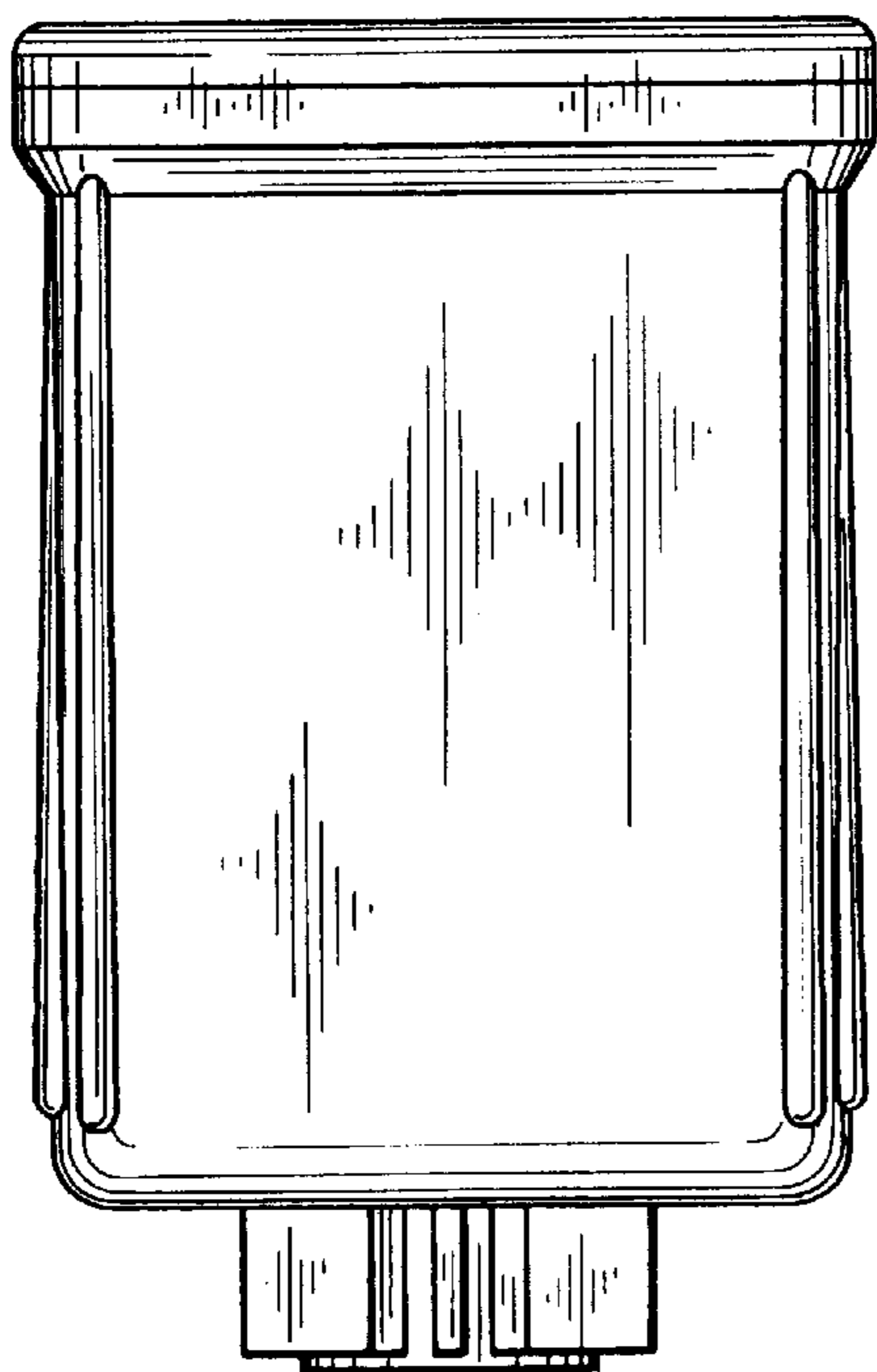
*FIG. 2*



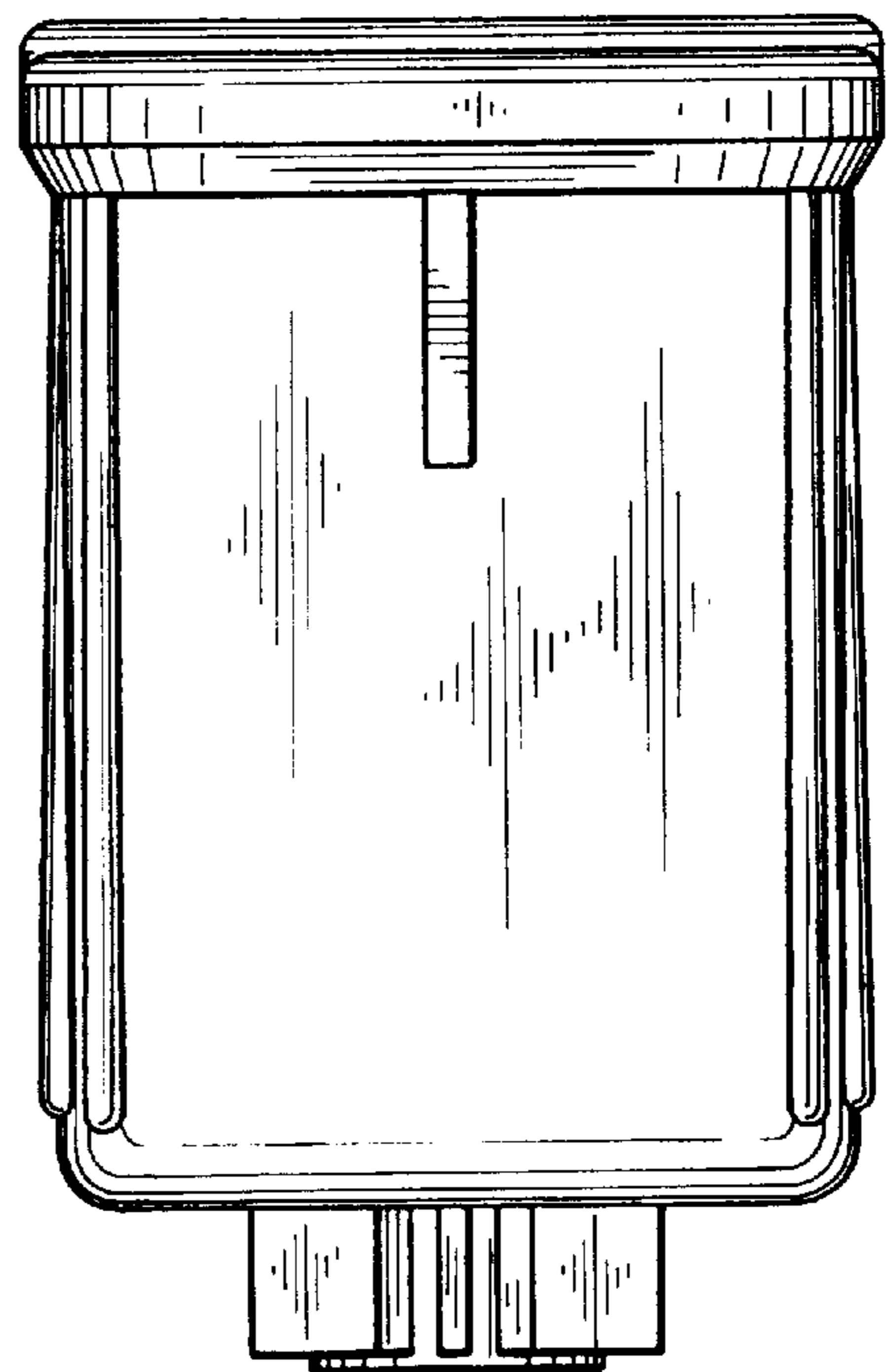
*FIG. 3*



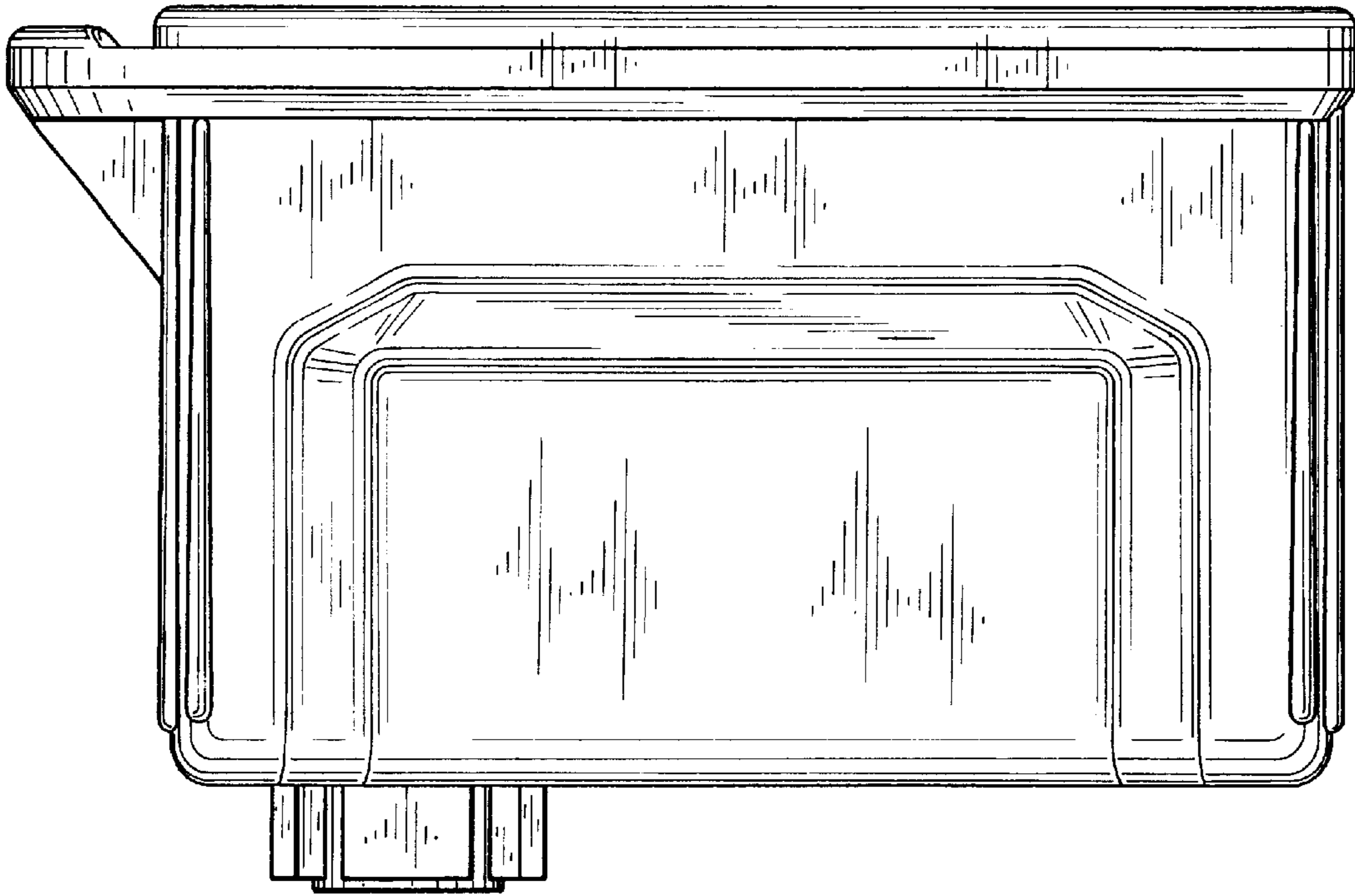
*FIG. 4*



*FIG. 5*



*FIG. 6*



*FIG. 7*

