



US00D454363S

(12) **United States Design Patent**
Seino et al.

(10) **Patent No.:** **US D454,363 S**
(45) **Date of Patent:** **** Mar. 12, 2002**

(54) **INK CARTRIDGE FOR PRINTER**

D442,219 S * 5/2001 Chou et al. D18/56

(75) Inventors: **Takeo Seino; Satoshi Shinada; Koichi Toba**, all of Suwa (JP)

(73) Assignee: **Seiko Epson Corporation**, Tokyo (JP)

(**) Term: **14 Years**

(21) Appl. No.: **29/133,947**

(22) Filed: **Dec. 11, 2000**

(30) **Foreign Application Priority Data**

Jun. 13, 2000 (JP) 2000-015893

(51) **LOC (7) Cl.** **18-01**

(52) **U.S. Cl.** **D18/56; 347/86**

(58) **Field of Search** **D18/56; 347/86, 347/87**

(56) **References Cited**

U.S. PATENT DOCUMENTS

D351,190 S	10/1994	Oshima et al.	
D369,383 S	4/1996	Miyazawa et al.	
D378,760 S	4/1997	Shinada et al.	
D381,039 S	7/1997	Shinada et al.	
D389,180 S	1/1998	Miyazawa et al.	
D390,598 S	2/1998	Miyazawa et al.	
D423,568 S	* 4/2000	Inoue et al.	D18/56
D427,236 S	6/2000	Shinada et al.	
D438,241 S	* 2/2001	Shinada et al.	D18/56
D440,600 S	* 4/2001	Seino et al.	D18/56

OTHER PUBLICATIONS

Copy of U.S. Design application No. 29,114,624, filed on Nov. 29, 1994, now Des. 438,241.

Copy of U.S. Design application No. 29/122,565, filed Apr. 28, 2000, now Des. 440,660.

Copy of Japanese Design application No. 2000-14529, filed May 31, 2000.

Copy of Japanese Design application No. 2000-15898, filed Jun. 13, 2000.

* cited by examiner

Primary Examiner—Cathy Anne MacCormac

(74) *Attorney, Agent, or Firm*—Stroock & Stroock & Lavan LLP

(57) **CLAIM**

The ornamental design for an ink cartridge for printer, as shown and described.

DESCRIPTION

FIG. 1 is a top, front and right side perspective view of an ink cartridge for printer showing our new design;

FIG. 2 is a top plan view thereof;

FIG. 3 is a front elevational view thereof;

FIG. 4 is a left side view thereof;

FIG. 5 is a right side view thereof;

FIG. 6 is a rear view thereof; and,

FIG. 7 is a bottom view thereof.

1 Claim, 3 Drawing Sheets

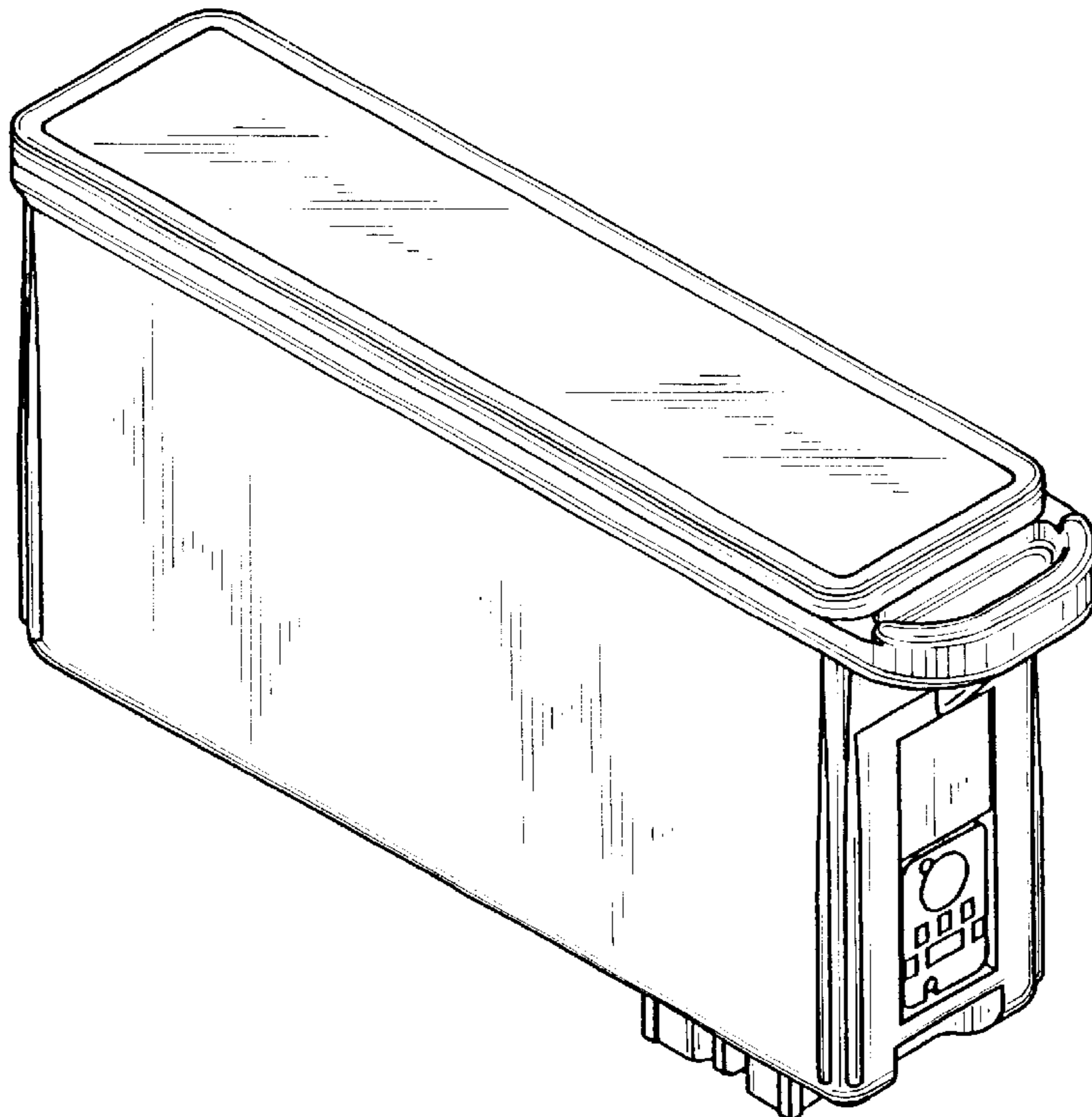


FIG. 1

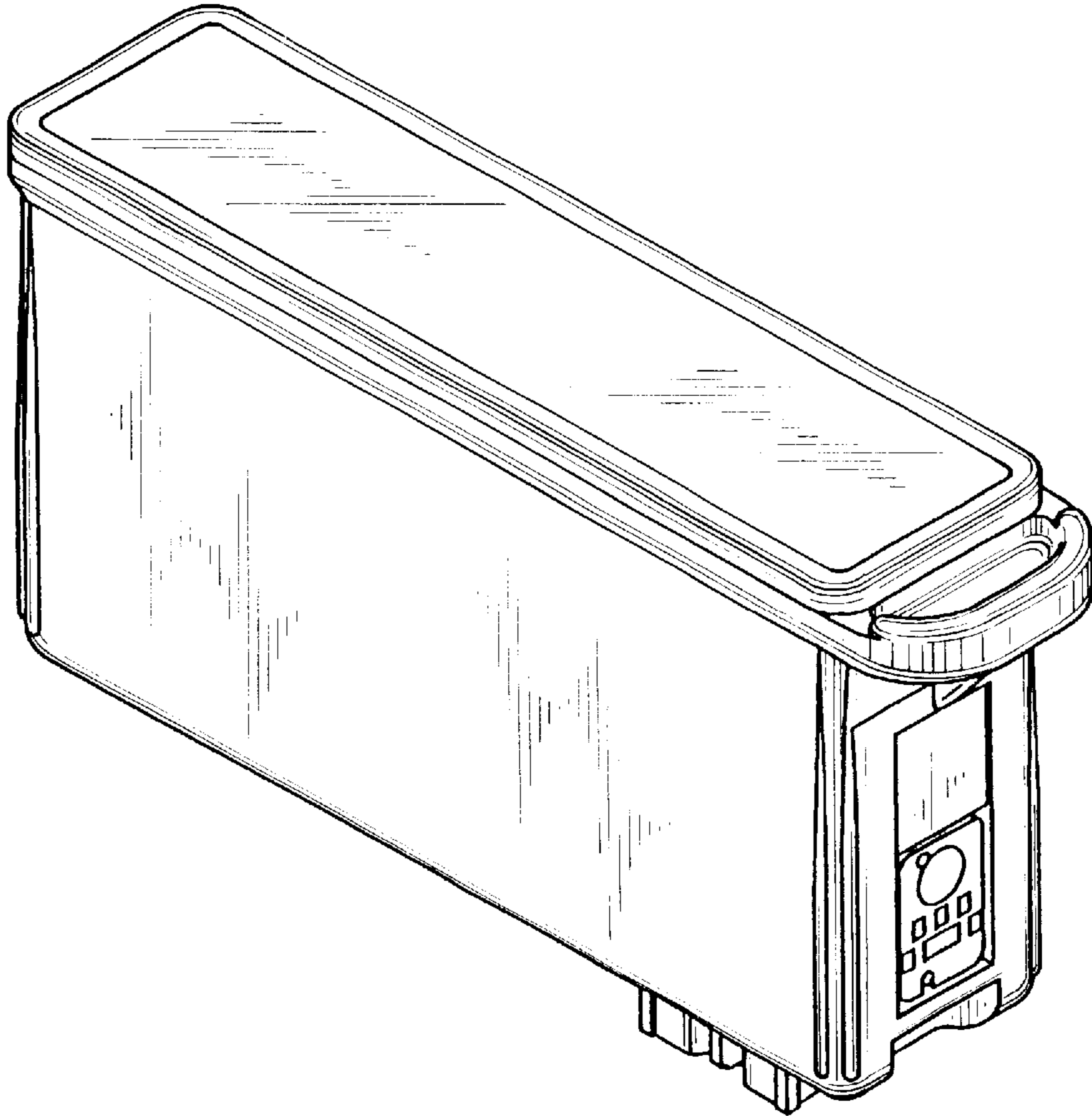


FIG. 2

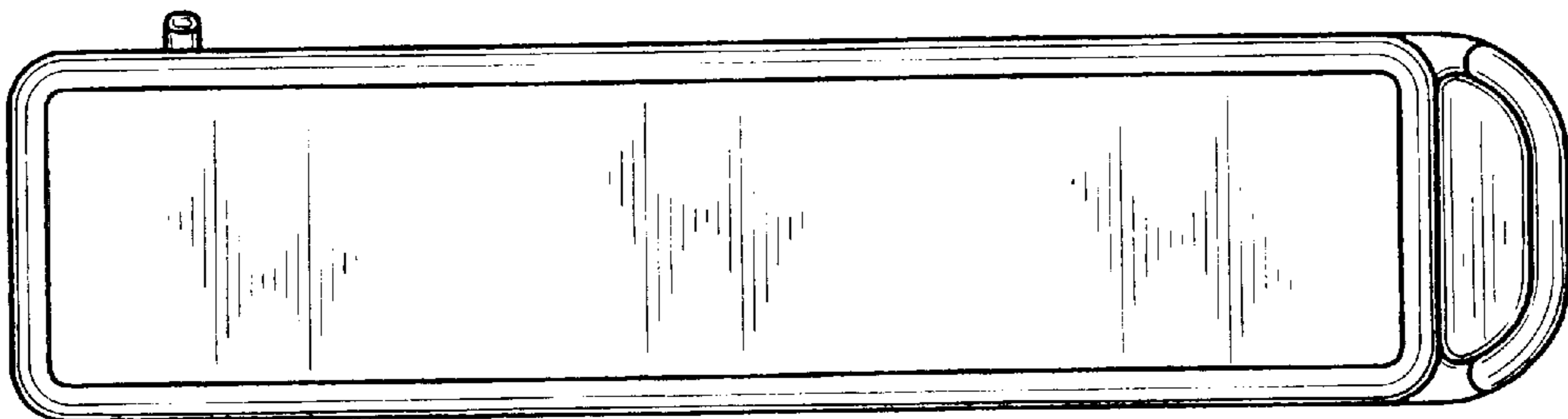


FIG. 3

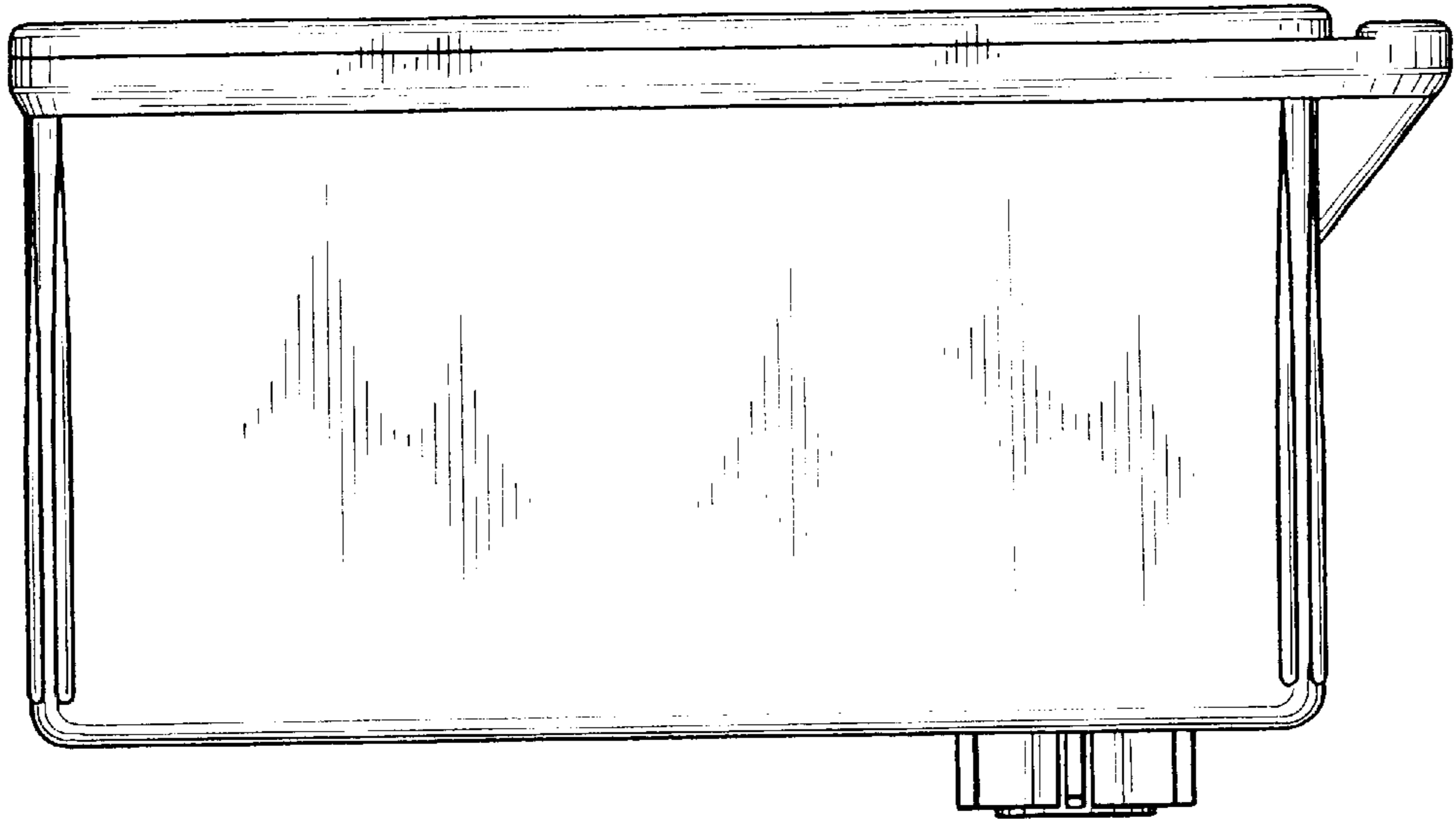


FIG. 4

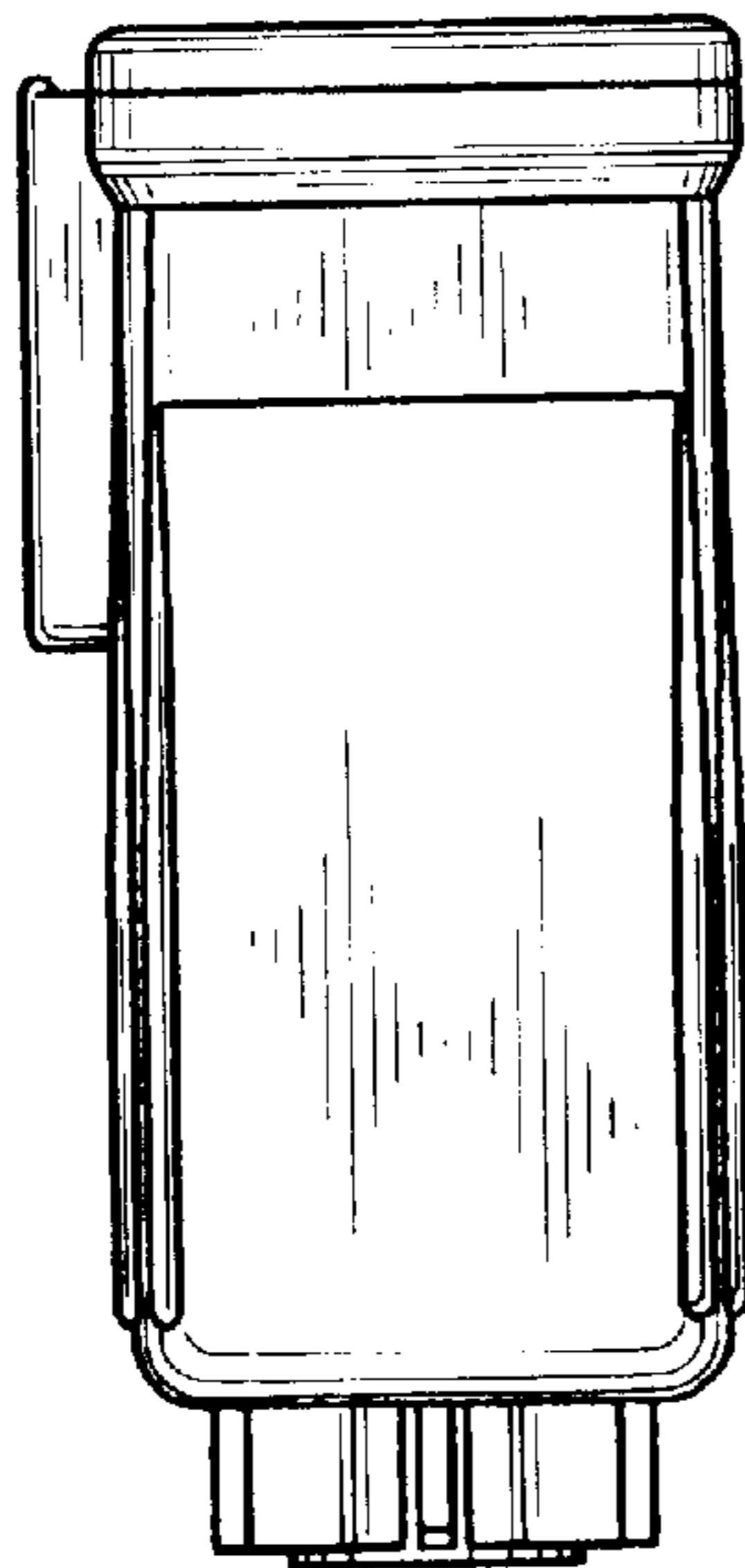


FIG. 5

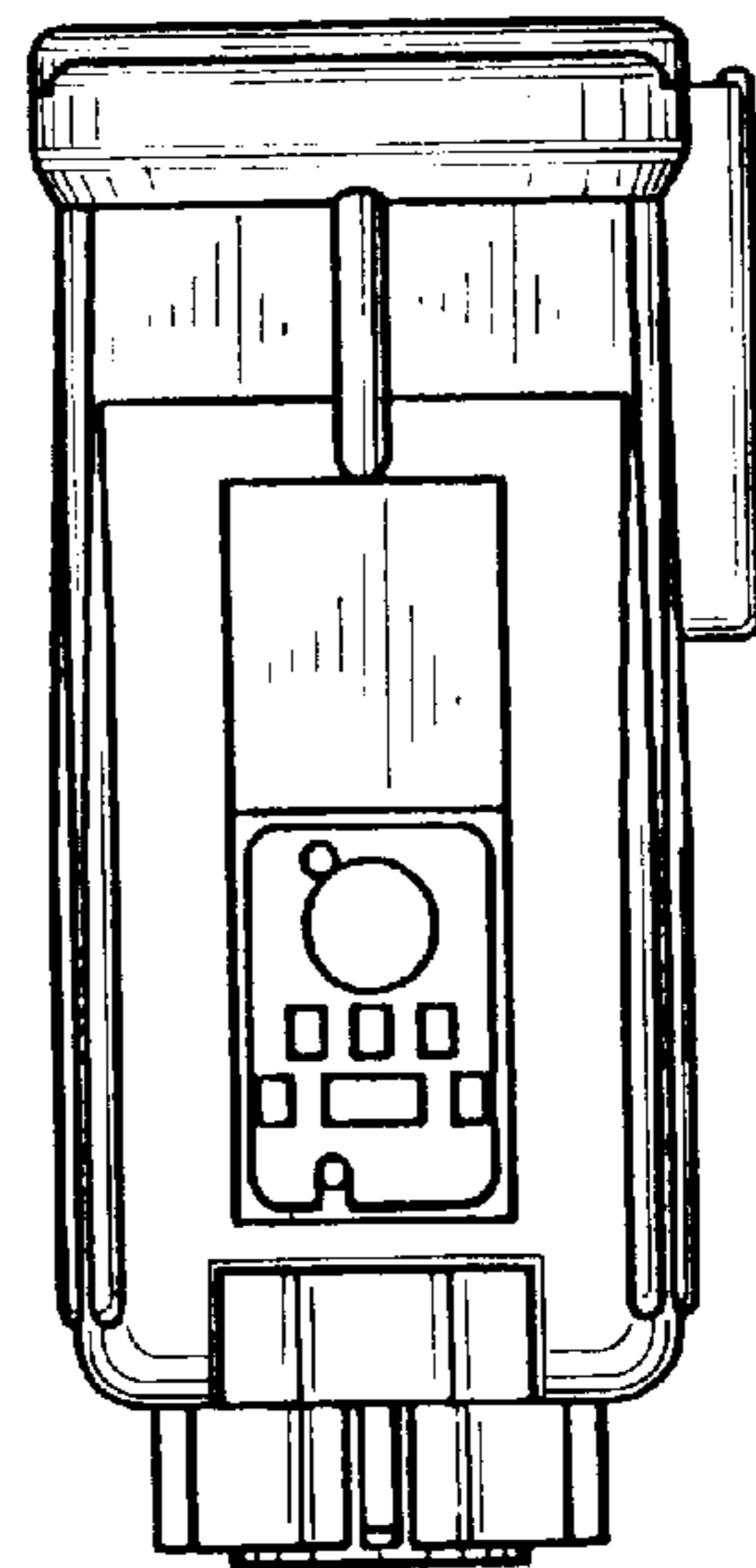


FIG. 6

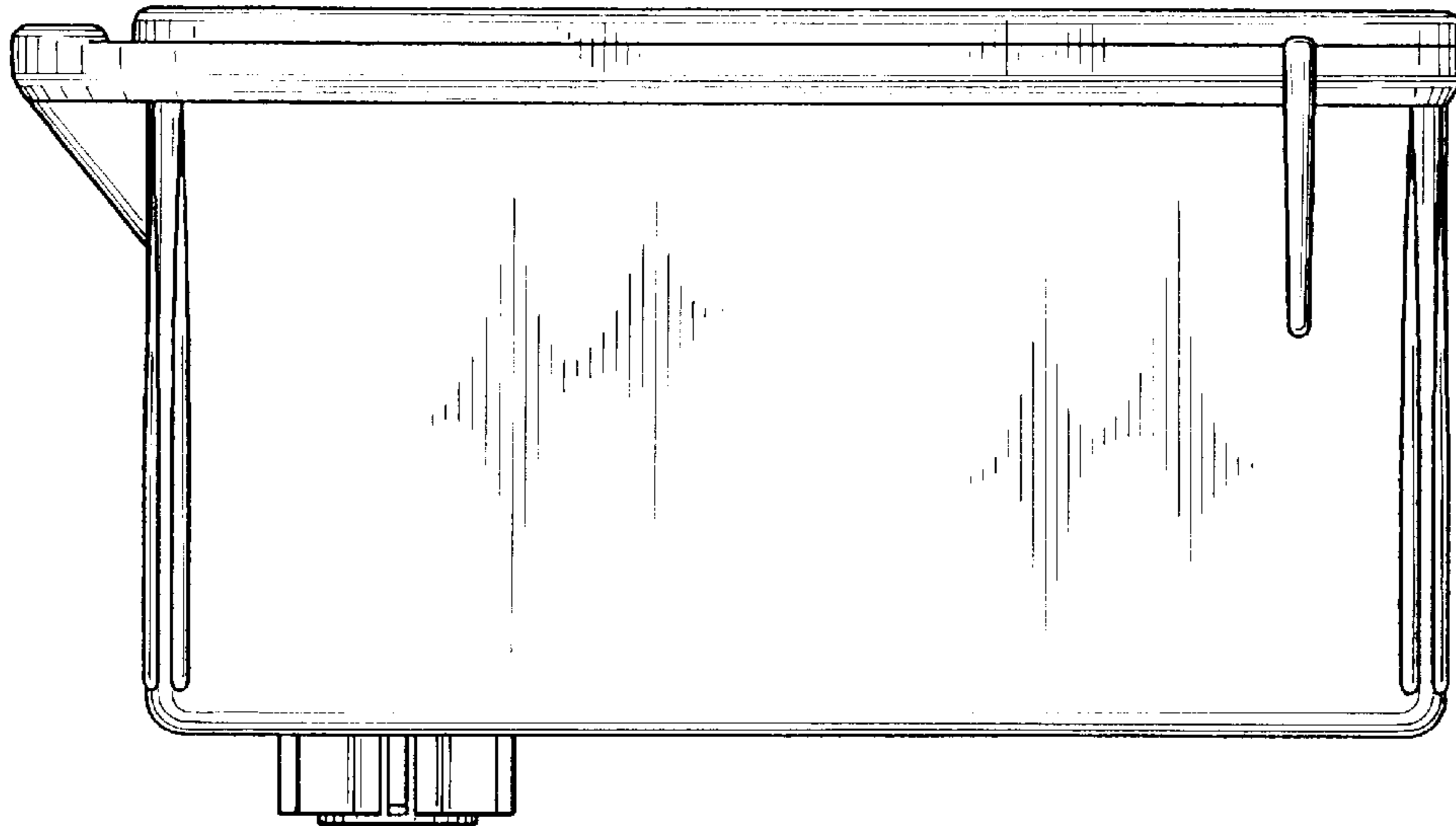


FIG. 7

