



US00D454362S

(12) **United States Design Patent**
Kusters

(10) **Patent No.:** **US D454,362 S**

(45) **Date of Patent:** **** Mar. 12, 2002**

(54) **MACHINE FOR SHREDDING PAPER CURRENCY**

D453,060 * 12/2000 Hung D18/34
D446,543 S * 8/2001 Ho D18/34

(75) Inventor: **Wilhelmus Martinus Anthonius Kusters**, Venlo (NL)

* cited by examiner

Primary Examiner—Melody N. Brown
(74) *Attorney, Agent, or Firm*—Ladas & Parry

(73) Assignee: **Syntech Holdings B.V.**, Venlo (NL)

(**) Term: **14 Years**

(57) **CLAIM**

The ornamental design for a “machine for shredding paper currency”, as shown and described.

(21) Appl. No.: **29/132,919**

DESCRIPTION

(22) Filed: **Nov. 16, 2000**

(30) **Foreign Application Priority Data**

May 16, 2000 (XH) DM/052 239

(51) **LOC (7) Cl.** **18-34**

(52) **U.S. Cl.** **D18/34**

(58) **Field of Search** D18/34, 57, 68, D18/72, 86, 100; D15/127–129, 141; D24/220; 221/222; 83/566, 571, 613, 633, 911; 241/100, 169.1, 236; 412/33–43, 7, 16, 908; 156/908; 281/21.1, 27.2, 28

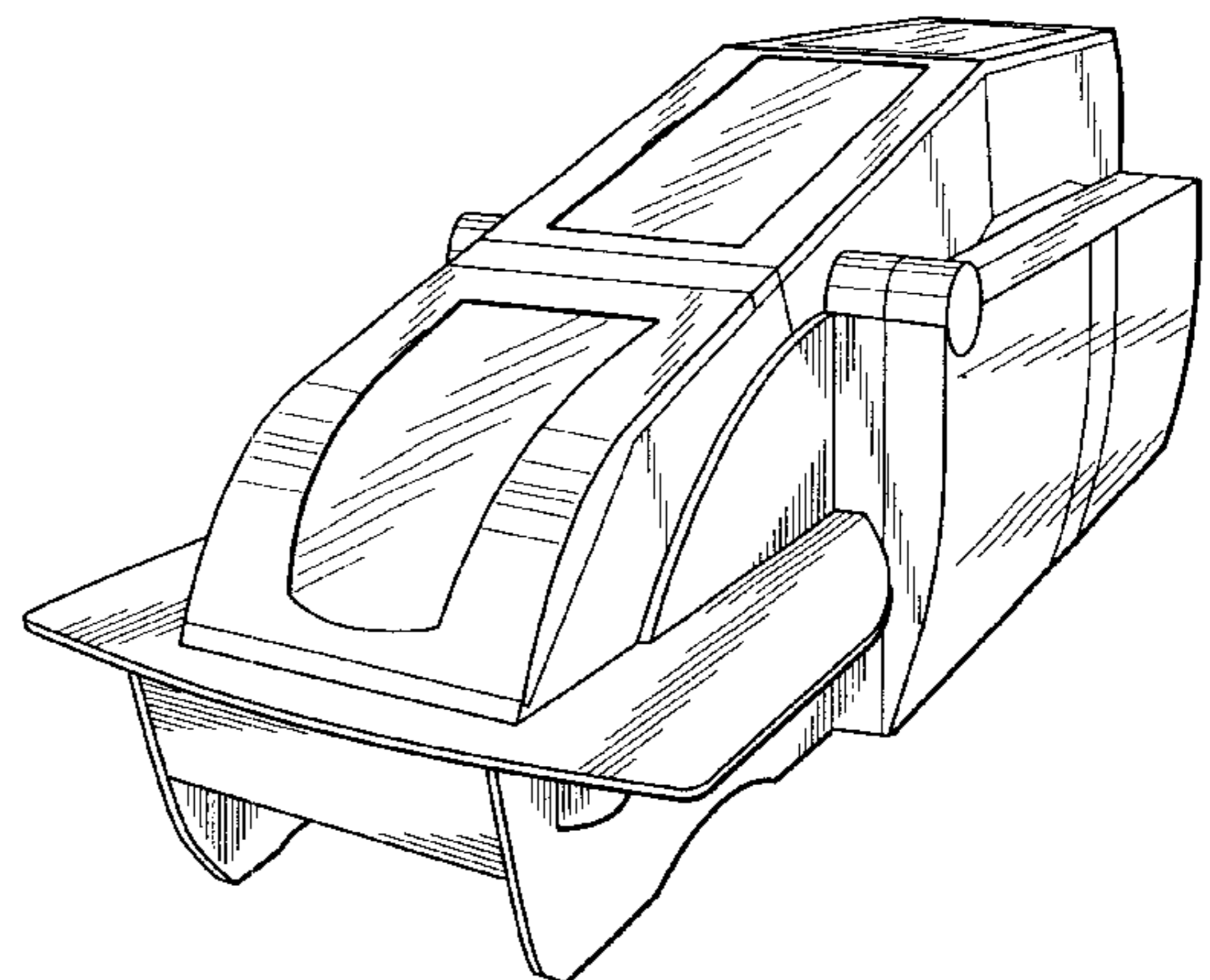
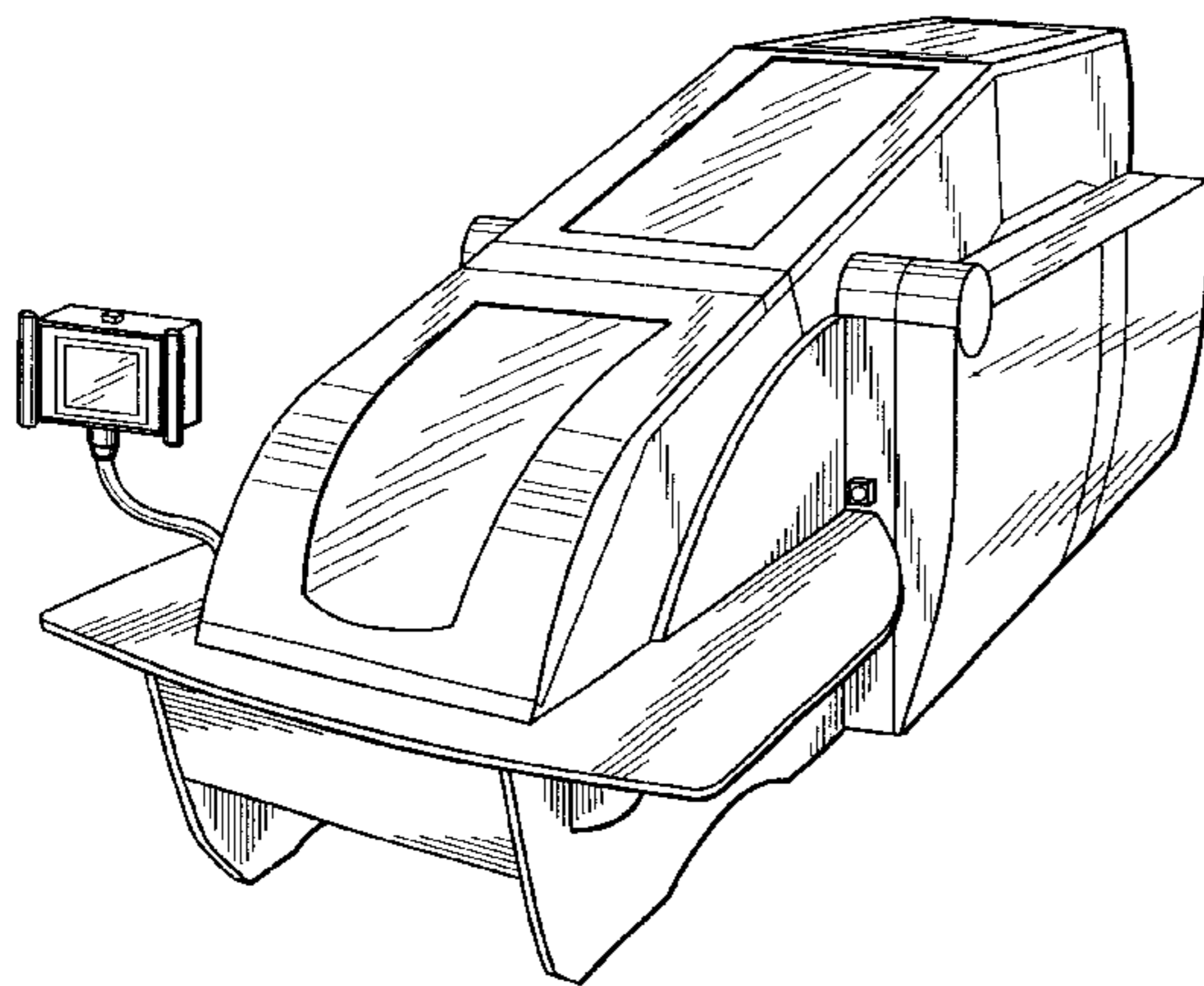
FIG. 1 is a perspective view of a machine for shredding paper currency showing my new design;
FIG. 2 is a front view thereof;
FIG. 3 is a rear view thereof;
FIG. 4 is a left-side view thereof;
FIG. 5 is a right-side view thereof;
FIG. 6 is a top plan view thereof;
FIG. 7 is a bottom plan view thereof;
FIG. 8 is a perspective view of a machine for shredding paper currency showing a second embodiment of my new design;
FIG. 9 is a front view thereof;
FIG. 10 is a rear view thereof;
FIG. 11 is a left-side view thereof;
FIG. 12 is a right-side view thereof;
FIG. 13 is a top plan view thereof; and,
FIG. 14 is a bottom plan view thereof.

(56) **References Cited**

U.S. PATENT DOCUMENTS

D366,061 S * 1/1996 Likins et al. D18/34
D404,756 S * 1/1999 Dzierzk D18/34
D410,946 S * 6/1999 Holderfield D18/34
D412,716 S * 8/1999 Kroger D18/34
D434,433 S * 11/2000 Hung D18/34

1 Claim, 6 Drawing Sheets



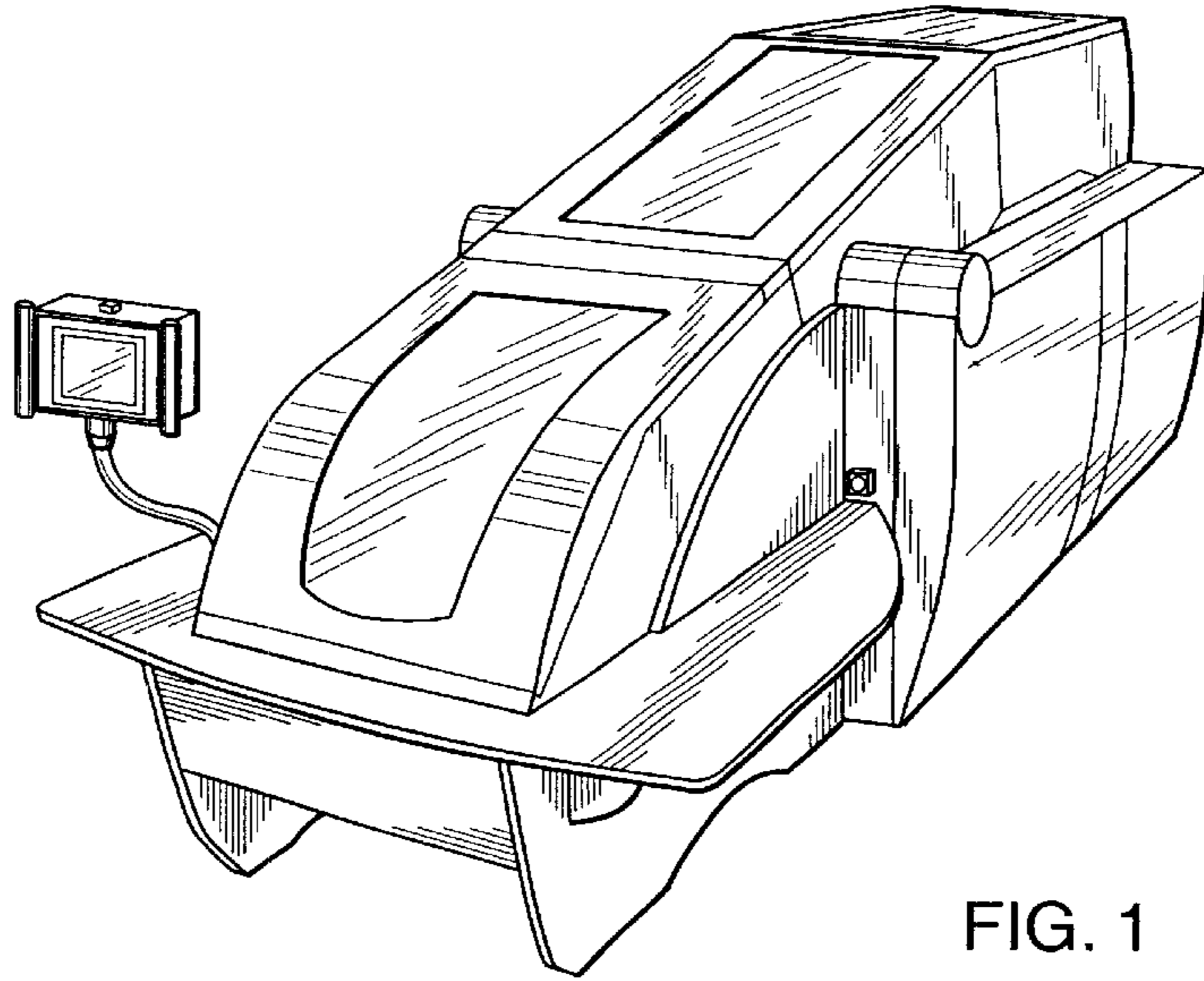


FIG. 1

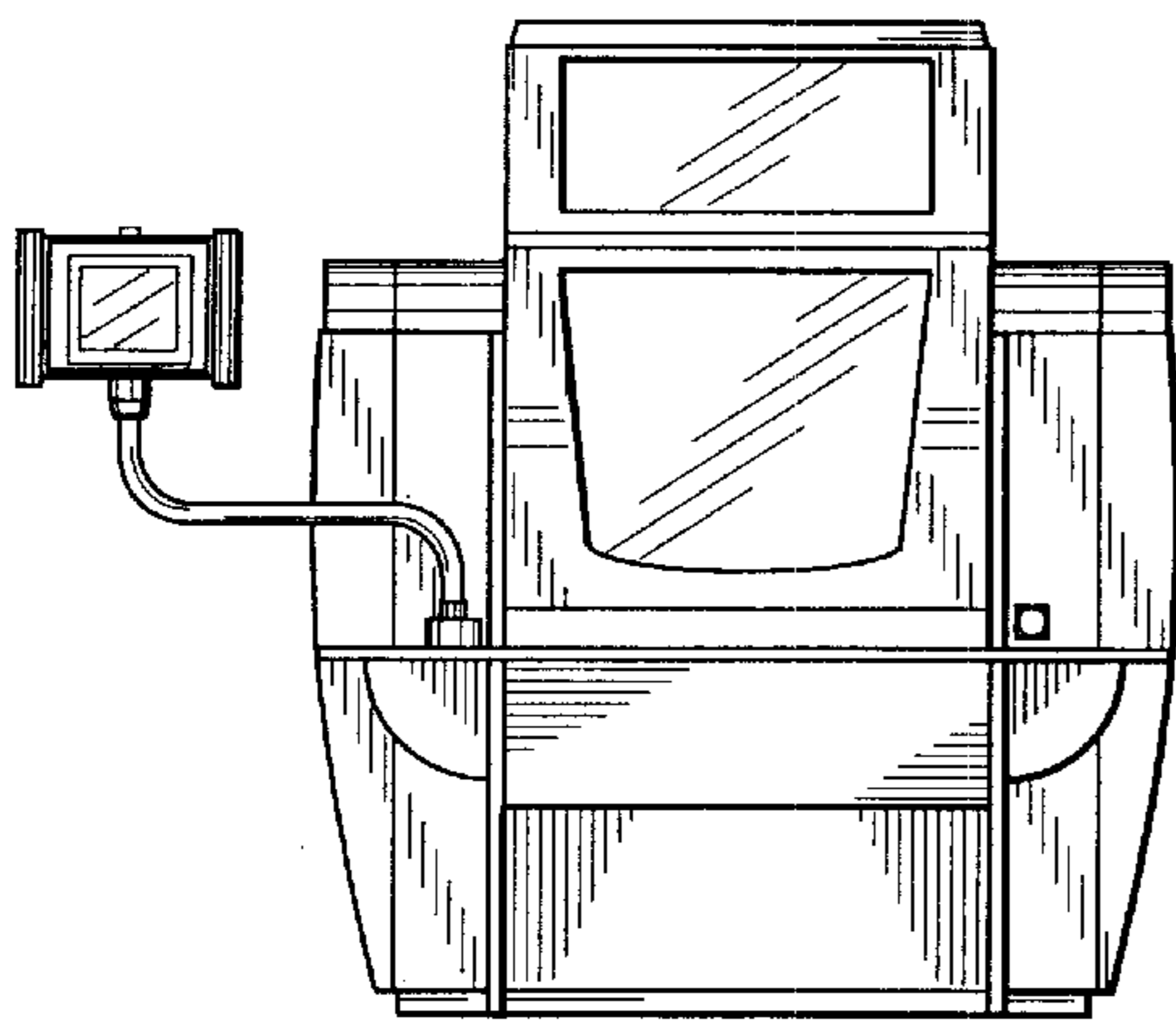
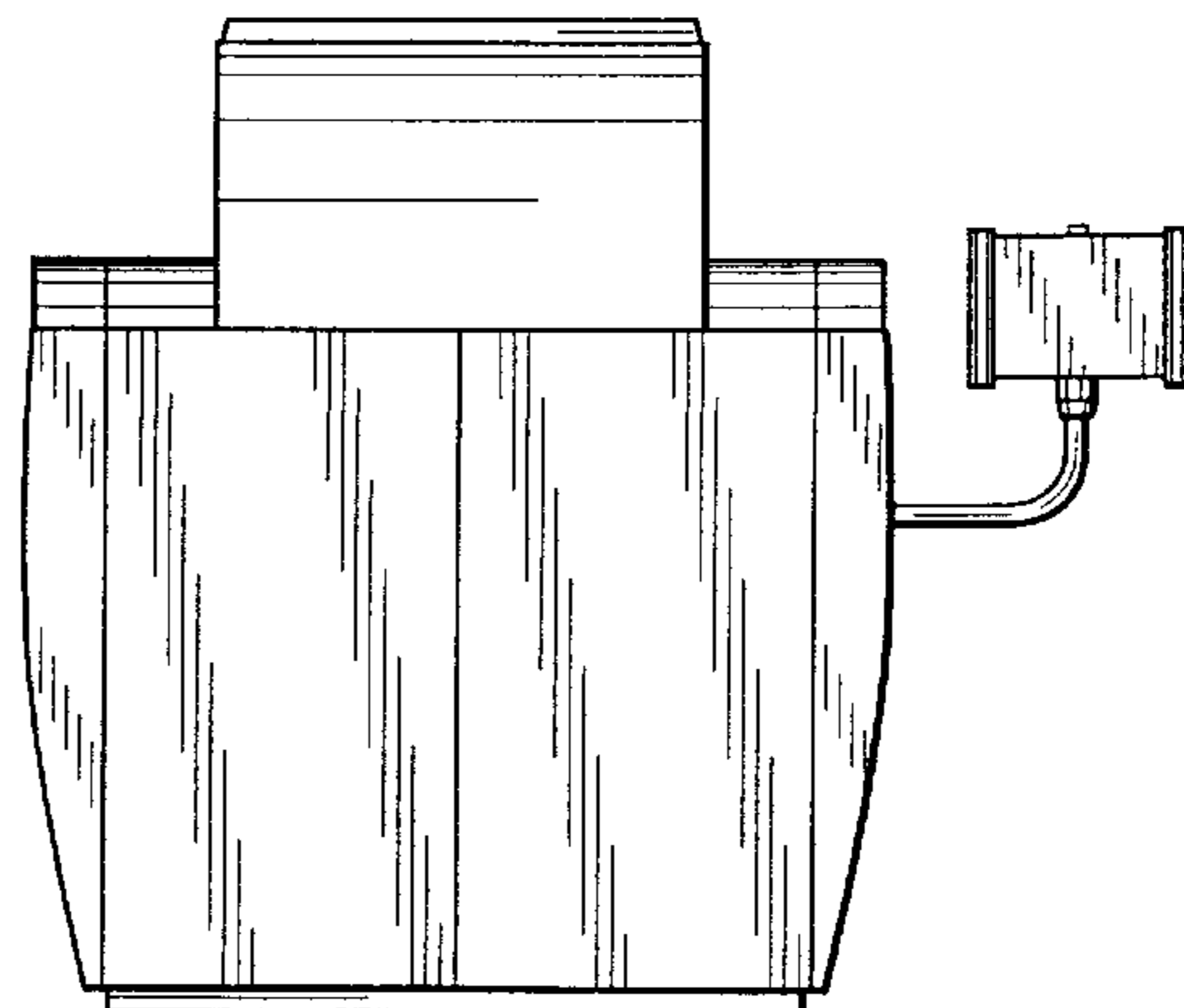


FIG. 2

FIG. 3



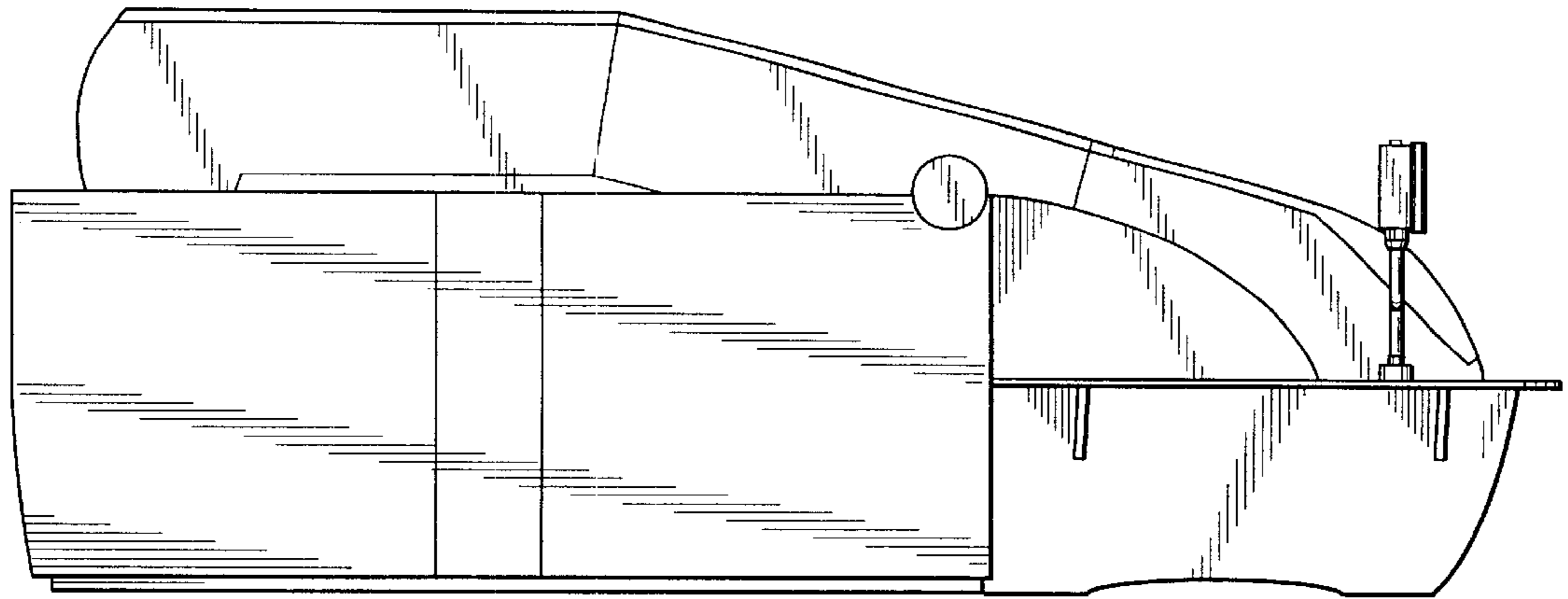


FIG. 4

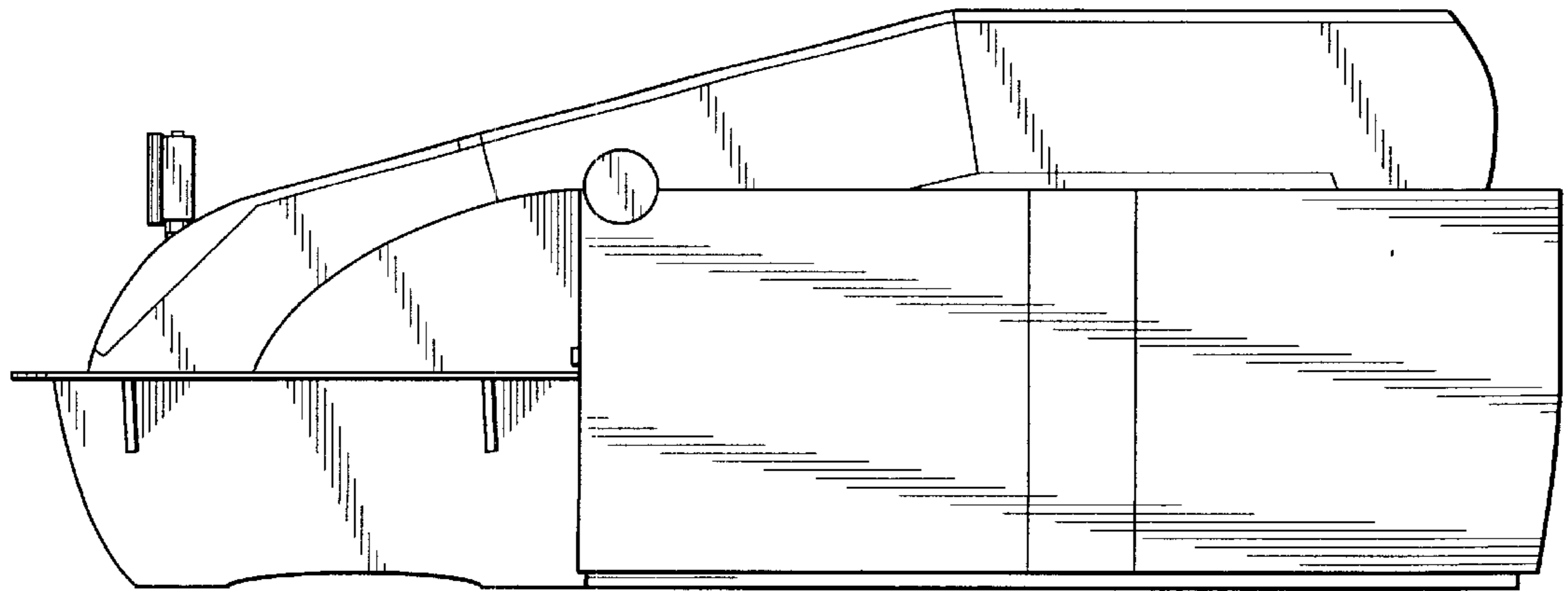


FIG. 5

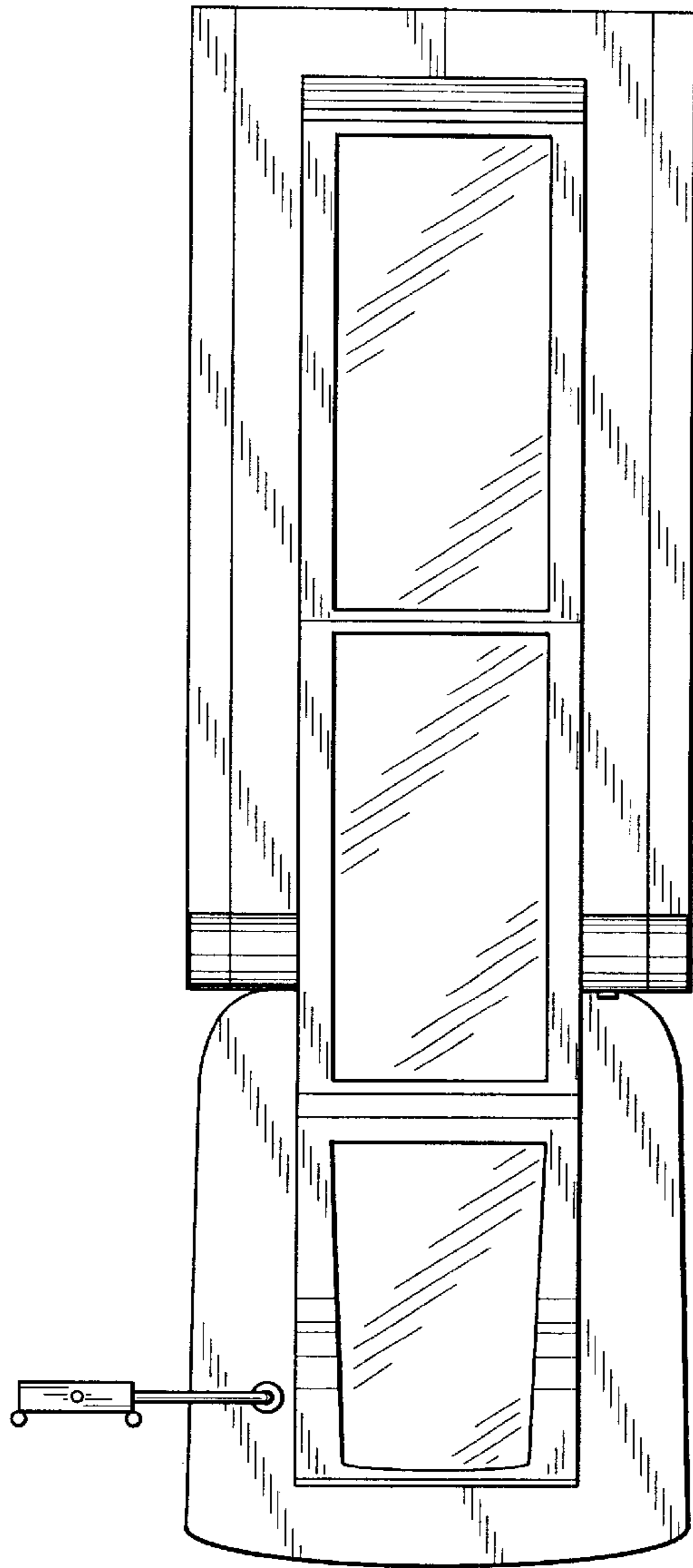


FIG. 6

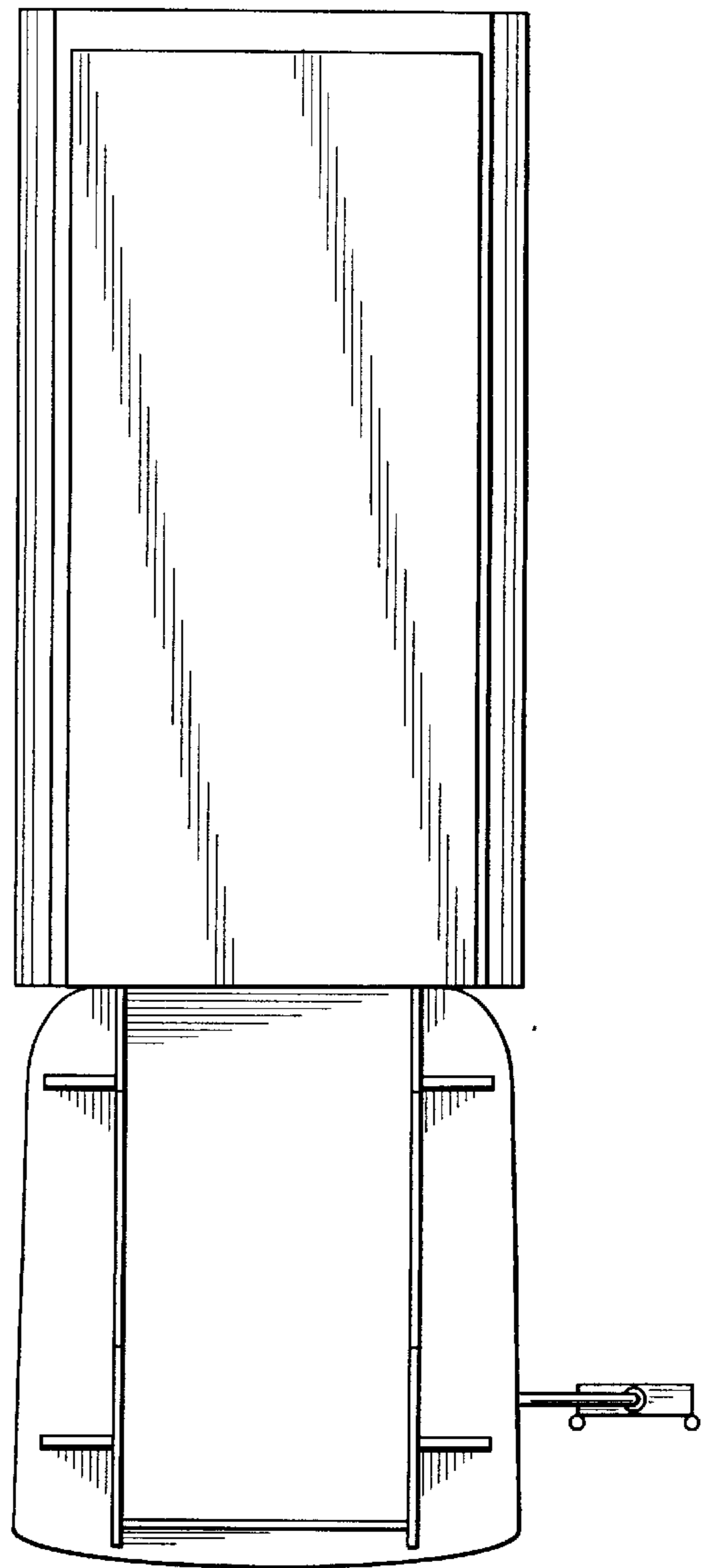


FIG. 7

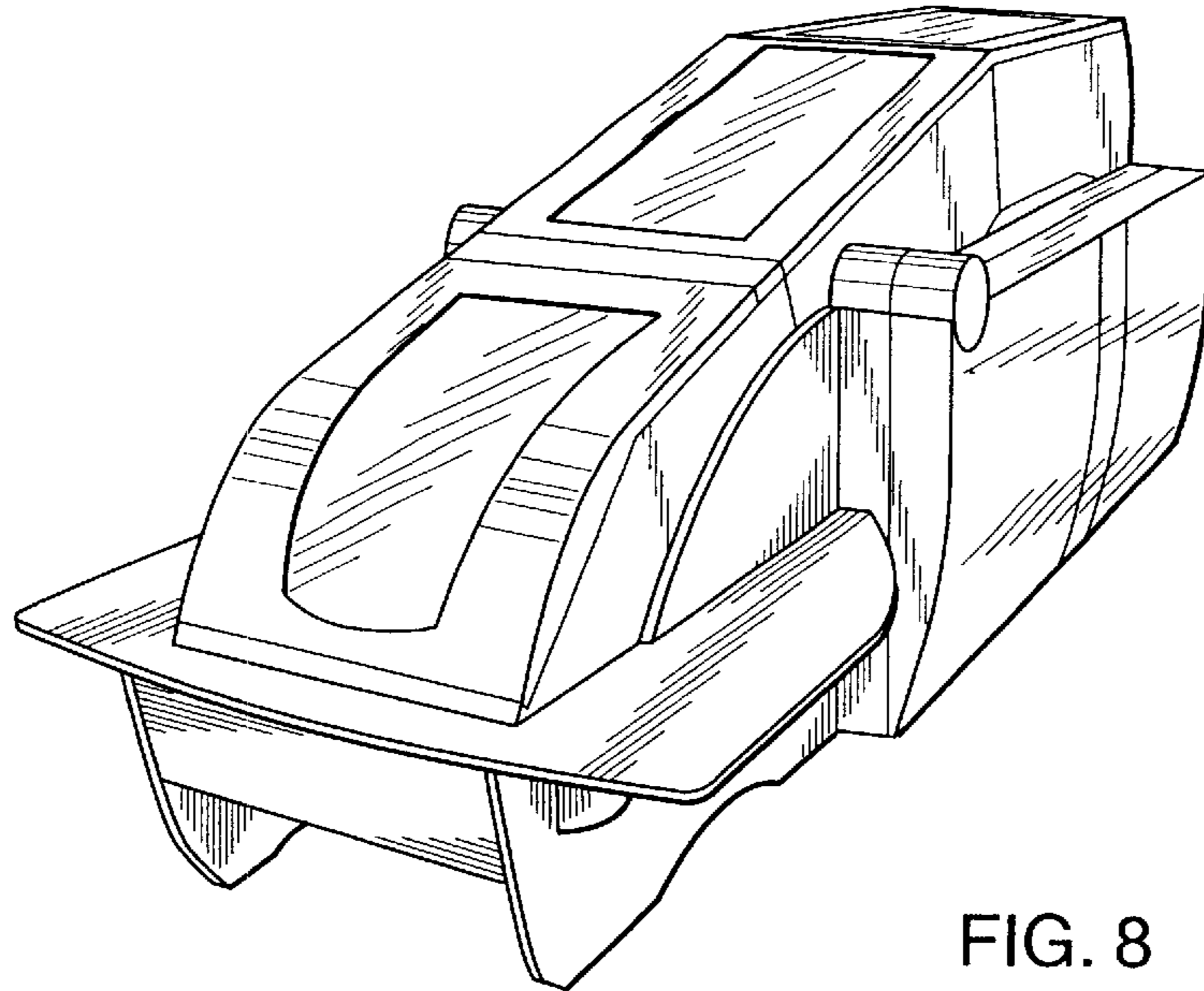


FIG. 8

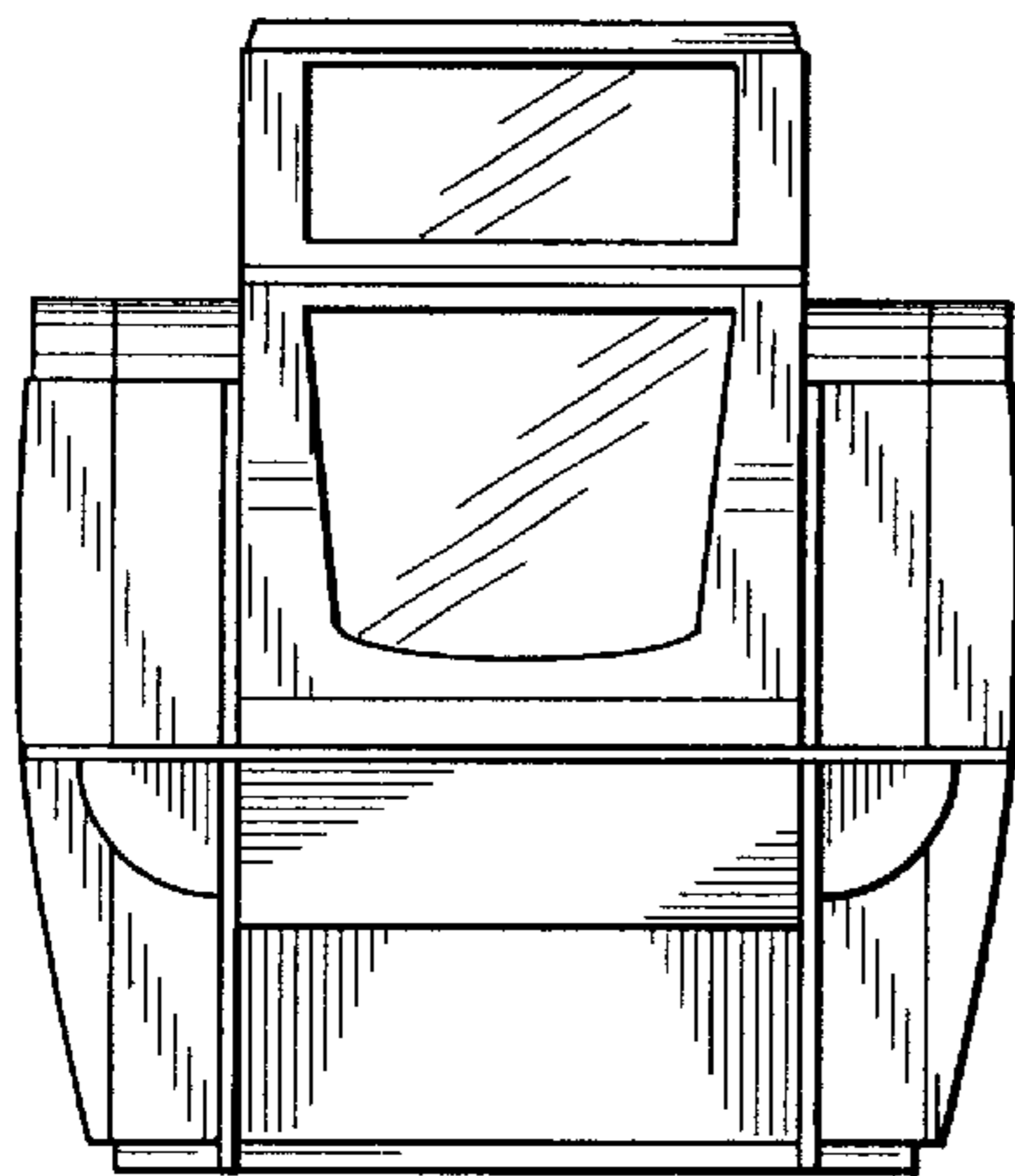


FIG. 9

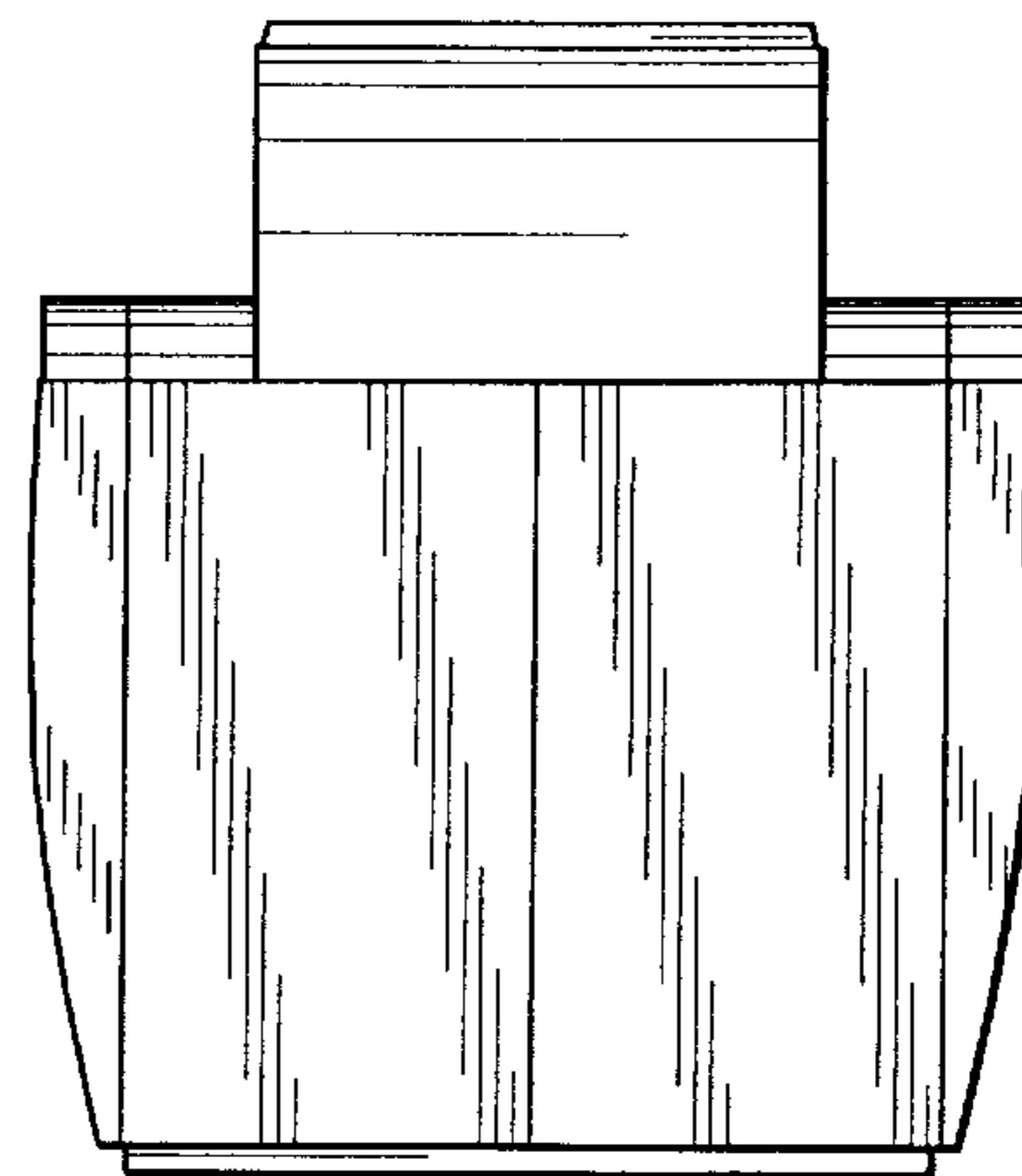


FIG. 10

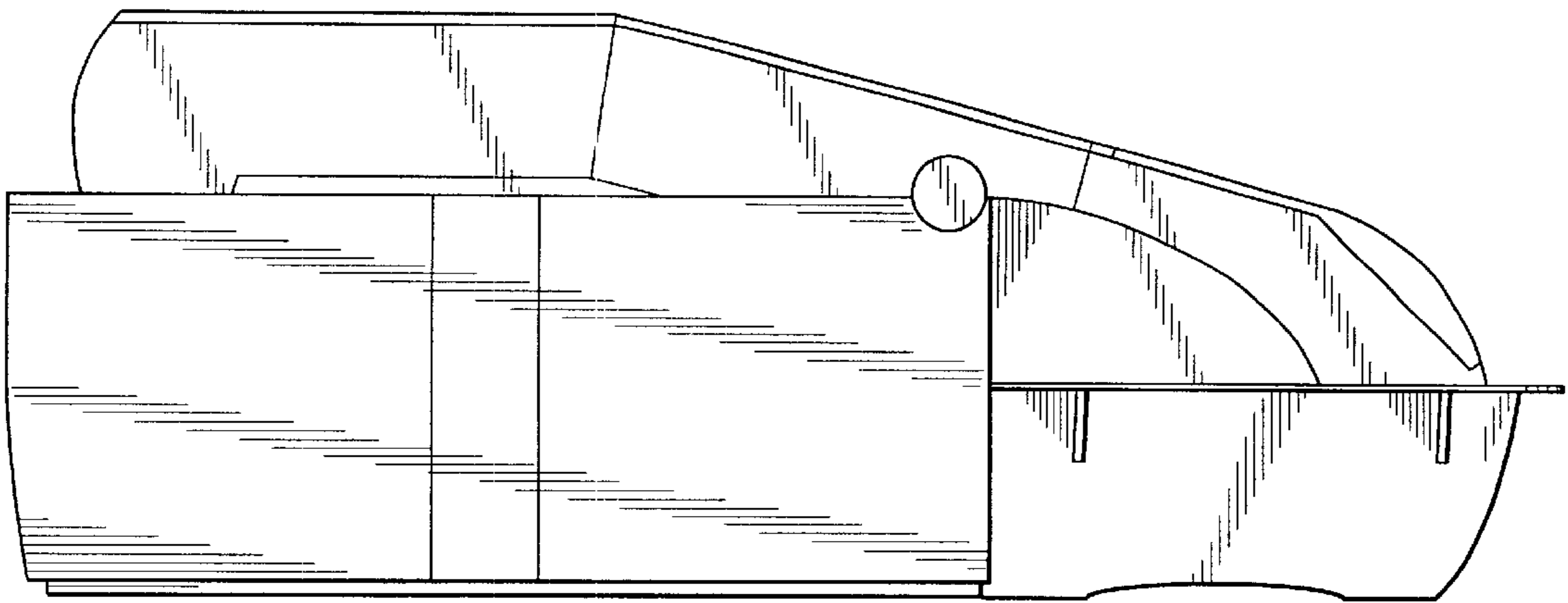


FIG. 11

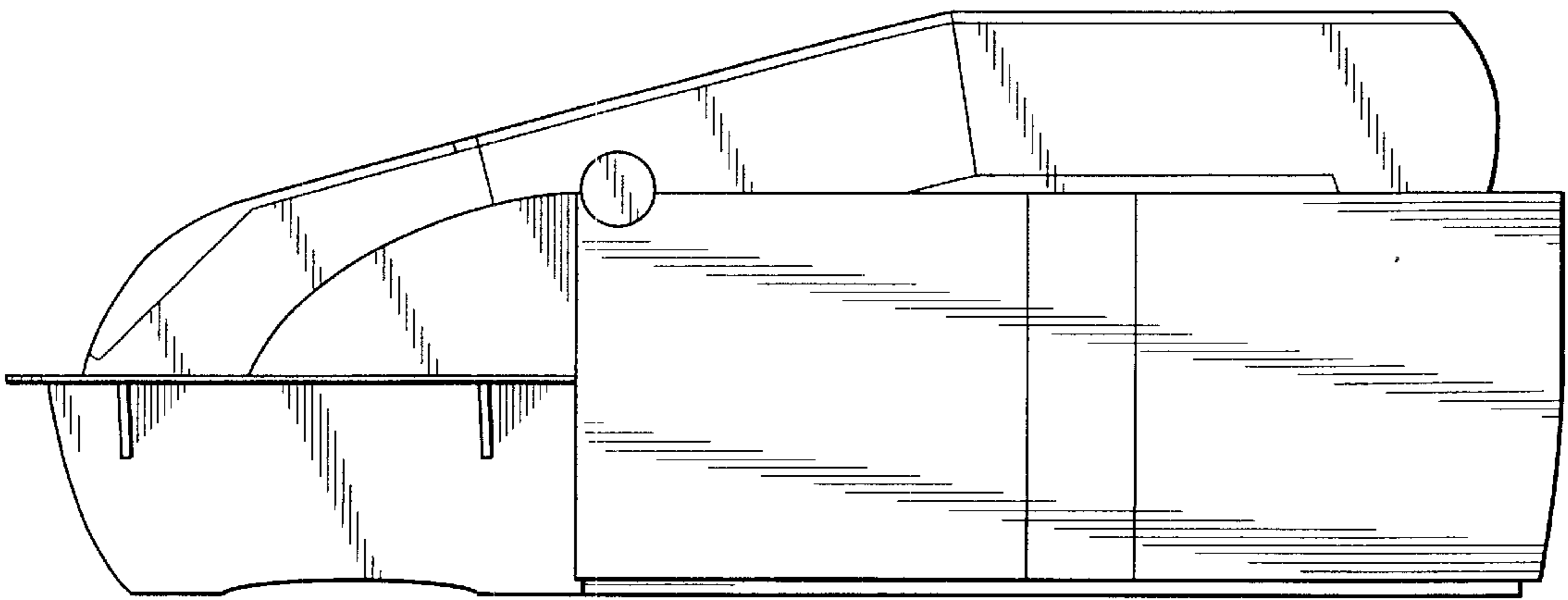


FIG. 12

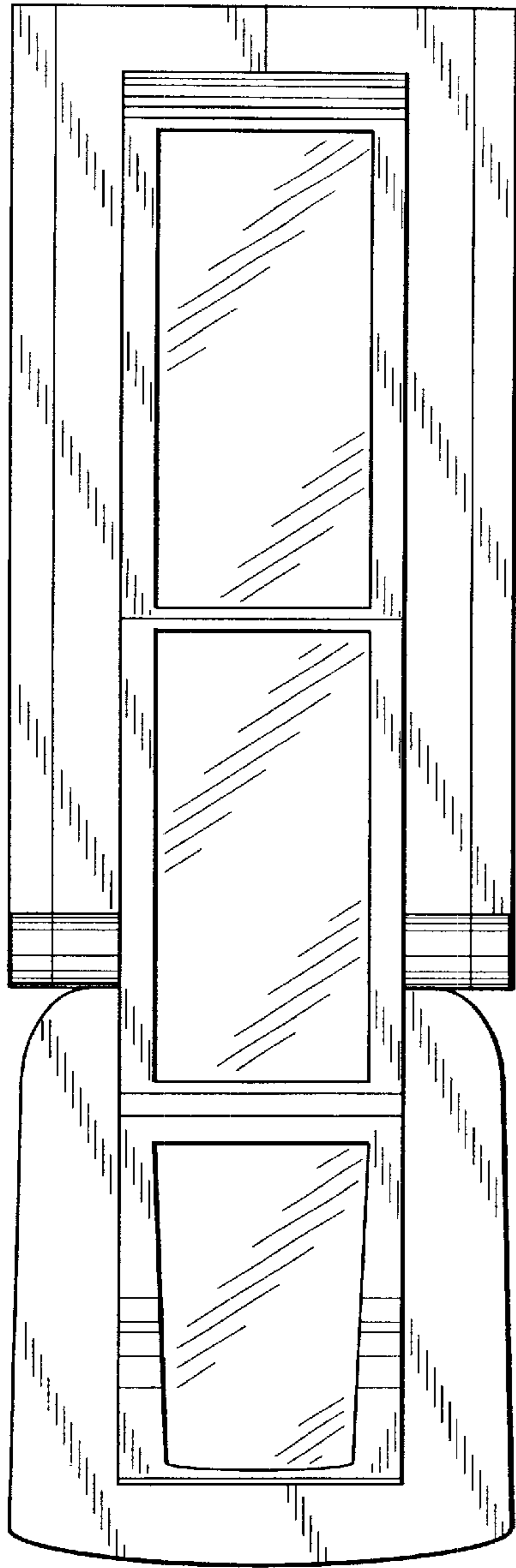


FIG. 13

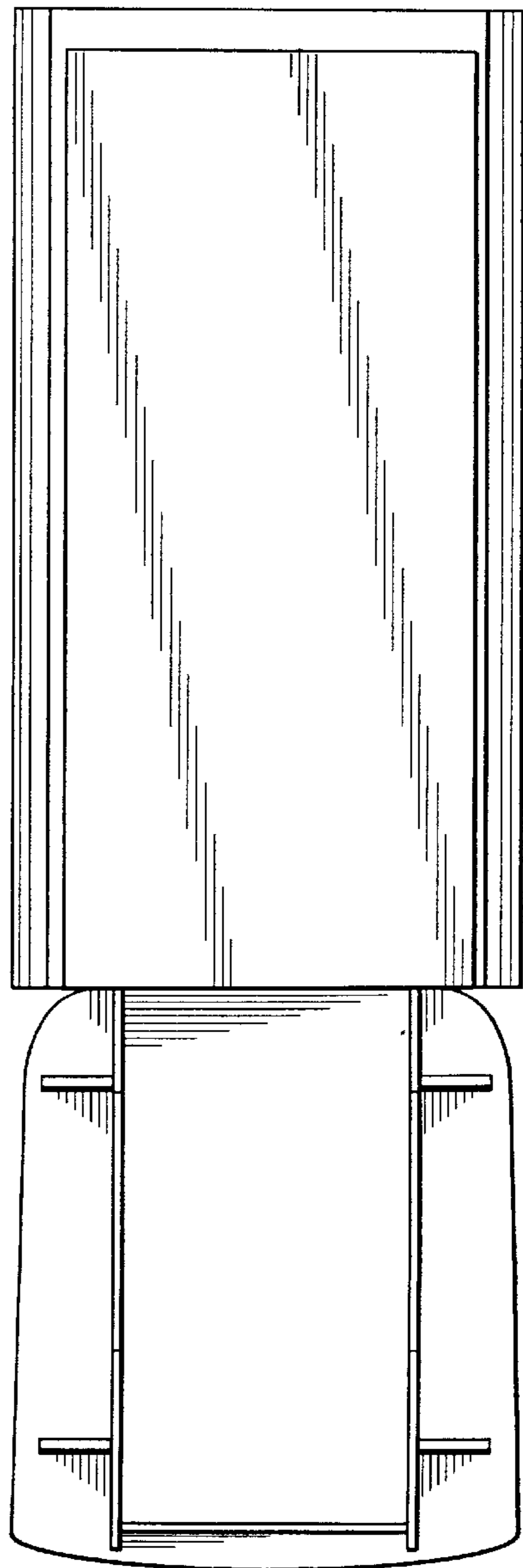


FIG. 14