



US00D454361S

(12) **United States Design Patent**  
**Saeki et al.**

(10) **Patent No.:** **US D454,361 S**  
(45) **Date of Patent:** **\*\* Mar. 12, 2002**

(54) **VIDEO PROJECTOR**

(75) Inventors: **Taisuke Saeki; Harumi Sakamoto;**  
**Yasutaka Shimamoto**, all of  
Tochigi-ken (JP)

(73) Assignee: **Sharp Kabushiki Kaisha**, Osaka (JP)

(\*\*) Term: **14 Years**

(21) Appl. No.: **29/145,609**

(22) Filed: **Jul. 27, 2001**

(30) **Foreign Application Priority Data**

Jan. 29, 2001 (JP) ..... 2000-001712

(51) **LOC (7) Cl.** ..... **16-02**

(52) **U.S. Cl.** ..... **D16/231**

(58) **Field of Search** ..... D16/205, 208,  
D16/221, 225, 230, 231, 234; D21/514;  
352/34, 342; 353/115, 119, 122

(56) **References Cited**

**U.S. PATENT DOCUMENTS**

D343,850 S	2/1994	Saeki et al.
D356,103 S	3/1995	Saeki et al.
D364,416 S	11/1995	Saeki et al.
D365,587 S	12/1995	Saeki et al.
D387,795 S	12/1997	Sakamoto
D388,111 S	12/1997	Iida
D391,592 S	3/1998	Sakamoto et al.
D398,321 S	9/1998	Iida

D398,622 S	9/1998	Saeki et al.
D410,020 S	* 5/1999	Adachi ..... D16/231
D412,926 S	8/1999	Saeki et al.
D419,172 S	1/2000	Saeki et al.
D420,031 S	* 2/2000	Yamano ..... D16/230
D420,032 S	* 2/2000	Peng et al. .... D16/231
D420,691 S	* 2/2000	Adachi ..... D16/231
6,053,616 A	* 4/2000	Fujimori et al. .... 353/119
D428,619 S	7/2000	Saeki et al.
D434,430 S	11/2000	Saeki et al.
D441,387 S	5/2001	Saeki et al.
D449,637 S	* 10/2001	Hayashi et al. .... D16/230

\* cited by examiner

*Primary Examiner*—Adir Aronovich

(74) *Attorney, Agent, or Firm*—Nixon & Vanderhye

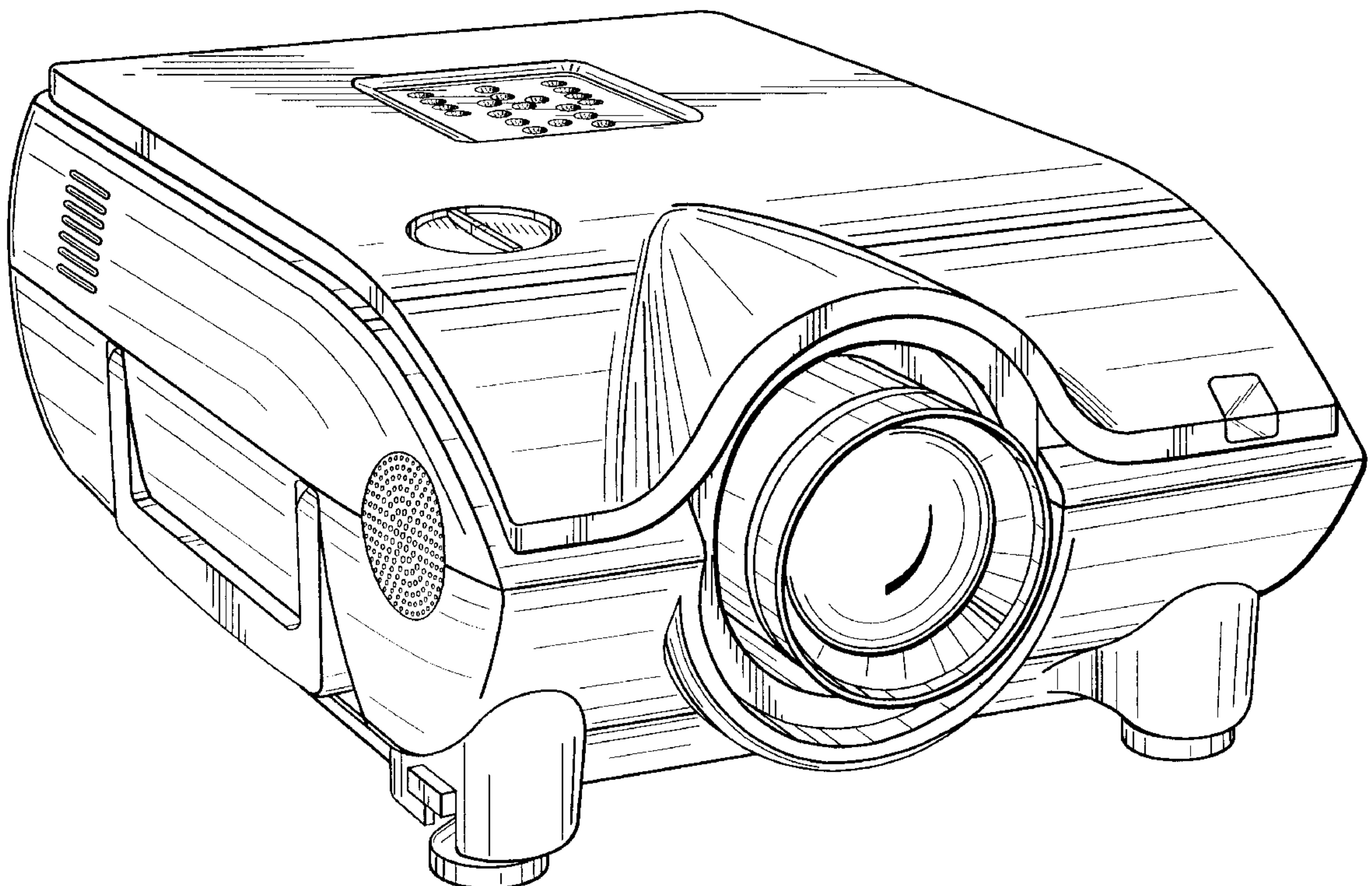
(57) **CLAIM**

The ornamental design for a video projector, as shown and described.

**DESCRIPTION**

FIG. 1 is a top, front and left side perspective view of a video projector according to our design;  
FIG. 2 is a top plan view thereof;  
FIG. 3 is a bottom plan view thereof;  
FIG. 4 is a front elevational view thereof;  
FIG. 5 is a rear elevational view thereof;  
FIG. 6 is a right side elevational view thereof; and,  
FIG. 7 is a left side elevational view thereof.

**1 Claim, 7 Drawing Sheets**



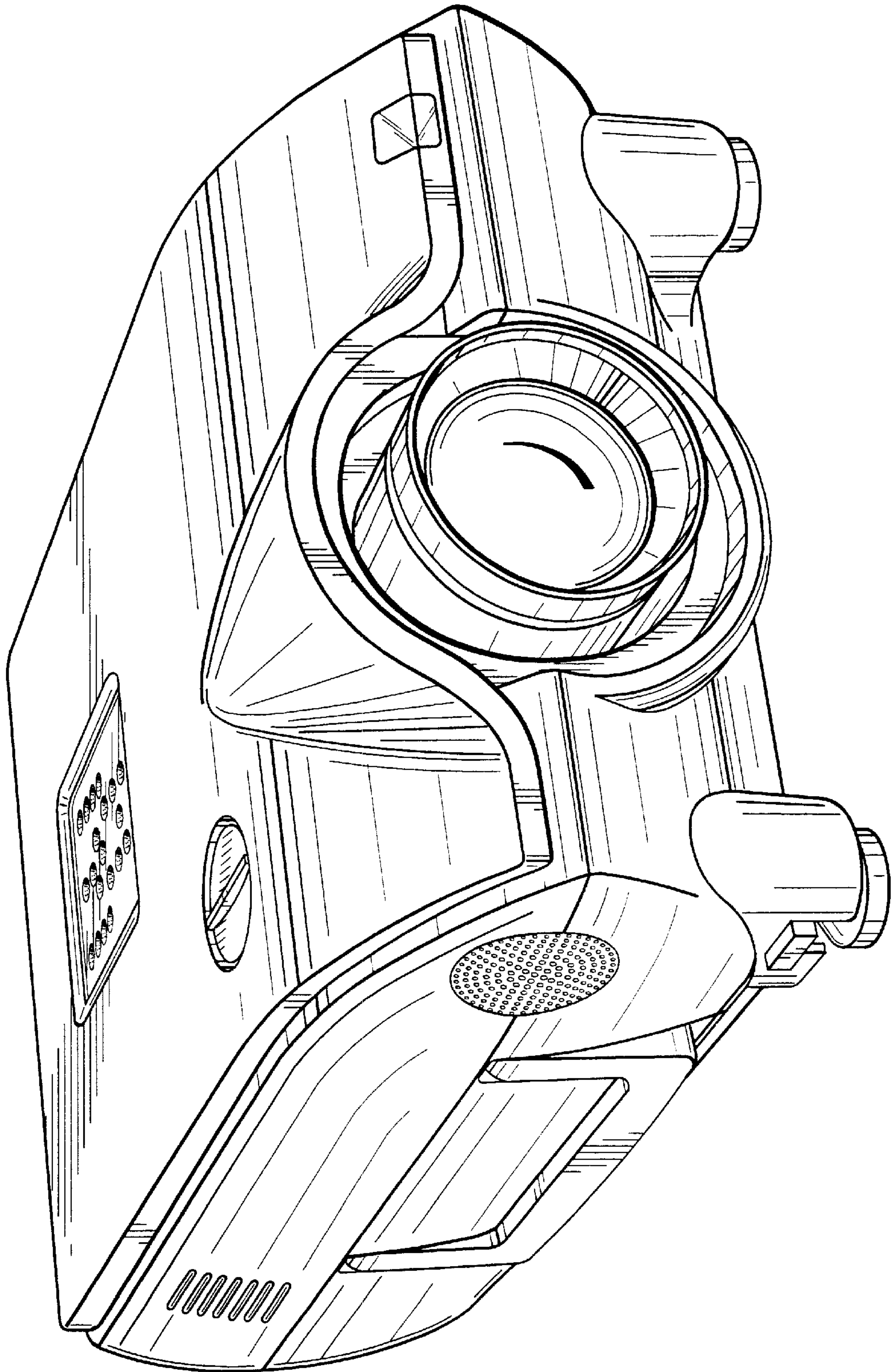


Fig. 1

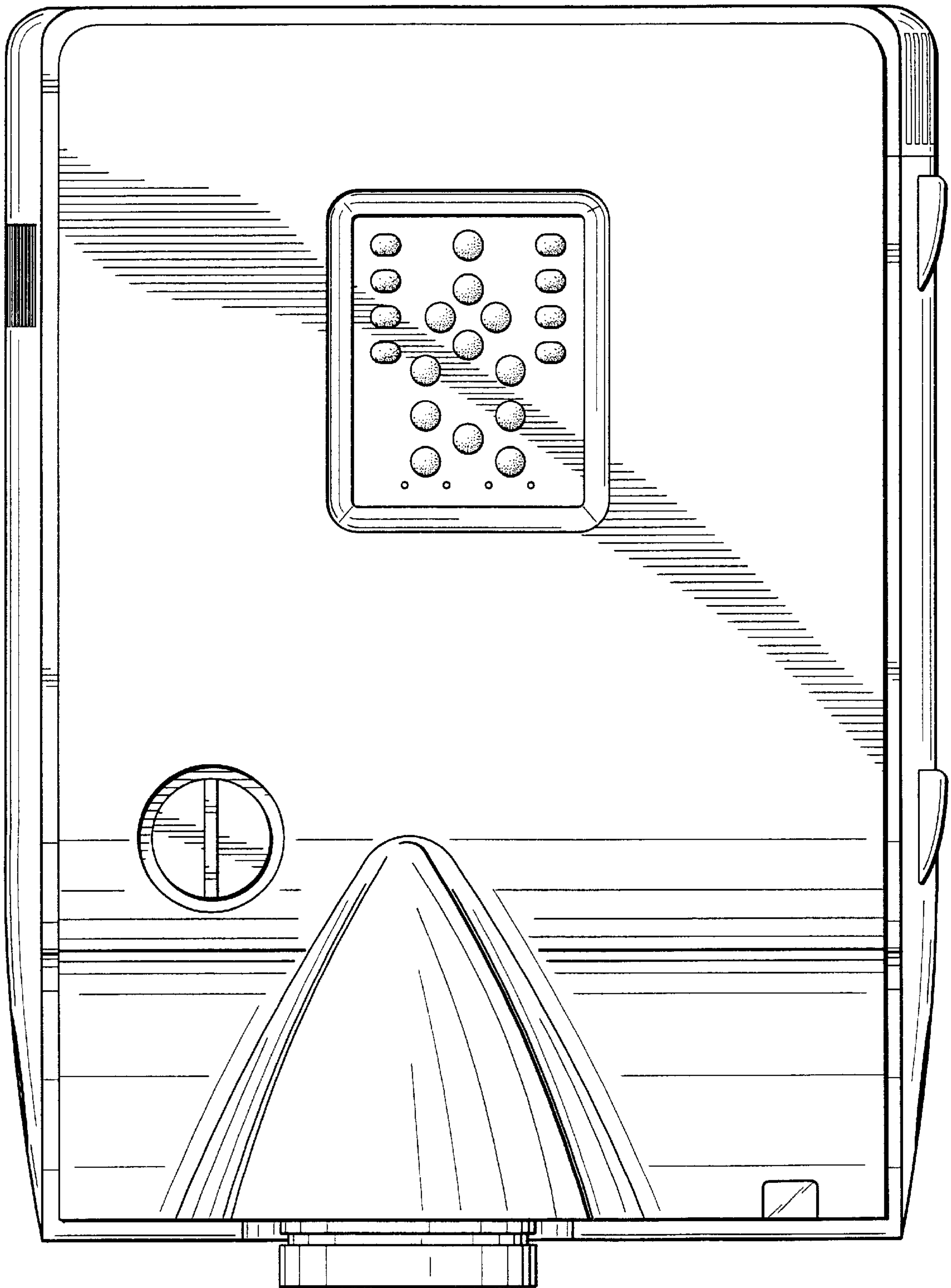


Fig.2



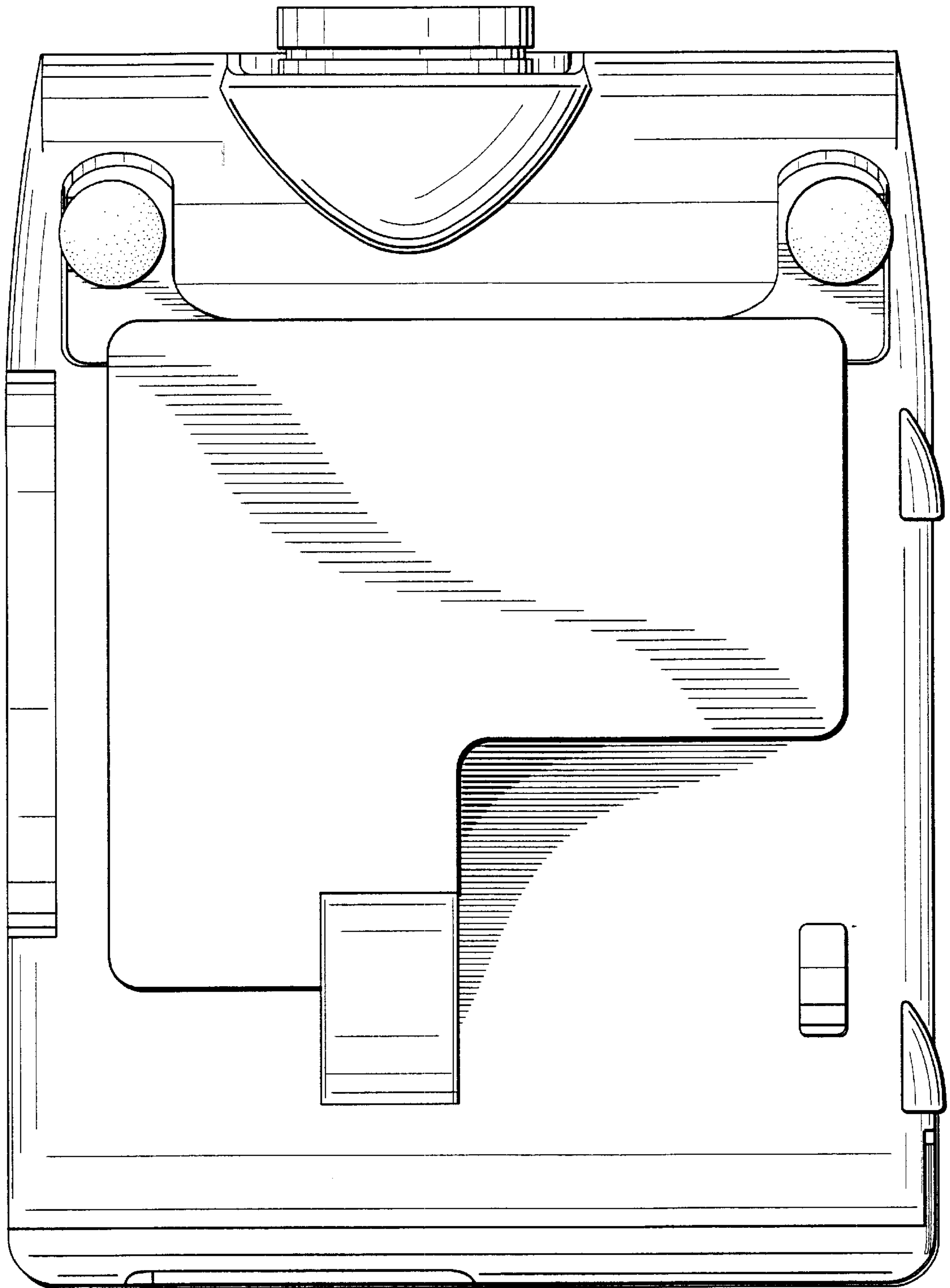


Fig.3

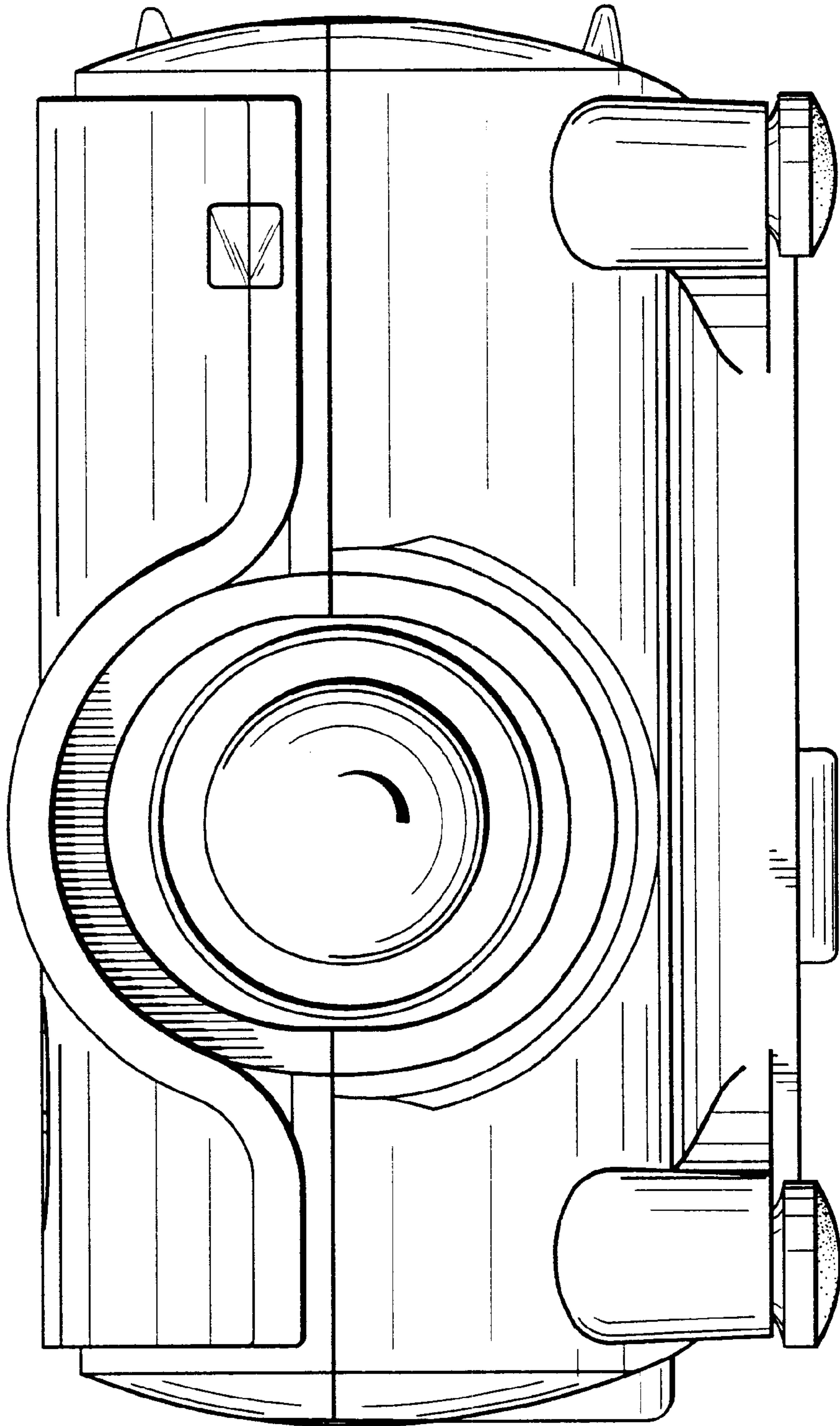


Fig.4

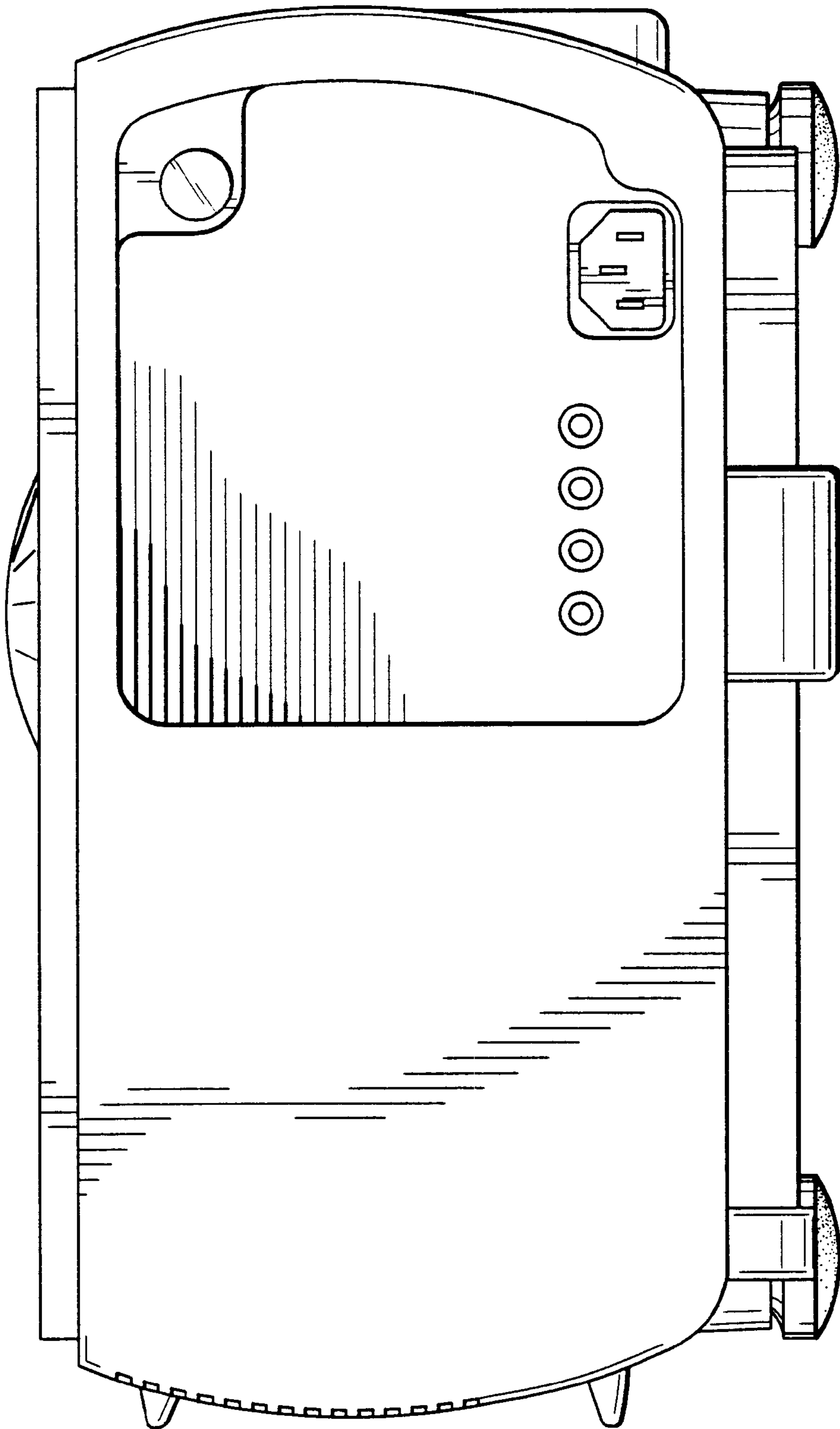


Fig. 5

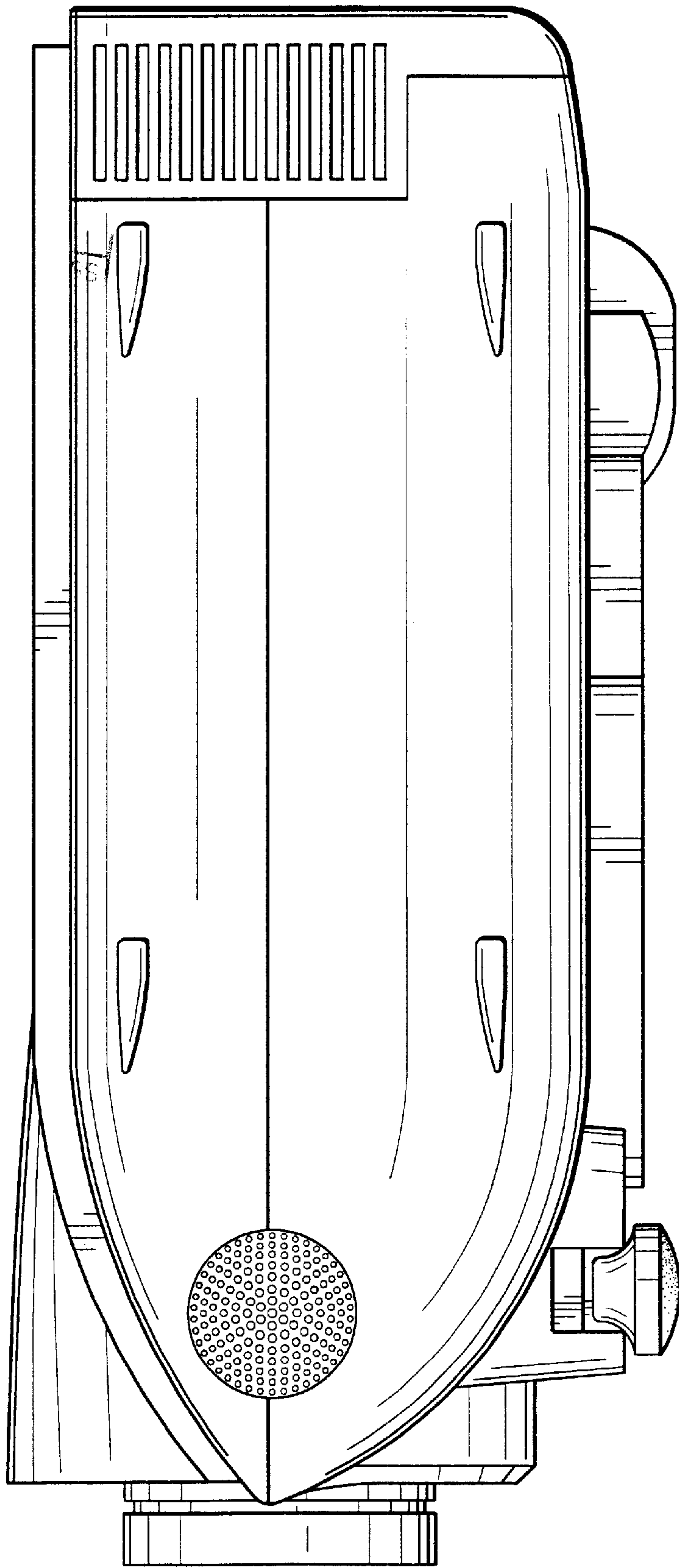


Fig.6

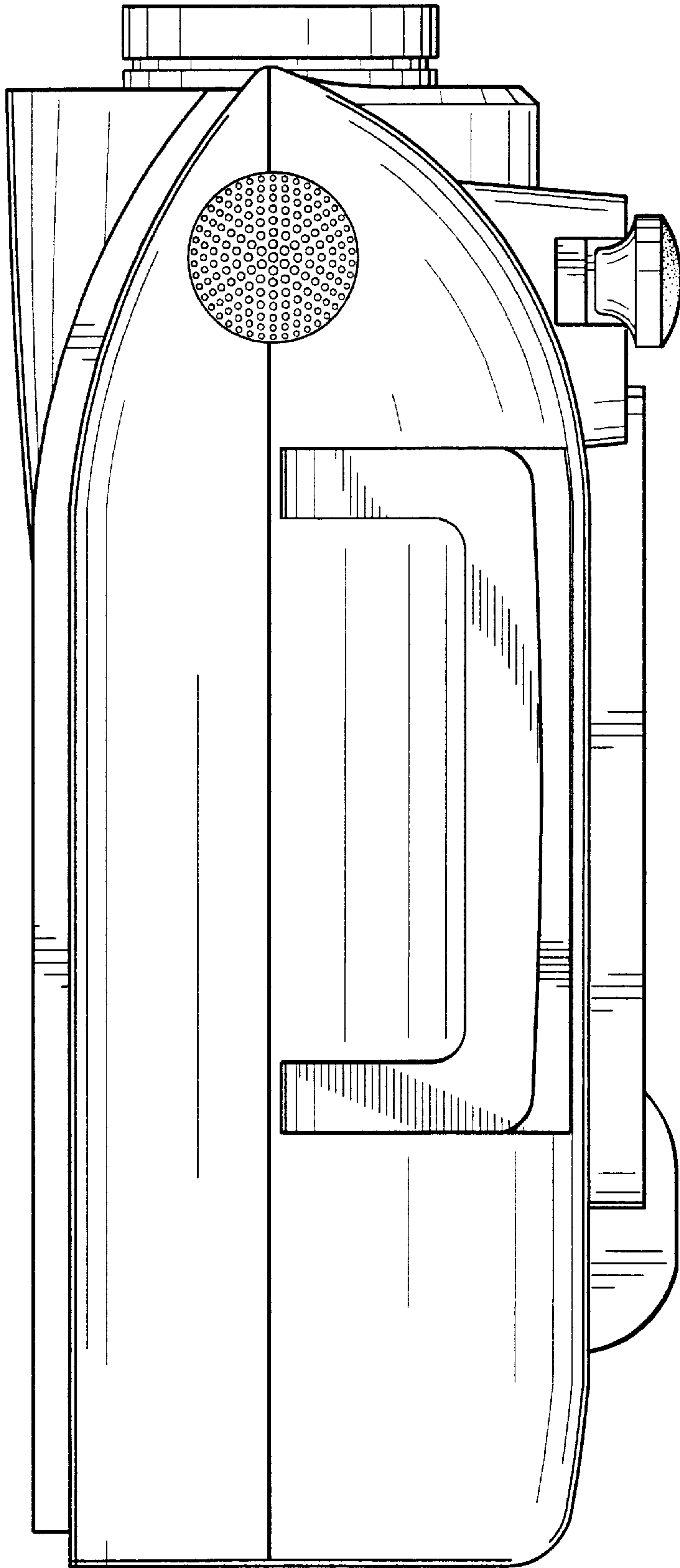


Fig.7