



US00D454358S

(12) **United States Design Patent**
Davis et al.

(10) **Patent No.:** **US D454,358 S**
(45) **Date of Patent:** **** Mar. 12, 2002**

(54) **INFLATOR HOUSING**
(75) Inventors: **Richard M. Davis; Rowland W. Kanner**, both of Guntersville, AL (US)

D358,397 S * 5/1995 Phillips et al. D15/7
D375,315 S * 11/1996 Paul-Johansson D15/7
5,713,242 A 2/1998 Kanner et al.
D392,650 S * 3/1998 Zarnowitz D15/7

(73) Assignee: **Atrion Medical Products, Inc.**, Arab, AL (US)

FOREIGN PATENT DOCUMENTS

WO WO9217221 10/1992

(**) Term: **14 Years**

* cited by examiner

(21) Appl. No.: **29/138,747**

Primary Examiner—Ralf Seifert

(22) Filed: **Mar. 19, 2001**

(74) *Attorney, Agent, or Firm*—Trexler, Bushnell, Giangiorgi, Blackstone & Marr, Ltd.

(51) **LOC (7) Cl.** **15-02**

(52) **U.S. Cl.** **D15/7**

(58) **Field of Search** D15/7-9.1; D23/231;
609/98-100, 118

(57) **CLAIM**

The ornamental design for a inflator housing, as shown and described.

(56) **References Cited**

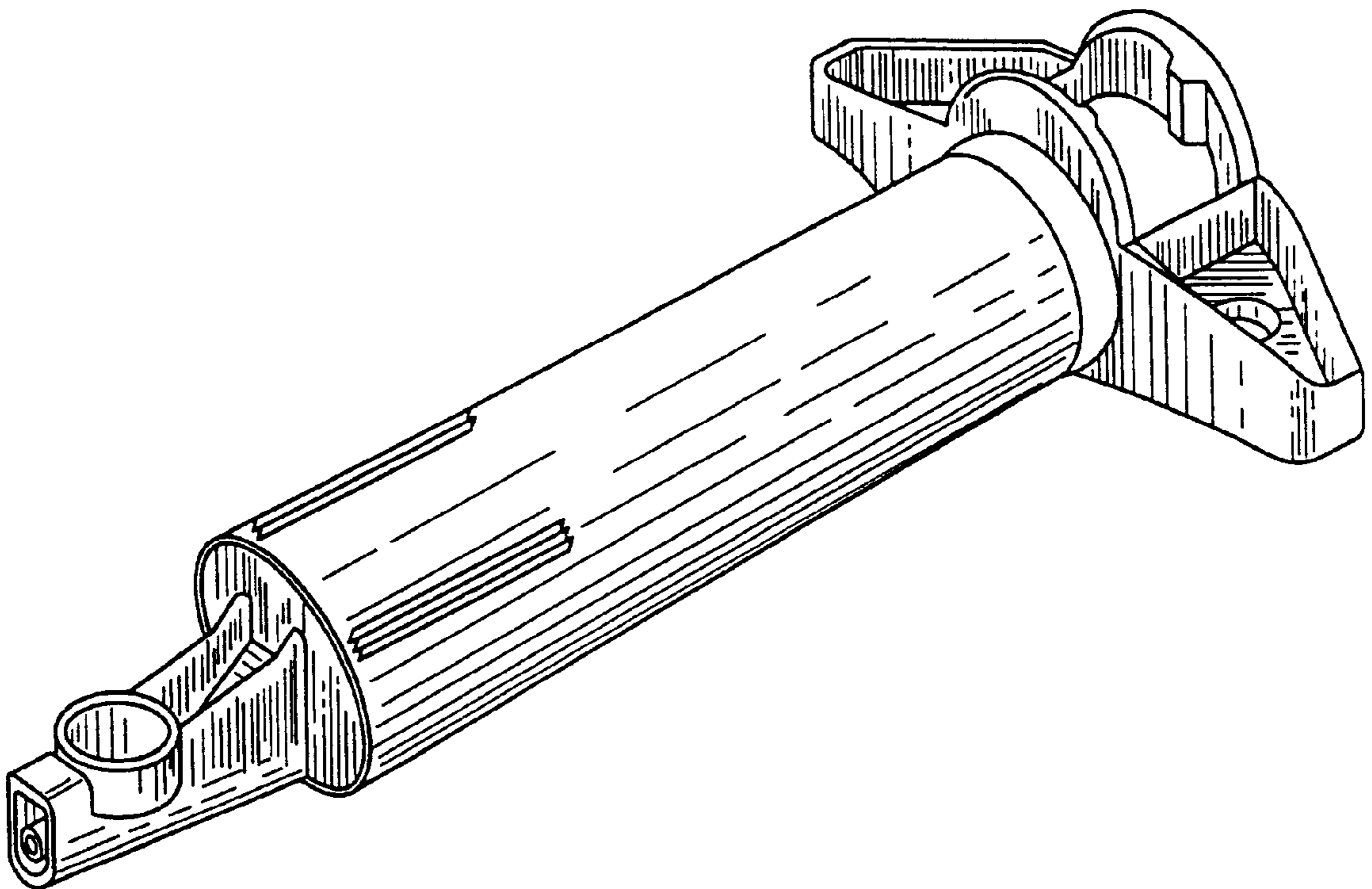
DESCRIPTION

U.S. PATENT DOCUMENTS

4,370,982 A 2/1983 Reilly
4,723,938 A 2/1988 Goodin et al.
4,838,864 A 6/1989 Peterson
5,168,757 A 12/1992 Rabenau et al.
D342,263 S * 12/1993 Harrell, Jr. D15/7
D343,397 S * 1/1994 Wang D15/7
D348,677 S * 7/1994 Phillips et al. D15/7
D351,896 S * 10/1994 Sundheim et al. D23/231

FIG. 1 is a front, right side, top perspective view of the inflator housing showing the design;
FIG. 2 is a front elevational view thereof;
FIG. 3 is a rear elevational view thereof;
FIG. 4 is a right side elevational view thereof;
FIG. 5 is a top plan view thereof;
FIG. 6 is a left side elevational view thereof; and,
FIG. 7 is a bottom plan view thereof.

1 Claim, 3 Drawing Sheets



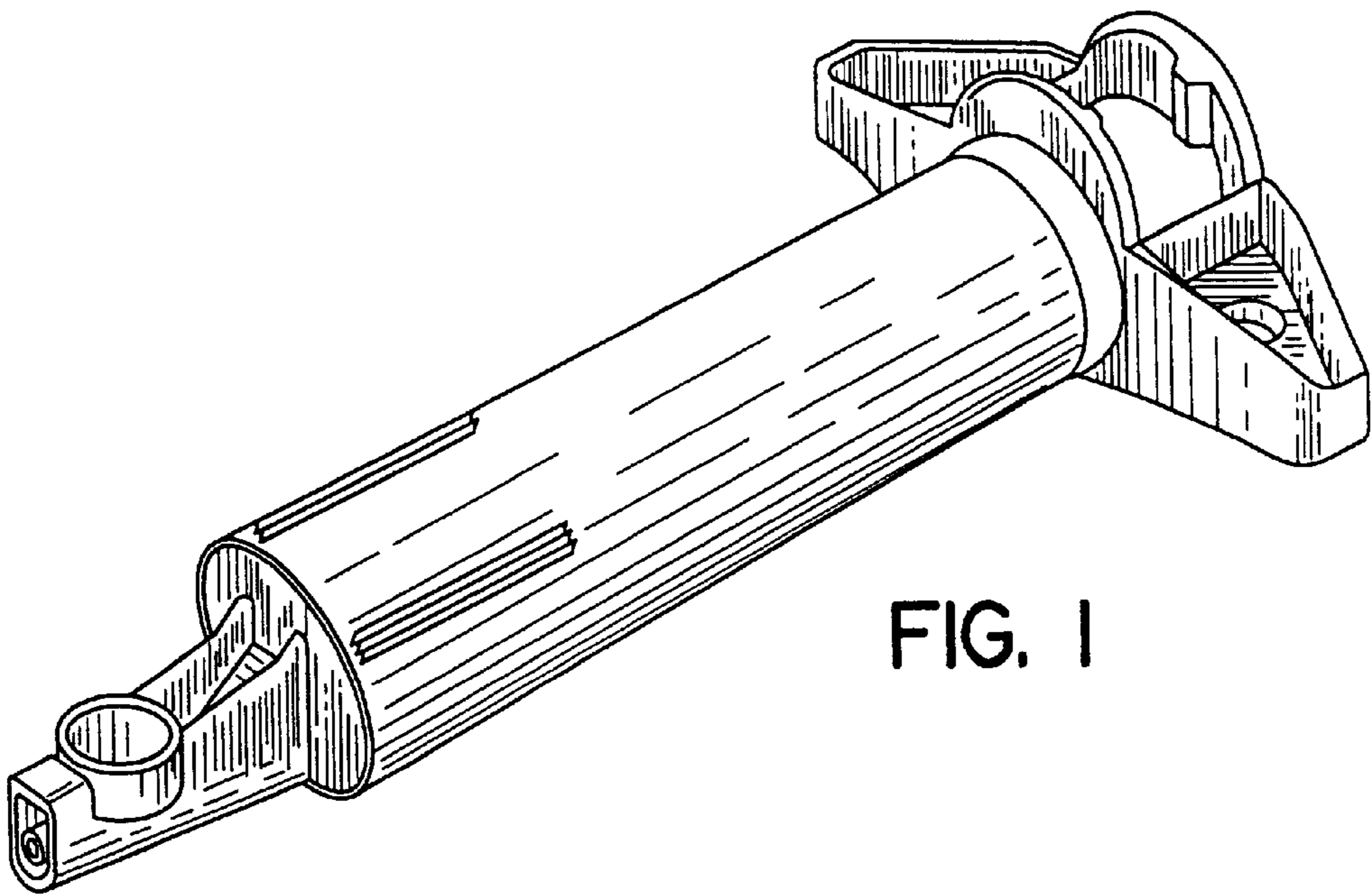


FIG. 1

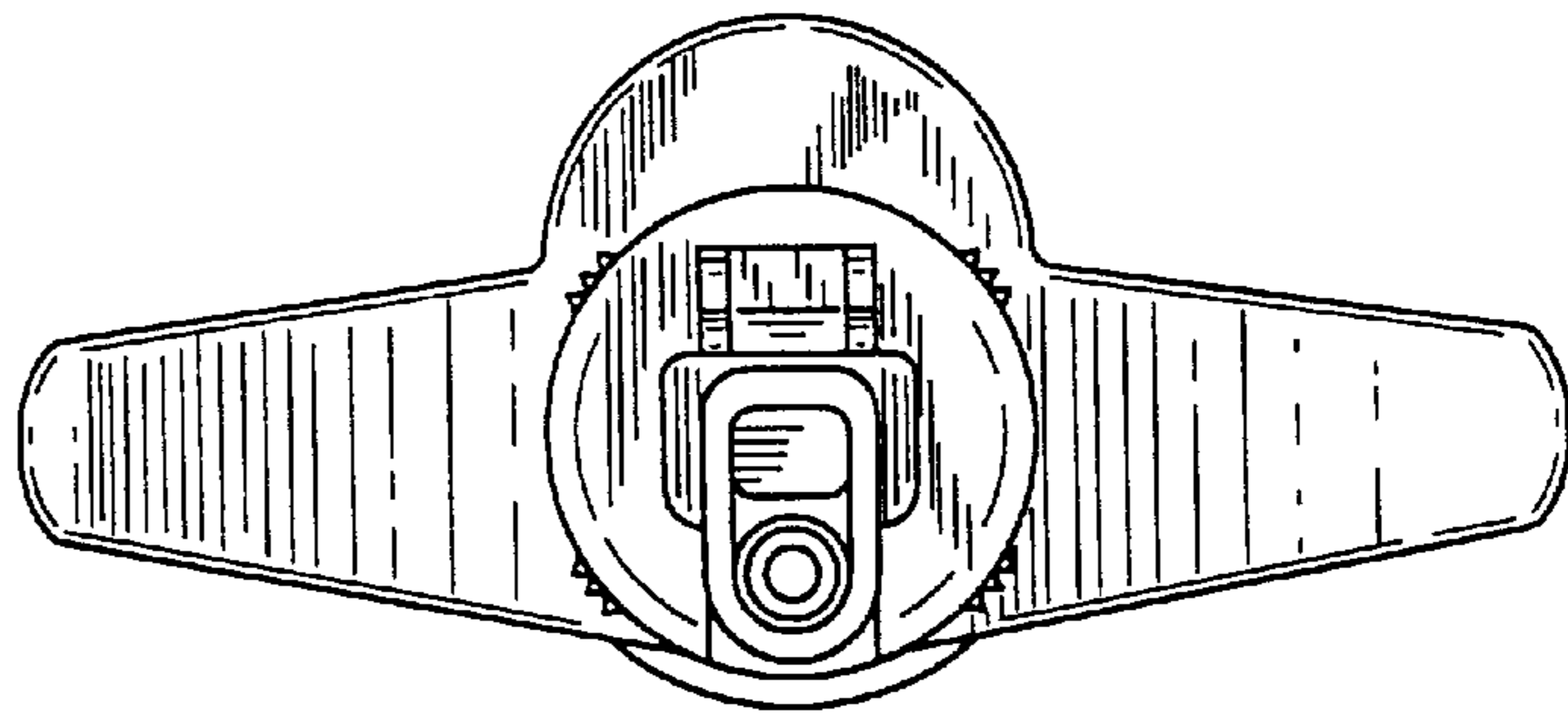


FIG. 2

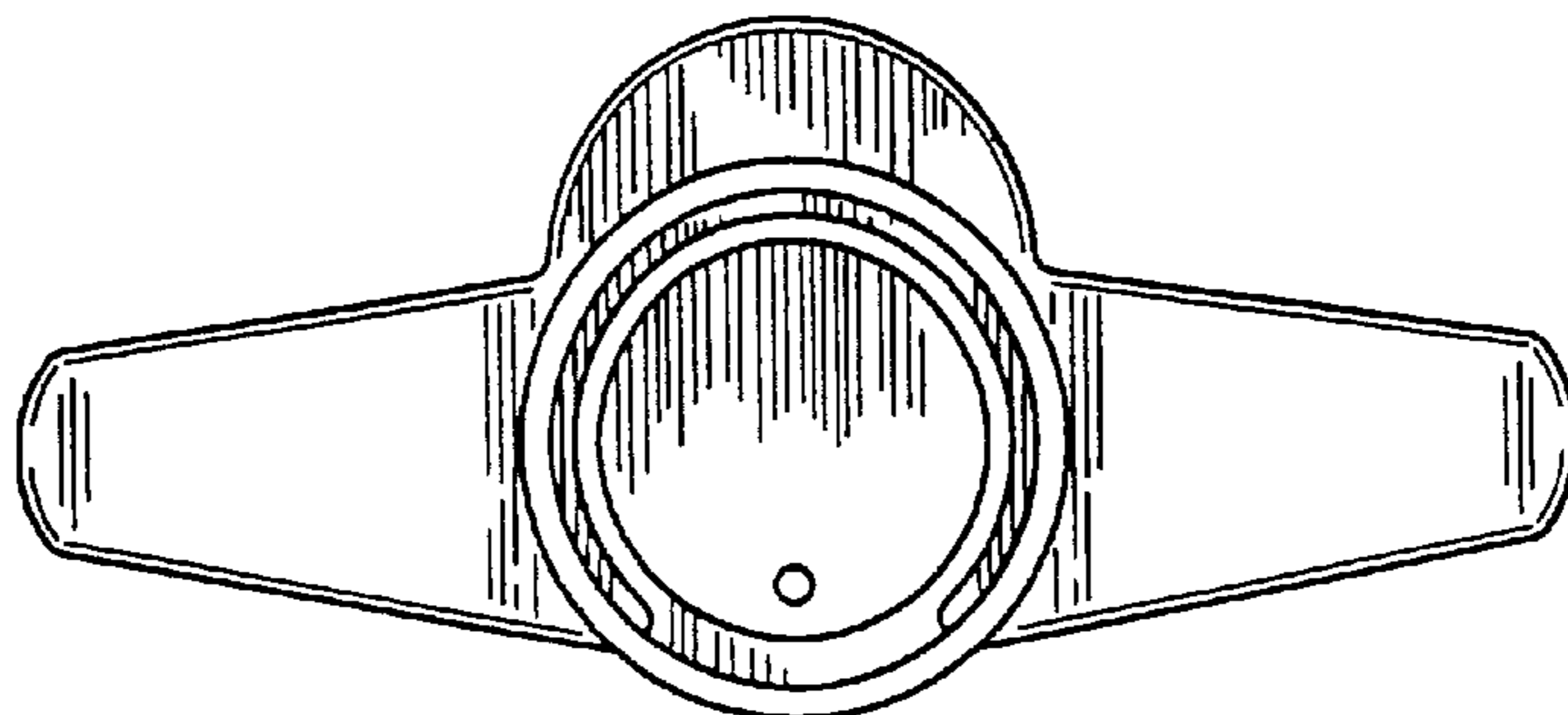


FIG. 3

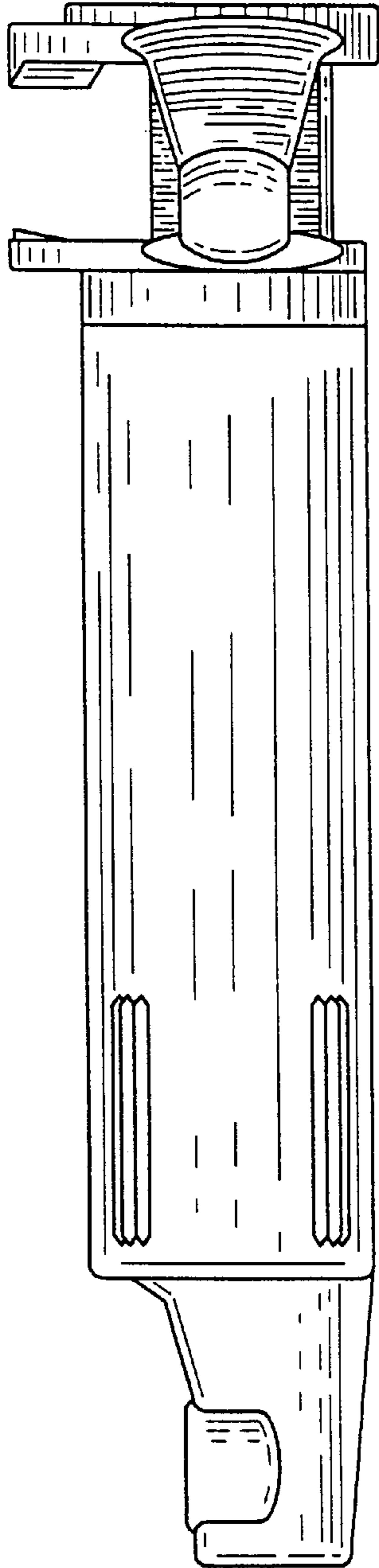


FIG. 4

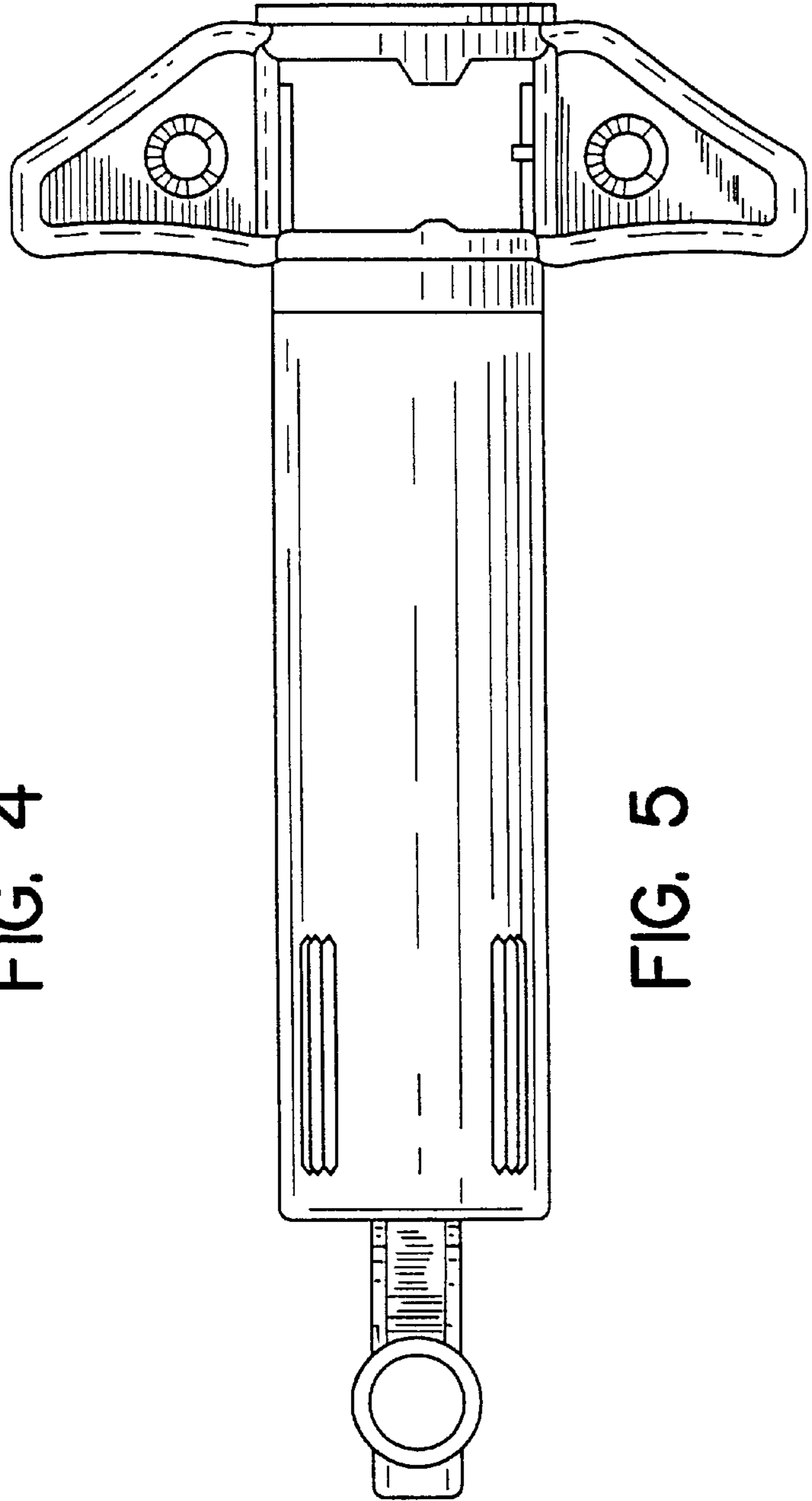


FIG. 5

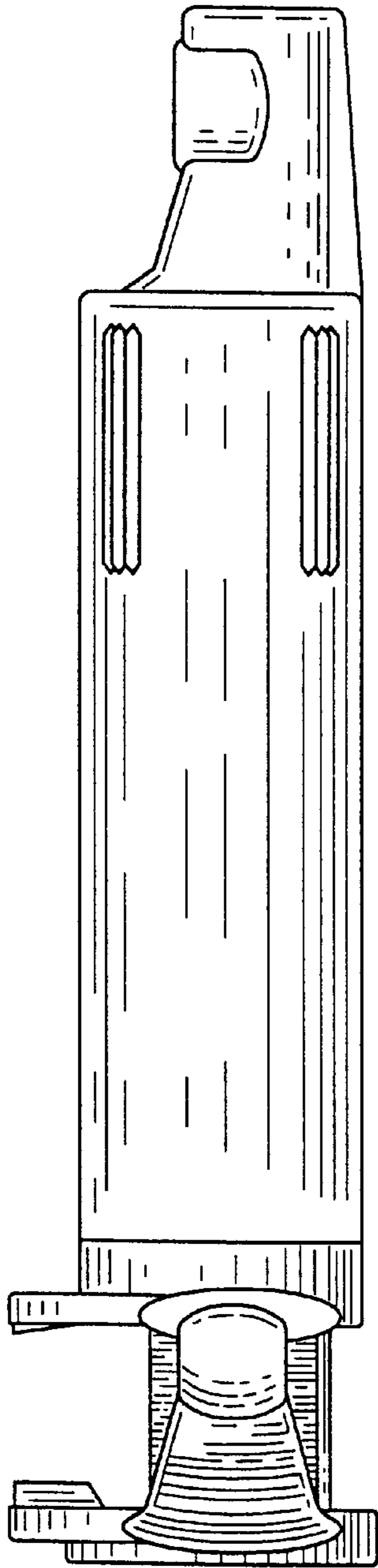


FIG. 6

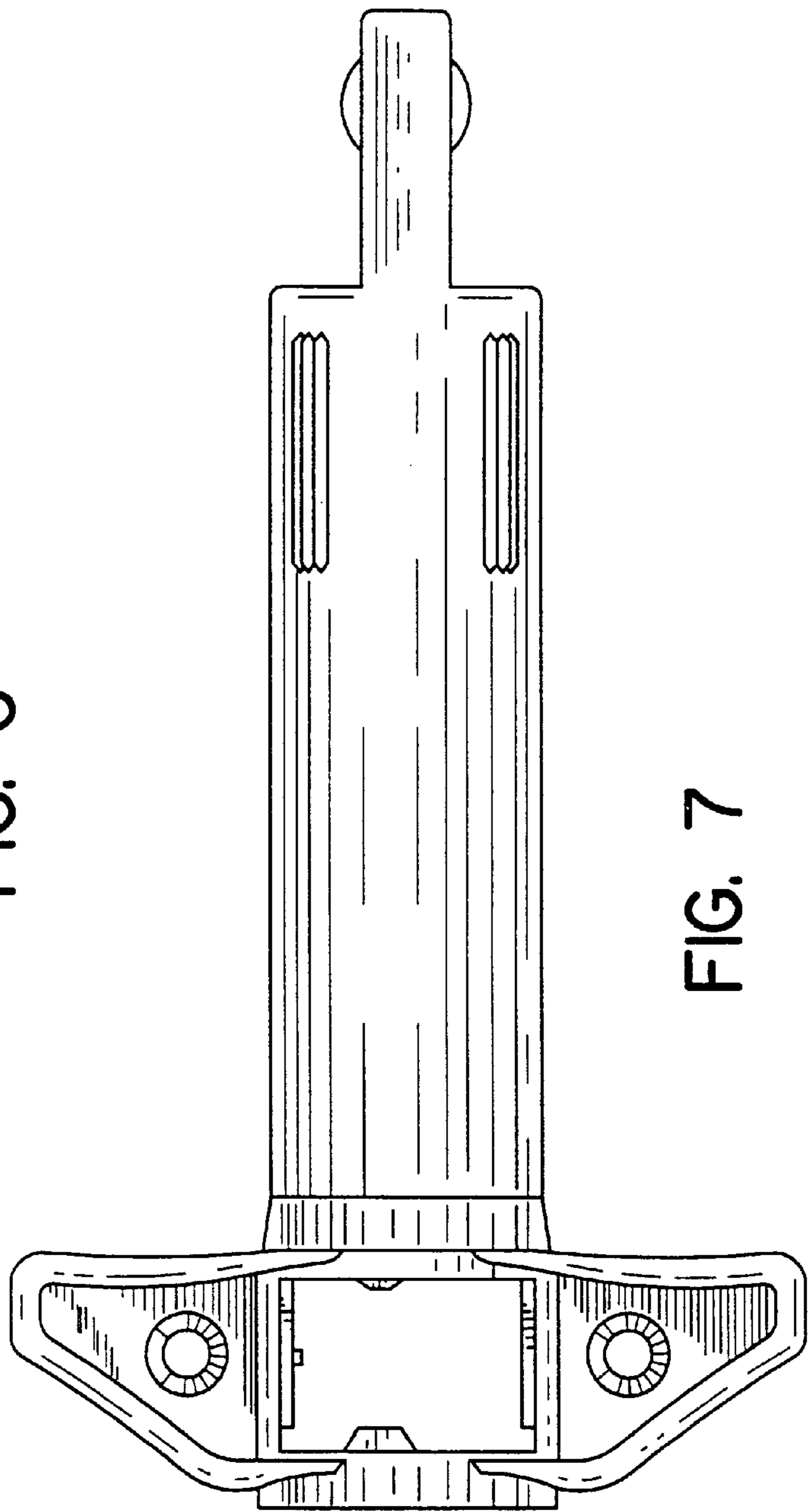


FIG. 7