



US00D454357S

(12) **United States Design Patent**
Diels

(10) **Patent No.:** **US D454,357 S**

(45) **Date of Patent:** **** Mar. 12, 2002**

(54) **CENTRIFUGAL TRASH PUMP**

(75) **Inventor:** **Chad A. Diels**, Hartford, WI (US)

(73) **Assignee:** **Wacker Corporation**, Menomonee Falls, WI (US)

(**) **Term:** **14 Years**

(21) **Appl. No.:** **29/127,956**

(22) **Filed:** **Aug. 14, 2000**

(51) **LOC (7) Cl.** **15-02**

(52) **U.S. Cl.** **D15/7**

(58) **Field of Search** D15/7-9; 417/234,
417/360, 44.9, 362; 415/56.5; 248/675;
92/58.1; 222/3; 137/899.4

(56) **References Cited**

U.S. PATENT DOCUMENTS

2,461,925	A	2/1949	Rupp	
2,945,448	A	7/1960	Frederick	
D243,282	S	* 2/1977	Burenga	D15/9
4,052,133	A	10/1977	Yeater	
4,129,402	A	12/1978	Eberhardt	
4,419,048	A	12/1983	Pilachowski et al.	
4,844,687	A	7/1989	Korthaus	
4,932,837	A	6/1990	Pymal	
5,324,166	A	6/1994	Elonen et al.	
D373,774	S	* 9/1996	Chen	D15/9
D377,799	S	* 2/1997	Kruzel et al.	D15/7
D384,676	S	* 10/1997	Cyphers et al.	D15/7
D435,048	S	* 12/2000	Breaser et al.	D15/7

OTHER PUBLICATIONS

Wacker Corporation Manual, Pump Principles Selection and Application for Construction Industry.

U.S. application No. 09/711,654; Diels.

* cited by examiner

Primary Examiner—Ralf Seifert

(74) *Attorney, Agent, or Firm*—Boyle Fredrickson Newholm Stein & Gratz S.C.

(57) **CLAIM**

The ornamental design for a centrifugal trash pump, as shown and described.

DESCRIPTION

FIG. 1 is a perspective view of a centrifugal trash pump incorporating an embodiment of my new design and viewed from above, in front of, and to the left of the centrifugal trash pump;

FIG. 2 is a right-side elevation view of the centrifugal trash pump of FIG. 1;

FIG. 3 is a left-side elevation view of the centrifugal trash pump of FIG. 1;

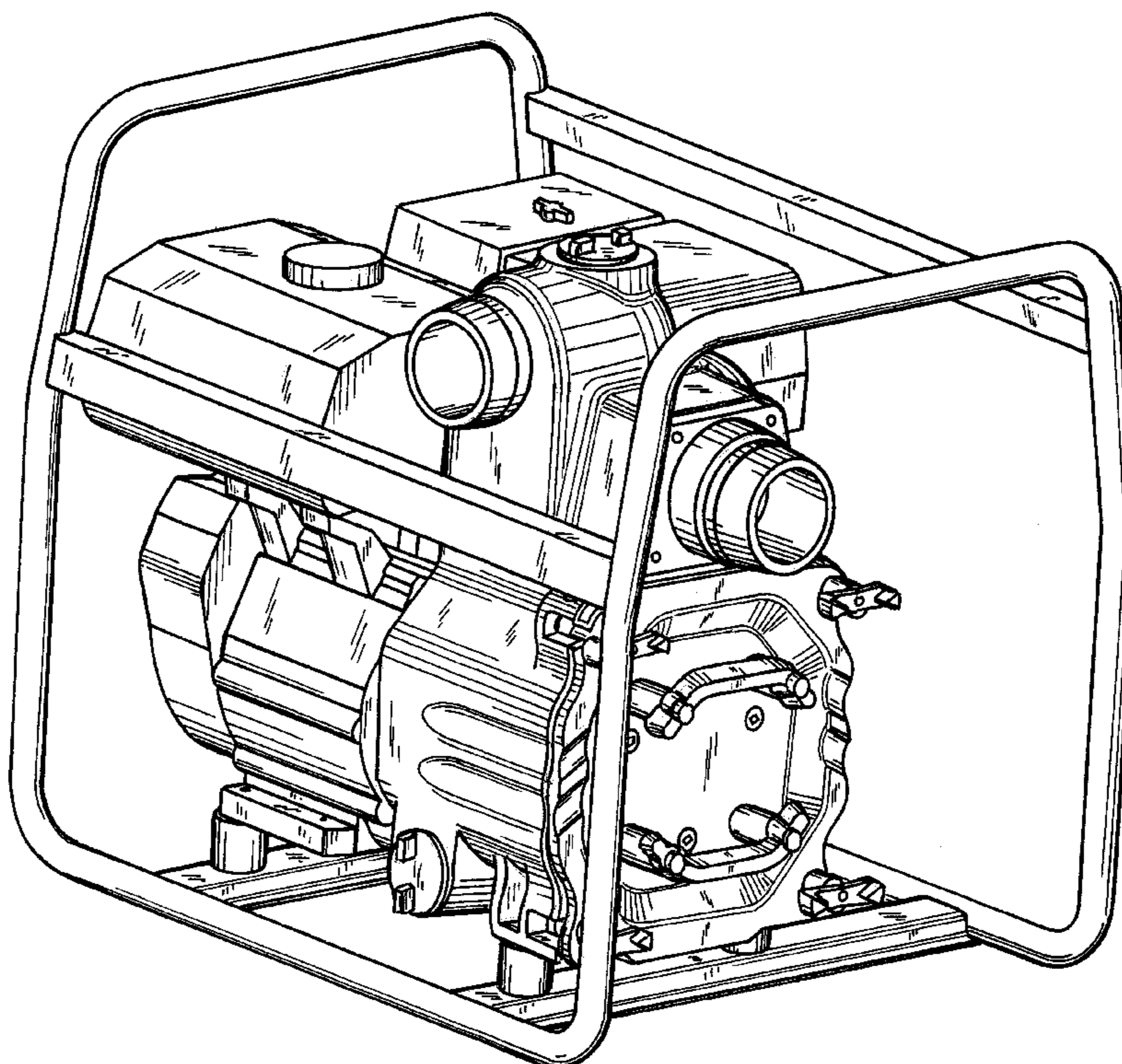
FIG. 4 is a front-side elevation view of the centrifugal trash pump of FIG. 1;

FIG. 5 is a rear-side elevation view of the centrifugal trash pump of FIG. 1;

FIG. 6 is a top plan view of the centrifugal trash pump of FIG. 1; and,

FIG. 7 is a bottom plan view of the centrifugal trash pump of FIG. 1.

1 Claim, 7 Drawing Sheets



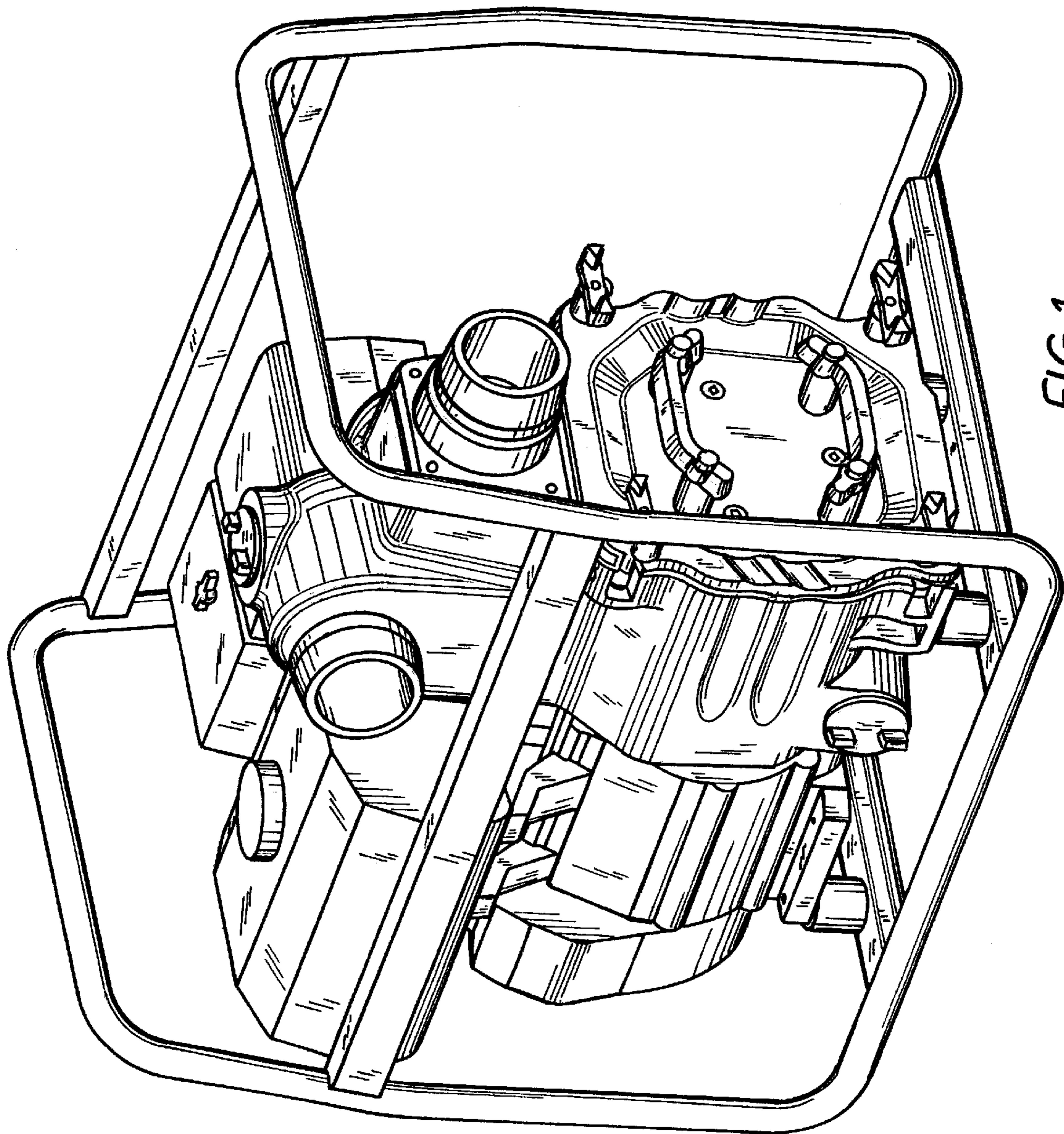


FIG. 1

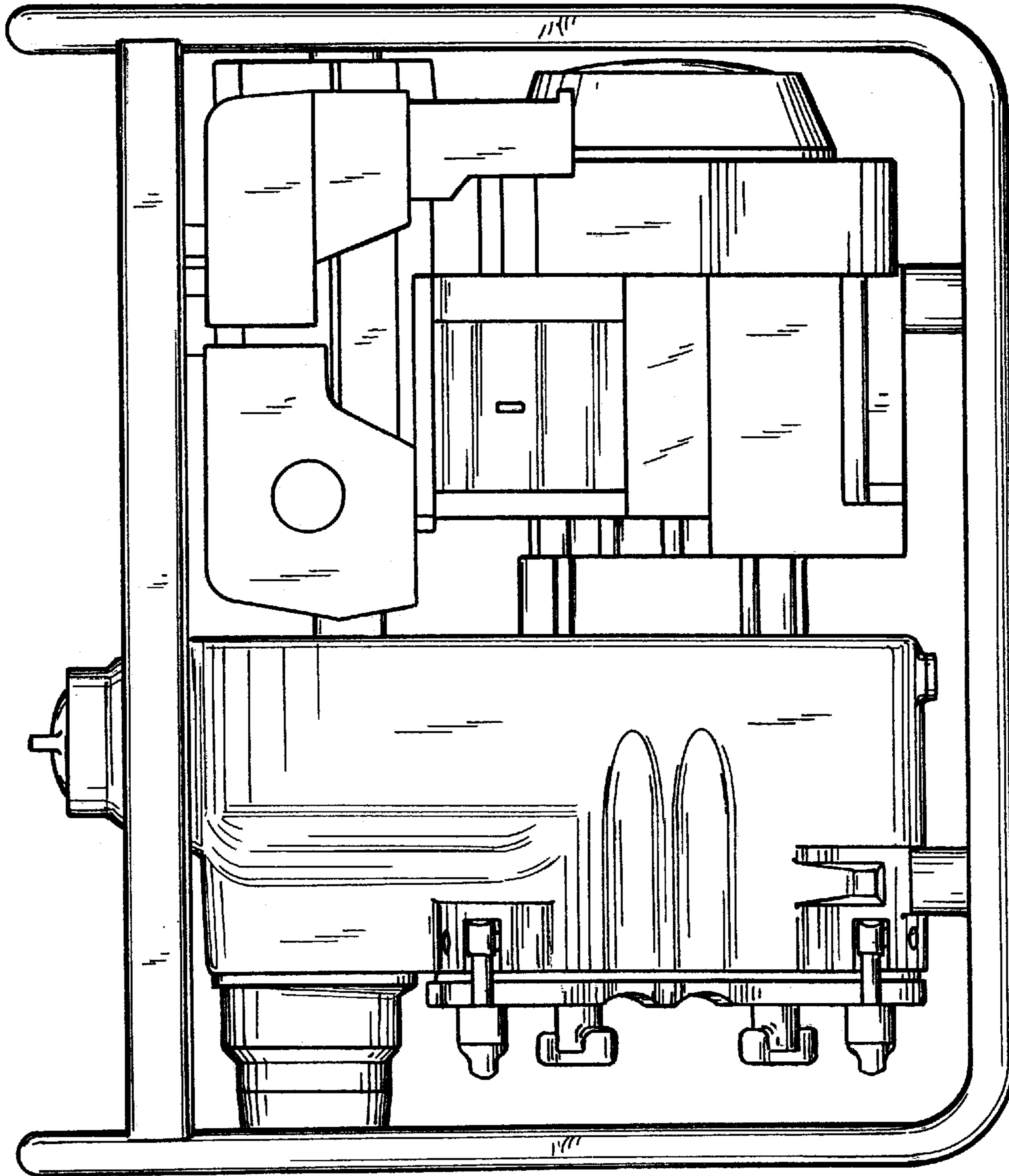


FIG. 2

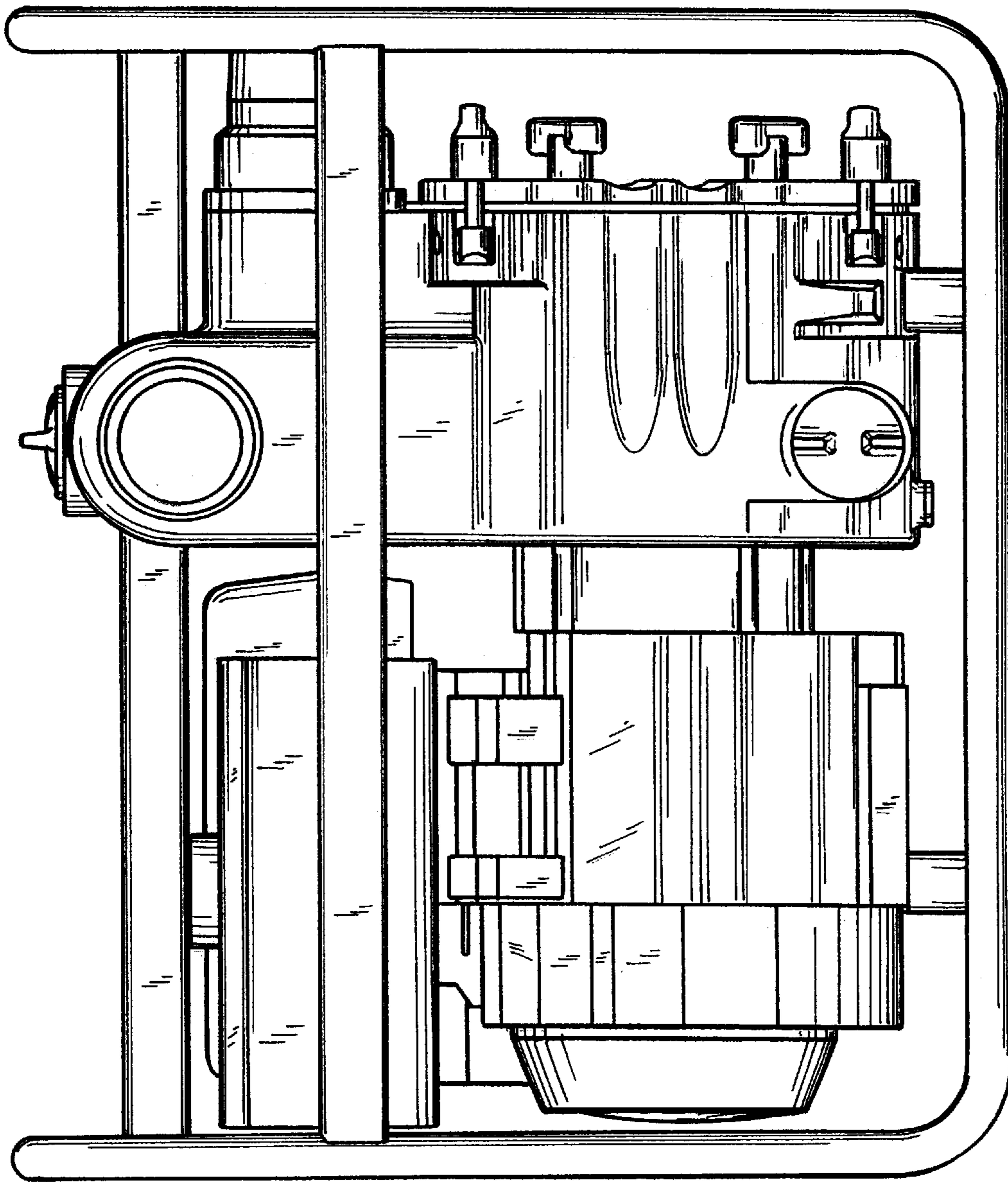


FIG. 3

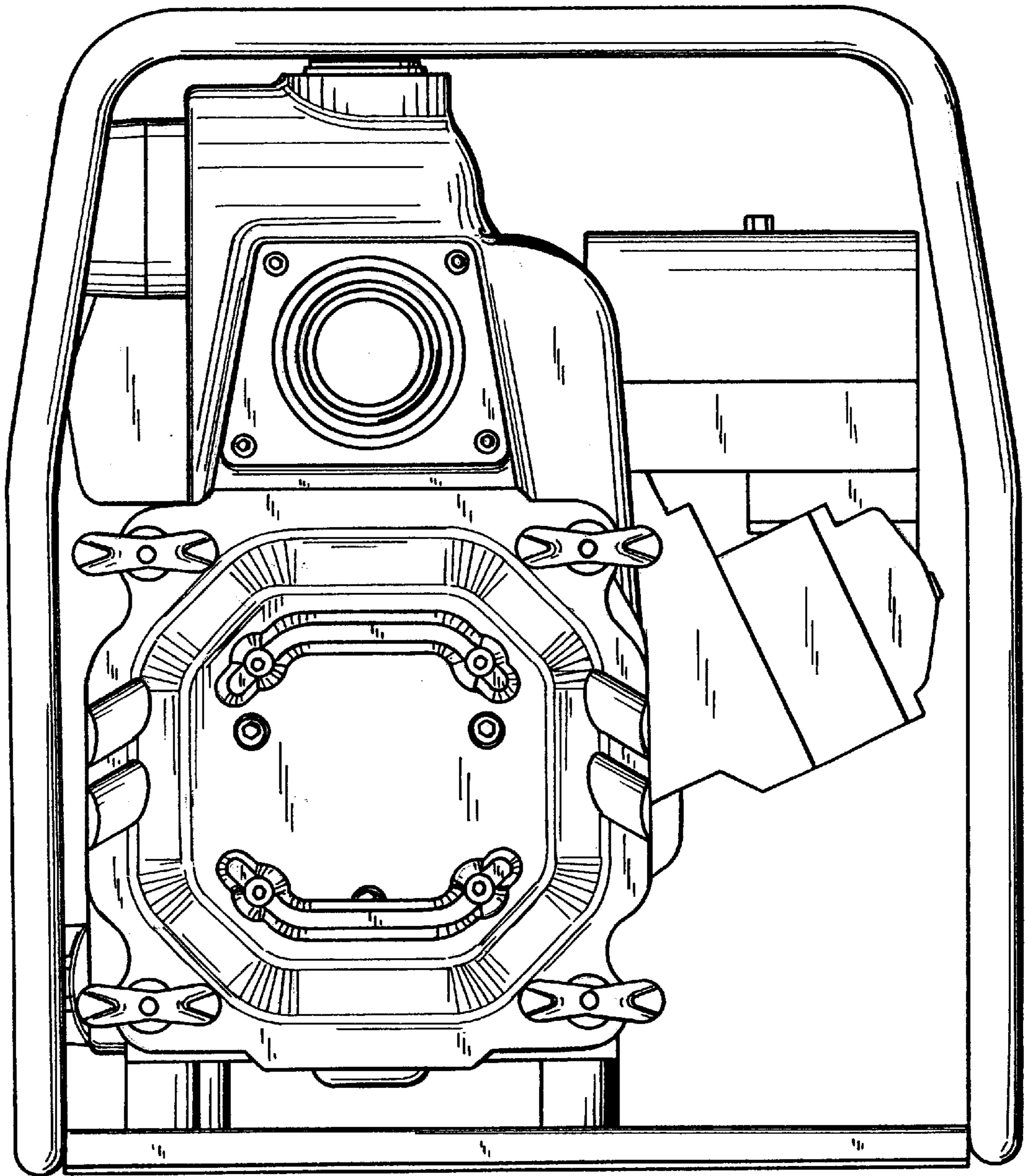


FIG. 4

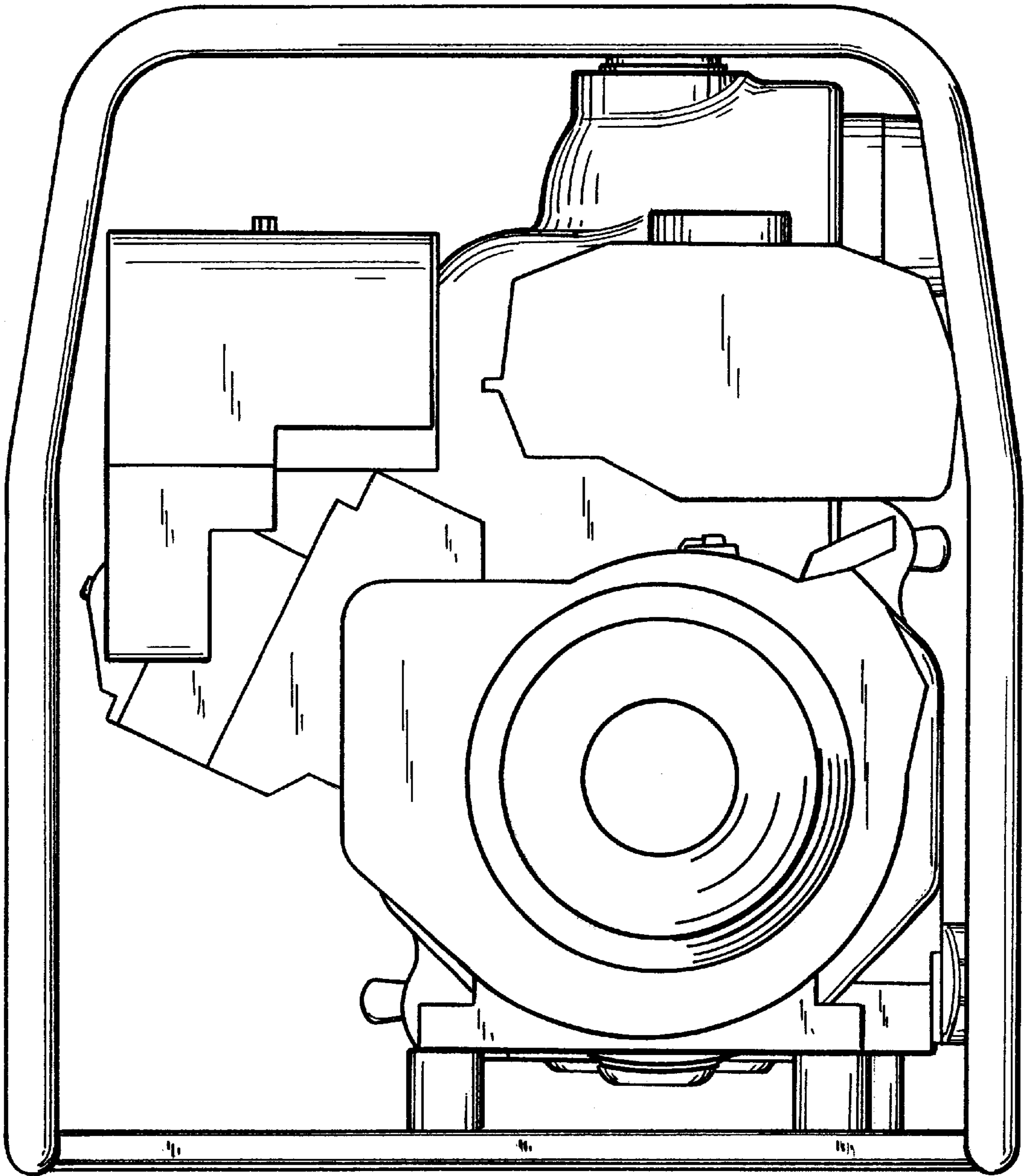


FIG. 5

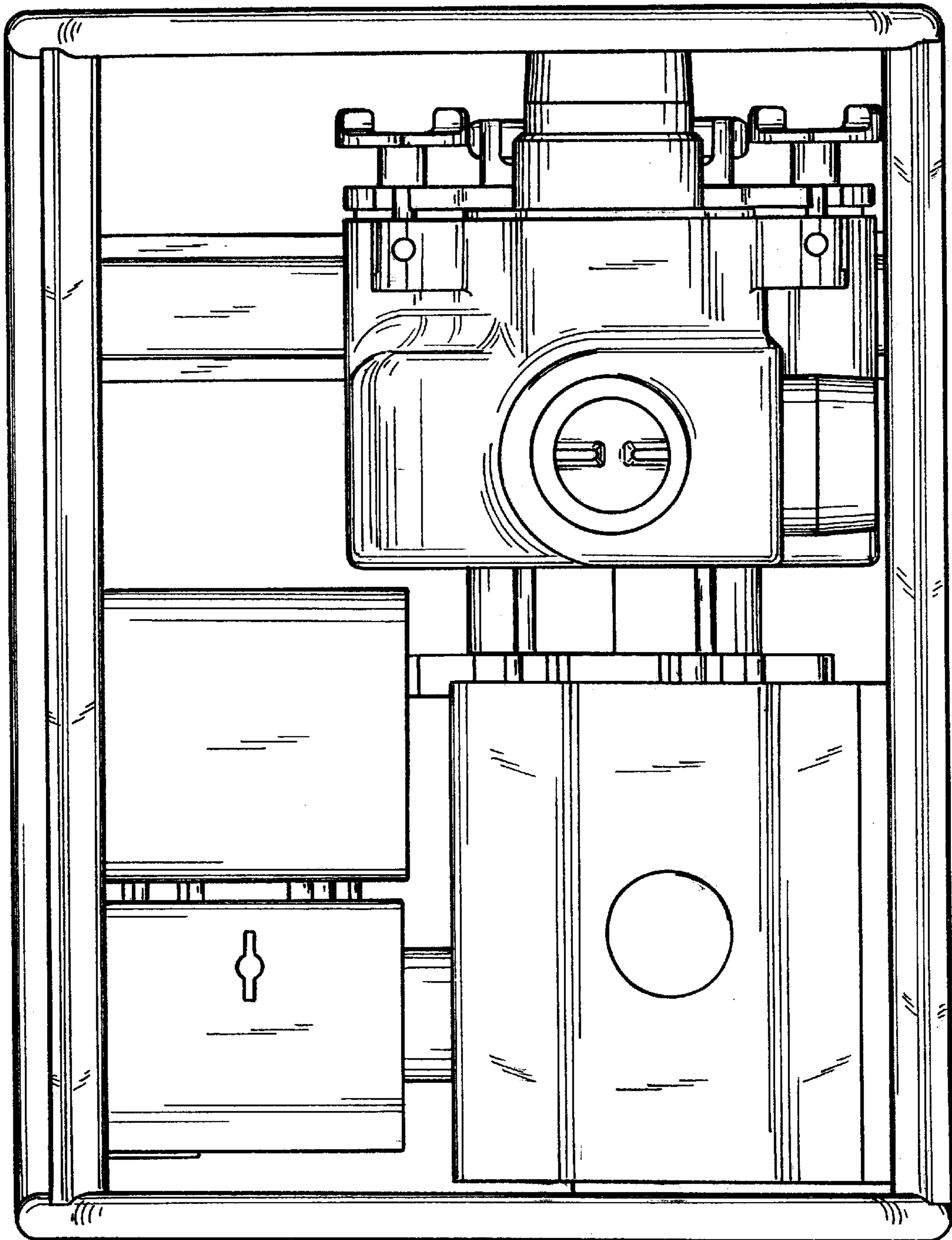


FIG. 6

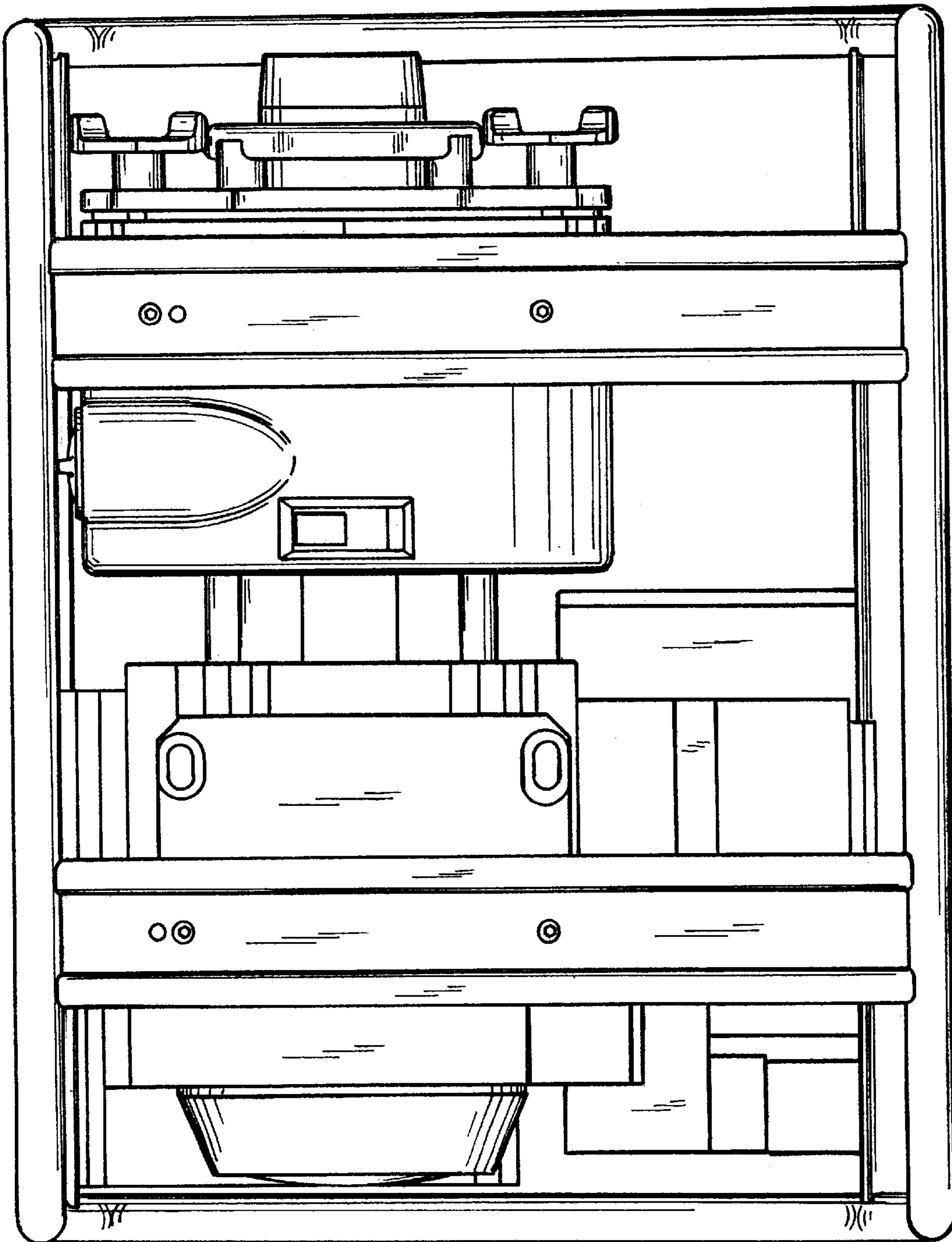


FIG. 7