



US00D454355S

(12) **United States Design Patent**
Yoshioka

(10) **Patent No.:** **US D454,355 S**
(45) **Date of Patent:** **** Mar. 12, 2002**

(54) **COMPUTER GENERATED IMAGE FOR DISPLAY PANEL OR SCREEN**

(75) Inventor: **Keiichi Yoshioka**, Tokyo (JP)

(73) Assignee: **Sony Corporation**, Tokyo (JP)

(**) Term: **14 Years**

(21) Appl. No.: **29/131,700**

(22) Filed: **Oct. 27, 2000**

(51) **LOC (7) Cl.** **14-02**

(52) **U.S. Cl.** **D14/486**

(58) **Field of Search** D14/485-95; D18/24-33;
D19/6; D20/11; D21/324-33; 345/326,
339-58

(56) **References Cited**

U.S. PATENT DOCUMENTS

- D391,948 S * 3/1998 Eisenberg
- D407,698 S * 4/1999 Alexiev
- D418,827 S * 1/2000 Hartford et al.

- D426,525 S * 6/2000 Coleman
- D427,202 S * 6/2000 Chatfield et al.
- D440,575 S * 4/2001 Wang et al.
- D445,801 S * 7/2001 Ma
- D446,790 S * 8/2001 Wang et al.

* cited by examiner

Primary Examiner—M. H. Tung

(74) *Attorney, Agent, or Firm*—Rader, Fishman & Grauer, PLLC

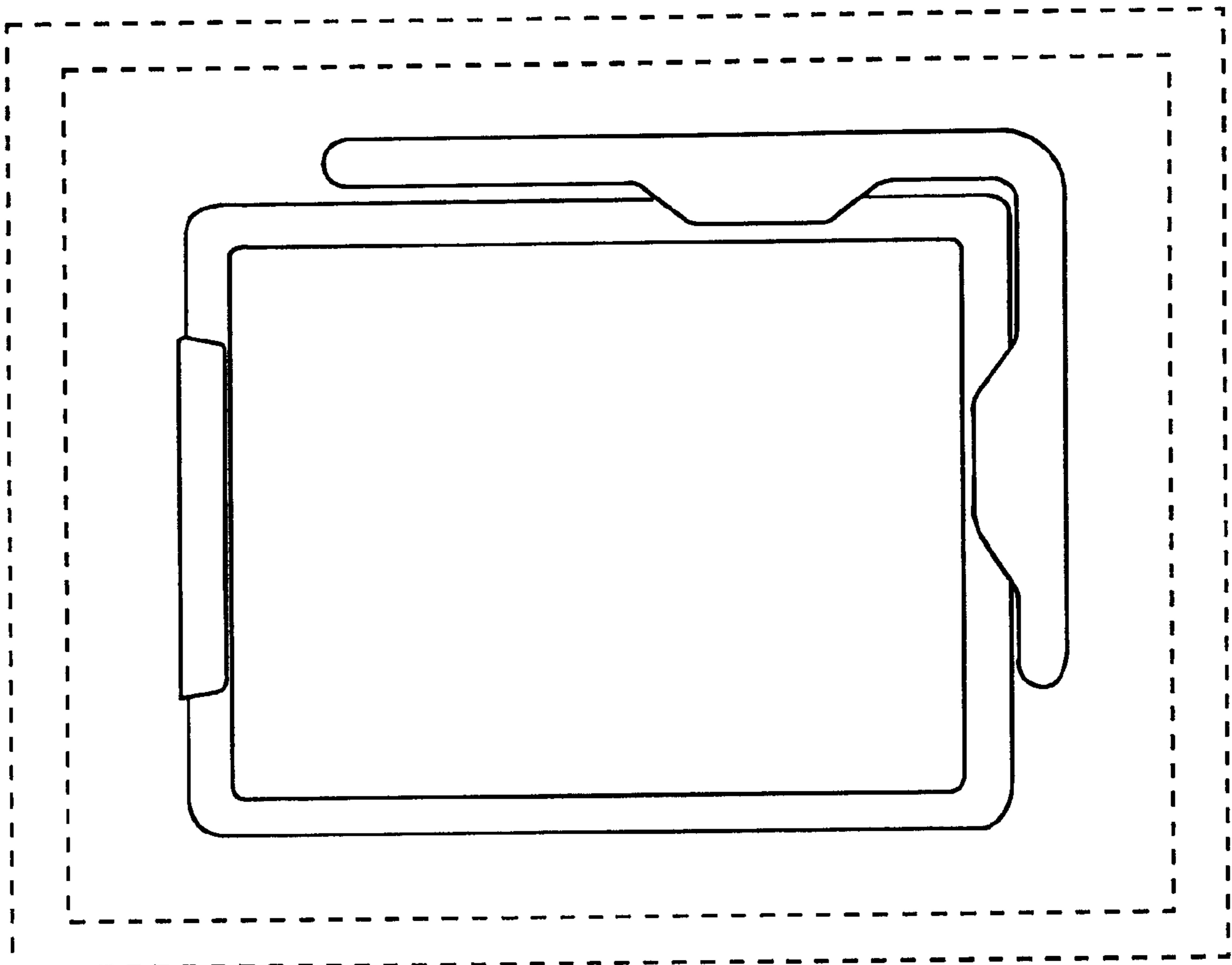
(57) **CLAIM**

The ornamental design for a computer generated image for display panel or screen, as shown and described.

DESCRIPTION

FIG. 1 is a front view of a computer generated image for display panel or screen showing my new design; and, FIG. 2 is a front view of a second embodiment thereof. The broken line drawing of a display panel or screen in all views is for illustrative purposes only and forms no part of the claimed design.

1 Claim, 1 Drawing Sheet



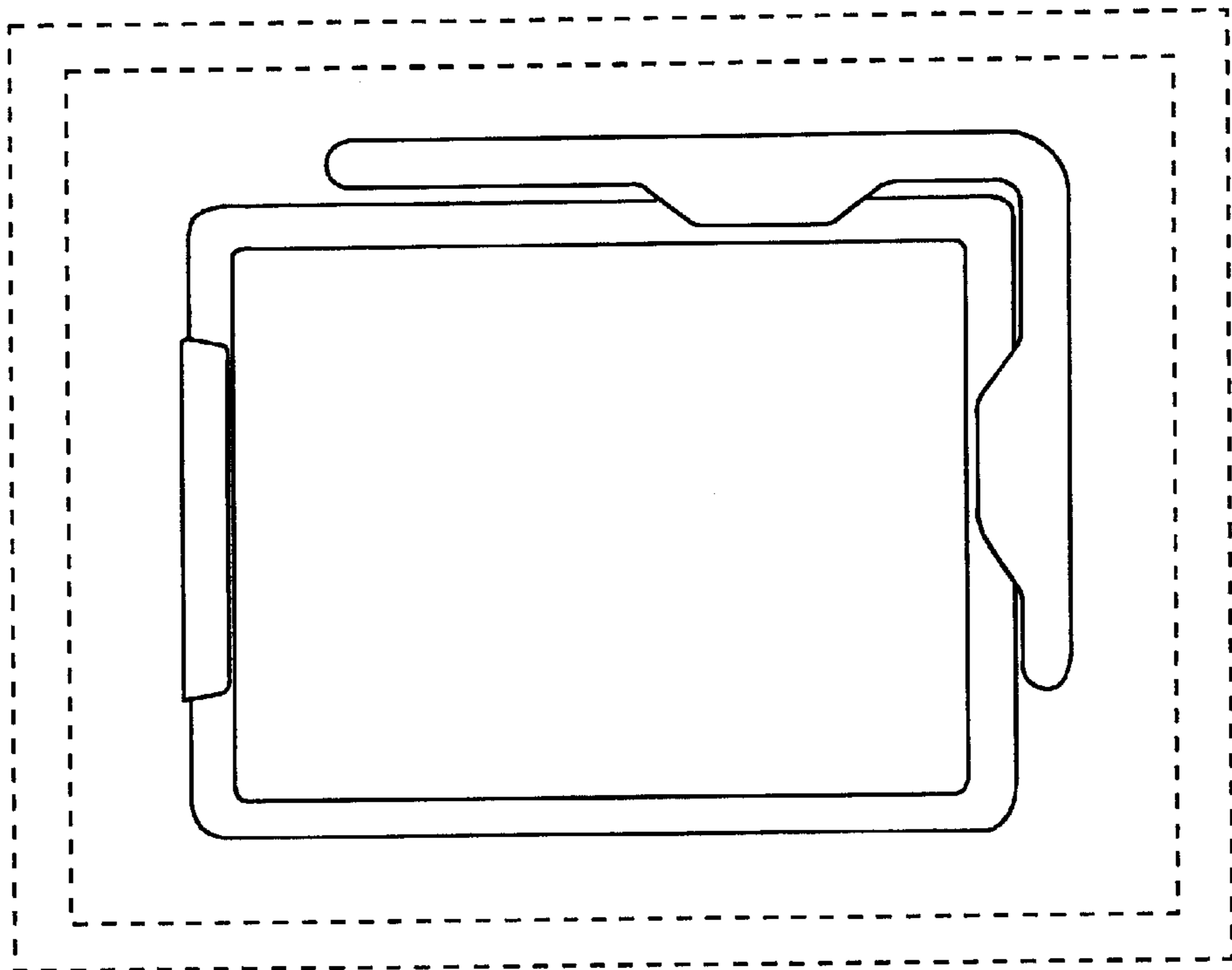


FIG. 1

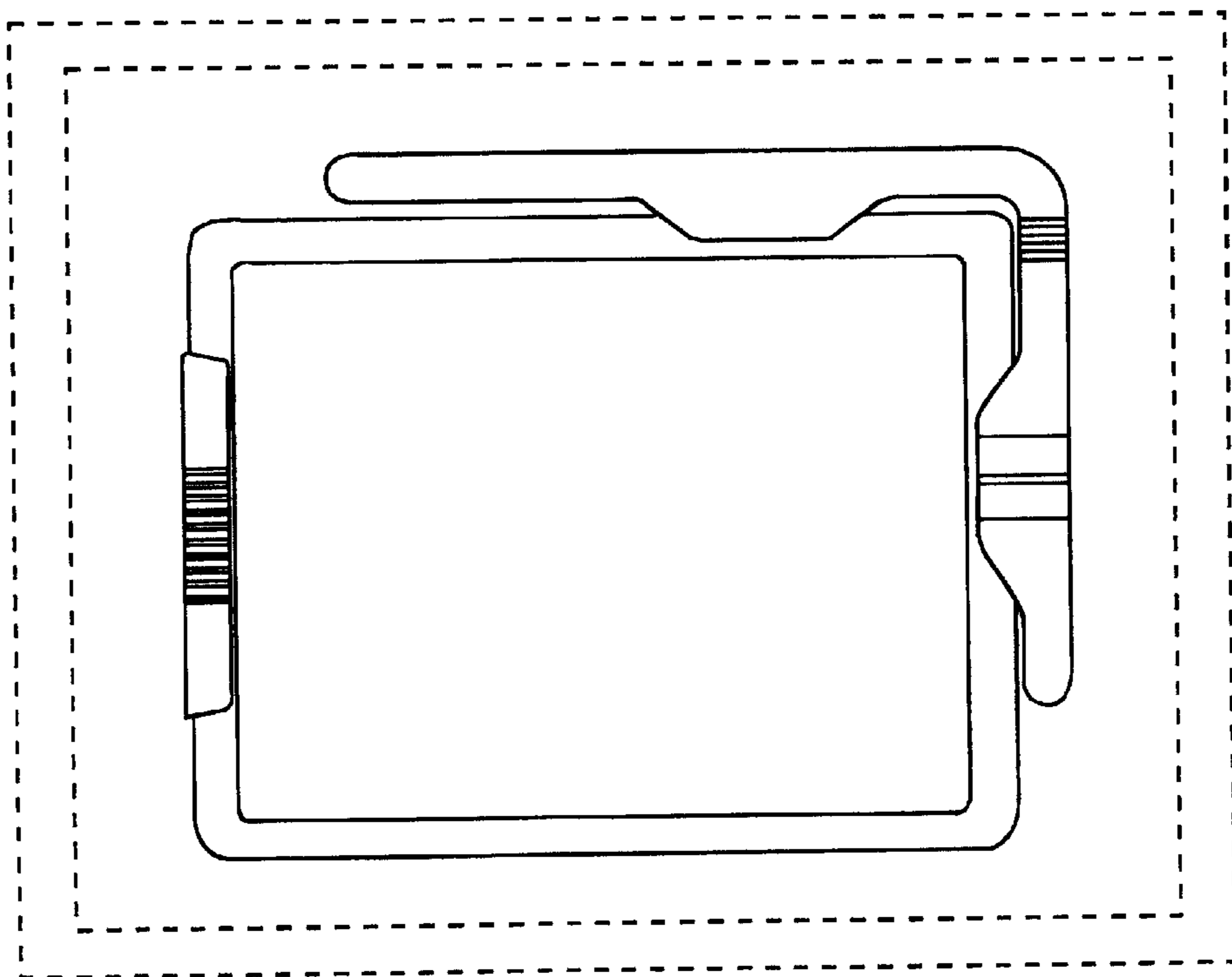


FIG. 2