



US00D454353S

(12) **United States Design Patent**
Hicks et al.

(10) **Patent No.:** **US D454,353 S**

(45) **Date of Patent:** **** Mar. 12, 2002**

(54) **COMPUTER KEYBOARD SUPPORT**

(75) Inventors: **Jack C. Hicks**, Westminster; **Randy W. Woods**, Wheatridge, both of CO (US)

(73) Assignee: **Ergonomic Design Inc.**, Northglenn, CO (US)

(**) Term: **14 Years**

(21) Appl. No.: **29/136,714**

(22) Filed: **Feb. 6, 2001**

(51) **LOC (7) Cl.** **14-02**

(52) **U.S. Cl.** **D14/457; D14/460**

(58) **Field of Search** **D14/454-457, D14/440, 447, 448, 451; 248/118, 118.1, 346.01, 118.5, 918; 400/715; 108/50.01, 50.02, 150**

(56) **References Cited**

U.S. PATENT DOCUMENTS

5,732,910 A *	3/1998	Martin	248/118
5,901,934 A *	5/1999	Wilson	248/346.01
D410,453 S	6/1999	Timm		
5,915,655 A *	6/1999	Gutowski	248/118.5
6,045,098 A	4/2000	Timm		
6,247,672 B1 *	6/2001	Bello	248/118.1

OTHER PUBLICATIONS

Ed 1 Brochure pp. 5,7 & 8.

* cited by examiner

Primary Examiner—Kay H. Chin

(74) *Attorney, Agent, or Firm*—Brian D. Smith, P.C.

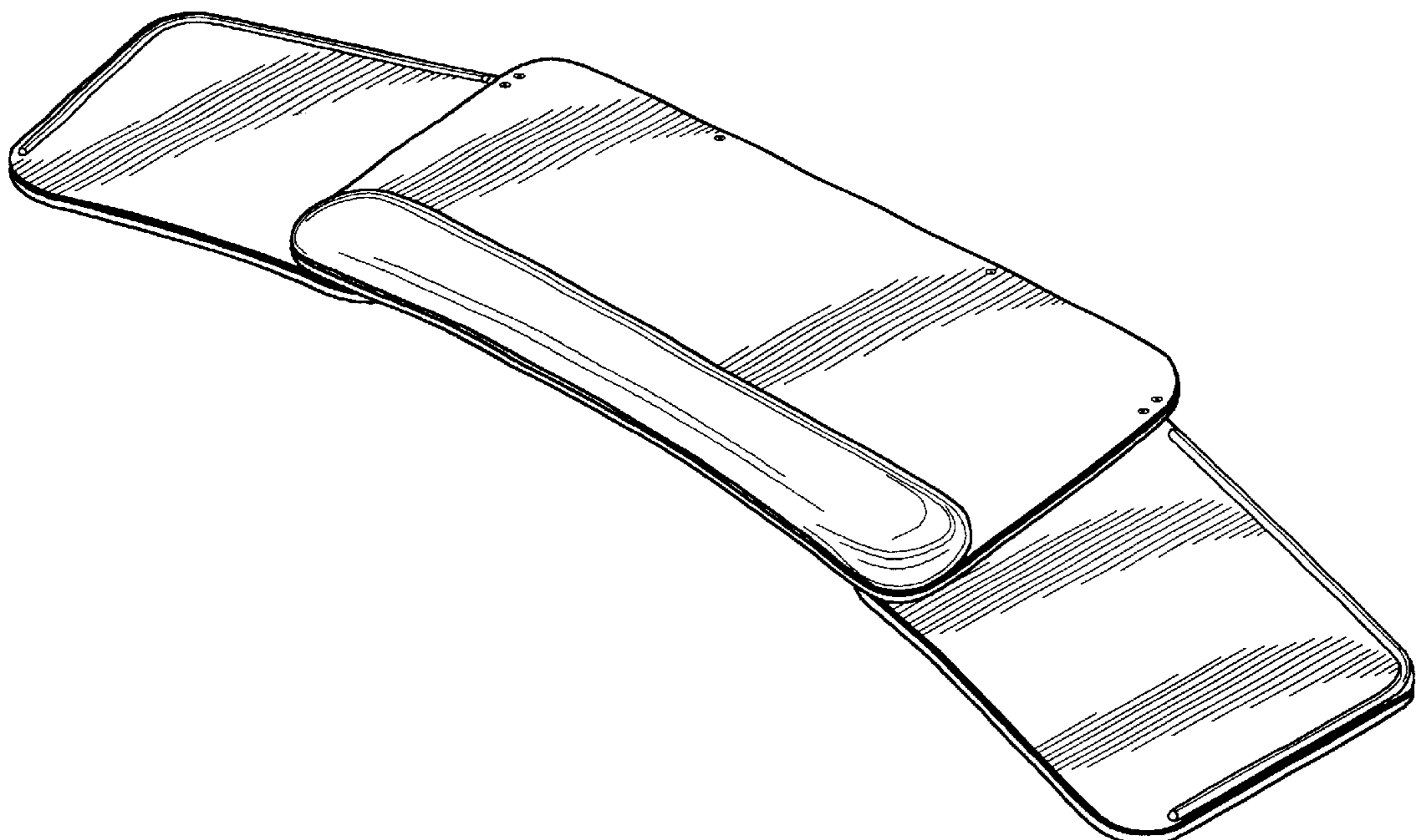
(57) **CLAIM**

The ornamental design for computer keyboard support, as shown and described.

DESCRIPTION

FIG. 1 is a perspective view of an embodiment of our design for a computer keyboard support;
 FIG. 2 is a top plan view of the computer keyboard support of FIG. 1;
 FIG. 3 is a bottom plan view of the computer keyboard support of FIG. 1;
 FIG. 4 is a rear end elevation view of the computer keyboard support of FIG. 1;
 FIG. 5 is a front end elevation view of the computer keyboard support of FIG. 1;
 FIG. 6 is a left side elevation view of the computer keyboard support of FIG. 1;
 FIG. 7 is a right side elevation view of the computer keyboard support of FIG. 1;
 FIG. 8 is a perspective view of a second embodiment of our design for a computer keyboard support;
 FIG. 9 is a top plan view of the computer keyboard support of FIG. 8;
 FIG. 10 is a bottom plan view of the computer keyboard support of FIG. 8;
 FIG. 11 is a rear end elevation view of the computer keyboard support of FIG. 8;
 FIG. 12 is a front end elevation view of the computer keyboard support of FIG. 8;
 FIG. 13 is a left side elevation view of the computer keyboard support of FIG. 8; and,
 FIG. 14 is a right side elevation view of the computer keyboard support of FIG. 8.

1 Claim, 4 Drawing Sheets



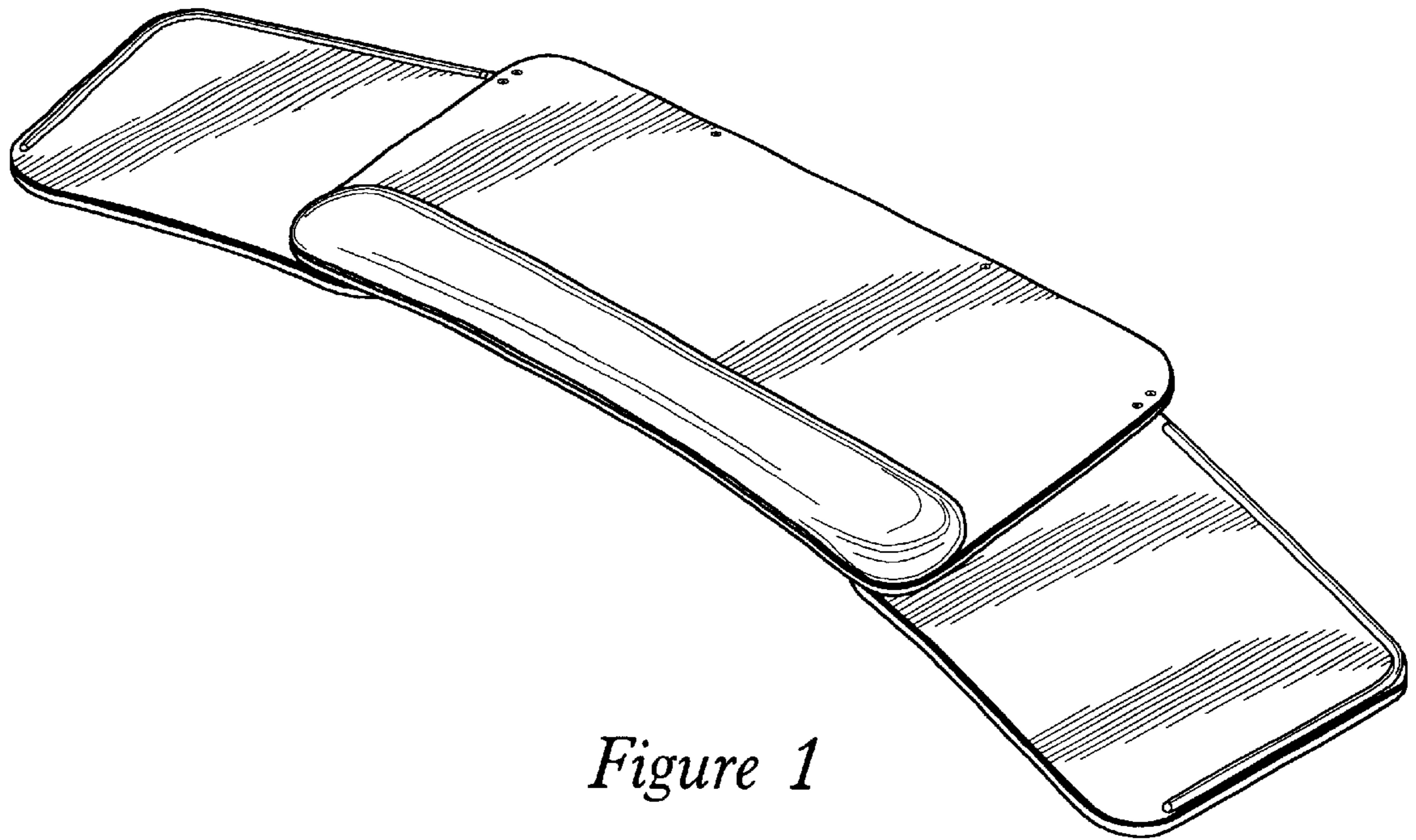


Figure 1

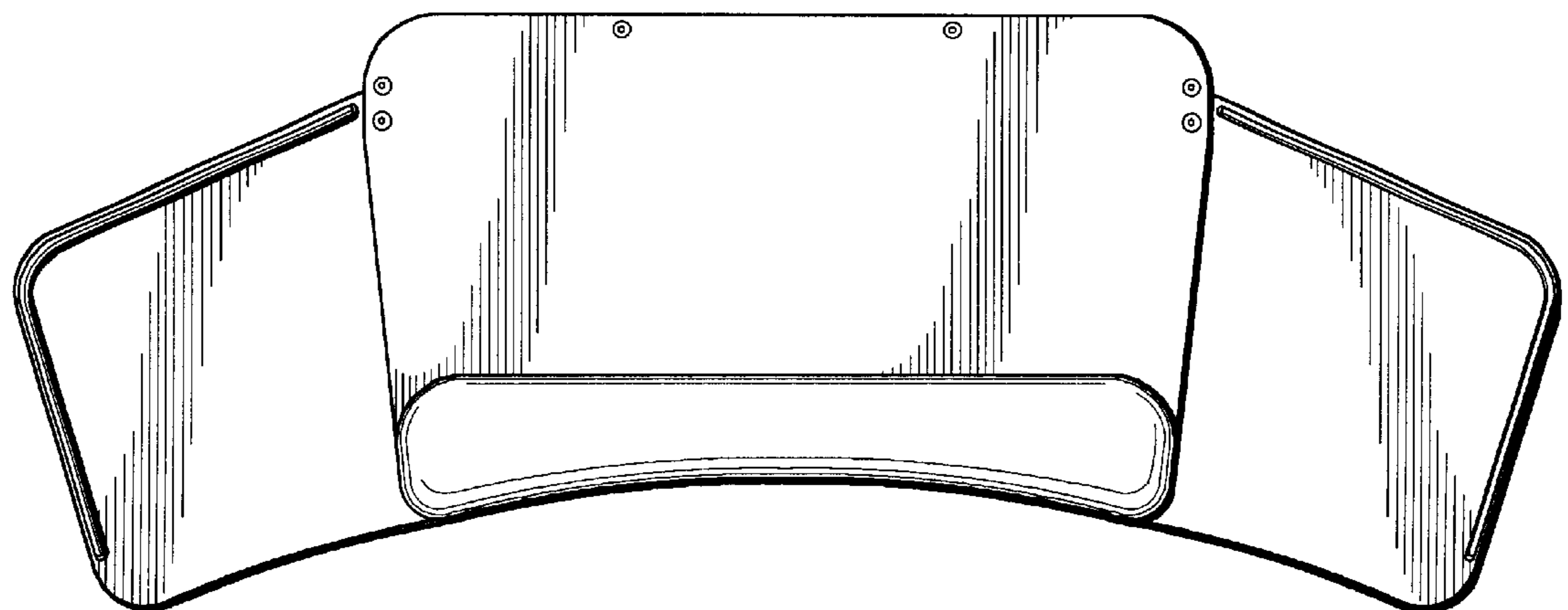


Figure 2

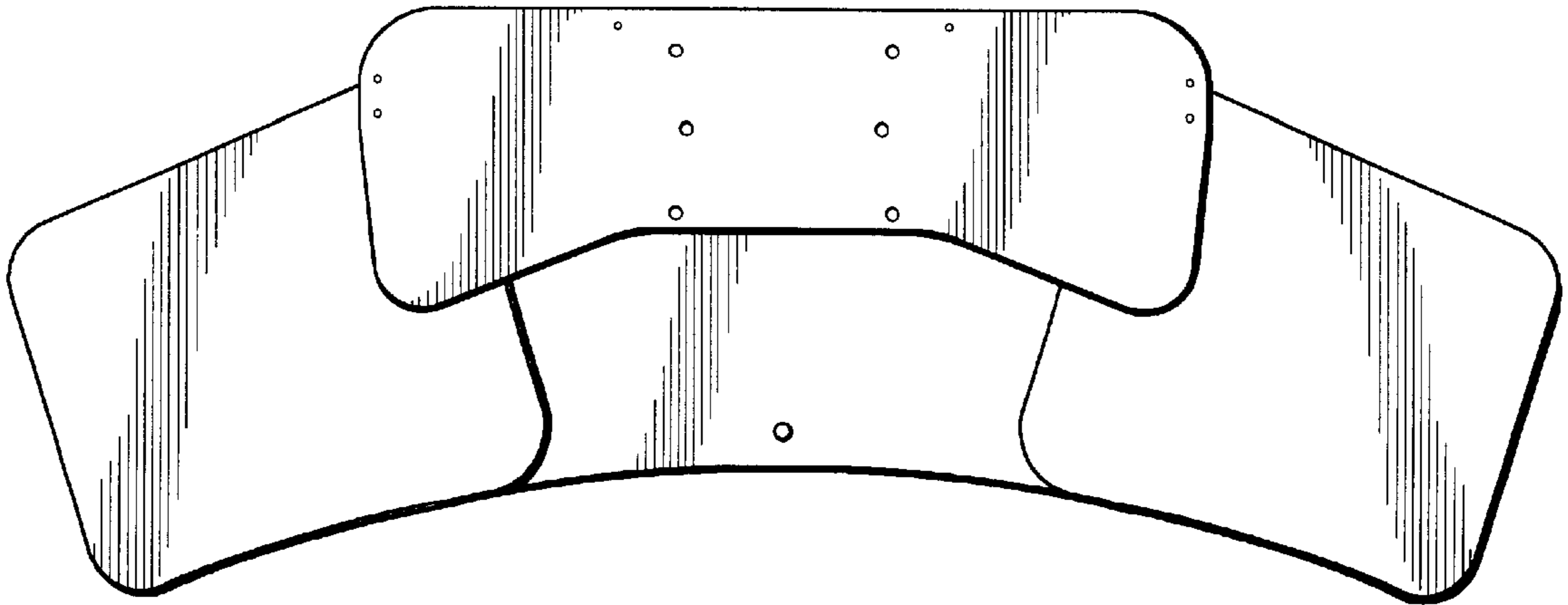


Figure 3

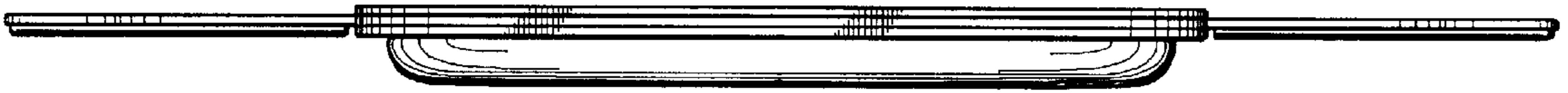


Figure 4

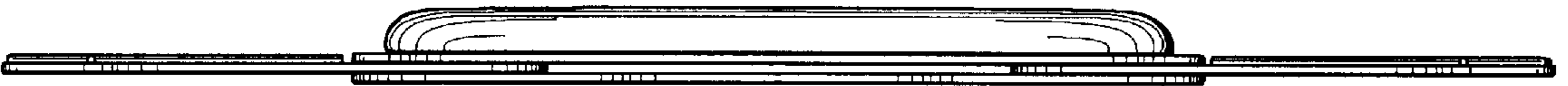


Figure 5



Figure 6



Figure 7

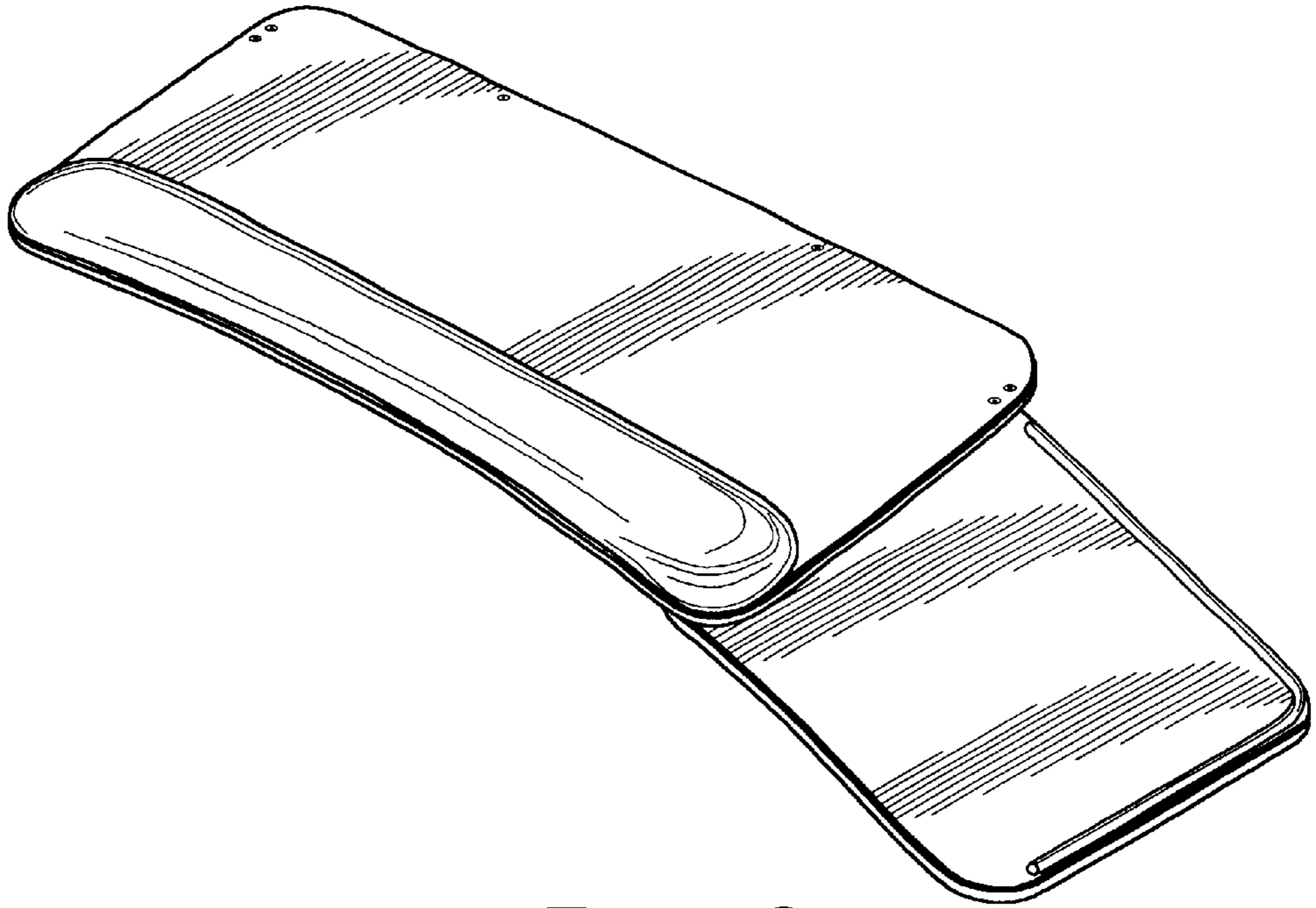


Figure 8

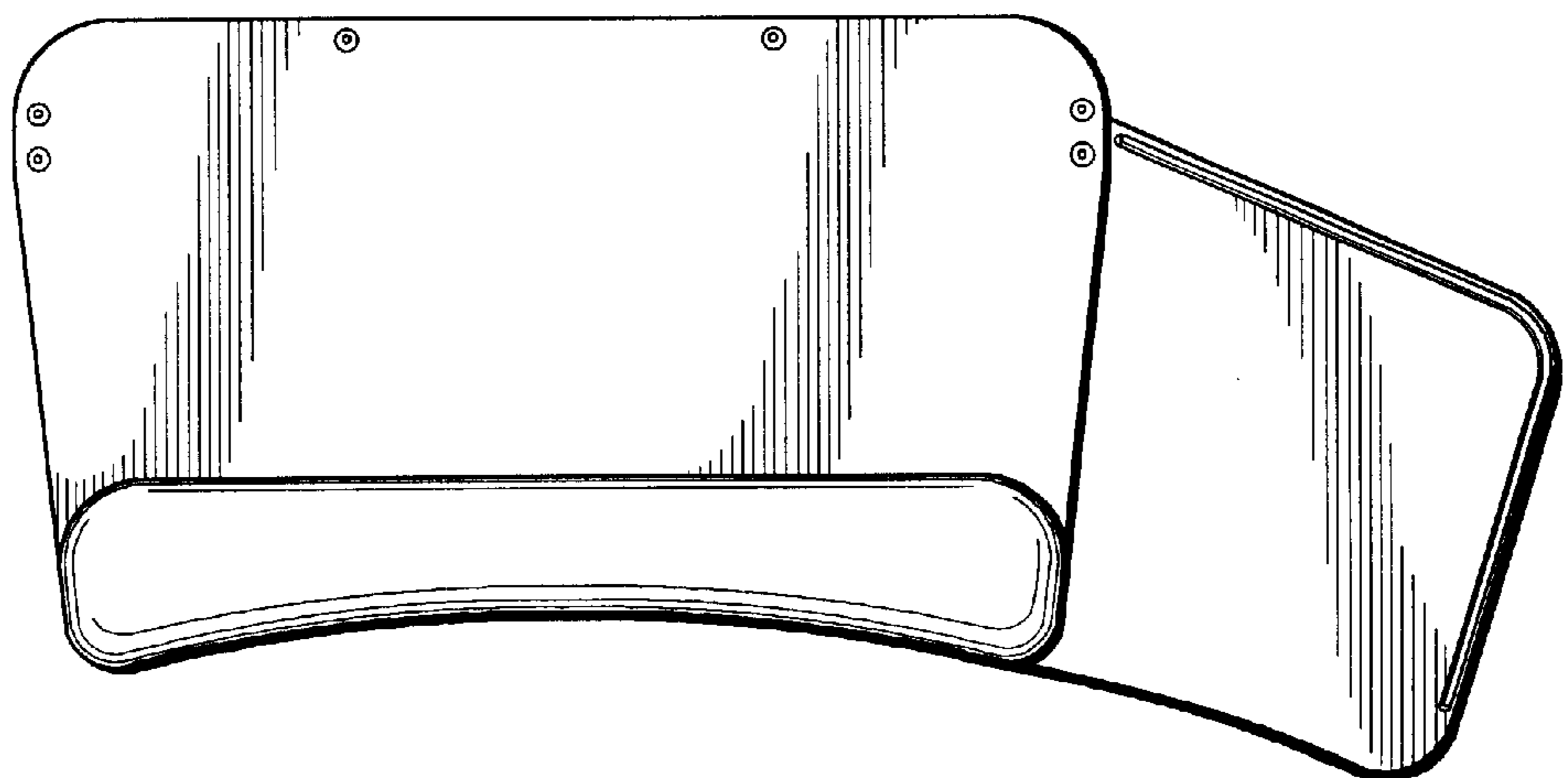


Figure 9

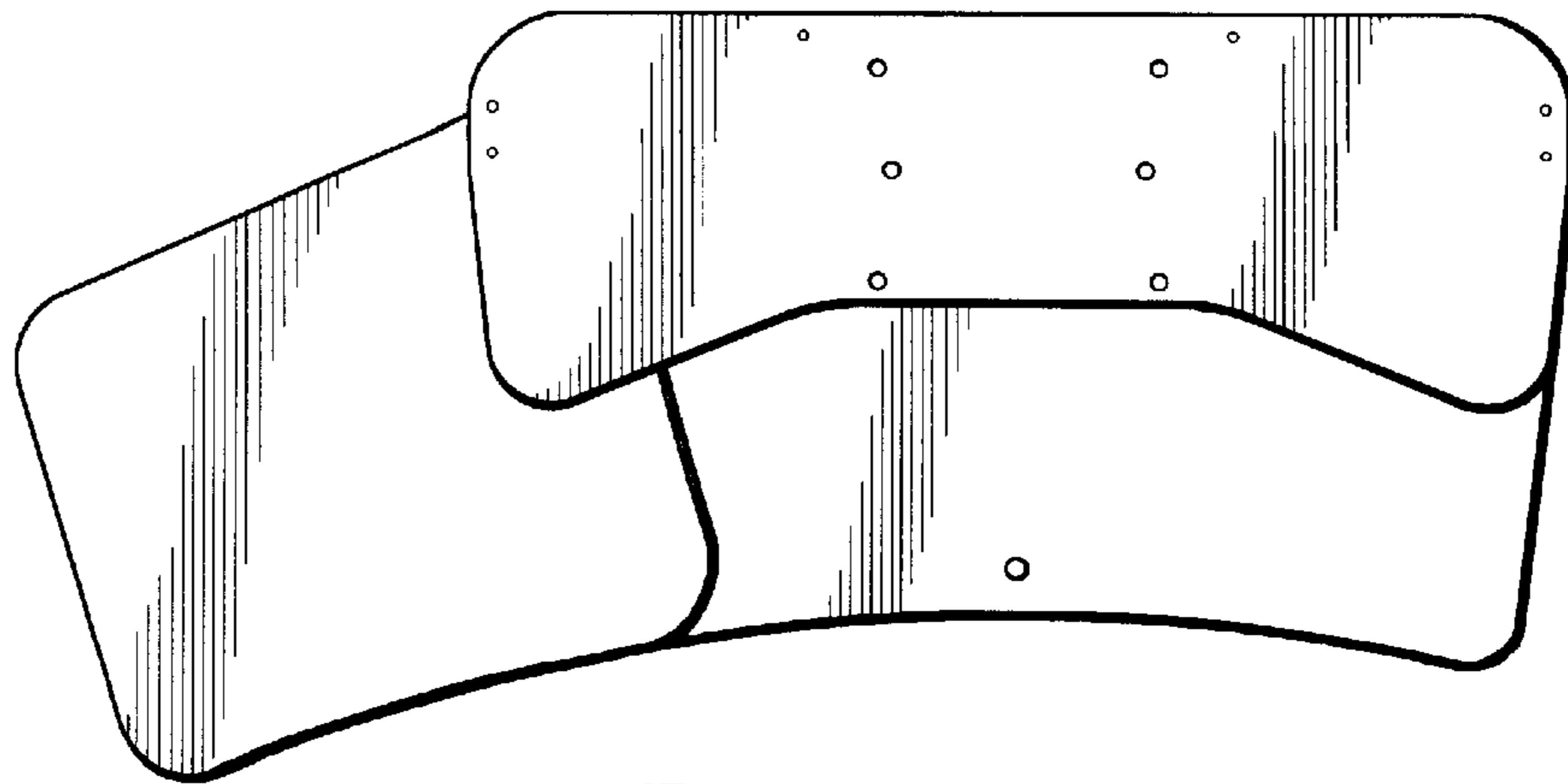


Figure 10

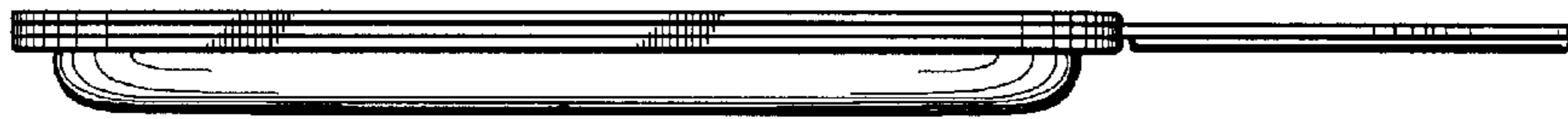


Figure 11

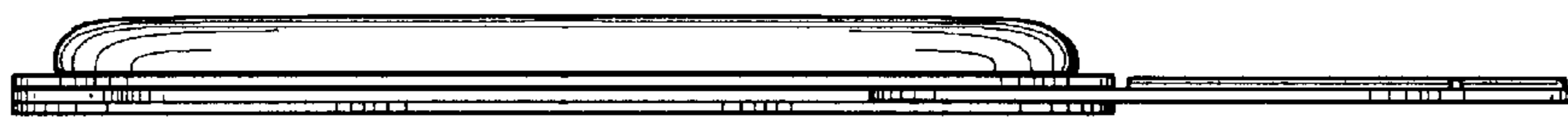


Figure 12



Figure 13



Figure 14