



US00D454352S

(12) **United States Design Patent**
Love et al.

(10) **Patent No.:** **US D454,352 S**

(45) **Date of Patent:** **** Mar. 12, 2002**

(54) **FRONT BEZEL OF A COMPUTER**

(75) Inventors: **John S. Love**, Sioux City, IA (US);
Yutaka Kazamaki, Dakota Dunes, SD (US)

(73) Assignee: **Gateway, Inc.**, North Sioux City, SD (US)

(**) Term: **14 Years**

(21) Appl. No.: **29/134,869**

(22) Filed: **Dec. 28, 2000**

(51) **LOC (7) Cl.** **14-02**

(52) **U.S. Cl.** **D14/450; D14/374**

(58) **Field of Search** D14/450, 371,
D14/374, 375, 126-129; D13/164, 177;
312/223.2; 361/680-686; 348/180, 184,
325, 739; 248/918-924; 341/12; 349/1,
2, 11, 62

(56) **References Cited**

U.S. PATENT DOCUMENTS

D349,489 S * 8/1994 Wang D14/375

D407,077 S * 3/1999 Shibata D14/374
D416,549 S * 11/1999 Coster et al. D14/375
D417,659 S * 12/1999 Takemasa D14/374

* cited by examiner

Primary Examiner—Freda Nunn

(57) **CLAIM**

The ornamental design for a front bezel of a computer, as shown and described.

DESCRIPTION

FIG. 1 is a front elevational view of a front bezel of a computer, showing my new design,

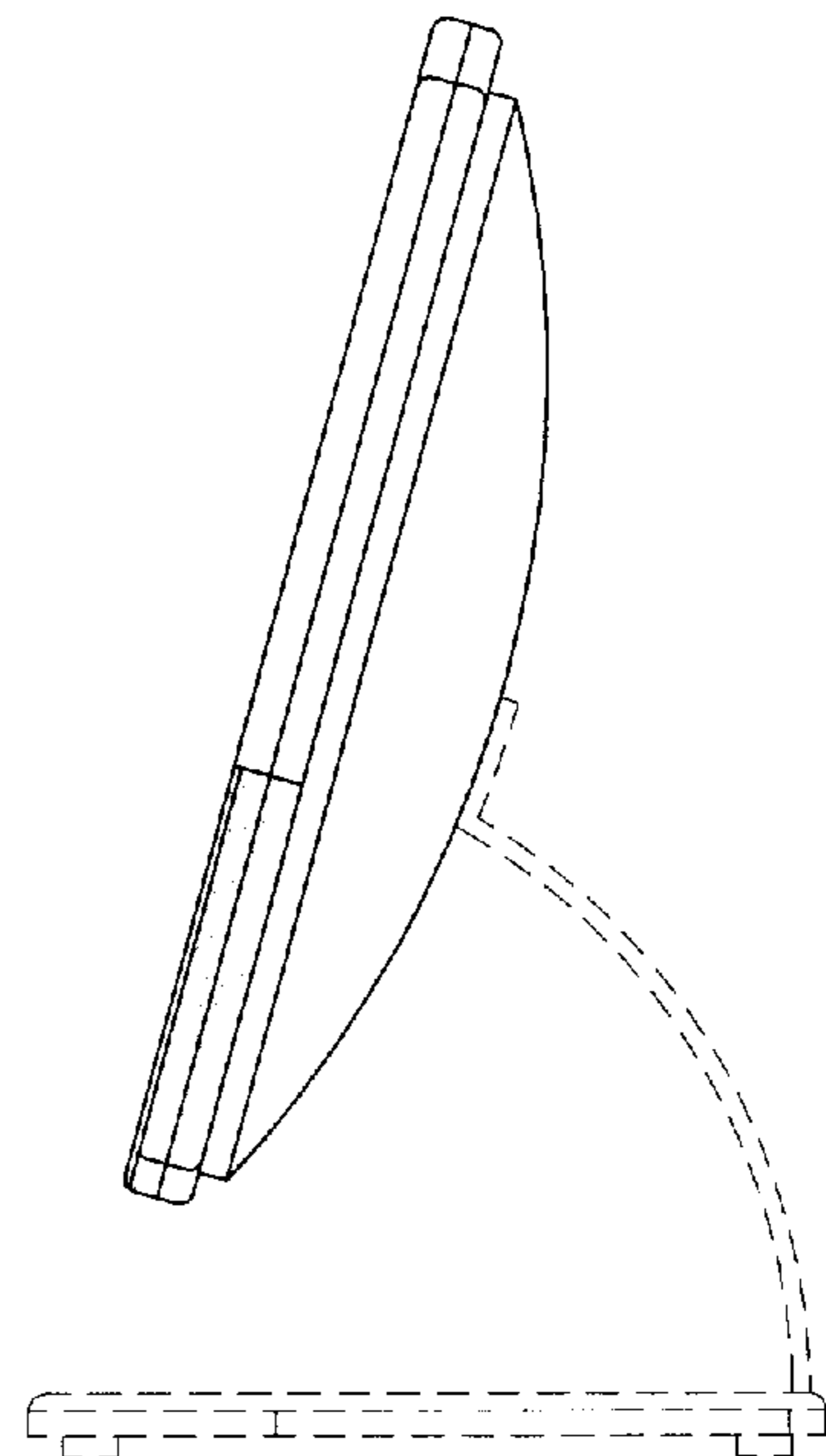
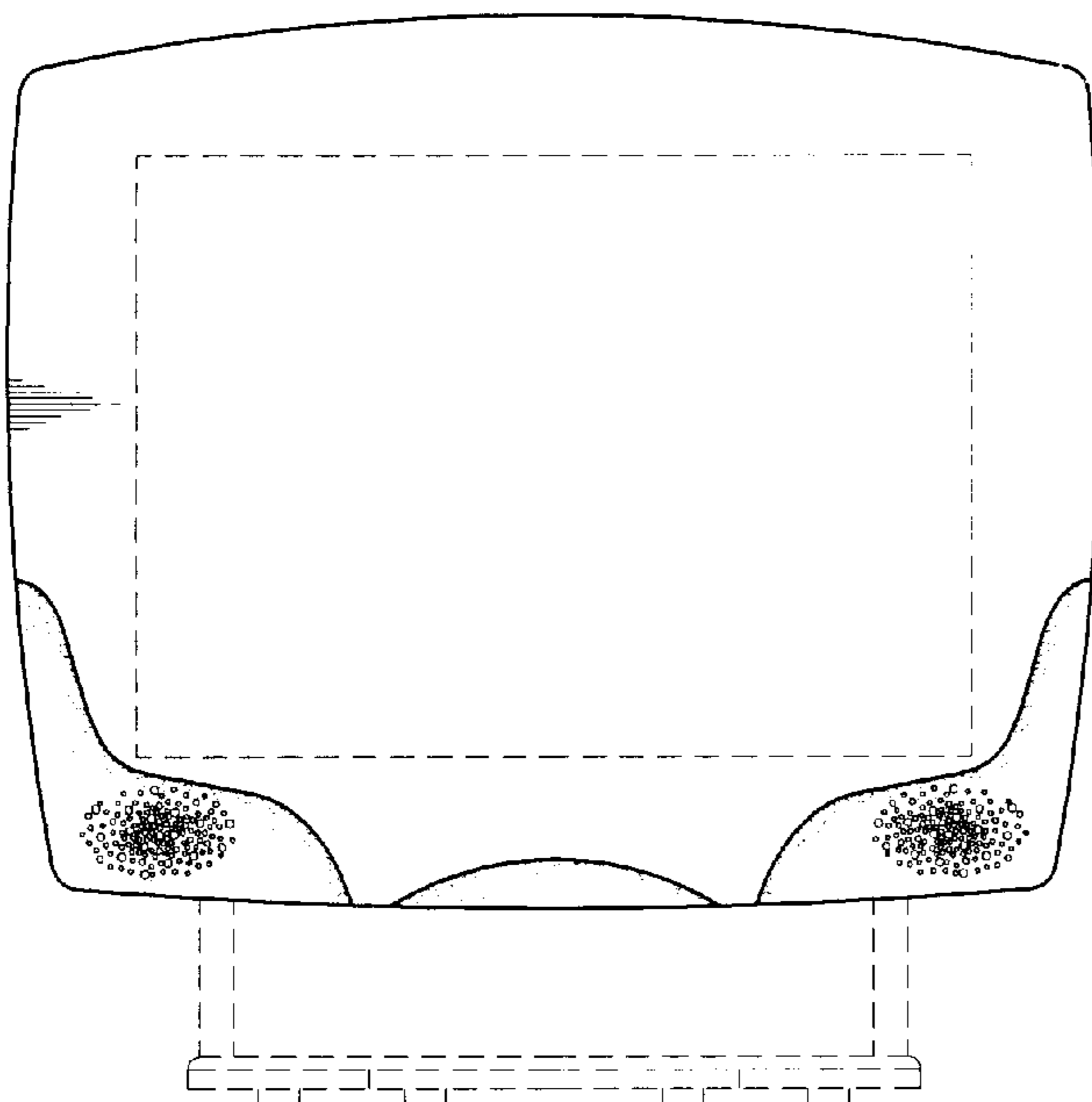
FIG. 2 is a right side elevational view thereof, the left side being a mirror image; and,

FIG. 3 is a top plan view thereof.

The bottom and rear of the front bezel of the computer form no part of the claimed design.

The logo and other elements are shown in broken lines for illustrative purposes only and form no part of the claimed design.

1 Claim, 1 Drawing Sheet



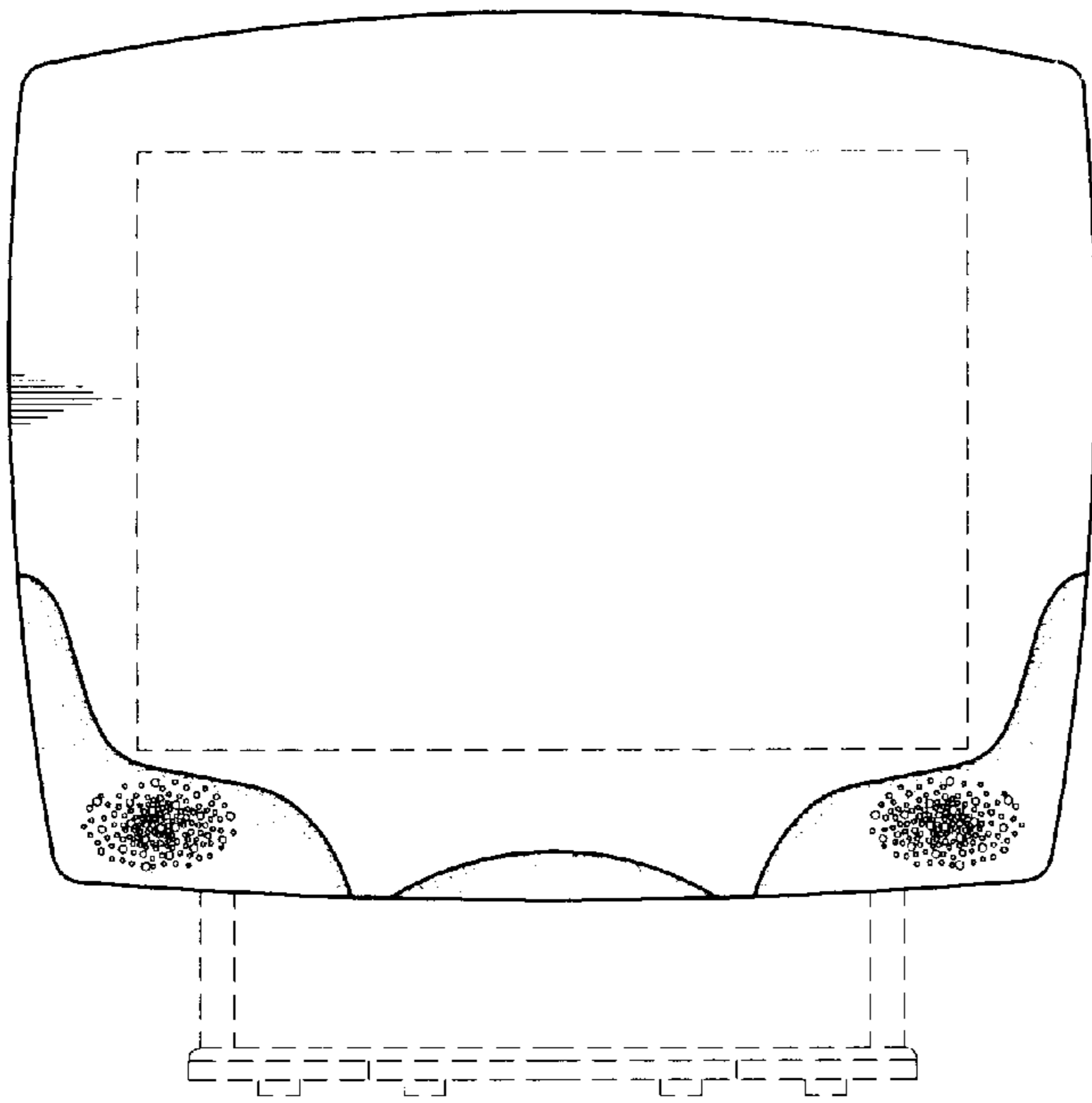


FIG. 1

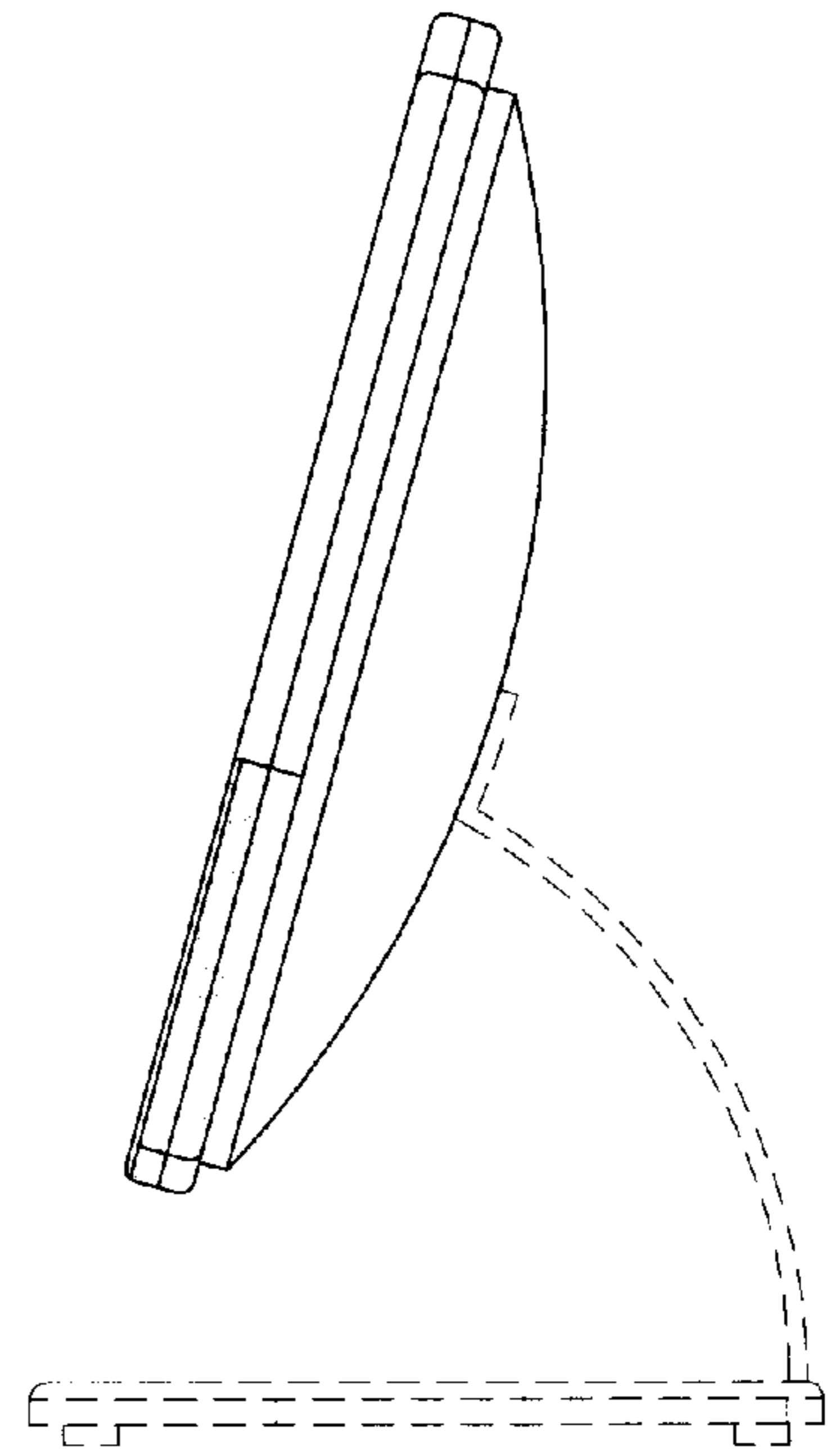


FIG. 2

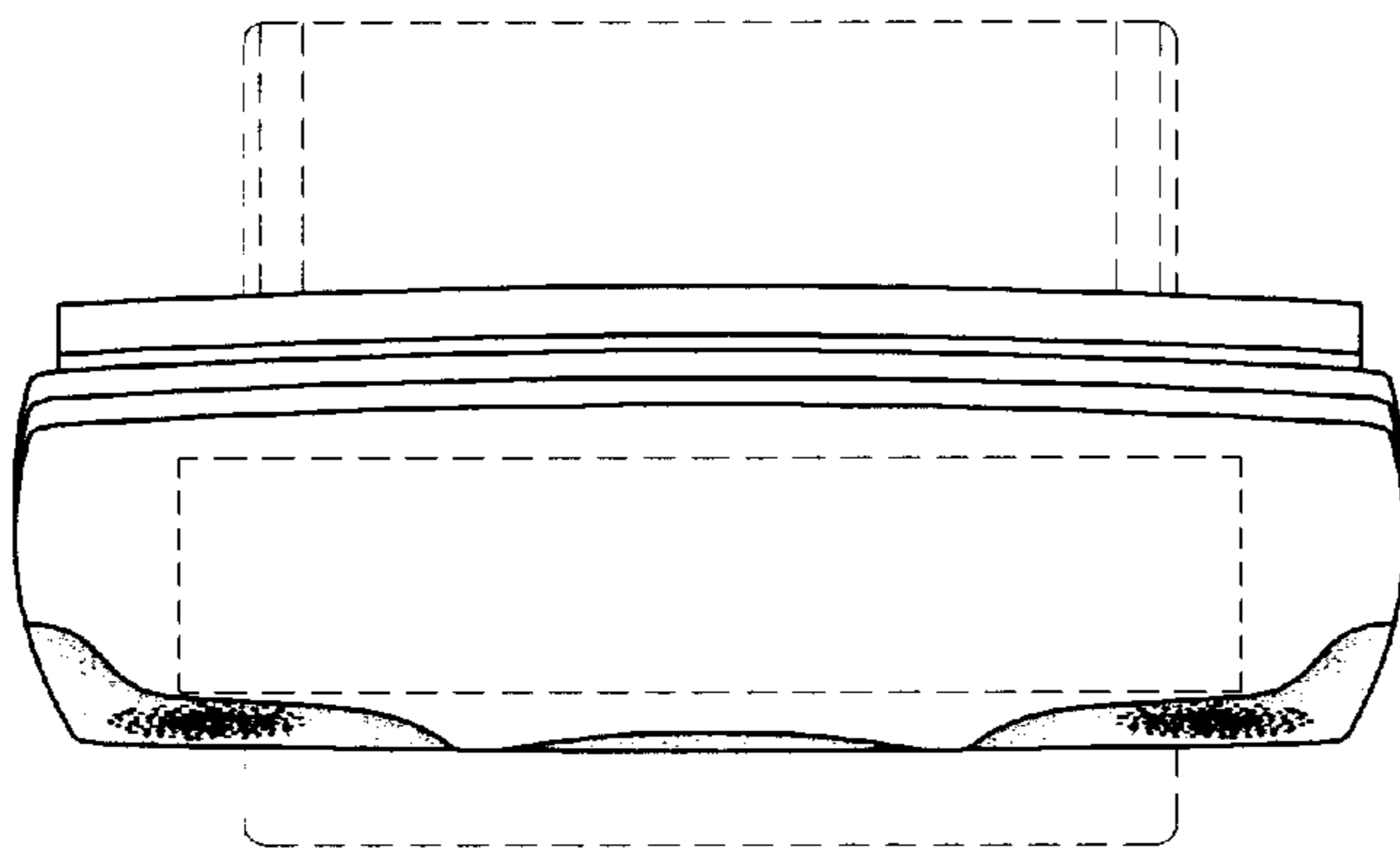


FIG. 3