



US00D454351S

(12) **United States Design Patent**
Adachi et al.

(10) **Patent No.:** **US D454,351 S**

(45) **Date of Patent:** **** Mar. 12, 2002**

(54) **IMAGE SCANNER**

(75) Inventors: **Tomoyuki Adachi**, Konan; **Tetsuro Kato**, Nagoya, both of (JP)

(73) Assignee: **Elmo Company Limited** (JP)

(**) Term: **14 Years**

(21) Appl. No.: **29/136,794**

(22) Filed: **Feb. 7, 2001**

(30) **Foreign Application Priority Data**

Aug. 31, 2000 (JP) 2000-024234

(51) **LOC (7) Cl.** **14-02**

(52) **U.S. Cl.** **D14/423; D16/229; D16/232**

(58) **Field of Search** **D14/423; D16/221, D16/225, 229, 232; 348/373-376; 353/119, 122; 355/64, 65**

(56) **References Cited**

U.S. PATENT DOCUMENTS

D376,139 S	12/1996	Hasegawa	D16/232
5,642,206 A *	6/1997	Yamamori et al.	348/375
D387,038 S	12/1997	Sakuta et al.	D14/423
5,734,417 A *	3/1998	Yamamoto et al.	348/373
D422,571 S *	4/2000	Sakata et al.	D14/423
D423,472 S *	4/2000	Adachi	D14/423
D424,091 S *	5/2000	Oh	D16/232
6,065,839 A *	5/2000	Miyata et al.	353/122
D433,683 S	11/2000	Adachi et al.	D14/423

OTHER PUBLICATIONS

Elmo Catalogue EV-701 (in Japanese) issued Feb., 2000 (No. 101) and English-Language Statement of Relevance for the Same.

Elmo Catalogue EV-601AF (in Japanese) issued Jun., 2000 (No. 107) and English-Language Statement of Relevance for the Same.

* cited by examiner

Primary Examiner—Adir Aronovich

(74) *Attorney, Agent, or Firm*—Ostrolenk, Faber, Gerb & Soffen, LLP

(57) **CLAIM**

The ornamental design for an image scanner, as shown and described.

DESCRIPTION

FIG. 1 is a front view of the image scanner embodying our new design;

FIG. 2 is a rear view thereof;

FIG. 3 is a right side view thereof;

FIG. 4 is a left side view thereof;

FIG. 5 is a top plan view thereof;

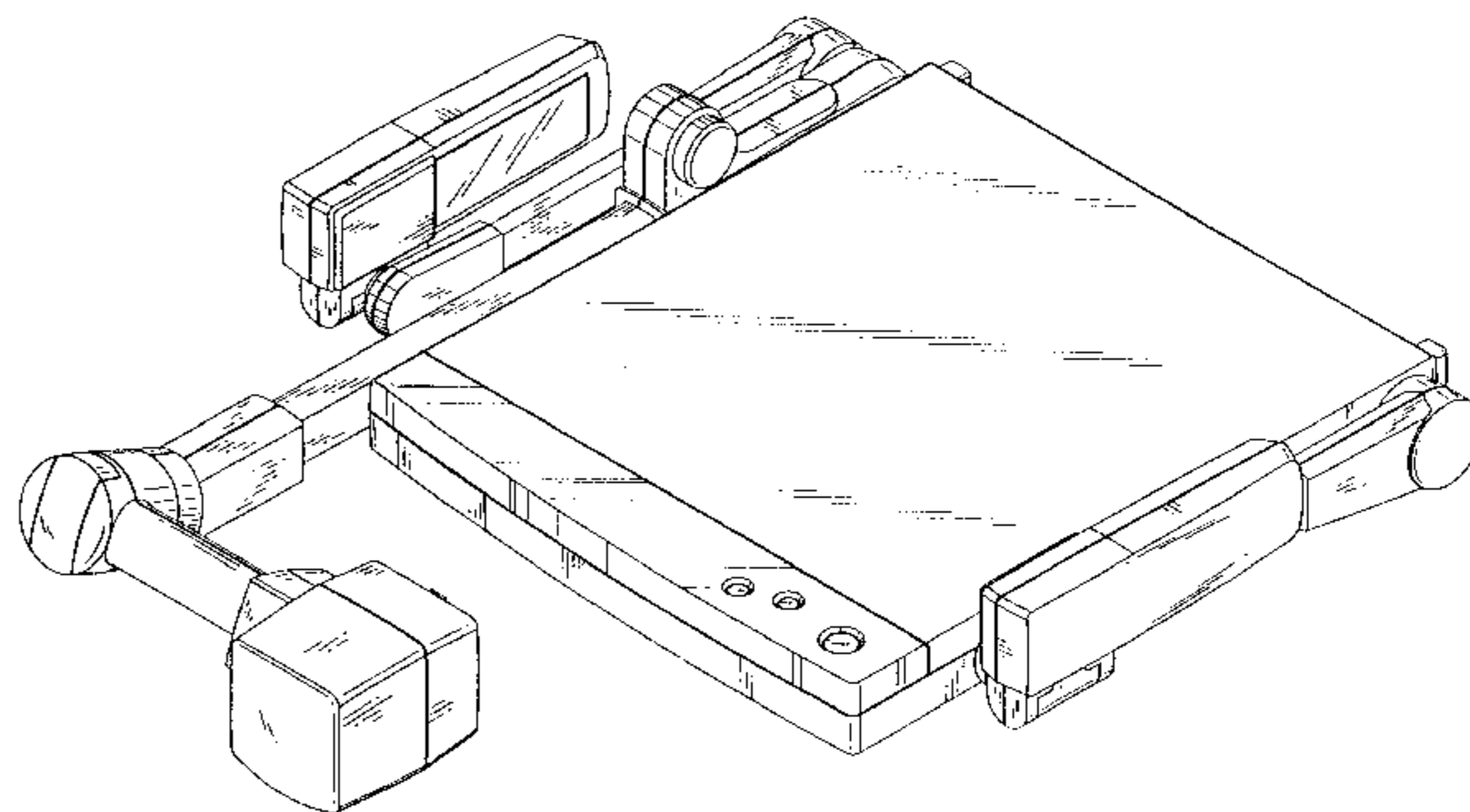
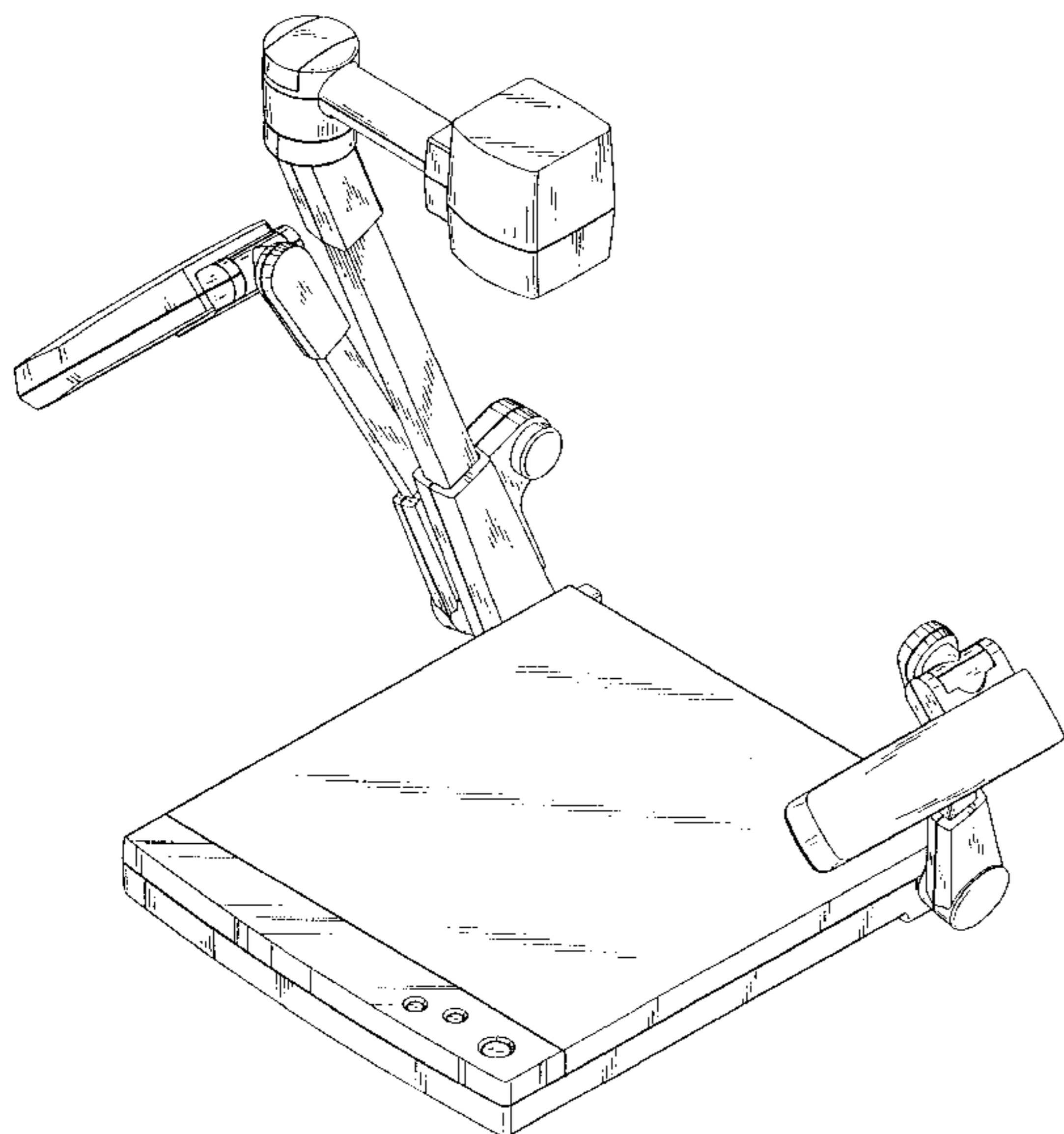
FIG. 6 is a bottom plan view thereof;

FIG. 7 is a perspective view as seen from the top and right front of FIG. 1;

FIG. 8 is a reference perspective view as seen from the top and left front of FIG. 1 with the front cover removed; and,

FIG. 9 is a reference perspective view as seen from the top and right front of FIG. 1 with both arms folded.

1 Claim, 9 Drawing Sheets



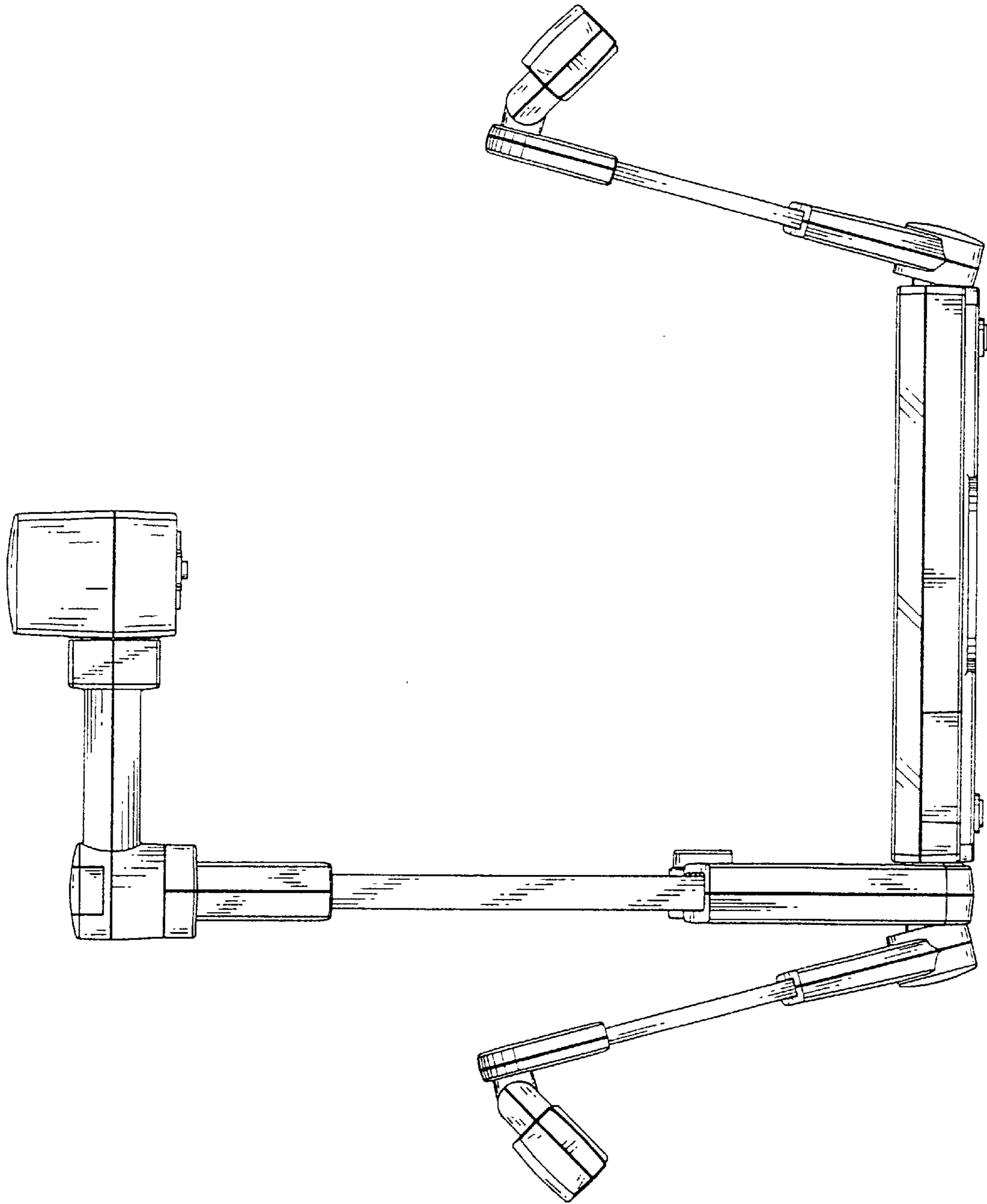


Fig. 1

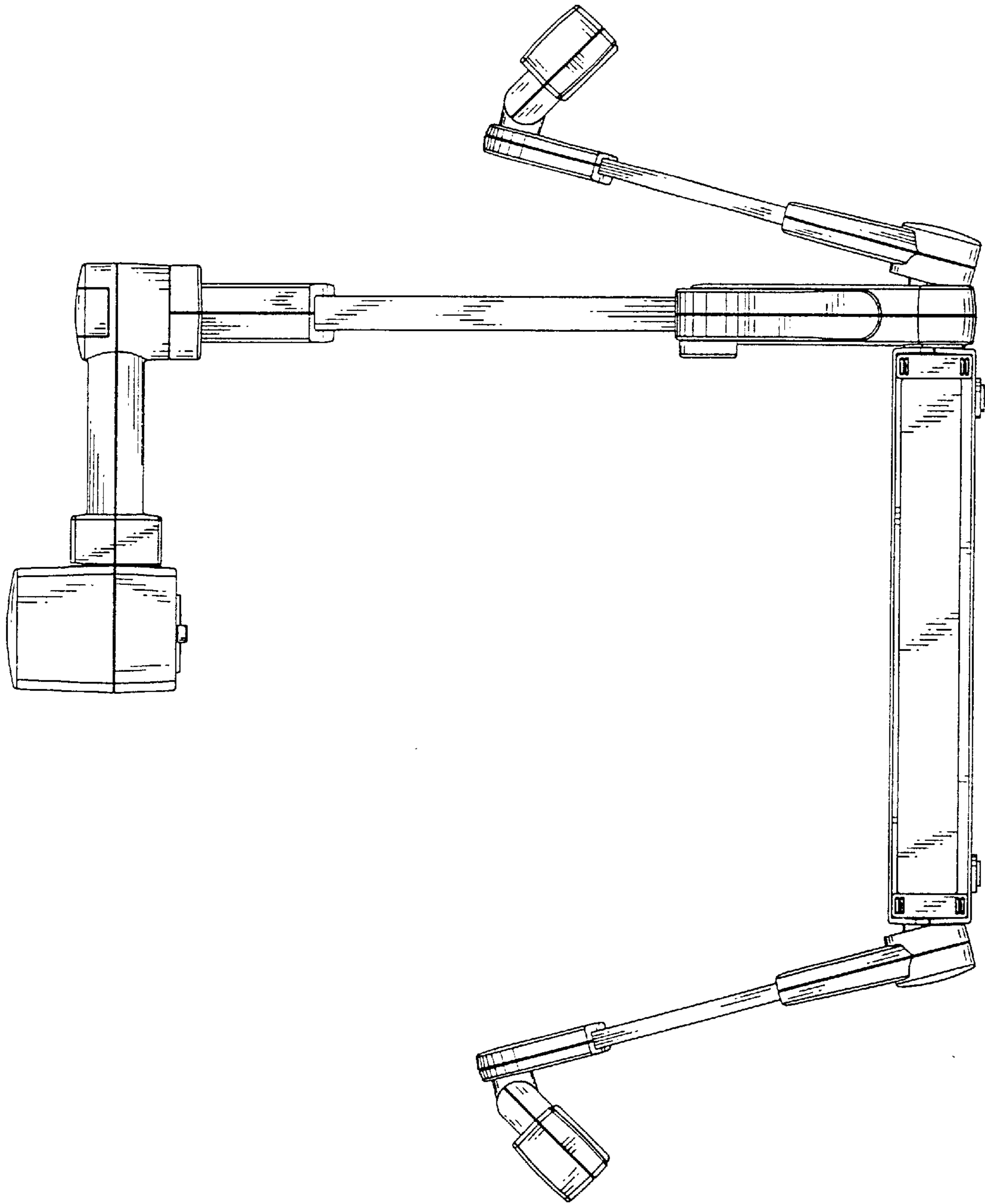


Fig. 2

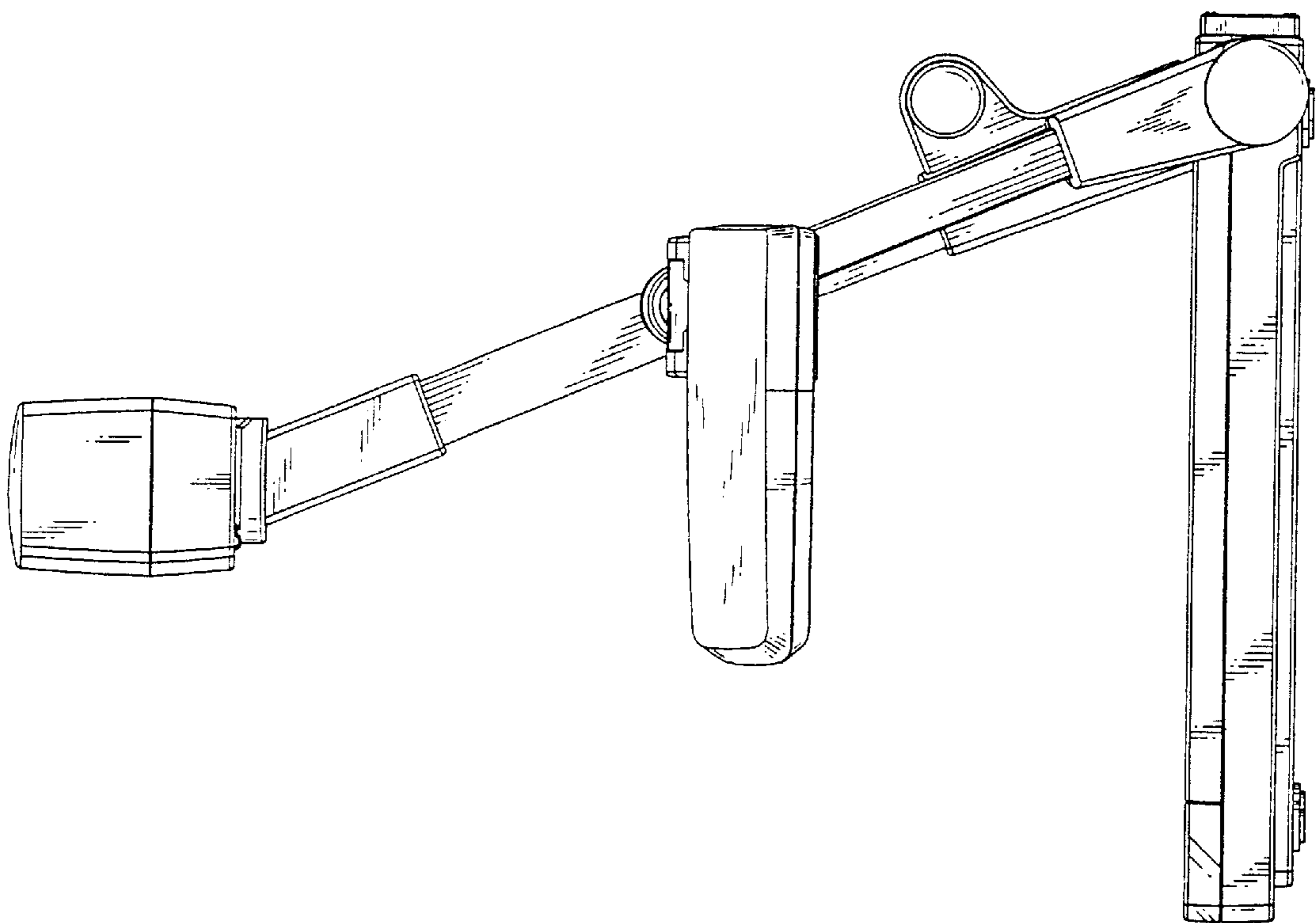


Fig. 3

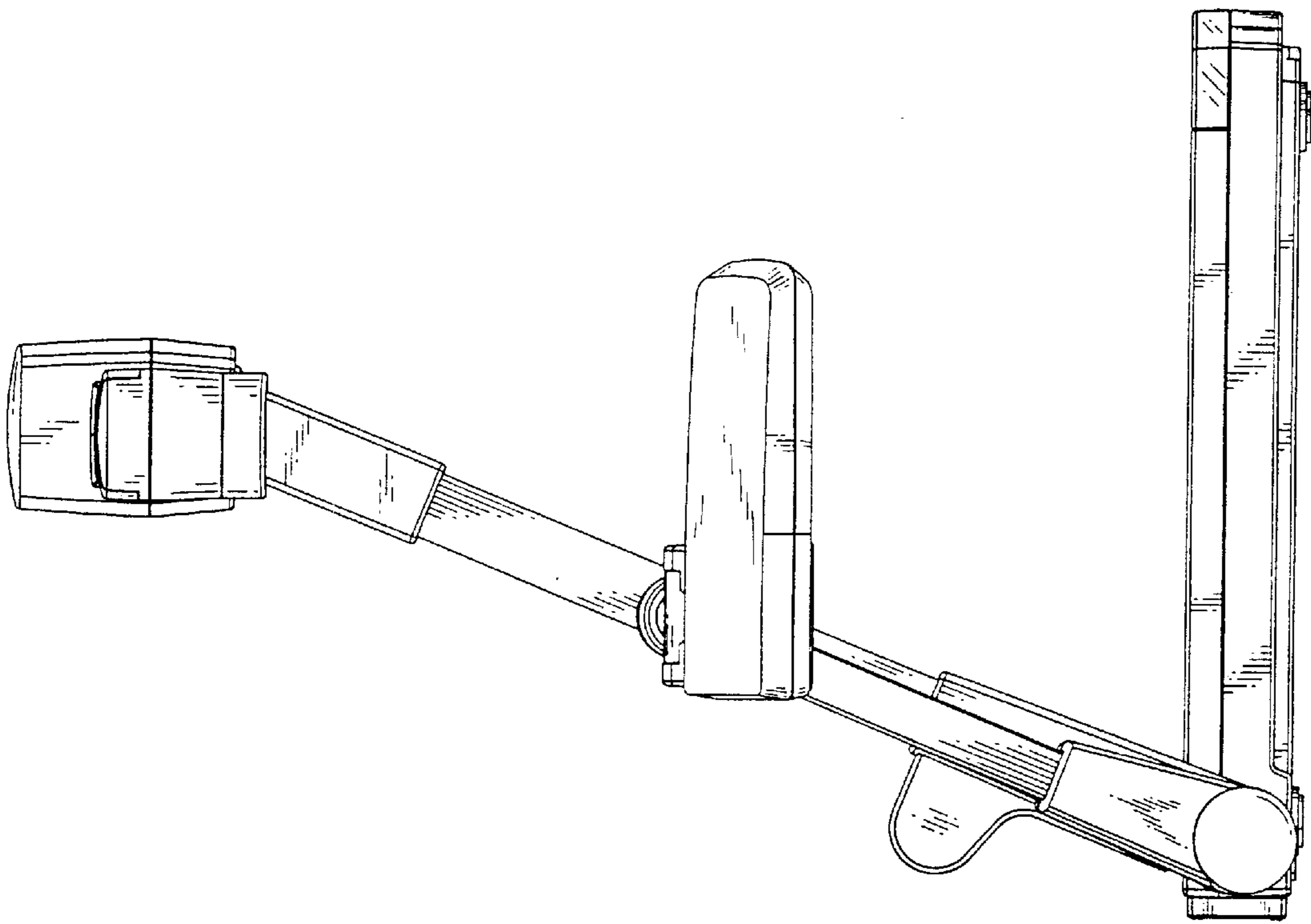


Fig. 4

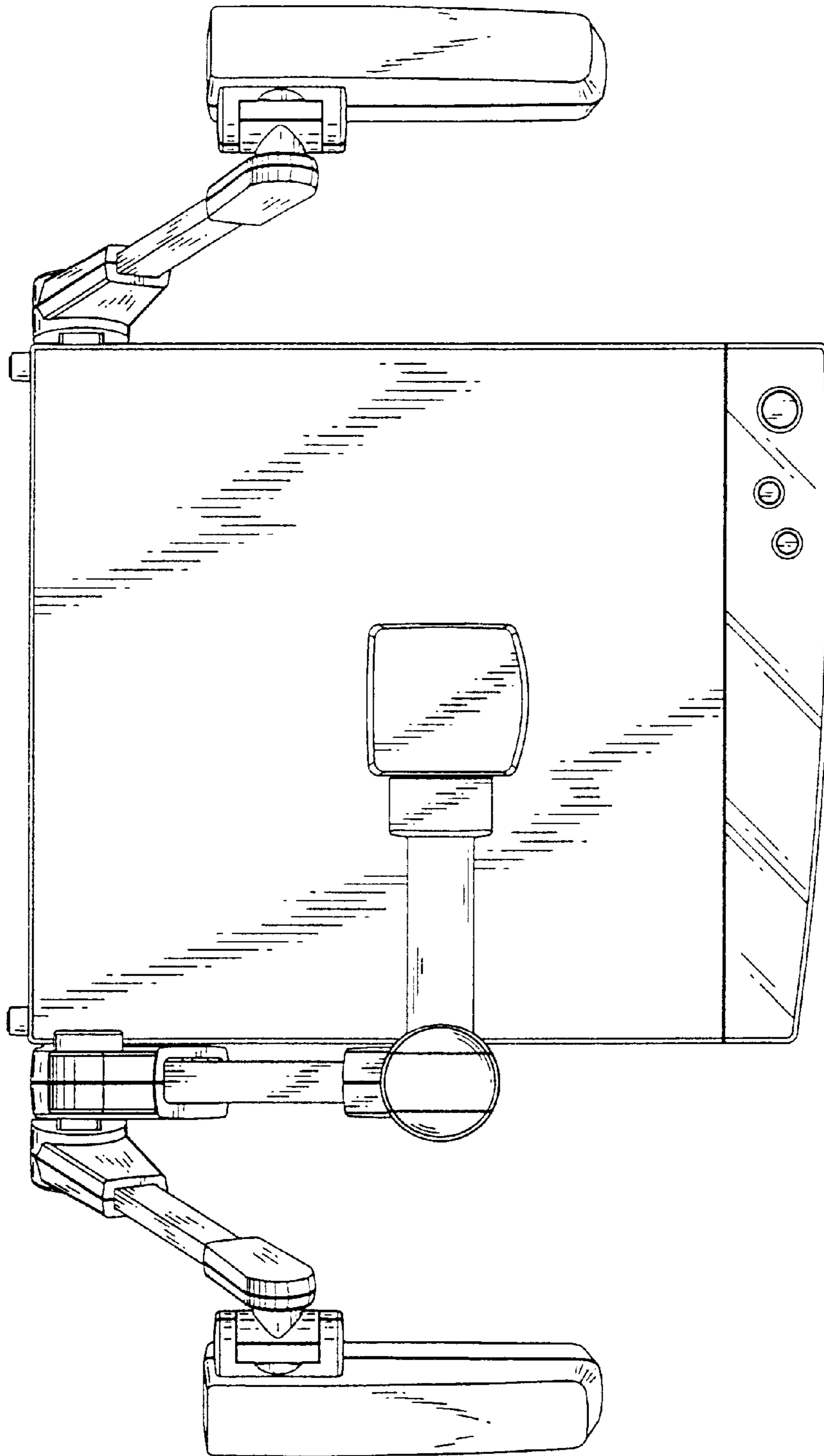


Fig. 5

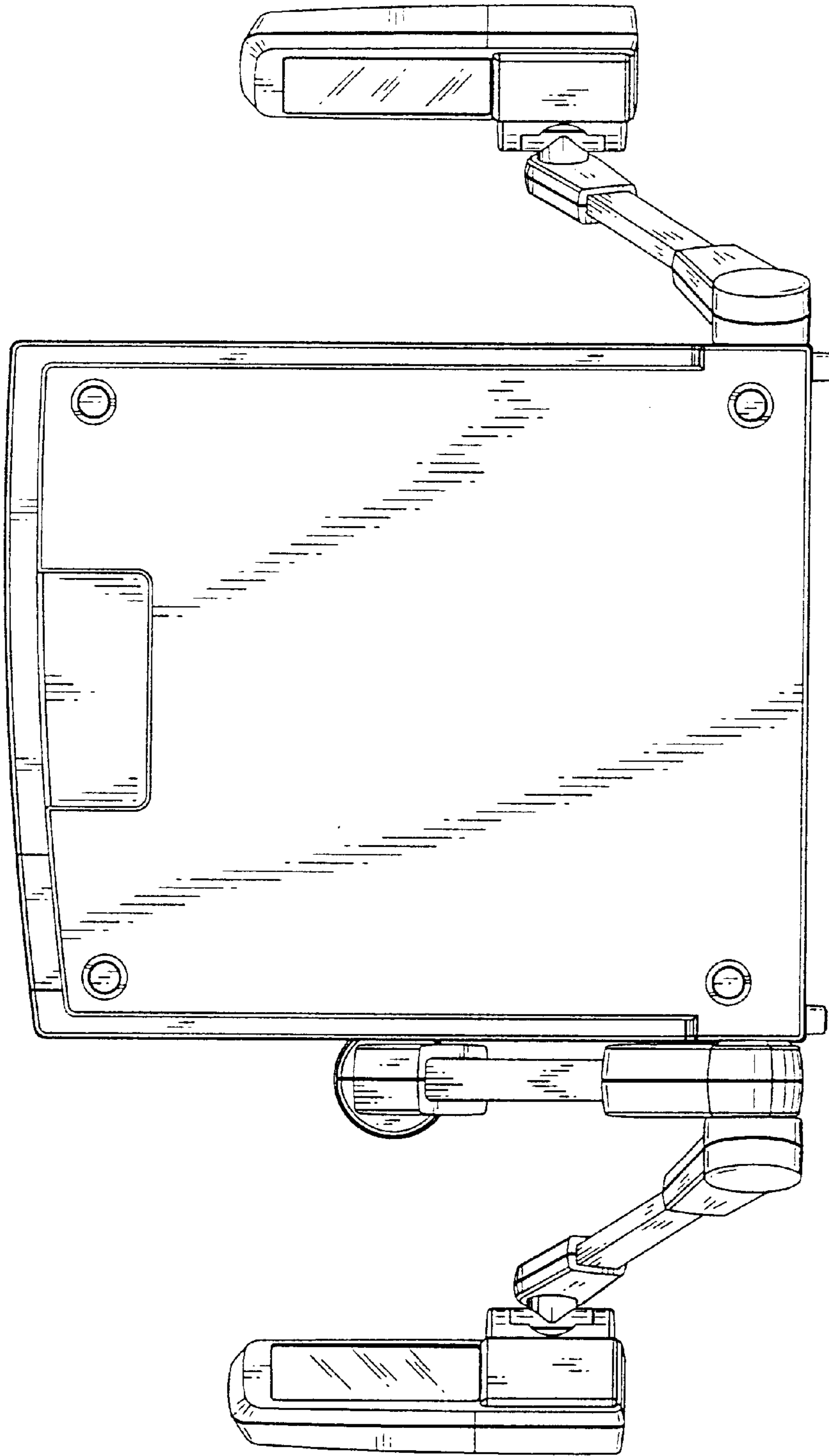


Fig. 6

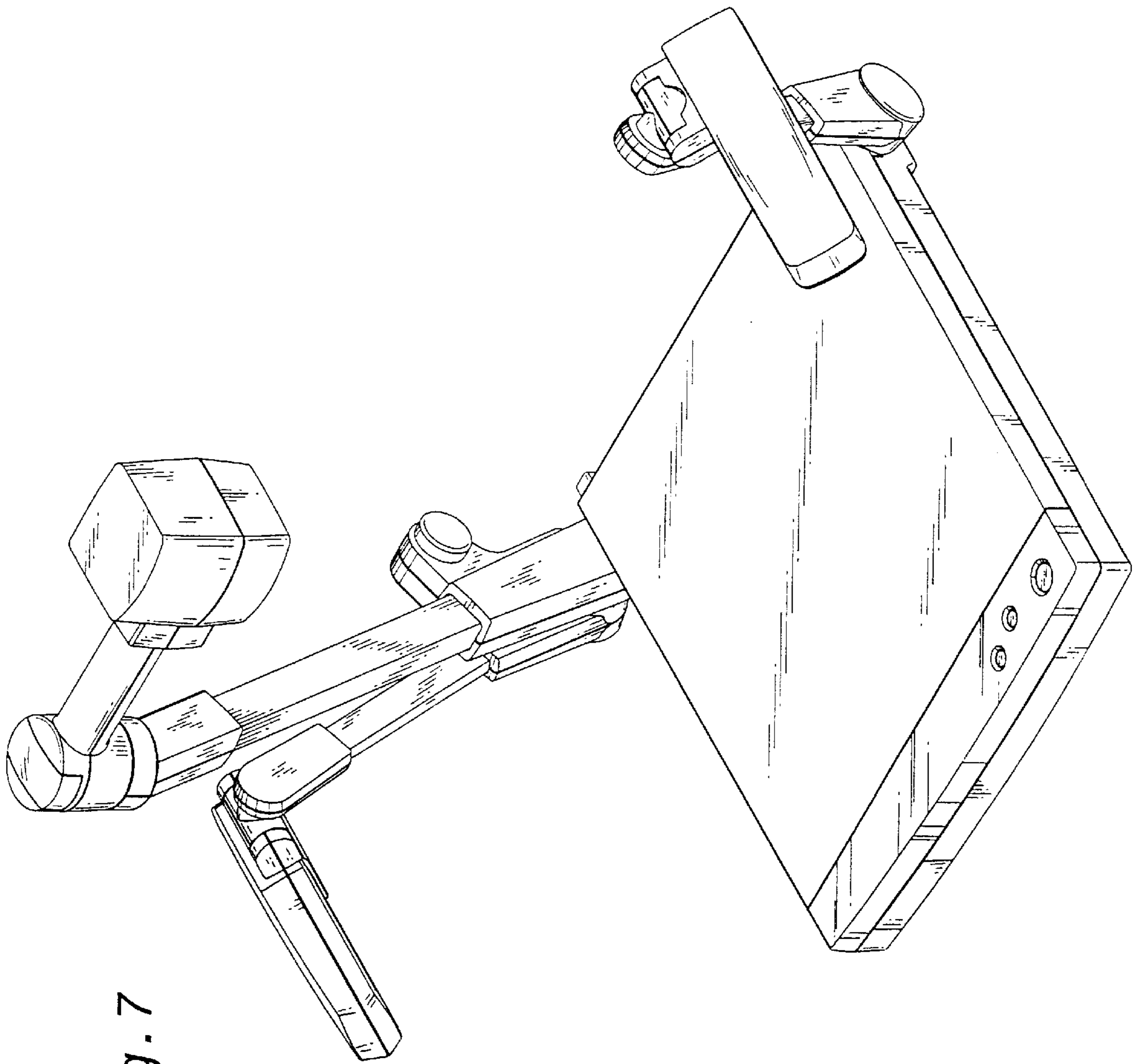


Fig. 7

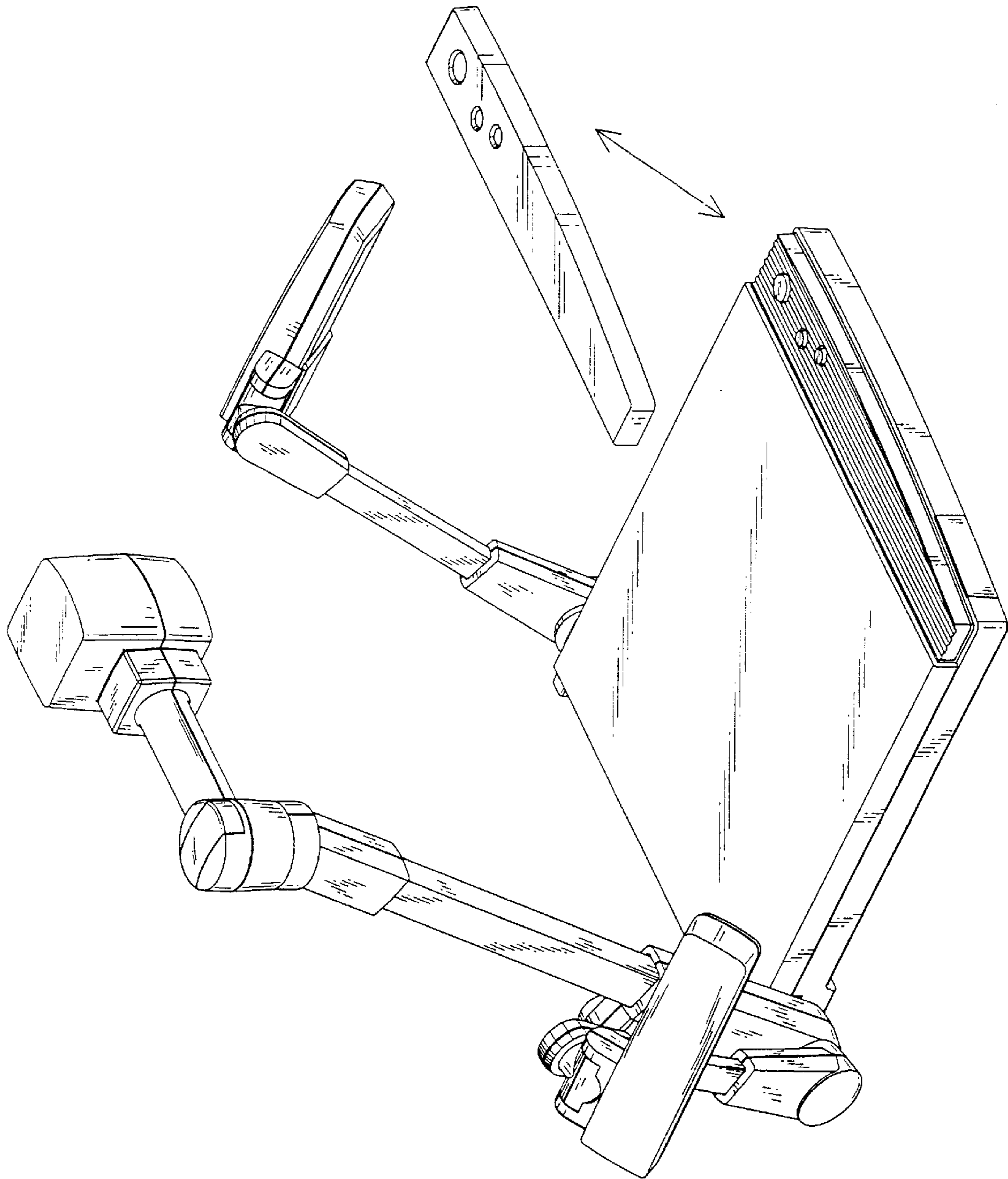


Fig. 8

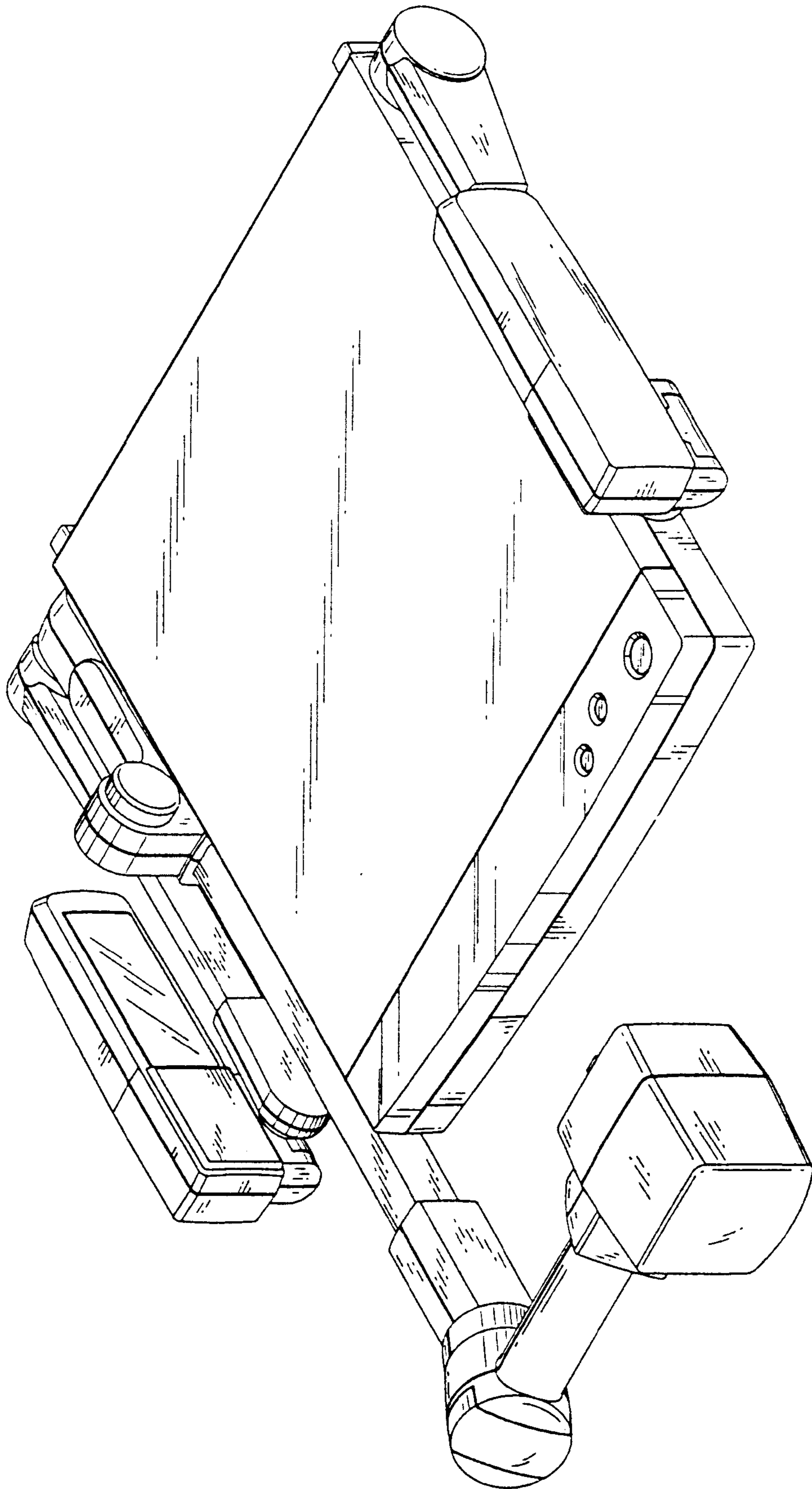


Fig. 9