



US00D454346S

(12) **United States Design Patent**
Kline et al.

(10) **Patent No.:** **US D454,346 S**

(45) **Date of Patent:** **** Mar. 12, 2002**

(54) **COMPUTER STORAGE ENCLOSURE**

(75) Inventors: **Jeff L. Kline**, Austin, TX (US); **Tim K. Murphy**, Chicago, IL (US); **Roland Zapfe**, Rochester, MN (US)

(73) Assignee: **International Business Machines Corporation**, Armonk, NY (US)

(**) Term: **14 Years**

(21) Appl. No.: **29/139,442**

(22) Filed: **Mar. 30, 2001**

(51) **LOC (7) Cl.** **14-02**

(52) **U.S. Cl.** **D14/312**

(58) **Field of Search** D14/308, 311,
D14/312, 349, 350-356, 363, 364; D13/162,
184, 199; 312/223.1-223.3; 360/99.01-99.12;
361/690-696; 369/34, 36

(56) **References Cited**

U.S. PATENT DOCUMENTS

D322,430 S * 12/1991 Kline et al. D14/349
D366,651 S * 1/1996 Hill et al. D14/363

D380,741 S * 7/1997 Hill et al. D14/308
D404,379 S * 1/1999 Murphy et al. D14/312
D404,725 S * 1/1999 Murphy et al. D14/311
D439,578 S * 3/2001 Murphy et al. D14/311

* cited by examiner

Primary Examiner—Freda Nunn

(74) *Attorney, Agent, or Firm*—James R. Nock

(57) **CLAIM**

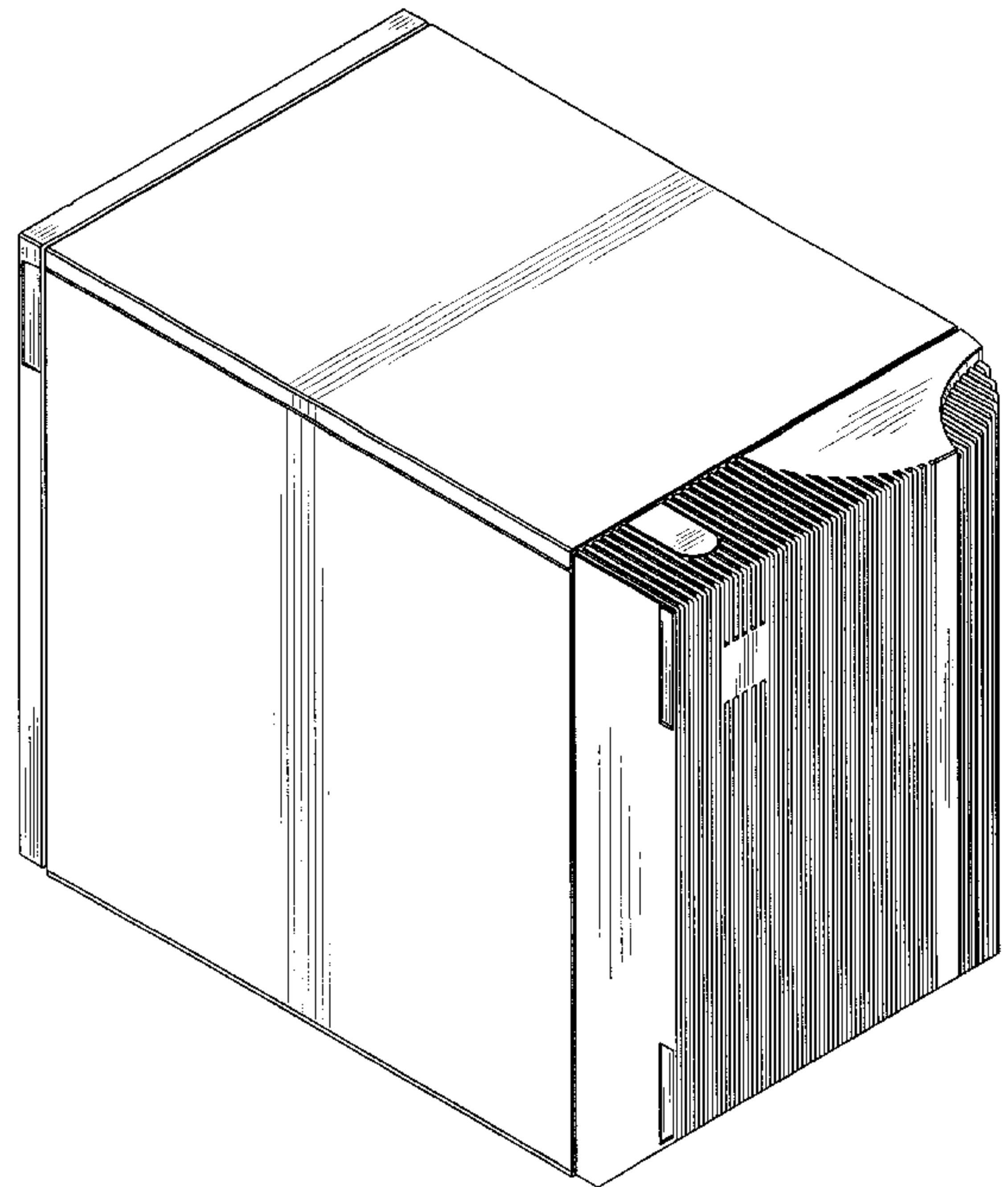
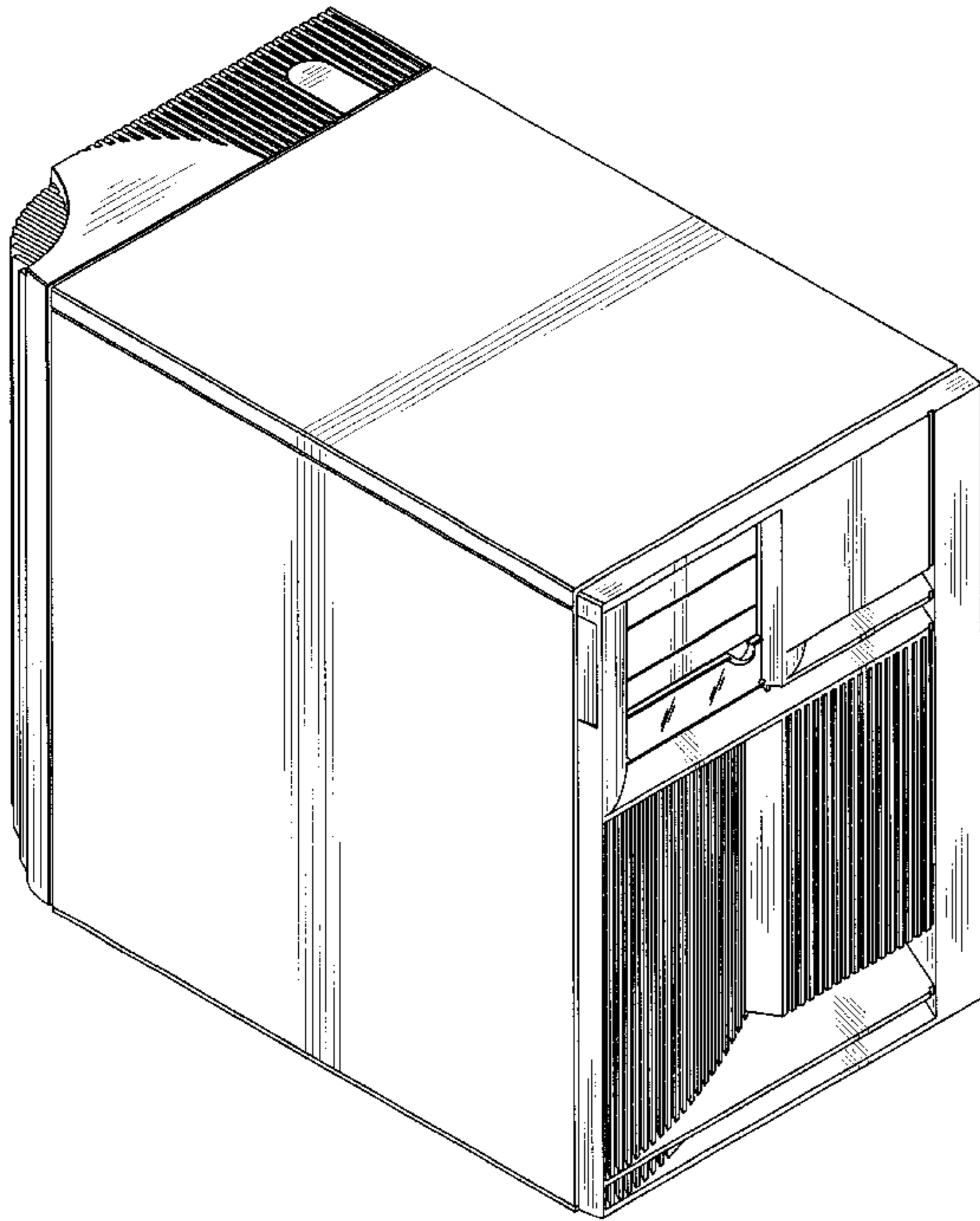
The ornamental design for a computer storage enclosure, as shown and described.

DESCRIPTION

FIG. 1 is a top, front, left side isometric view of a computer storage enclosure, showing our new design;
FIG. 2 is a top, rear, right side isometric view thereof;
FIG. 3 is a front view thereof;
FIG. 4 is a top plan view thereof;
FIG. 5 is a right view thereof;
FIG. 6 is a left side view thereof; and,
FIG. 7 is a rear view thereof.

The bottom of the computer storage enclosure is unornamented.

1 Claim, 7 Drawing Sheets



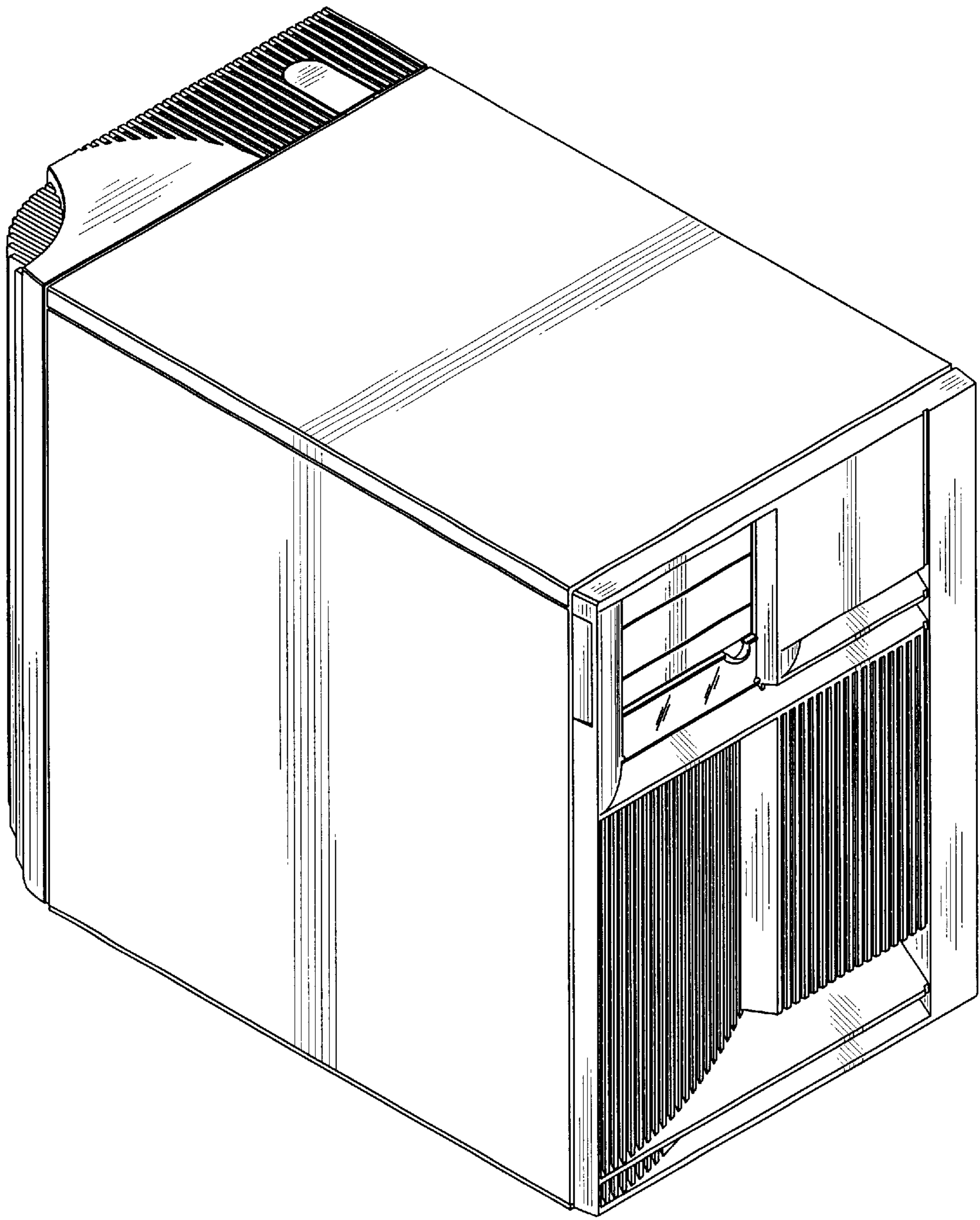


FIG. 1

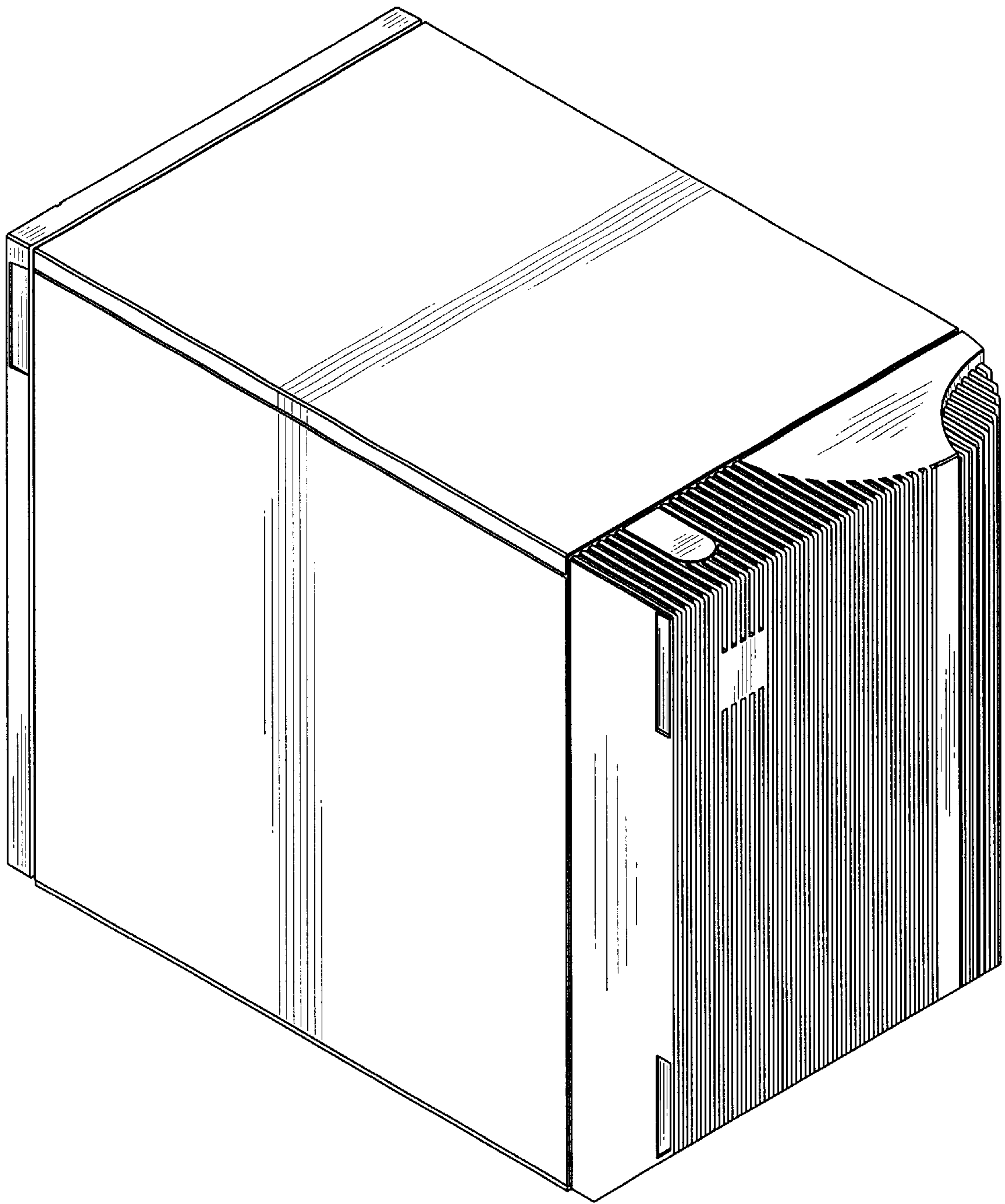


FIG. 2

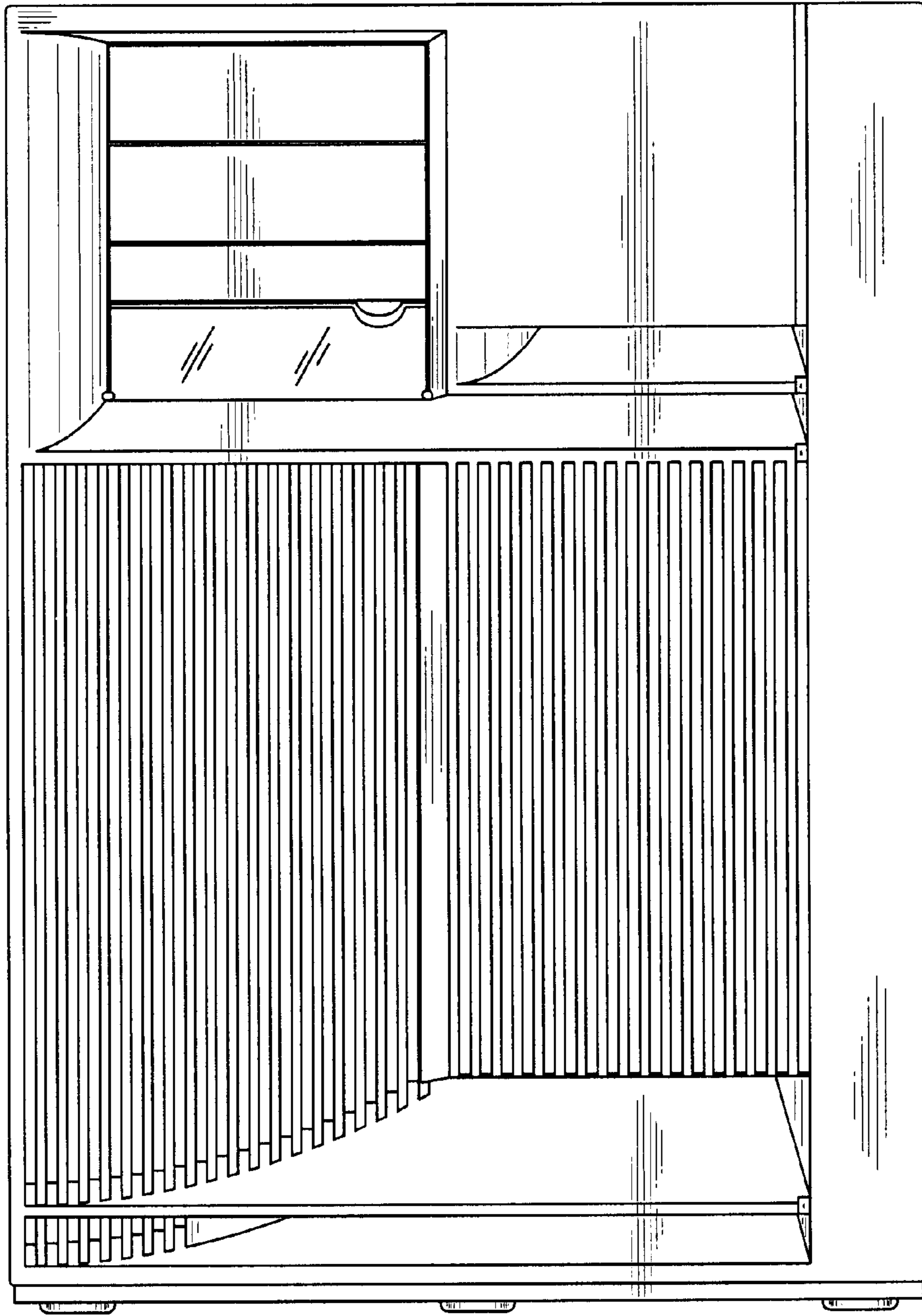


FIG. 3

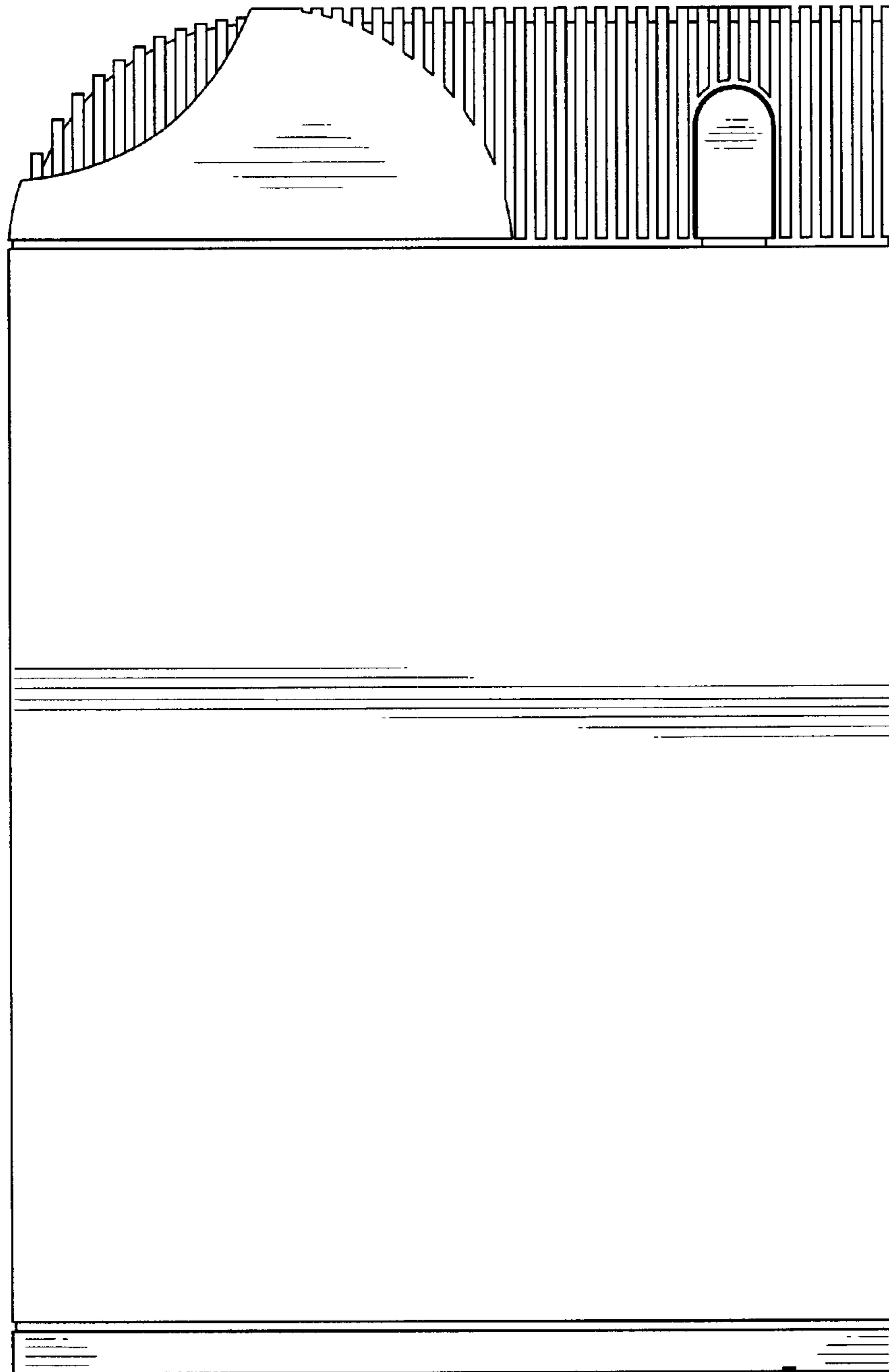


FIG. 4

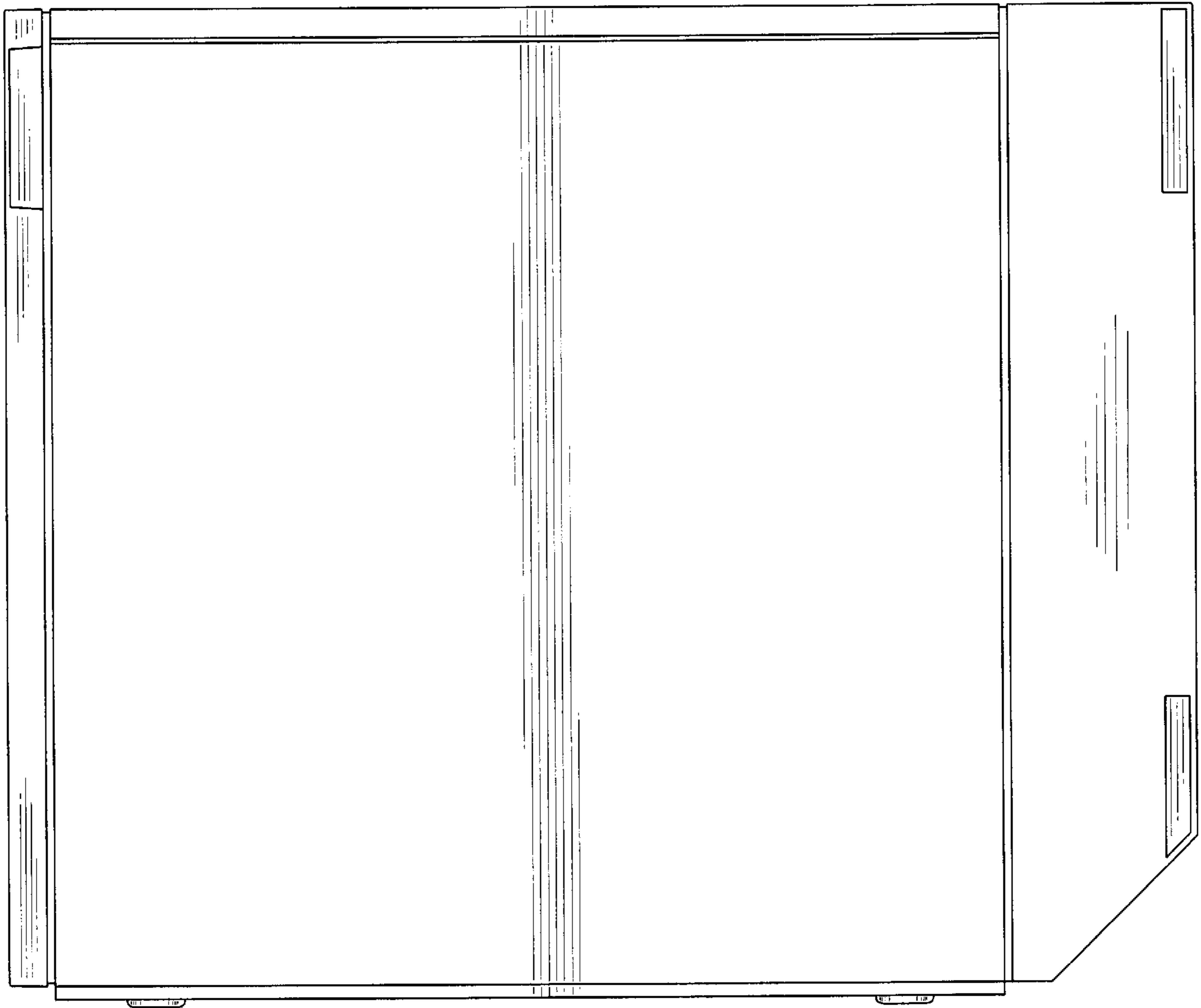


FIG. 5

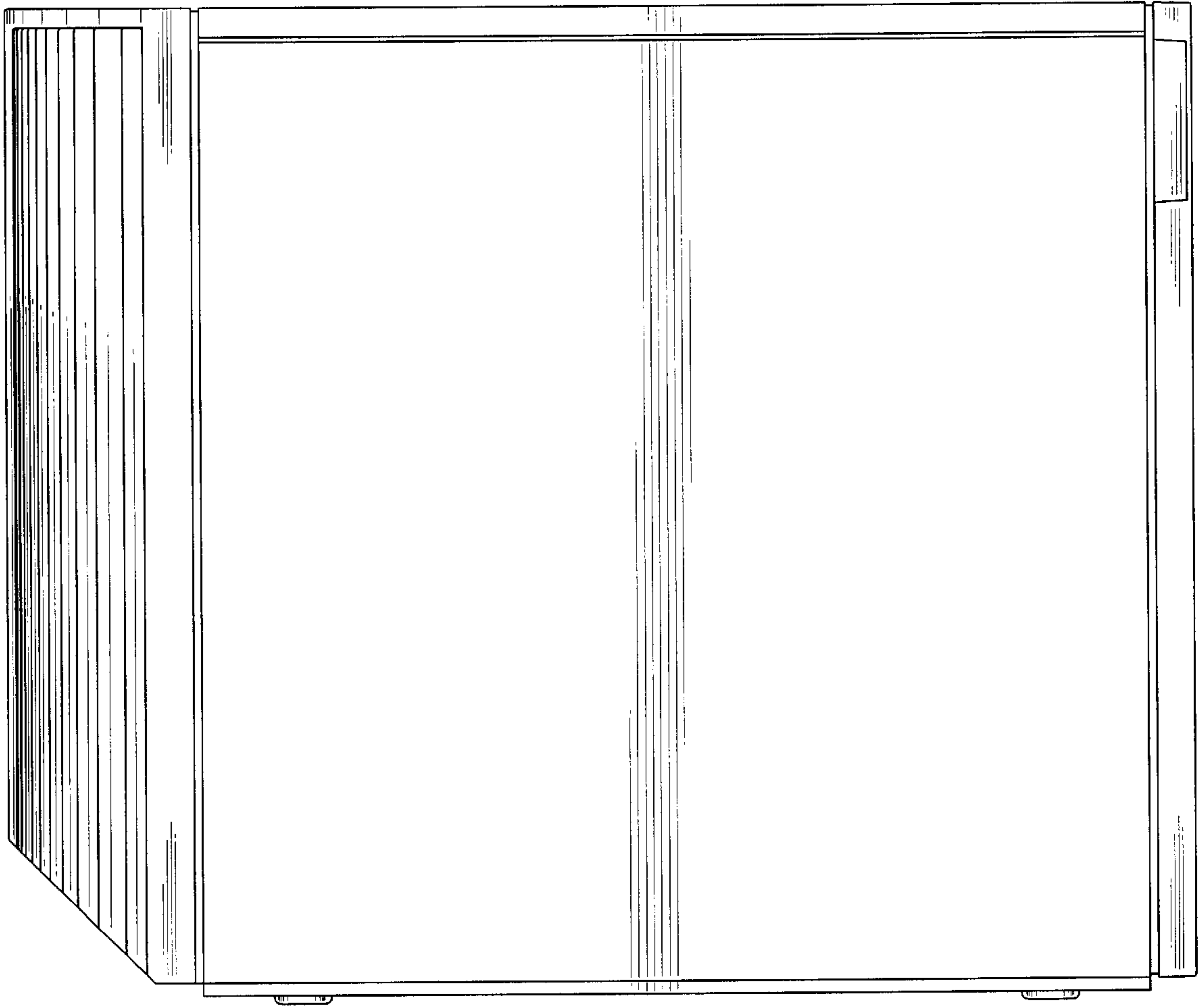


FIG. 6

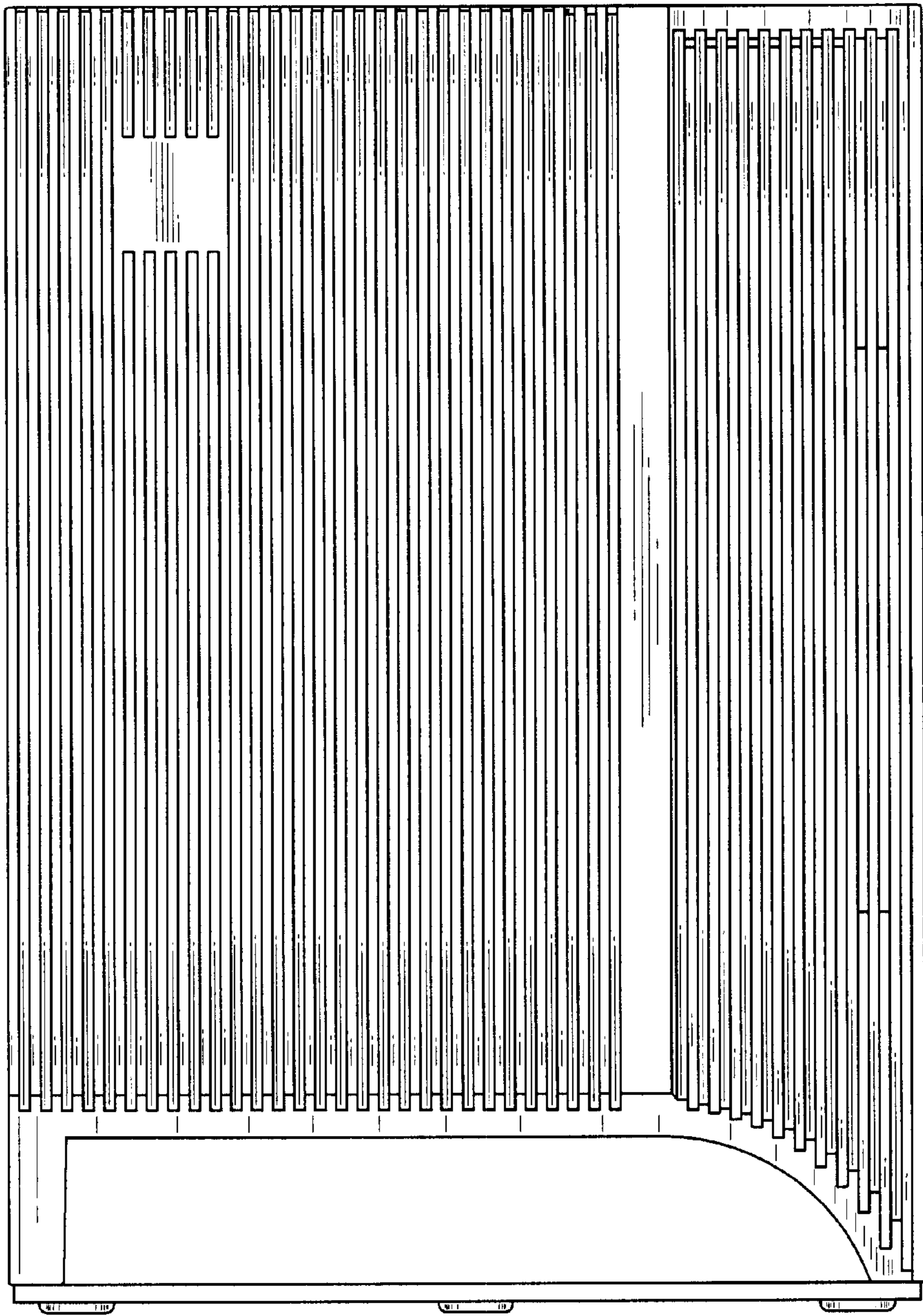


FIG. 7