



US00D454344S

(12) **United States Design Patent**
Tate et al.

(10) **Patent No.:** **US D454,344 S**
(45) **Date of Patent:** **** Mar. 12, 2002**

(54) **NOISE CANCELLATION DEVICE FOR USE WITH RECORDING DEVICES**

(75) Inventors: **Joseph B. Tate**, Sausalito; **Steven B. Wolff**, Woodacre, both of CA (US)

(73) Assignee: **UME Voice, Inc.**, Novato, CA (US)

(**) Term: **14 Years**

(21) Appl. No.: **29/131,296**

(22) Filed: **Oct. 19, 2000**

(51) **LOC (7) Cl.** **14-03**

(52) **U.S. Cl.** **D14/260**

(58) **Field of Search** D14/240, 249, D14/137, 138, 140, 142, 147, 148, 250; 379/433, 419, 420, 428, 440, 451, 452, 439, 437, 441, 442, 447; 381/169, 160, 91, 355, 356, 357; 361/303, 313; 455/90

(56) **References Cited**

U.S. PATENT DOCUMENTS

- D29,707 S 11/1898 Mulconroy
- D135,303 S 3/1943 Scher
- D183,019 S * 6/1958 Porter D14/249
- 2,851,544 A 9/1958 Wisdom
- D197,773 S * 3/1964 Ugartechea D14/249
- 3,231,688 A 1/1966 Ugartechea
- D214,128 S * 5/1969 Erikson D14/249
- D216,802 S 3/1970 Kliewer
- 3,632,902 A 1/1972 Wahler
- 4,001,893 A 1/1977 Yamamoto
- 4,773,091 A 9/1988 Busche et al.
- 4,823,384 A 4/1989 Lindsay
- 4,850,016 A 7/1989 Groves et al.
- 5,001,763 A * 3/1991 Moseley 381/71.6
- D320,798 S 10/1991 Holt
- 5,117,461 A 5/1992 Moseley
- 5,134,659 A * 7/1992 Moseley 381/163
- 5,182,774 A 1/1993 Bourk
- 5,239,578 A 8/1993 Regen et al.

- 5,268,965 A 12/1993 Badie et al.
- 5,282,245 A 1/1994 Anderson
- 5,329,593 A 7/1994 Lazzeroni et al.
- 5,341,420 A 8/1994 Hollier et al.
- 5,343,523 A 8/1994 Bartlett et al.
- 5,394,467 A 2/1995 Kepley, III et al.
- 5,448,637 A 9/1995 Yamaguchi et al.
- 5,491,747 A 2/1996 Bartlett et al.
- 5,524,058 A 6/1996 Moseley
- D396,235 S 7/1998 Tate et al.
- 5,854,848 A 12/1998 Tate et al.

FOREIGN PATENT DOCUMENTS

EP 0 455 160 11/1991

OTHER PUBLICATIONS

Wickstrom, Timothy K., "Microphones for Multimedia Speech Applications", Knowles Electronics, Inc., Itasca, IL, date not known.

* cited by examiner

Primary Examiner—Prabhakar Deshmukh

(74) *Attorney, Agent, or Firm*—Burns Doane Swecker & Mathis LLP

(57) **CLAIM**

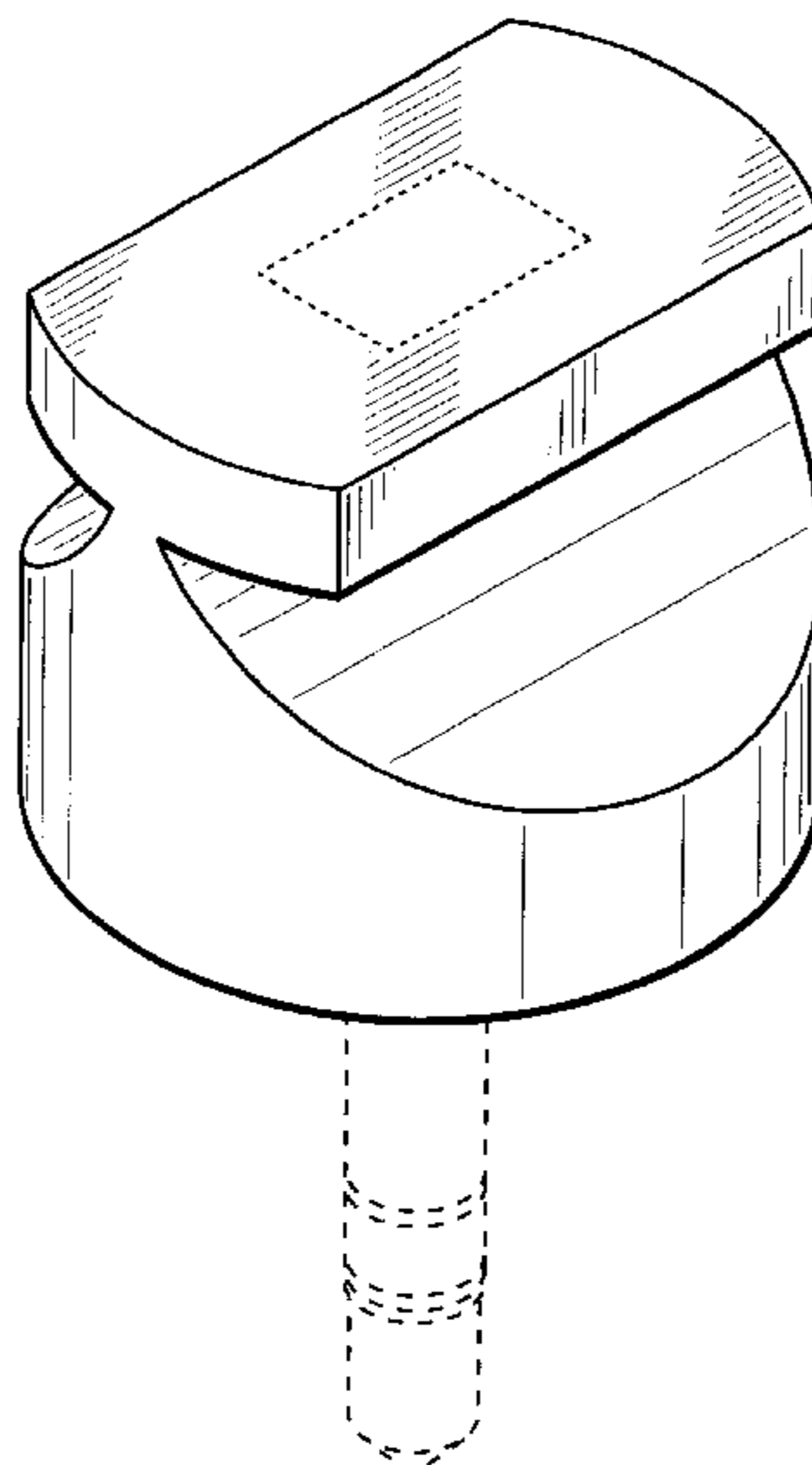
The ornamental design for a noise cancellation device for use with recording devices, as shown and described.

DESCRIPTION

FIG. 1 is a perspective view of a noise cancellation device for use with recording devices showing our new design; FIG. 2 is a left elevational view thereof; FIG. 3 is a right elevational view thereof; FIG. 4 is a front elevational view thereof; FIG. 5 is a rear elevational view thereof; FIG. 6 is a top plan view thereof; and, FIG. 7 is a bottom plan view thereof.

The broken line showing in FIGS. 1-7 is for illustrative purposes only and forms no part of the claimed invention.

1 Claim, 3 Drawing Sheets



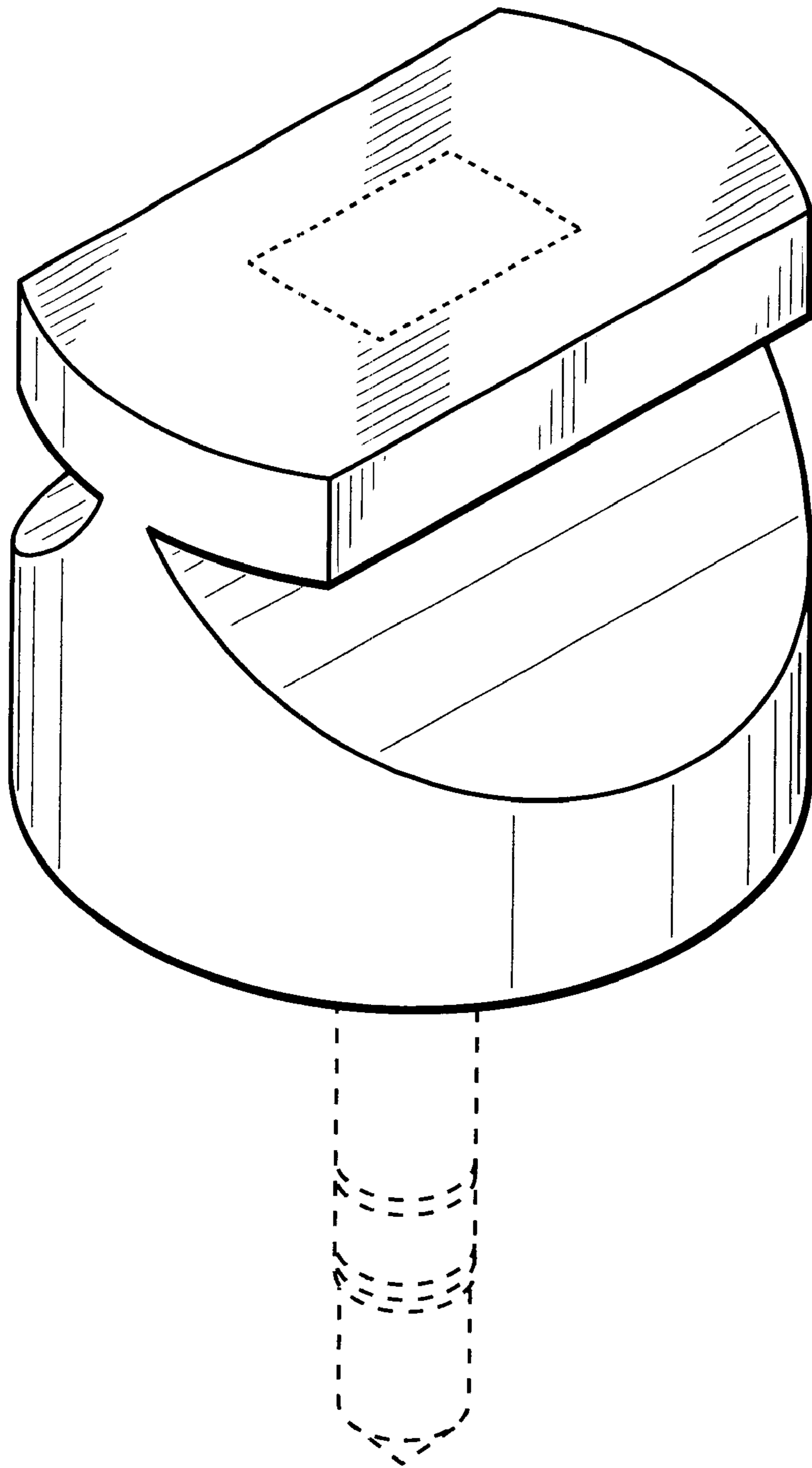


FIG. 1

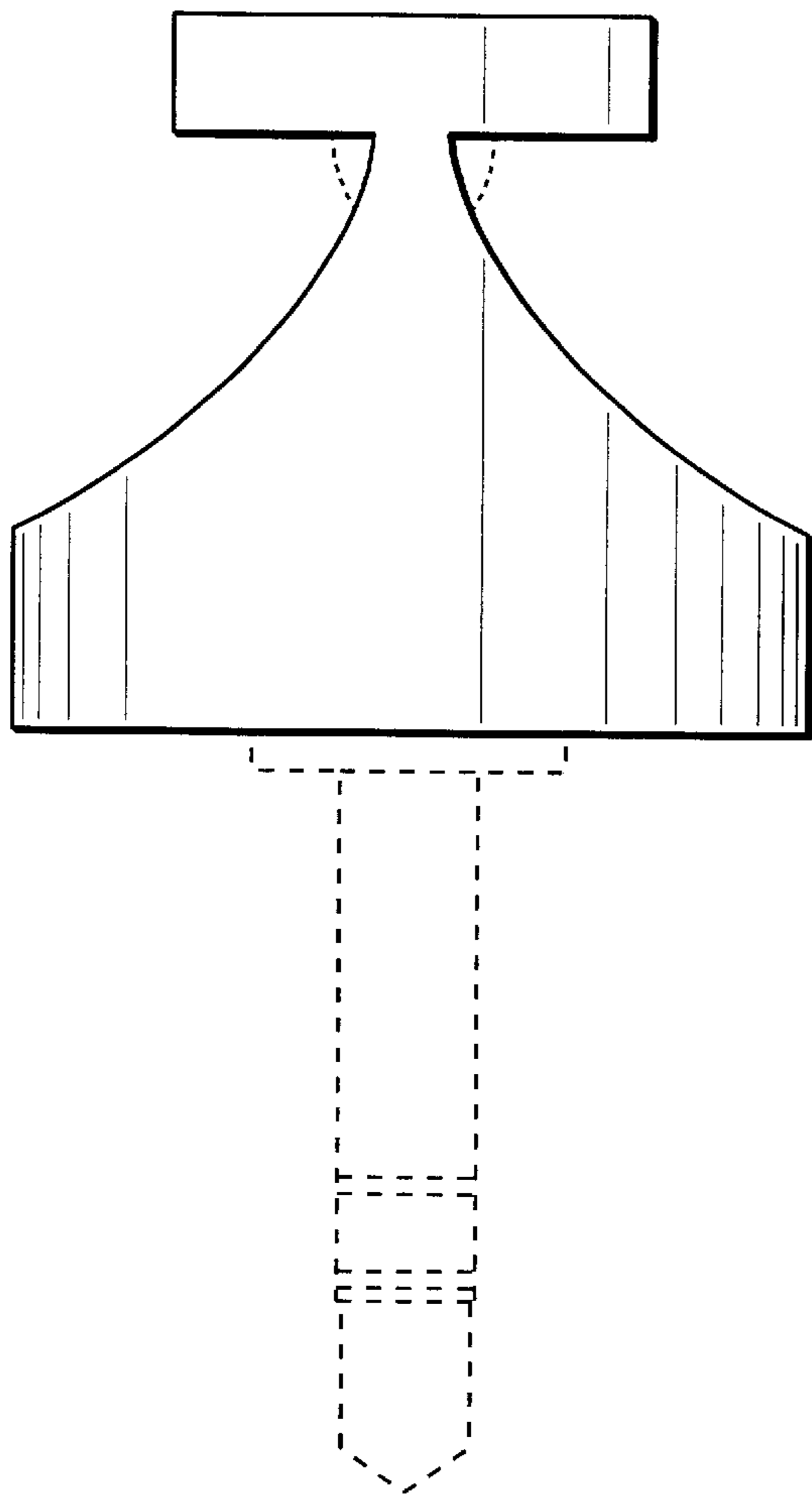


FIG._2

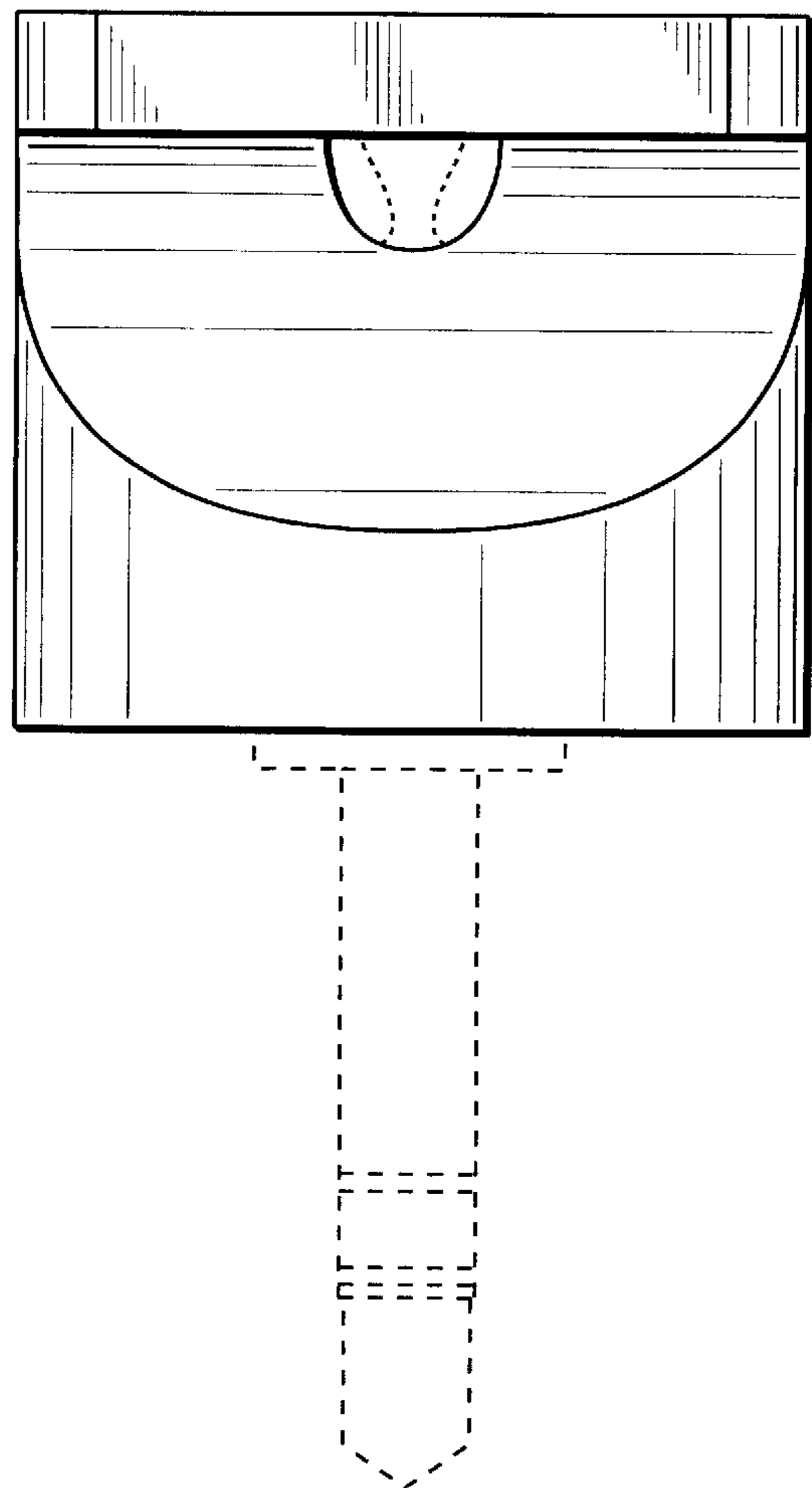


FIG._4

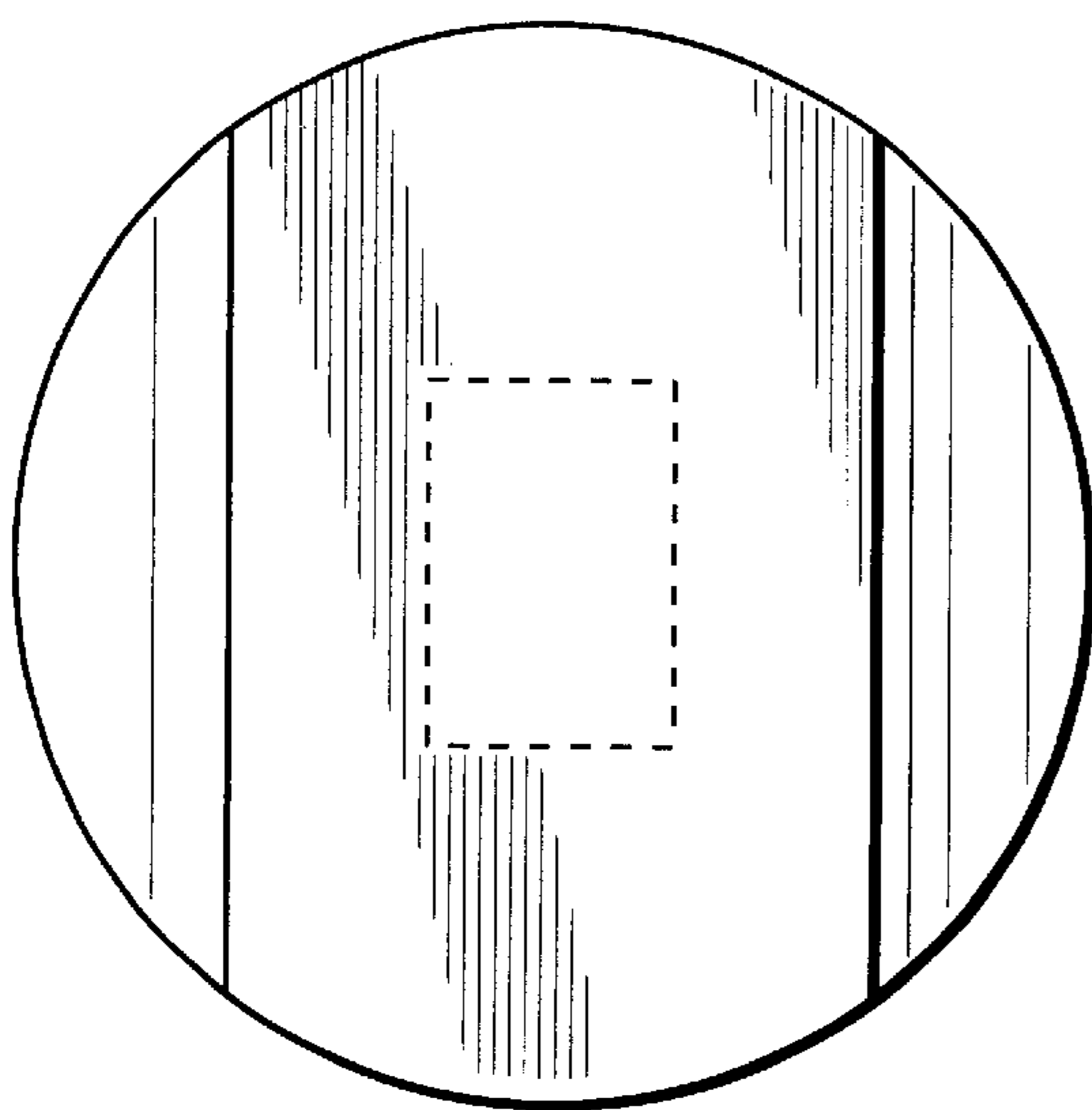


FIG._6

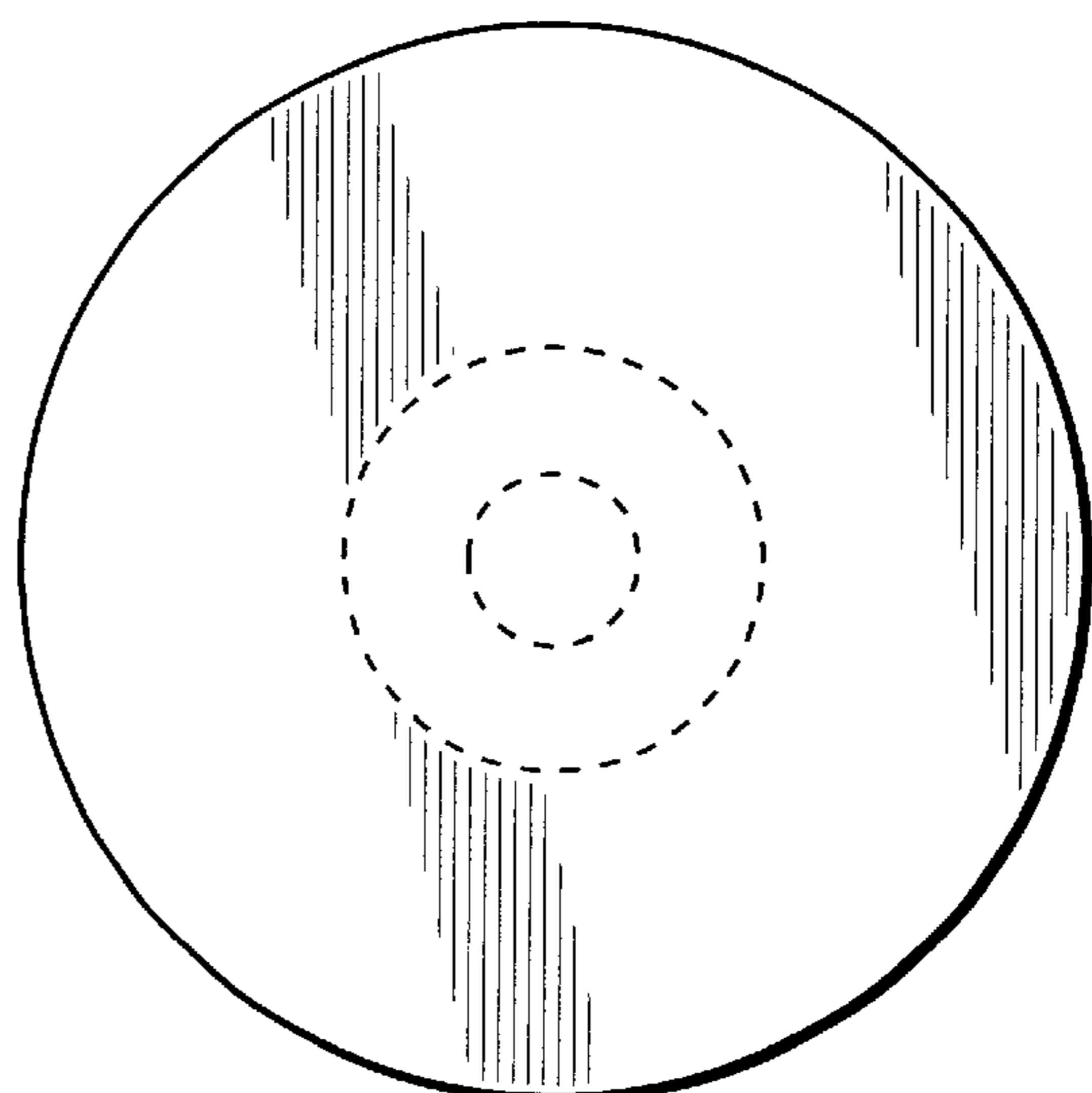


FIG._7

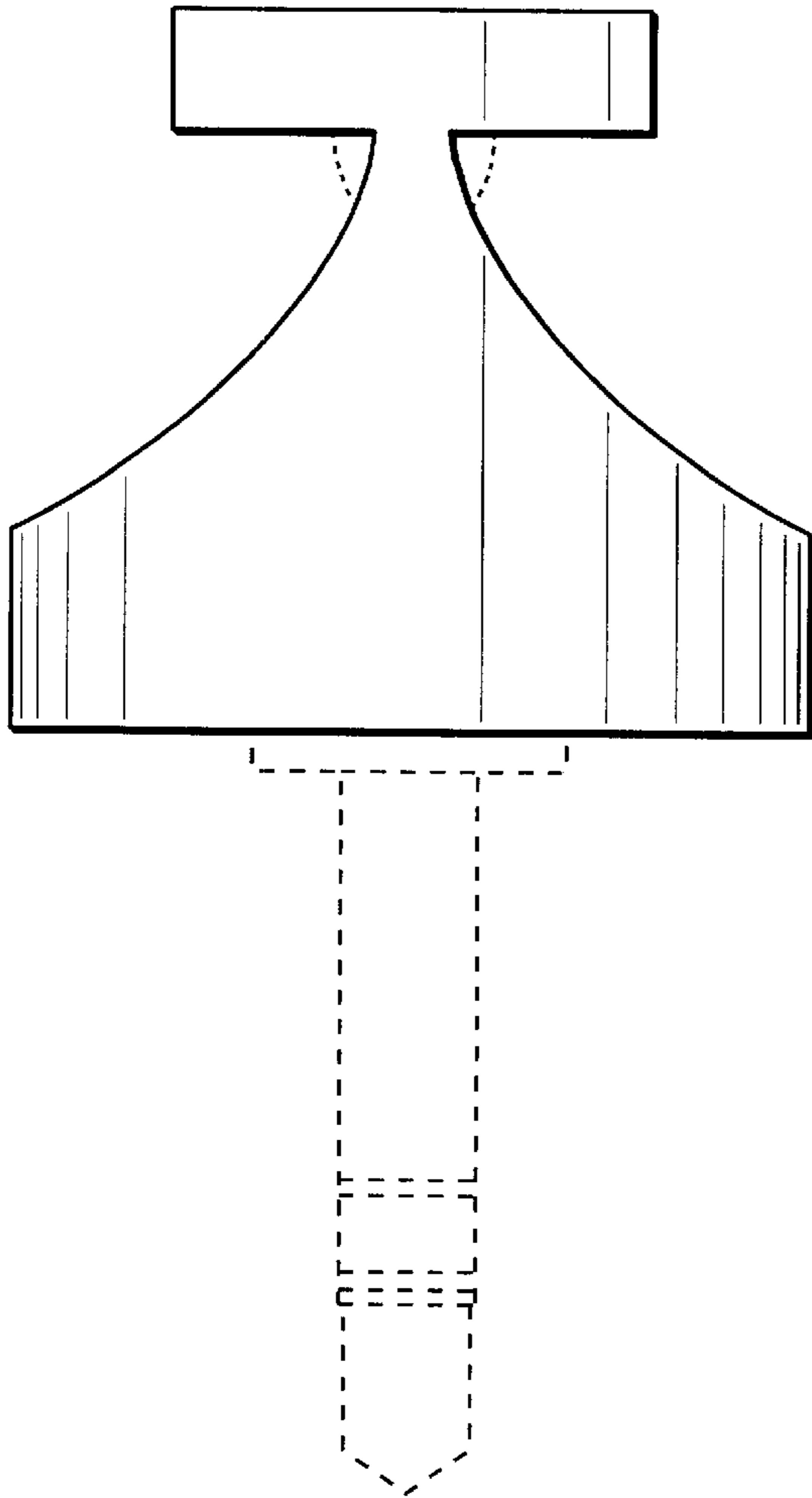


FIG._3

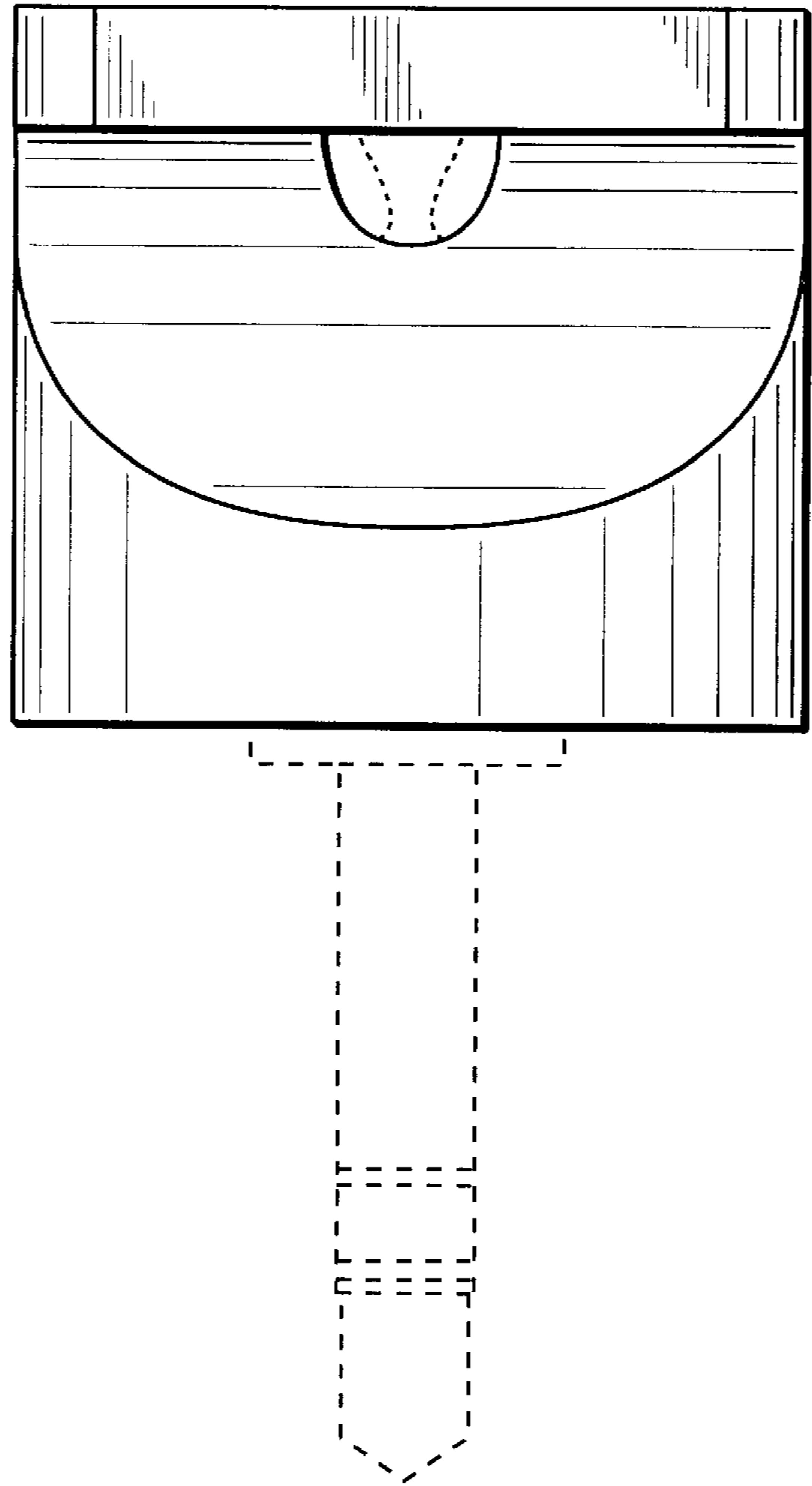


FIG._5