



US00D454343S

(12) **United States Design Patent**
Hicks

(10) **Patent No.:** **US D454,343 S**

(45) **Date of Patent:** **** Mar. 12, 2002**

(54) **BOX FOR A TELEPHONE HANDSET**

(76) **Inventor:** **Samuel Hicks**, 1130 Charing Goss Dr.,
Crofton, MD (US) 21114

(**) **Term:** **14 Years**

(21) **Appl. No.:** **29/137,898**

(22) **Filed:** **Mar. 2, 2001**

(51) **LOC (7) Cl.** **14-03**

(52) **U.S. Cl.** **D14/253; D14/142**

(58) **Field of Search** D14/137, 138,
D14/218, 147-148, 247-248, 144, 149-151,
341-347; 379/433.01-433.13, 419, 434,
428.01-428.04, 420.01-420.04, 440; 455/550-575,
90

(56) **References Cited**

U.S. PATENT DOCUMENTS

D263,702 S	*	4/1982	Fukushima et al.	D14/138
D263,703 S	*	4/1982	Fukushima et al.	D14/138
D263,706 S	*	4/1982	Fukushima et al.	D14/138
D264,078 S	*	4/1982	Fukushima et al.	D14/138
D267,318 S	*	12/1982	Fukushima et al.	D14/138
D270,534 S	*	9/1983	Bloem, Sr.	D14/138
D292,976 S	*	12/1987	Kando	D14/466
D297,639 S	*	9/1988	Watanabe	D14/138
D297,733 S	*	9/1988	Watanabe	D14/138
D300,429 S	*	3/1989	Watanabe	D14/138
4,881,258 A	*	11/1989	Kaiwa et al.	455/550

D305,533 S	*	1/1990	Perkins et al.	D14/151
D312,635 S	*	12/1990	Culbertson	D14/138
D325,908 S	*	5/1992	Seki et al.	D14/138
D331,582 S	*	12/1992	Konno	D14/137
D339,129 S	*	9/1993	Watson	D14/138
D378,753 S	*	4/1997	DiBlasi et al.	D14/151

* cited by examiner

Primary Examiner—Jeffrey Asch

(74) *Attorney, Agent, or Firm*—Eric P. Schellin

(57) **CLAIM**

The ornamental design of the box for a telephone handset, as shown and described.

DESCRIPTION

FIG. 1 is a front view of the box with a telephone line, handset recess, and handset shown by dotted lines;
 FIG. 2 is a top view of the box with a telephone line, handset recess, and handset shown by dotted lines;
 FIG. 3 is a one side view of the box;
 FIG. 4 is a rear view of the box with a telephone line shown by dotted lines;
 FIG. 5 is the other side view of the box; and,
 FIG. 6 is a bottom view of the box with a telephone line shown by dotted lines.
 The broken line shown throughout the views are for illustrative purposes only and form no part of the claimed design.

1 Claim, 3 Drawing Sheets

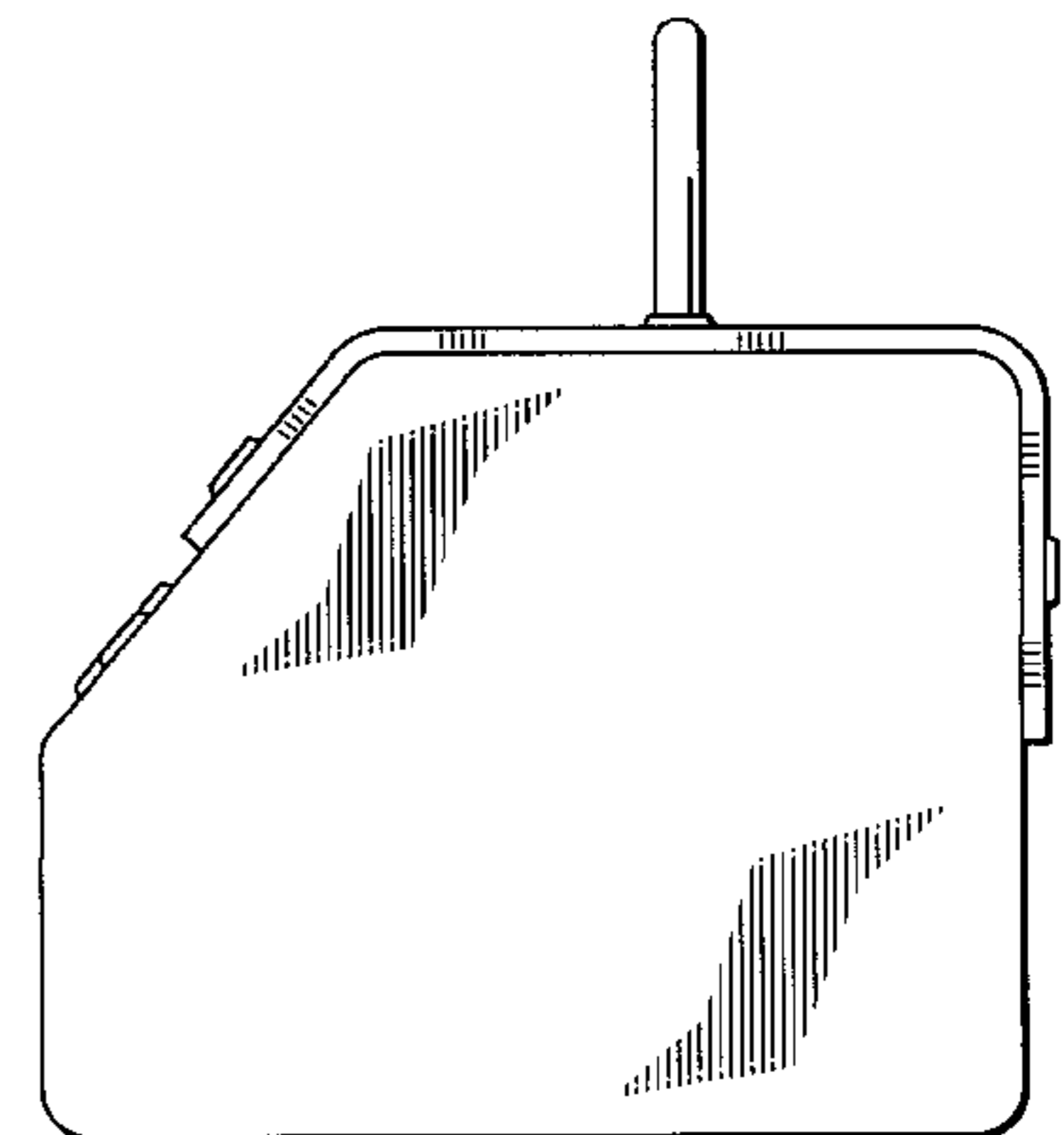
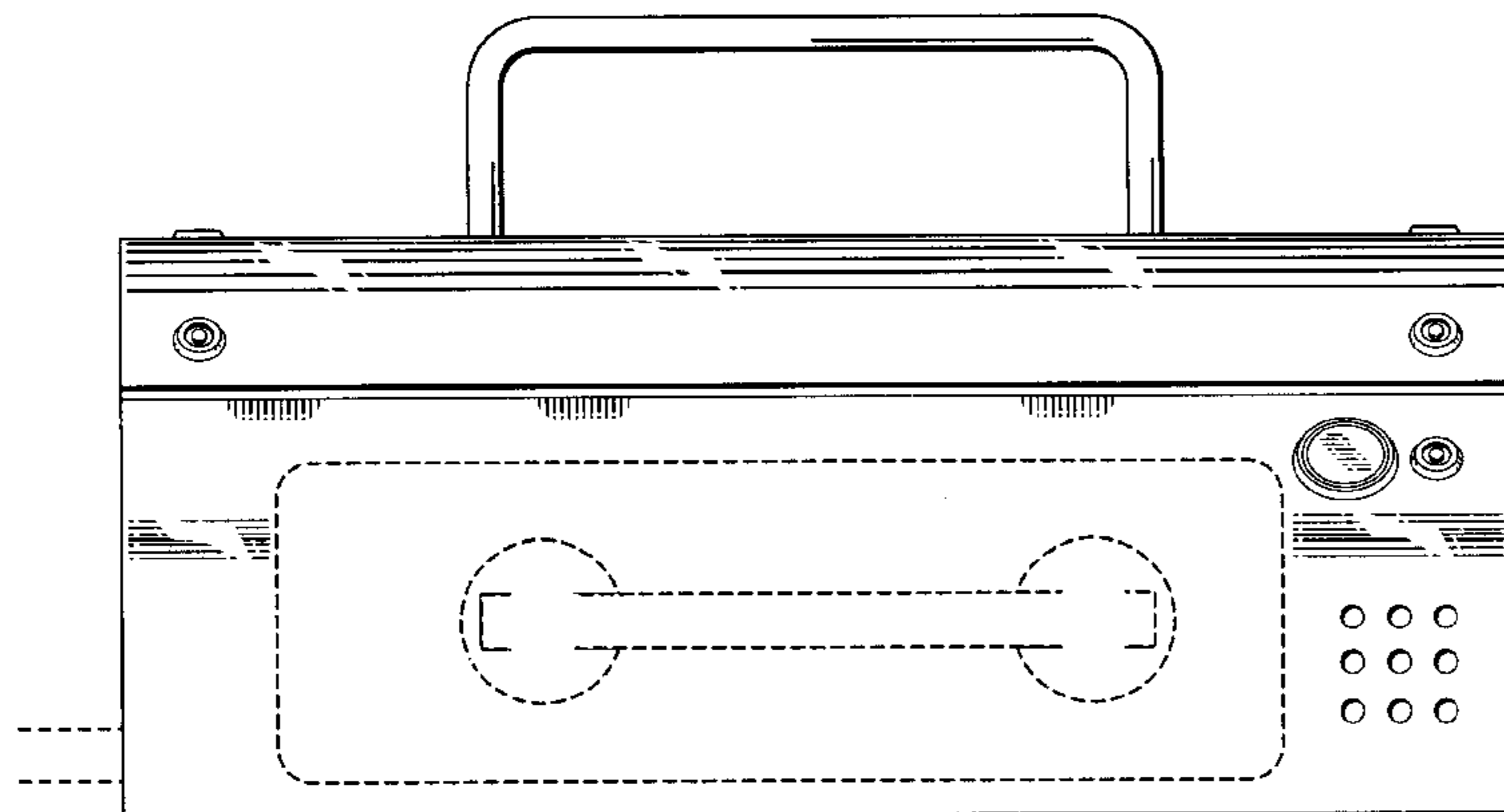


Fig. 2

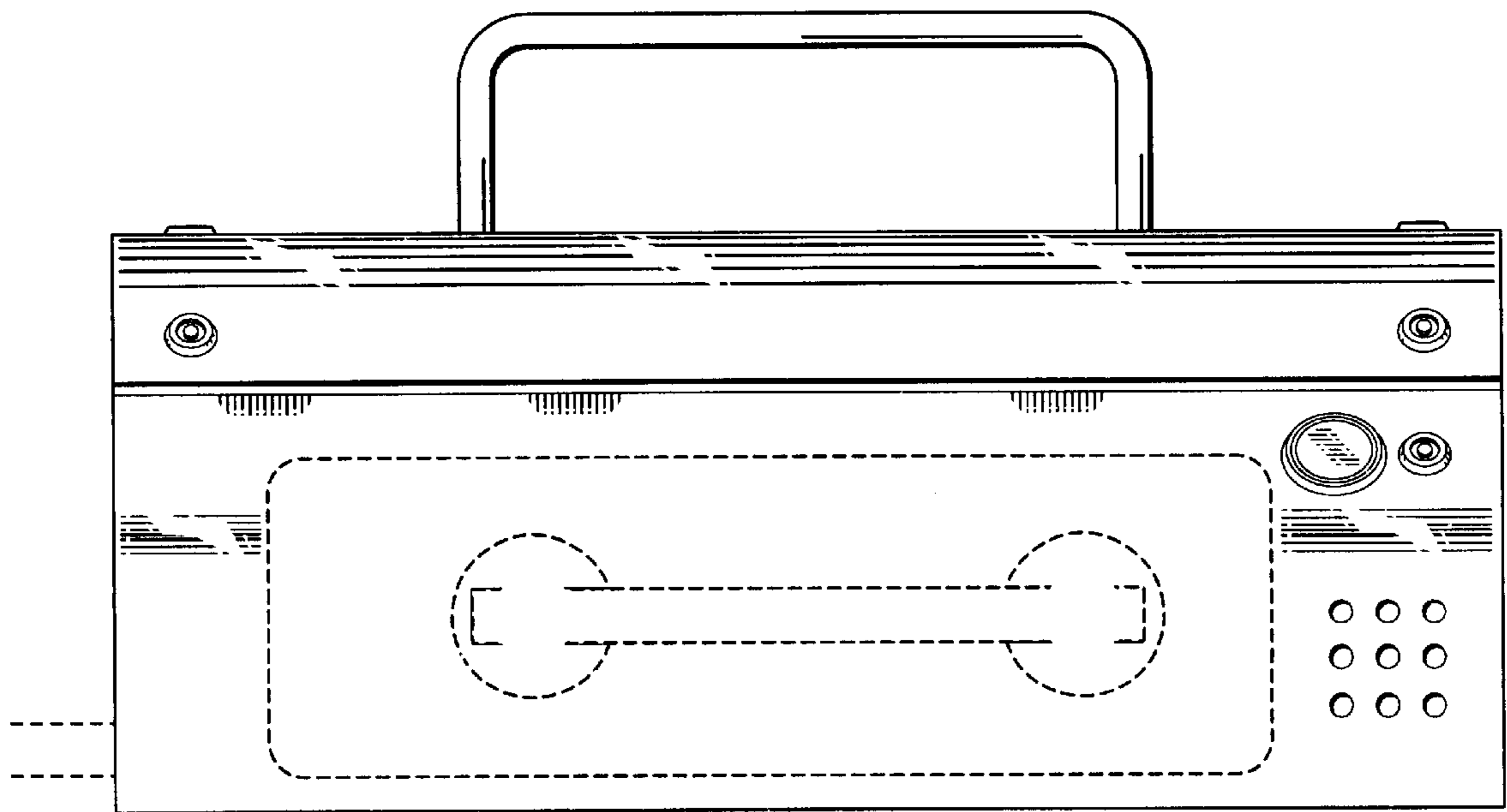
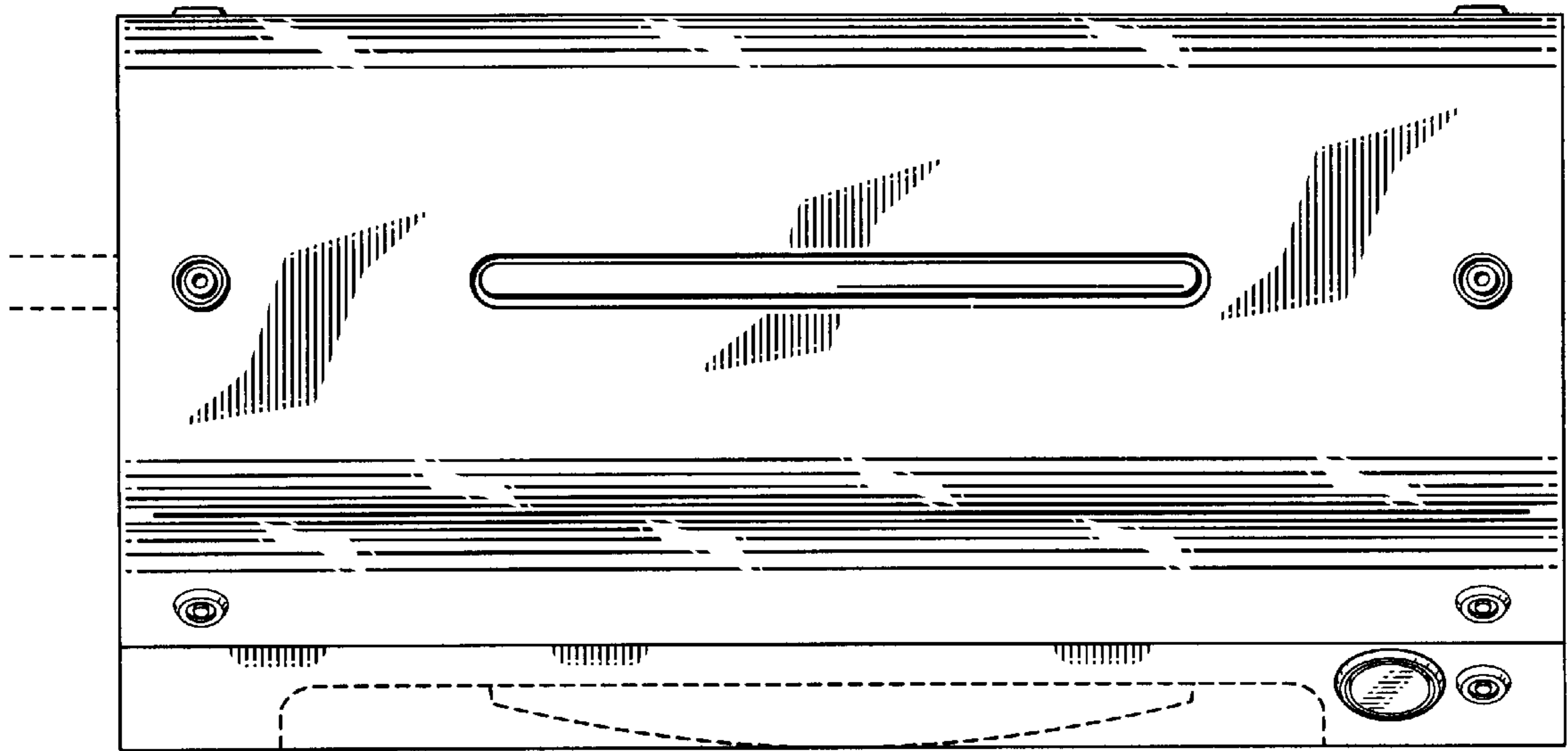


Fig. 1

Fig. 3

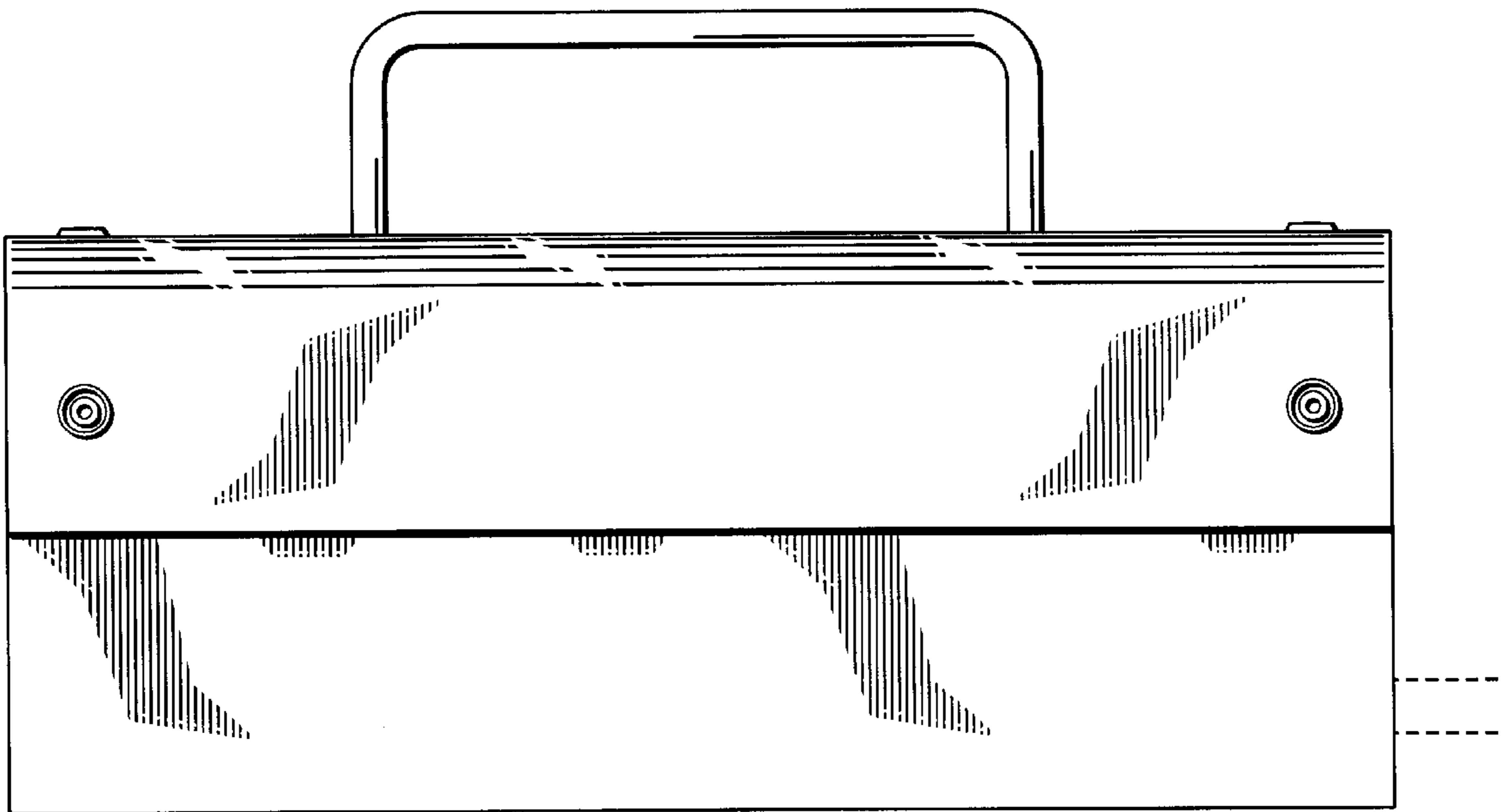
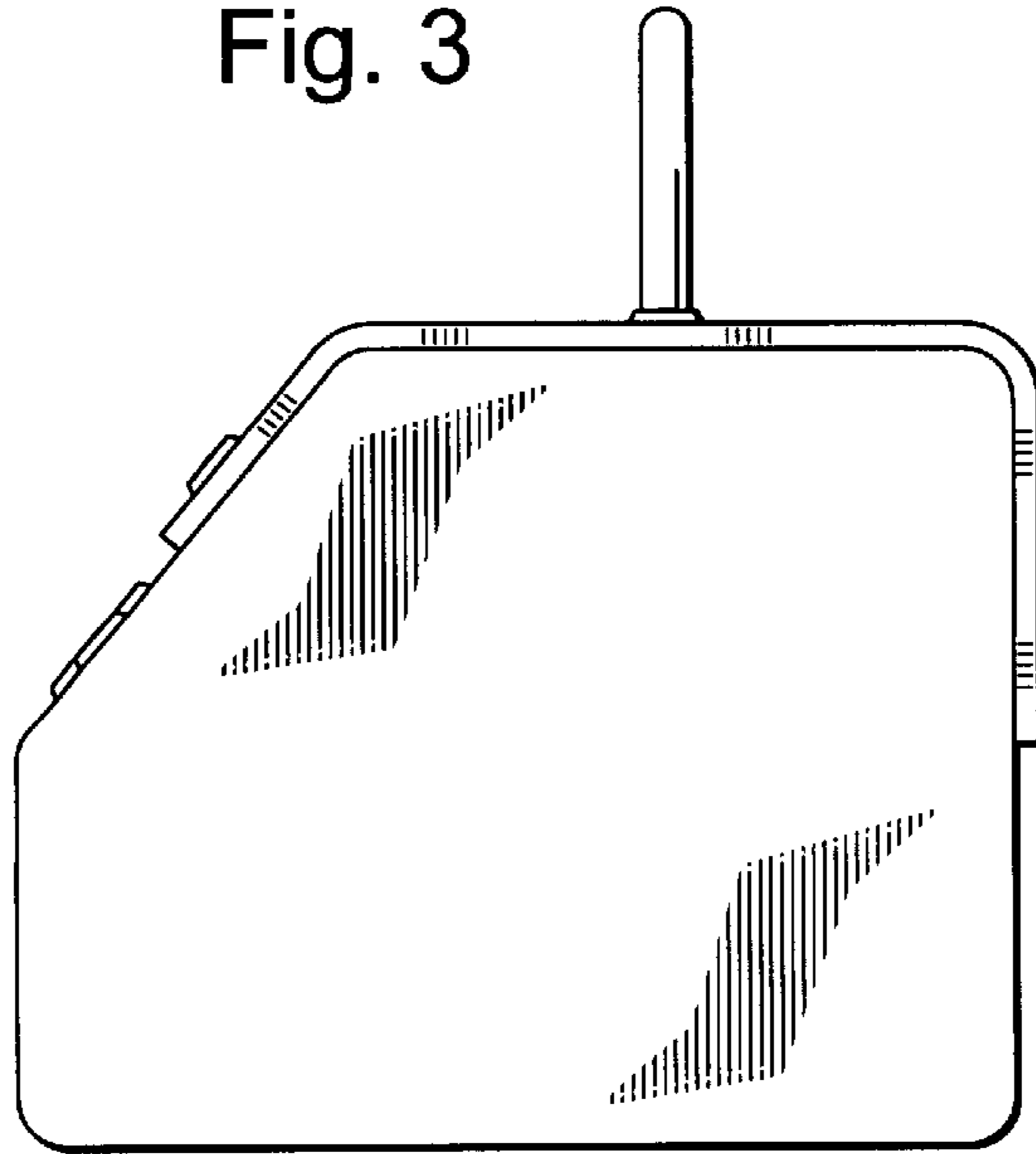


Fig. 4

Fig. 5

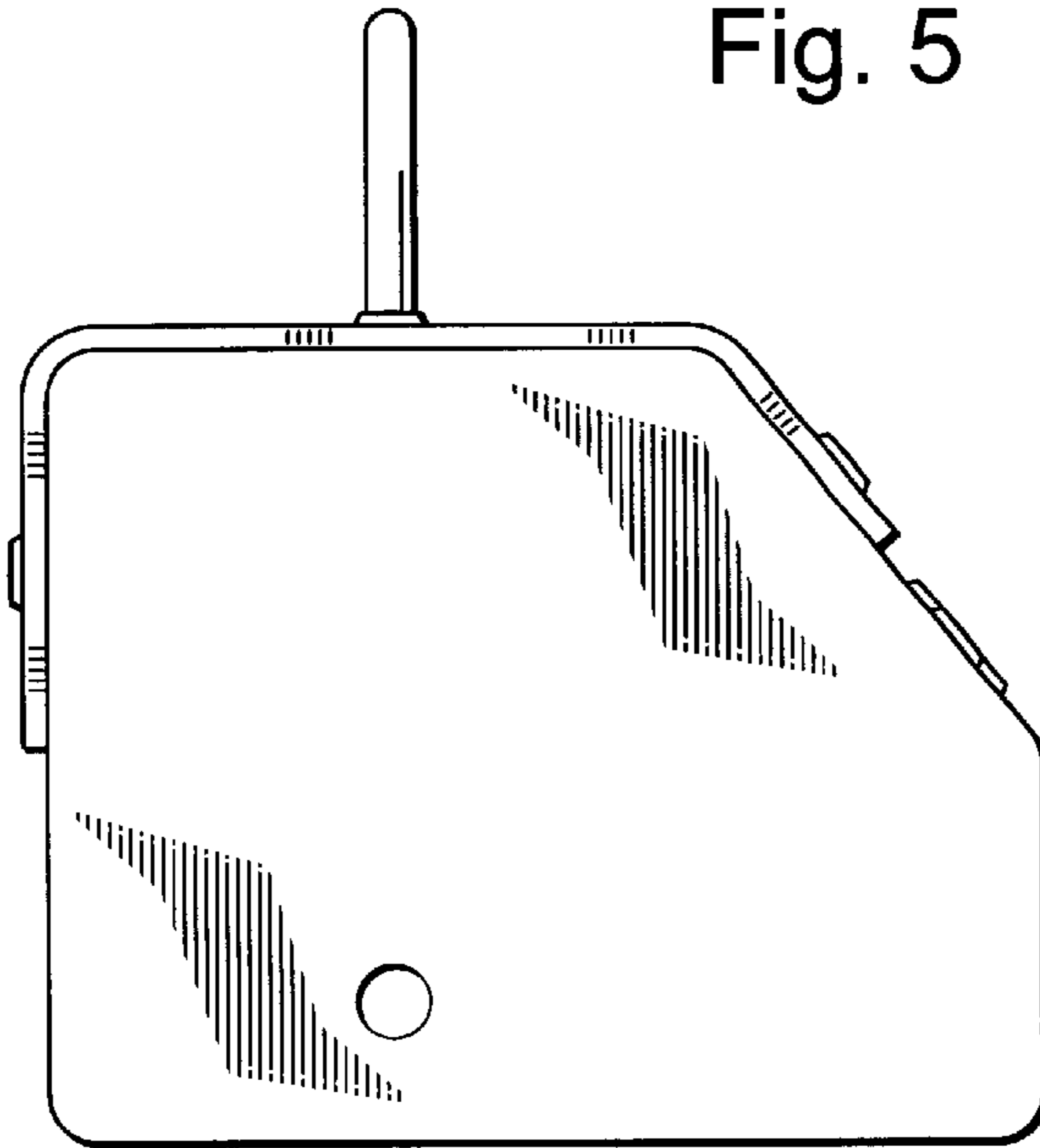


Fig. 6

