



US00D454339S

(12) **United States Design Patent**
Pickens

(10) **Patent No.:** **US D454,339 S**

(45) **Date of Patent:** **** Mar. 12, 2002**

(54) **VISIBLE STEP NEUTRAL BAR**

5,805,414 A * 9/1998 Feldhaeusser 361/637

(75) Inventor: **Jon Pickens**, Duluth, GA (US)

* cited by examiner

(73) Assignee: **Siemens Energy & Automation, Inc.**,
Alpharetta, GA (US)

Primary Examiner—Ted Shooman
Assistant Examiner—Selina Sikdier

(**) Term: **14 Years**

(57) **CLAIM**

(21) Appl. No.: **29/117,888**

The ornamental design for a visible step neutral bar, as shown and described.

(22) Filed: **Feb. 1, 2000**

DESCRIPTION

(51) **LOC (7) Cl.** **13-03**

(52) **U.S. Cl.** **D13/178**

(58) **Field of Search** D13/158, 160,
D13/161, 178; 174/149 B; 361/627, 637,
641, 648; 439/814

FIG. 1 is a perspective view of the visible step neutral bar of the present invention;
FIG. 2 an end view;
FIG. 3 is a side view;
FIG. 4 is a top view; and,
FIG. 5 is a bottom view.

(56) **References Cited**

U.S. PATENT DOCUMENTS

4,962,443 A * 10/1990 Cole 361/658
5,341,273 A * 8/1994 Sharp et al. 361/641
5,784,250 A 7/1998 Rose 361/627

The visible step neutral bar is shown broken away in FIG. 1, 3, 4, and 5 of the drawing to indicate indeterminant length, it being understood that it has a uniform shape and appearance through out its length.

1 Claim, 2 Drawing Sheets

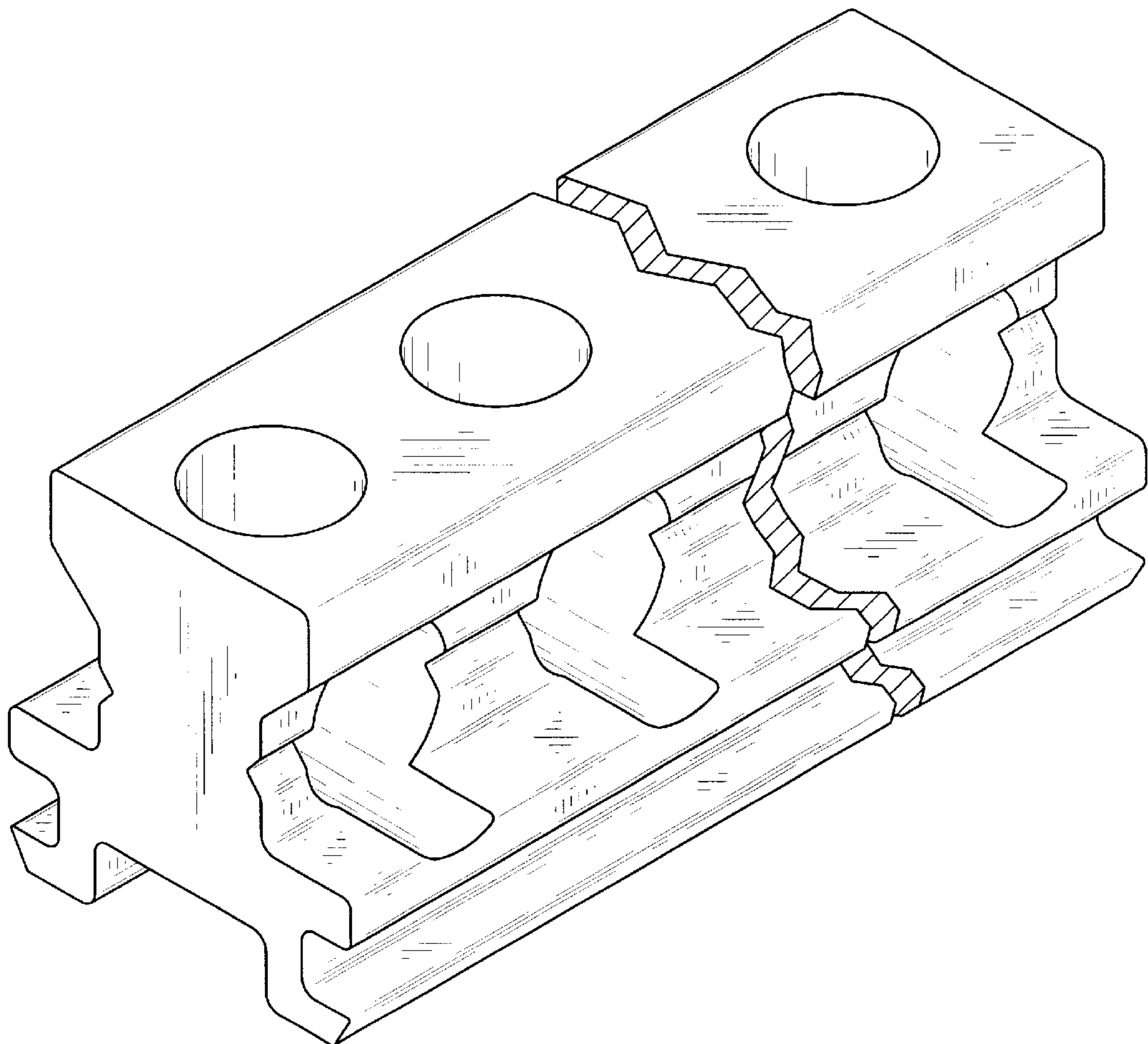


FIG. 1

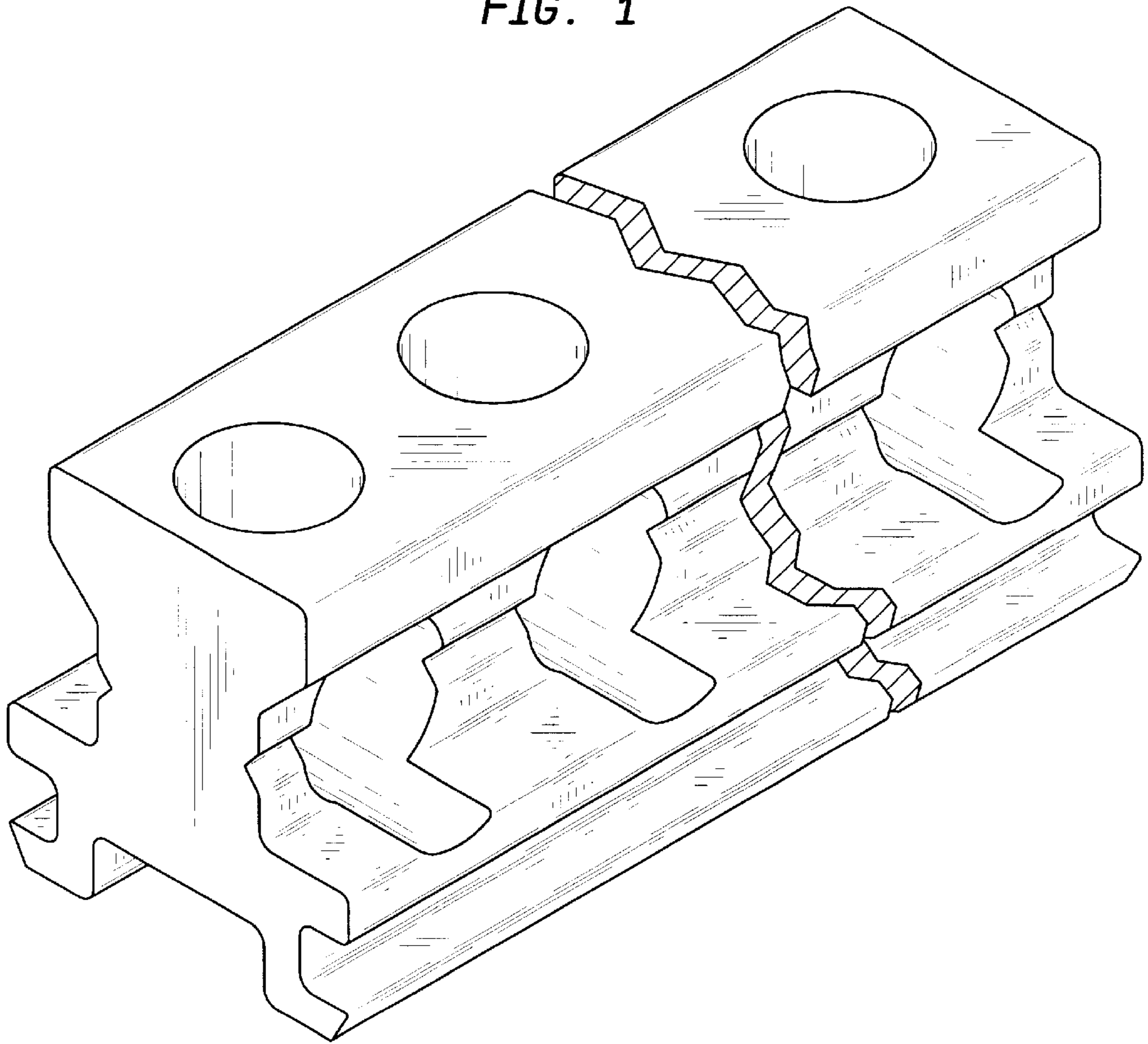


FIG. 2

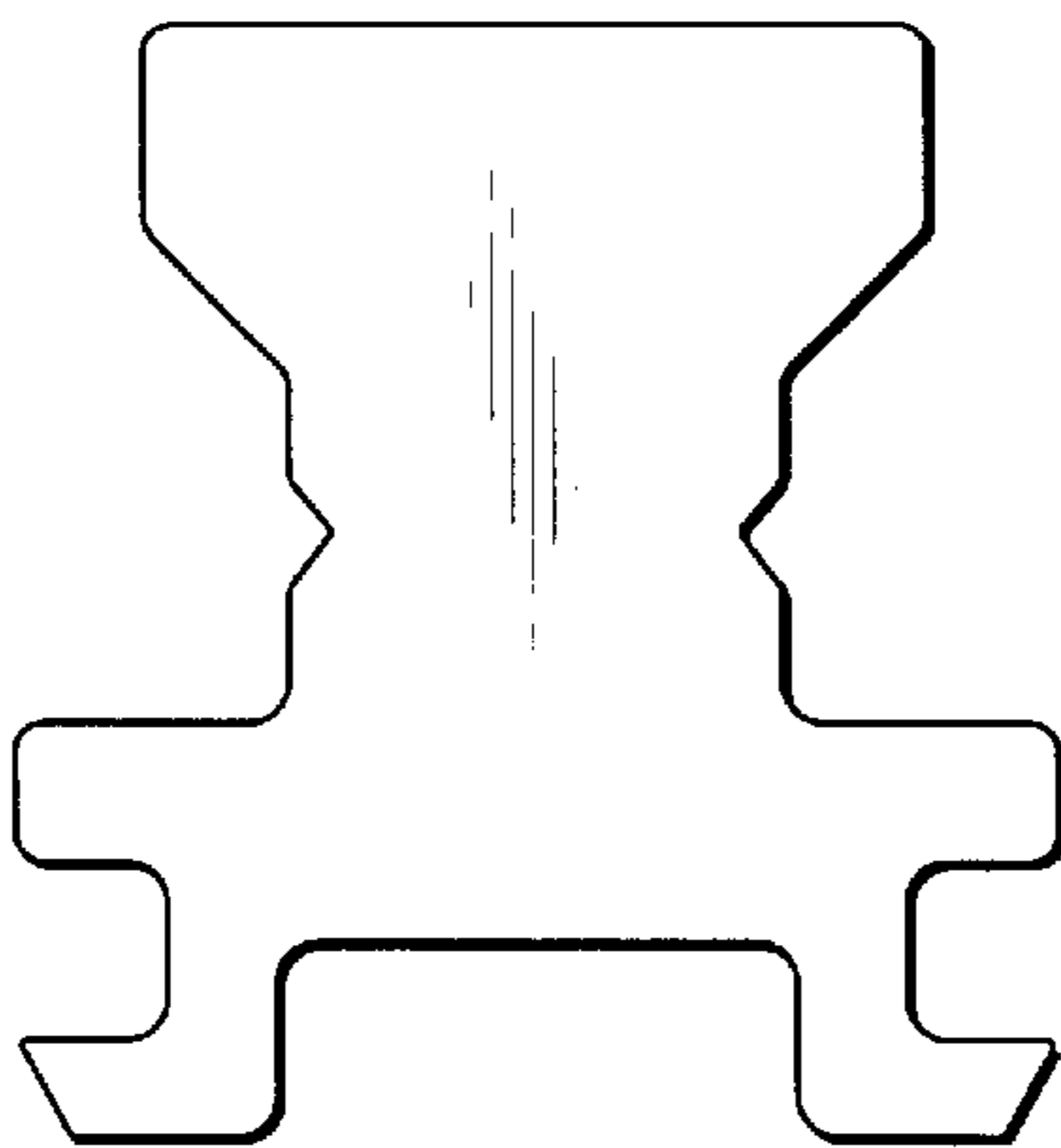


FIG. 3

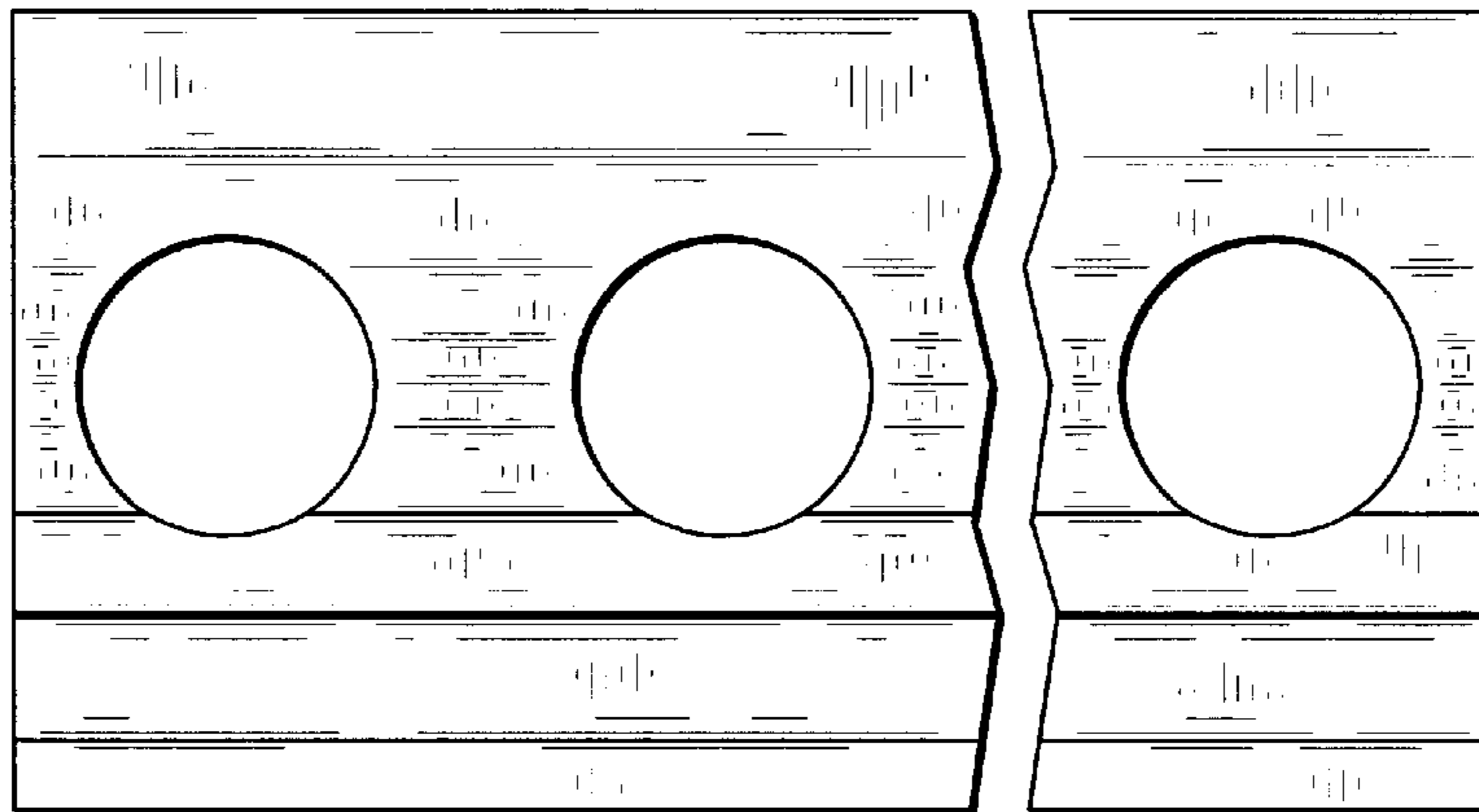


FIG. 4

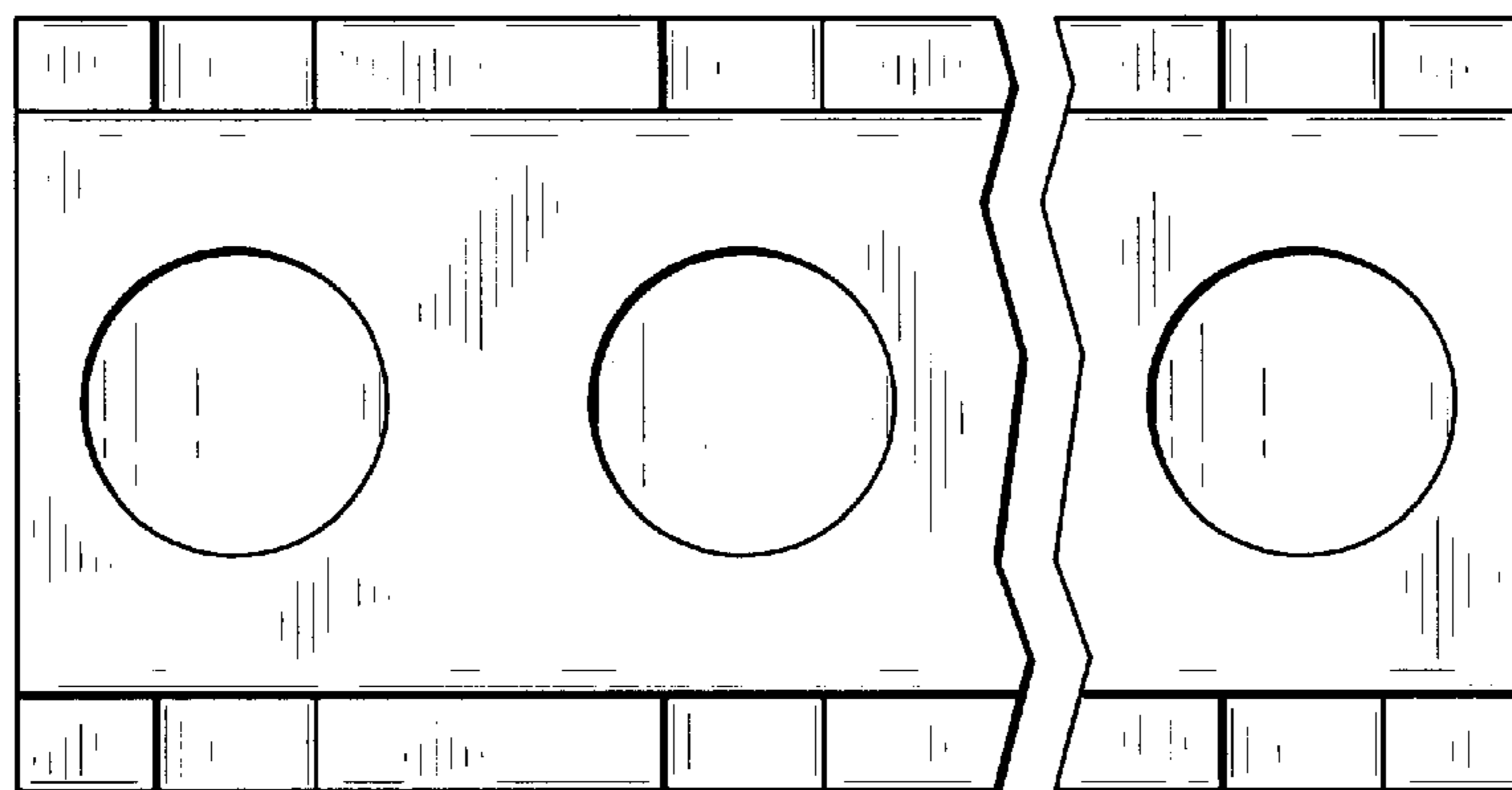


FIG. 5

