



US00D454337S

(12) **United States Design Patent**
Robinson

(10) **Patent No.:** **US D454,337 S**

(45) **Date of Patent:** **** Mar. 12, 2002**

(54) **PHOTO-RESPONSIVE LAMP SWITCHING APPARATUS**

D400,864 S * 11/1998 La Police D13/165
D401,563 S * 11/1998 La Police D13/165

(75) Inventor: **Michael John Robinson**, Scituate, MA (US)

* cited by examiner

(73) Assignee: **Pacific Scientific Company**, Weymouth, MA (US)

Primary Examiner—Ted Shooman

Assistant Examiner—Selina Sikder

(74) *Attorney, Agent, or Firm*—Lahive & Cockfield, LLP

(**) Term: **14 Years**

(57) **CLAIM**

(21) Appl. No.: **29/120,490**

The ornamental design for a photo-responsive lamp switching apparatus, as shown and described.

(22) Filed: **Mar. 20, 2000**

DESCRIPTION

(51) **LOC (7) Cl.** **13-03**

(52) **U.S. Cl.** **D13/165**

(58) **Field of Search** D13/158, 165;
250/201.1, 206, 239, 221, 222.1

FIG. 1 is a perspective view of the photo-responsive lamp switching apparatus, and shaded to designate optically transmissive structure;

FIG. 2 is a top plan view;

FIG. 3 is a side elevation view from an orientation that shows two tapered upper walls; the opposite view is the same;

FIG. 4 is a bottom plan view; and,

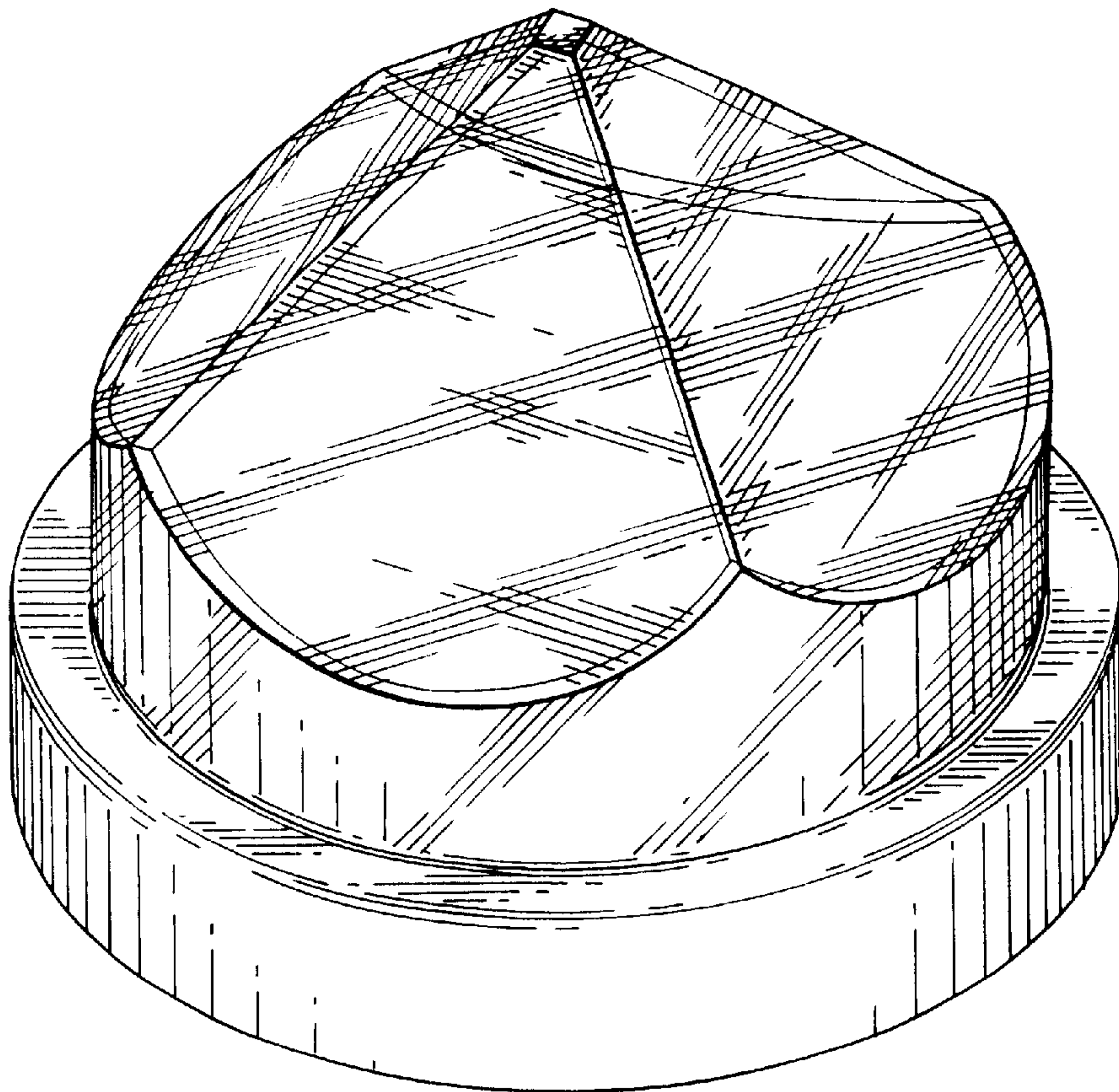
FIG. 5 is a side elevation view from an orientation showing only a single tapered panel, and the opposite view is identical.

(56) **References Cited**

U.S. PATENT DOCUMENTS

D83,260 S	*	2/1931	Lewis	D13/165
D190,175 S	*	4/1961	Garnick	D13/165
D339,107 S	*	9/1993	Van Genechten	D13/168
D361,057 S	*	8/1995	Fayfield	D13/165
D369,348 S	*	4/1996	Hu	D13/165

1 Claim, 3 Drawing Sheets



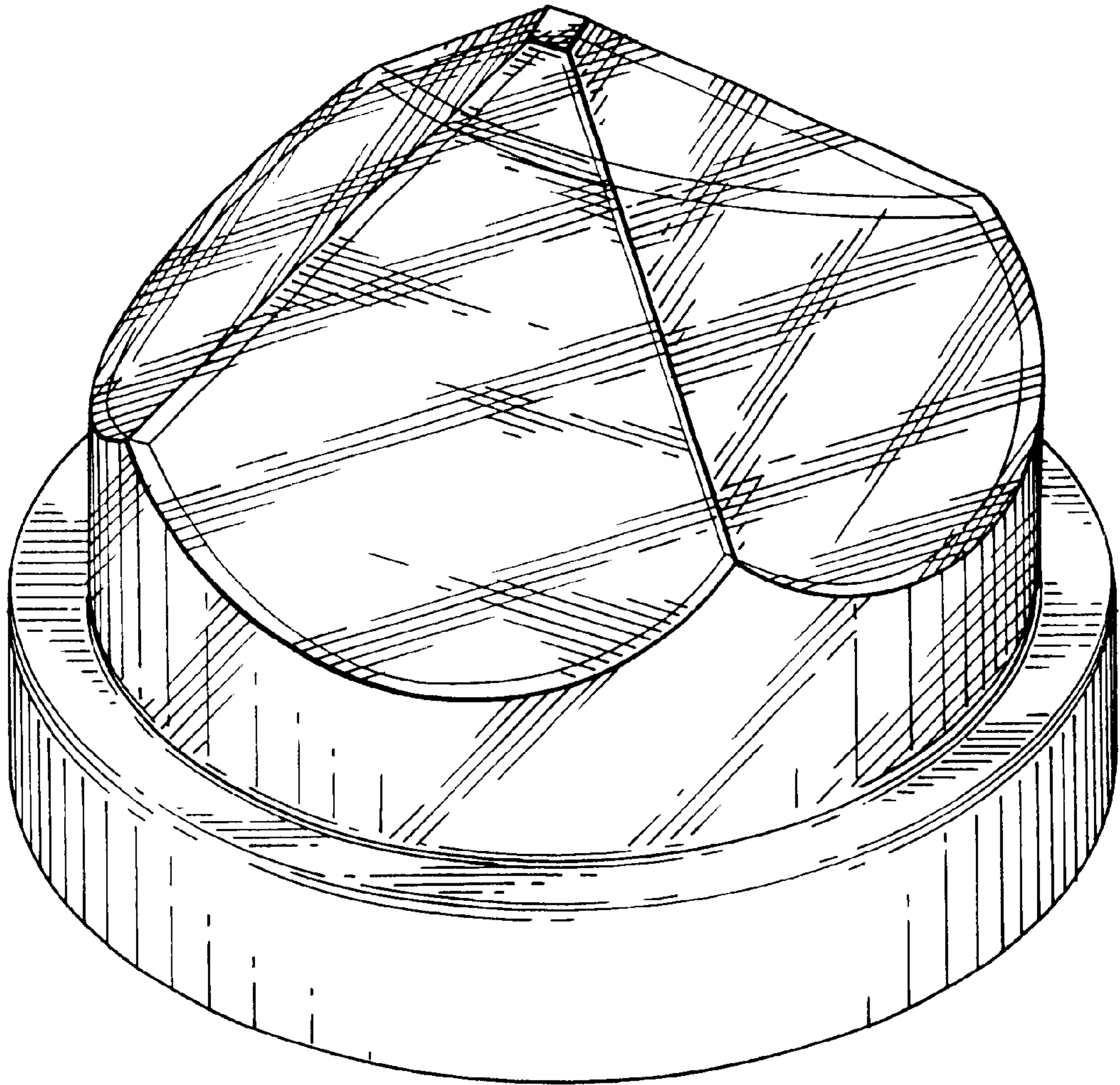


FIG. 1

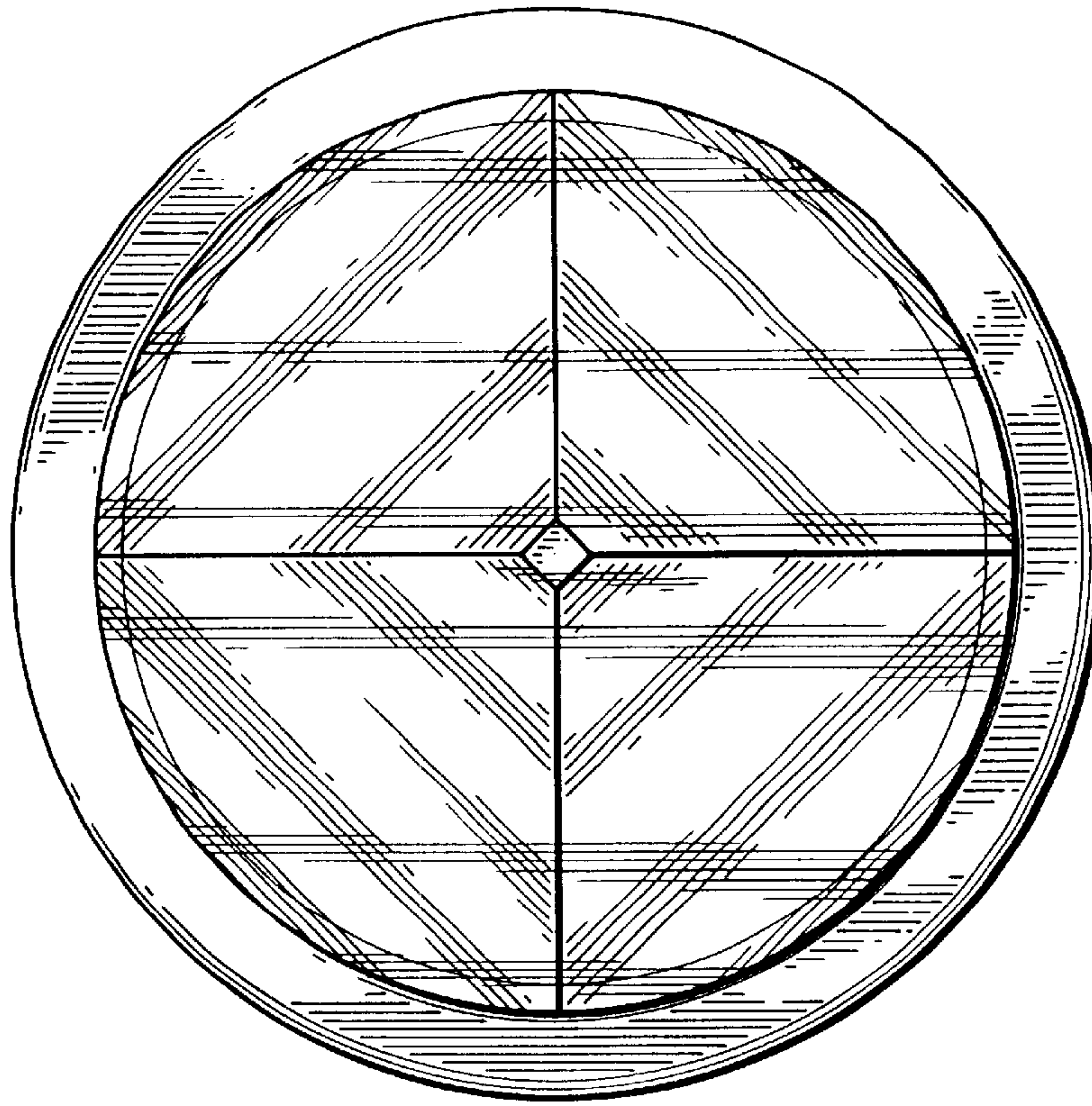


FIG. 2

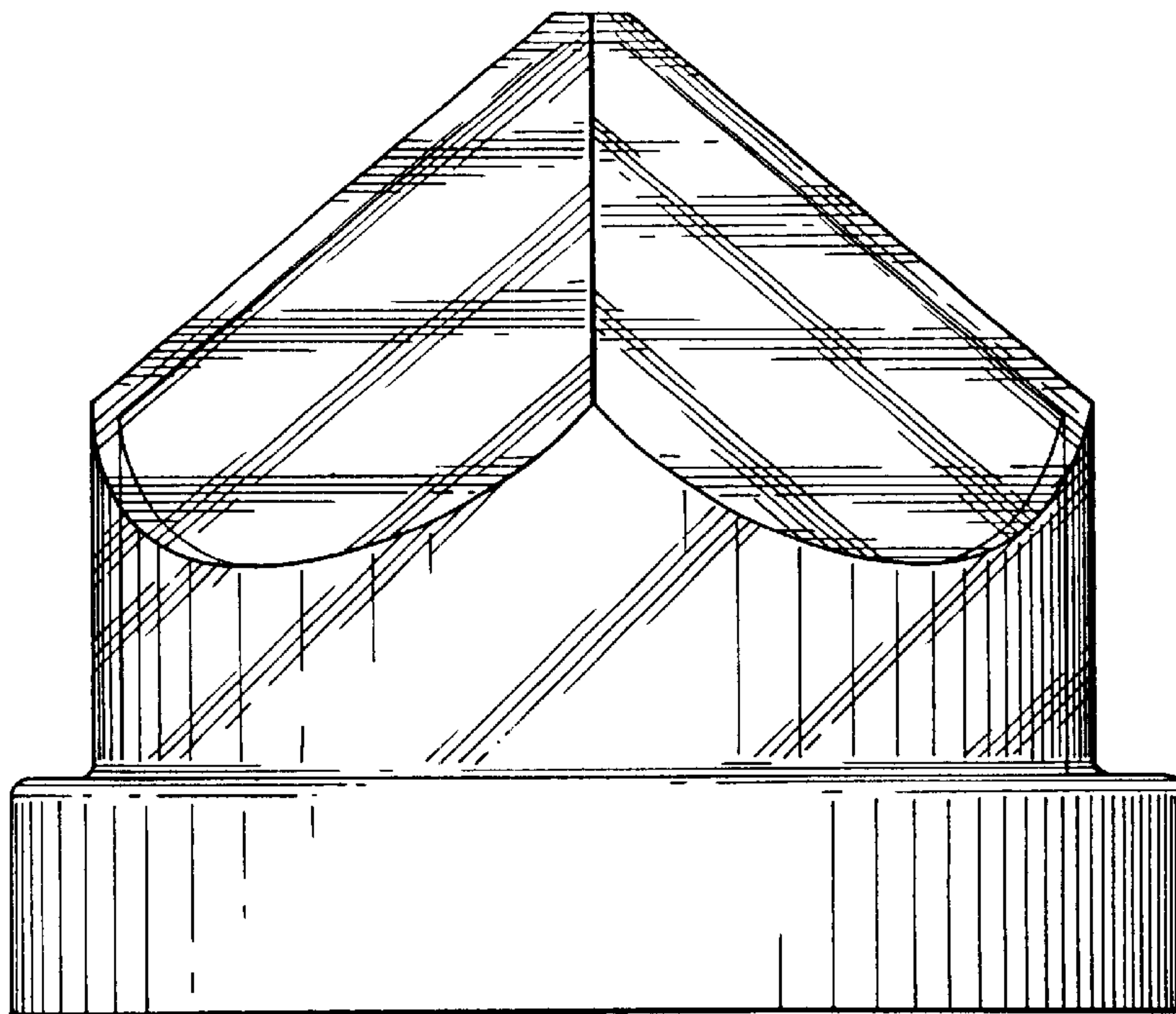


FIG. 3

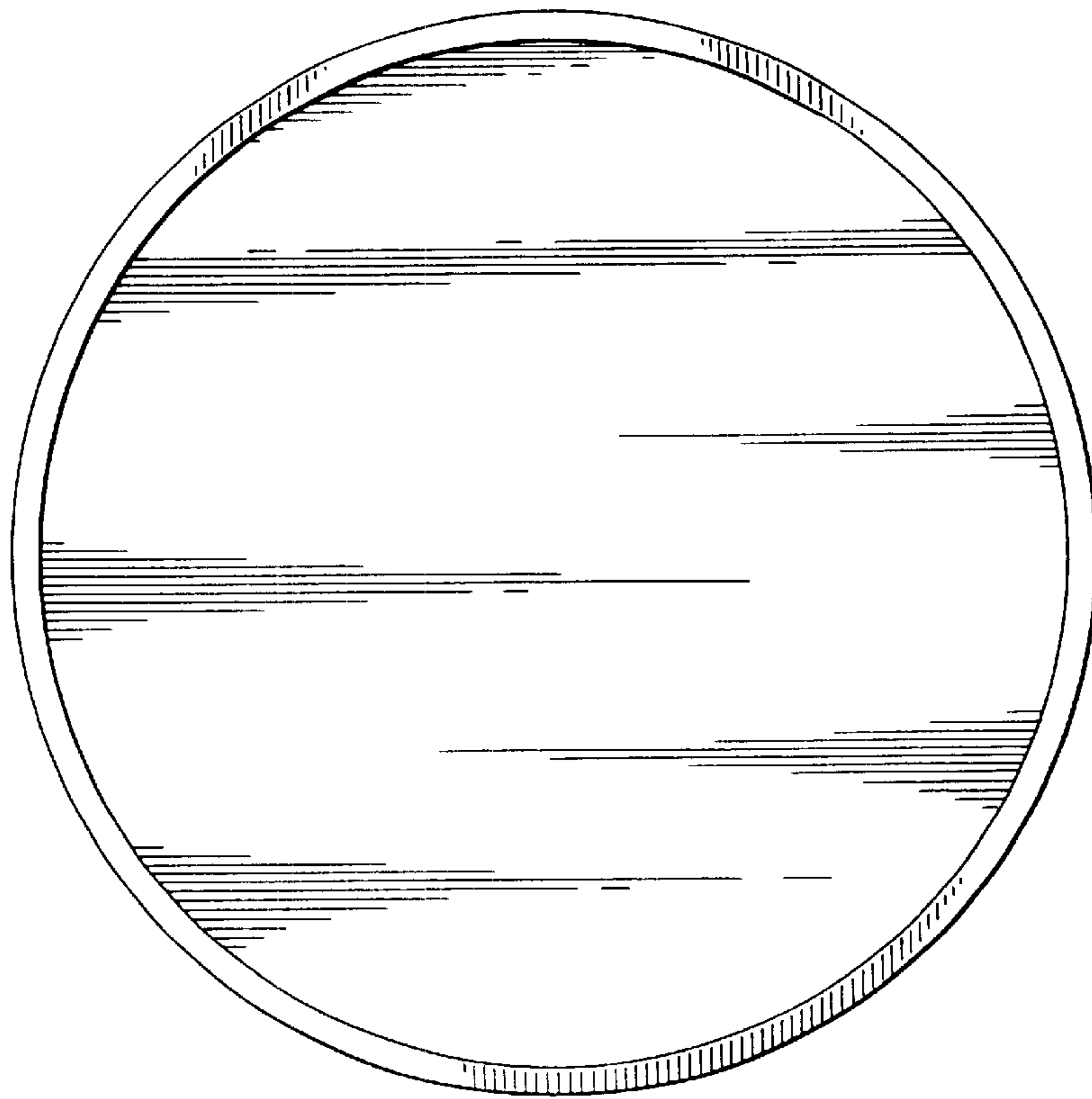


FIG. 4

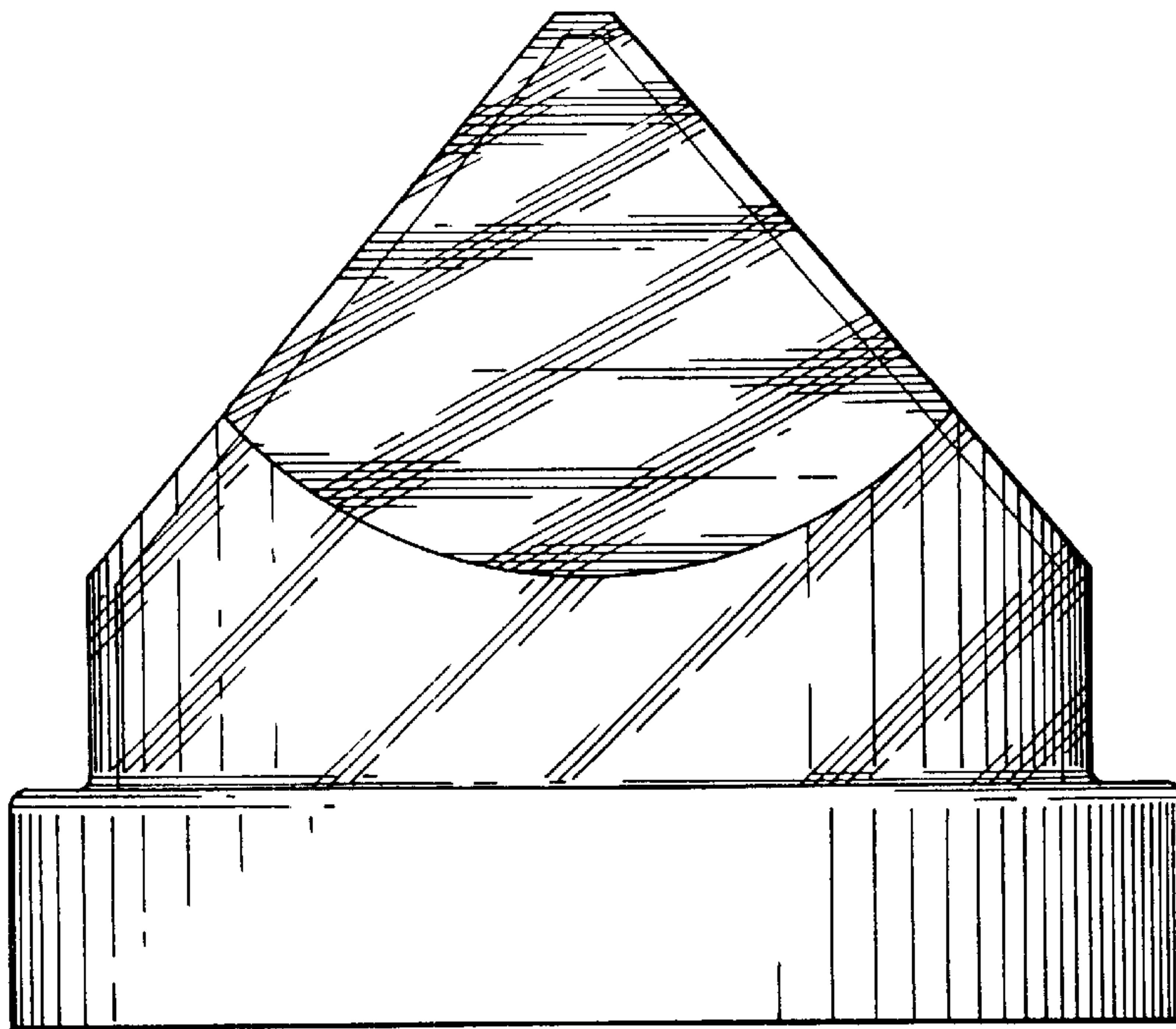


FIG. 5