



US00D454336S

(12) **United States Design Patent**  
**Manchester et al.**

(10) **Patent No.:** **US D454,336 S**  
(45) **Date of Patent:** **\*\* Mar. 12, 2002**

(54) **RECEPTACLE CONNECTOR**

(75) Inventors: **Gary S. Manchester**, Naperville;  
**Richard A. Nelson**, Geneva; **Daniel B. McGowen**, Naperville, all of IL (US)

(73) Assignee: **Molex Incorporated**, Lisle, IL (US)

(\*\*) Term: **14 Years**

(21) Appl. No.: **29/134,624**

(22) Filed: **Dec. 22, 2000**

(51) **LOC (7) Cl.** ..... **13-03**

(52) **U.S. Cl.** ..... **D13/147**

(58) **Field of Search** ..... D13/146, 147;  
439/108, 607, 608, 677-681, 638, 639,  
752

(56) **References Cited**

**U.S. PATENT DOCUMENTS**

5,102,353	A *	4/1992	Brunker et al.	439/608
5,125,854	A *	6/1992	Bassler et al.	439/607
5,304,069	A *	4/1994	Brunker et al.	439/108
5,387,114	A *	2/1995	Brunker et al.	439/108
5,580,283	A *	12/1996	O'Sullivan et al.	439/686
6,193,555	B1 *	2/2001	Chang	439/608
6,200,168	B1 *	3/2001	Ko	439/677

\* cited by examiner

*Primary Examiner*—Joel Sincavage

(74) *Attorney, Agent, or Firm*—Thomas D. Paulius; Charles S. Cohen

(57) **CLAIM**

The ornamental Design for a receptacle connector, as shown and described.

**DESCRIPTION**

FIG. 1 is a perspective view of a receptacle connector showing our new design;

FIG. 2 is a top plan view thereof;

FIG. 3 is a bottom plan view thereof;

FIG. 4 is a side elevational view of the right side thereof;

FIG. 5 is a side elevational view of the right side thereof;

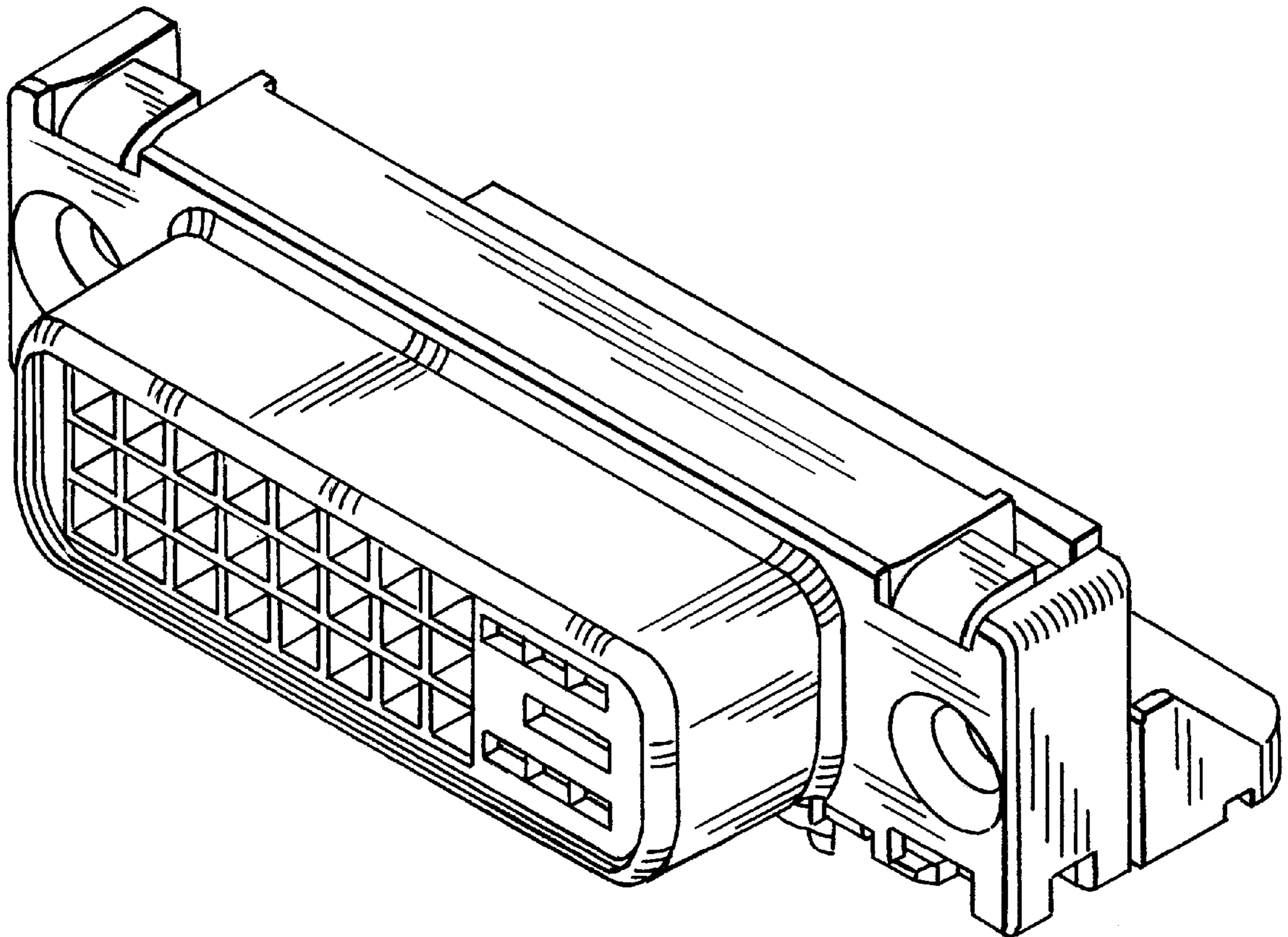
FIG. 6 is a front elevational view thereof;

FIG. 7 is a rear elevational view thereof;

FIG. 8 is a perspective view of an alternate embodiment of our new connector design, with all other aspects of the connector being the same as for the first embodiment, except for the front elevational view; and,

FIG. 9 is a front elevational view of the connector of FIG. 8.

**1 Claim, 5 Drawing Sheets**



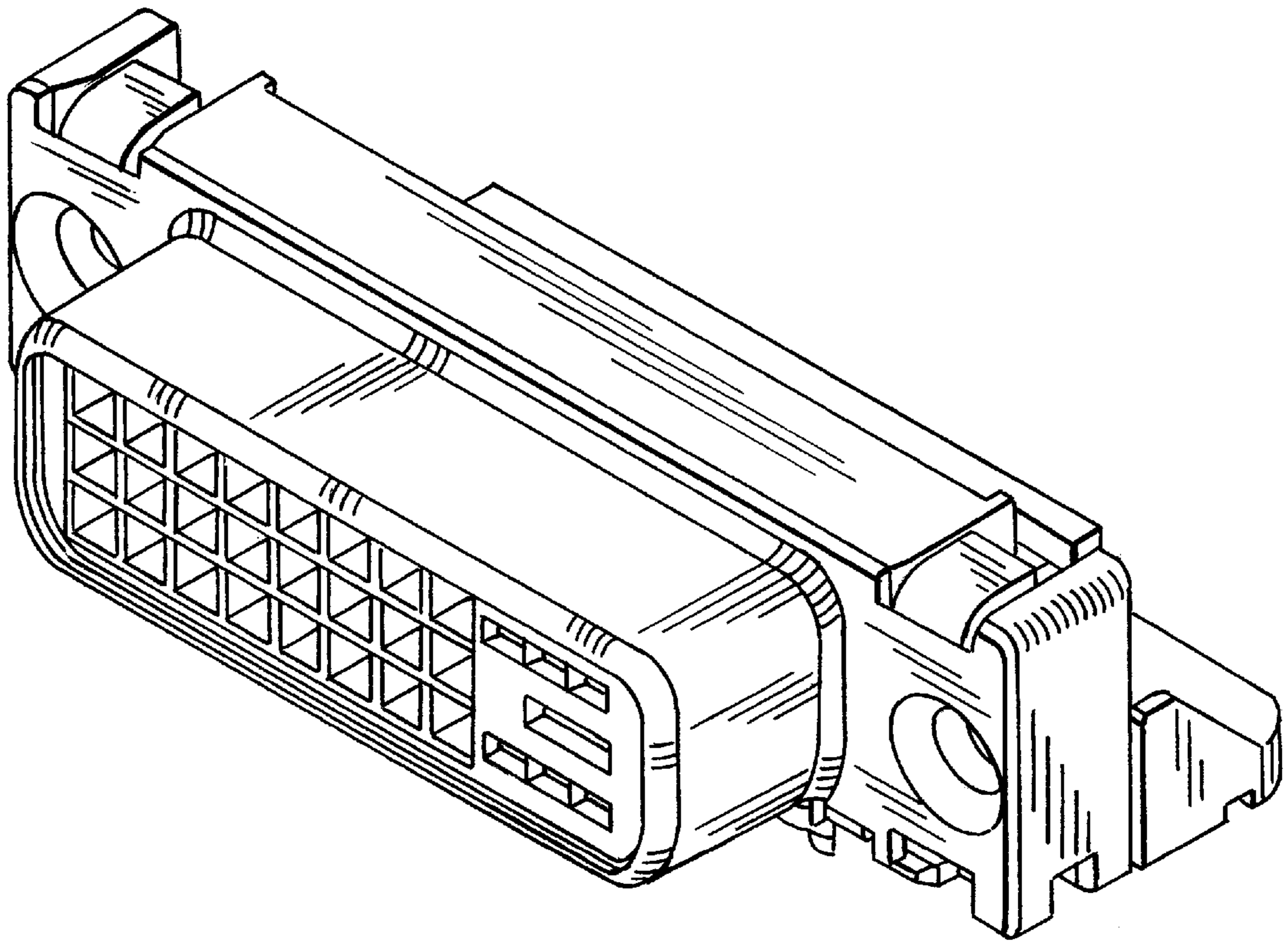


FIG. 1

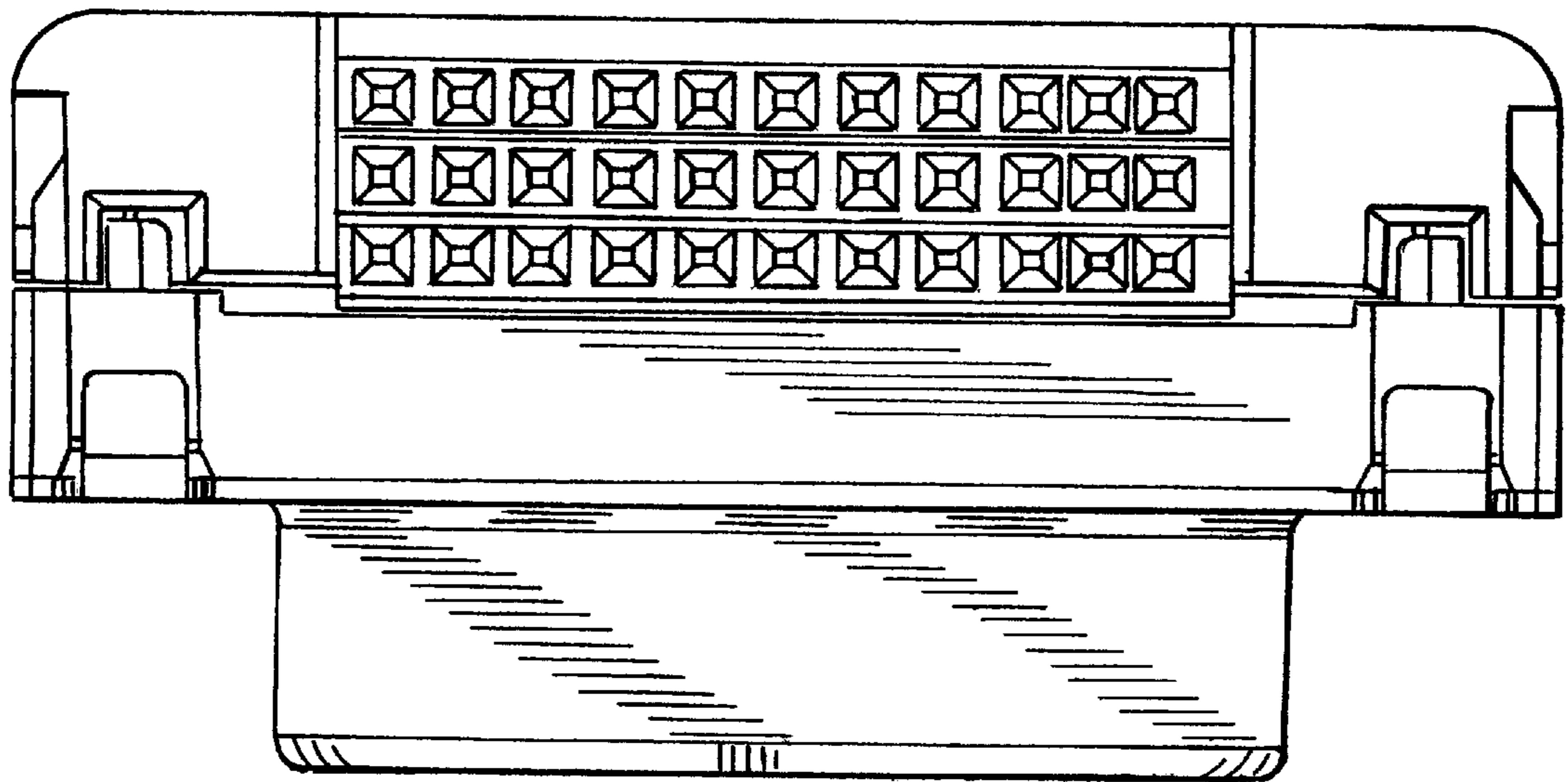


FIG. 2

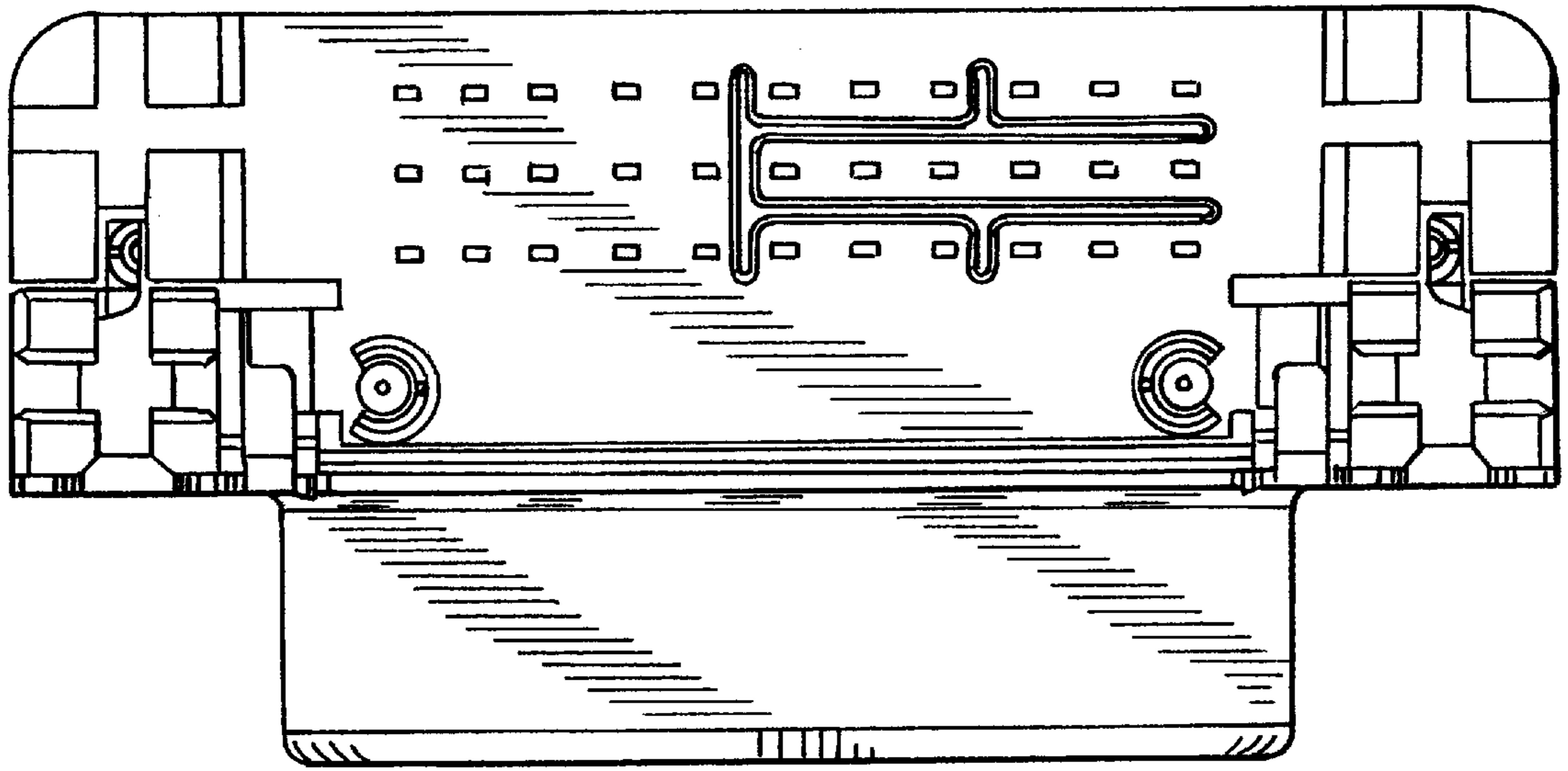


FIG.3

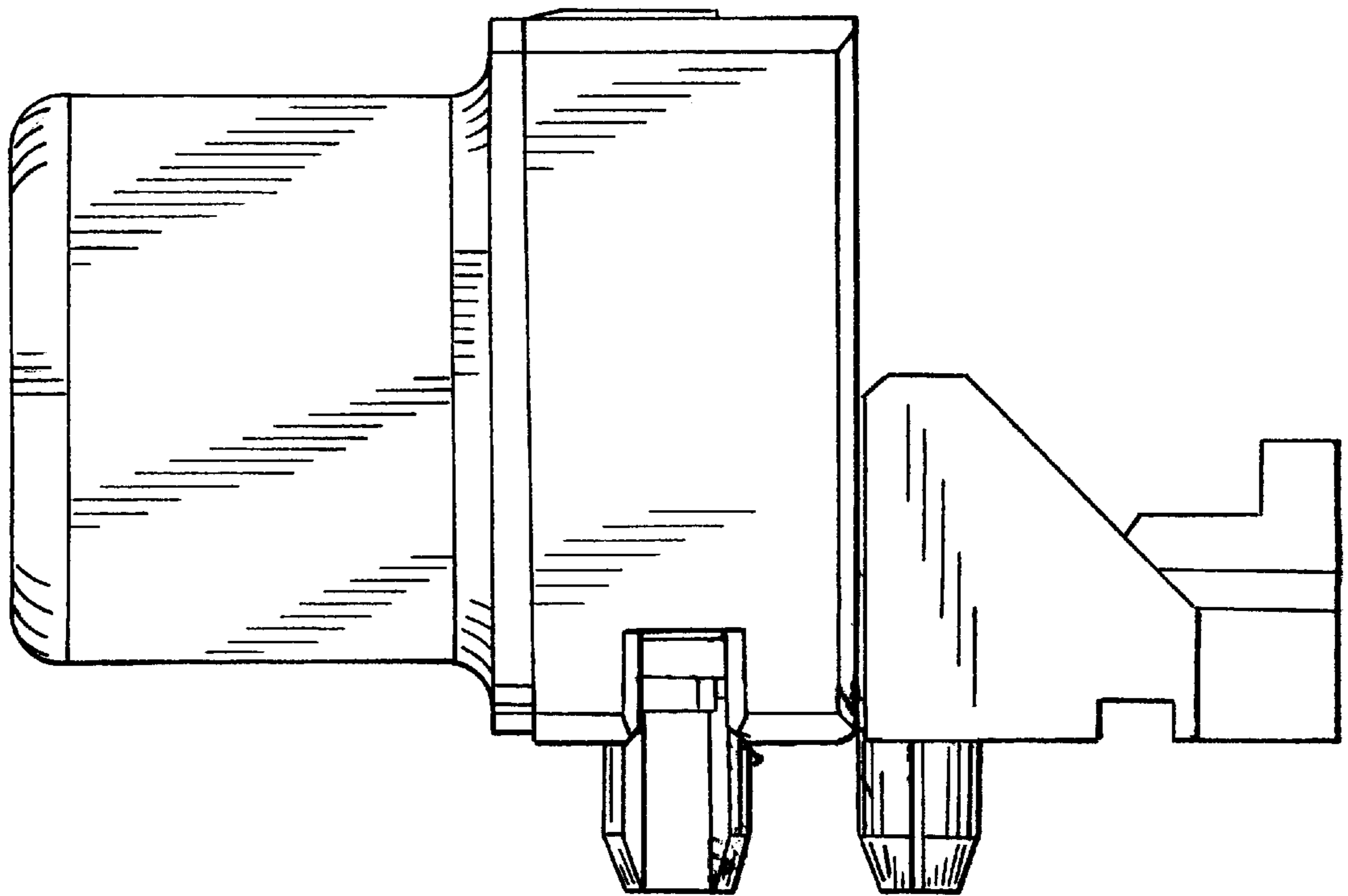


FIG.4



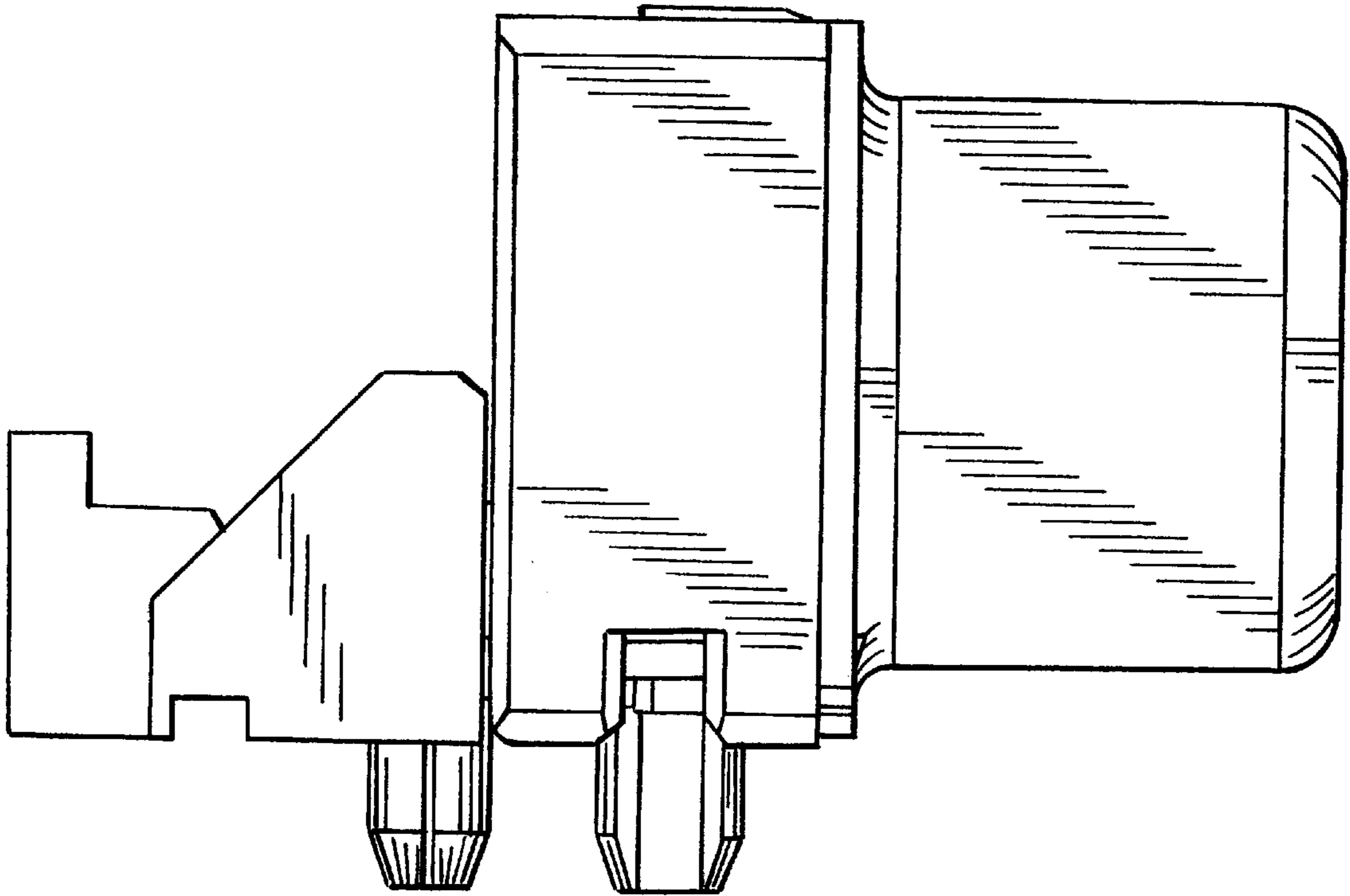


FIG. 5

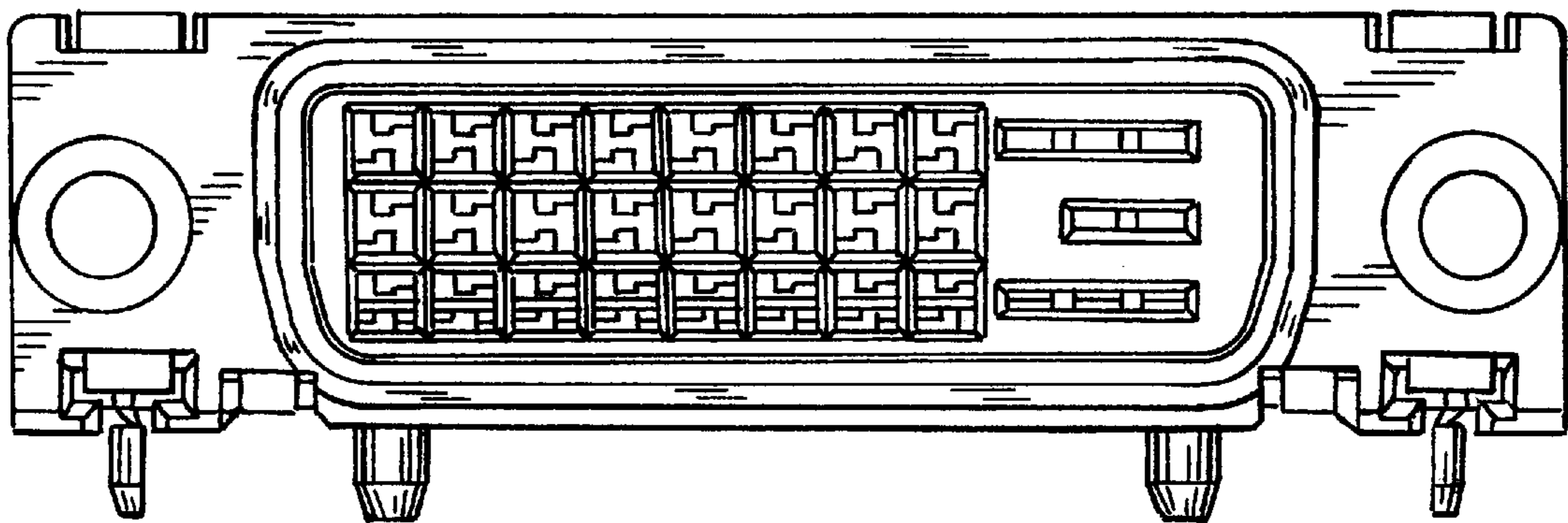


FIG. 6

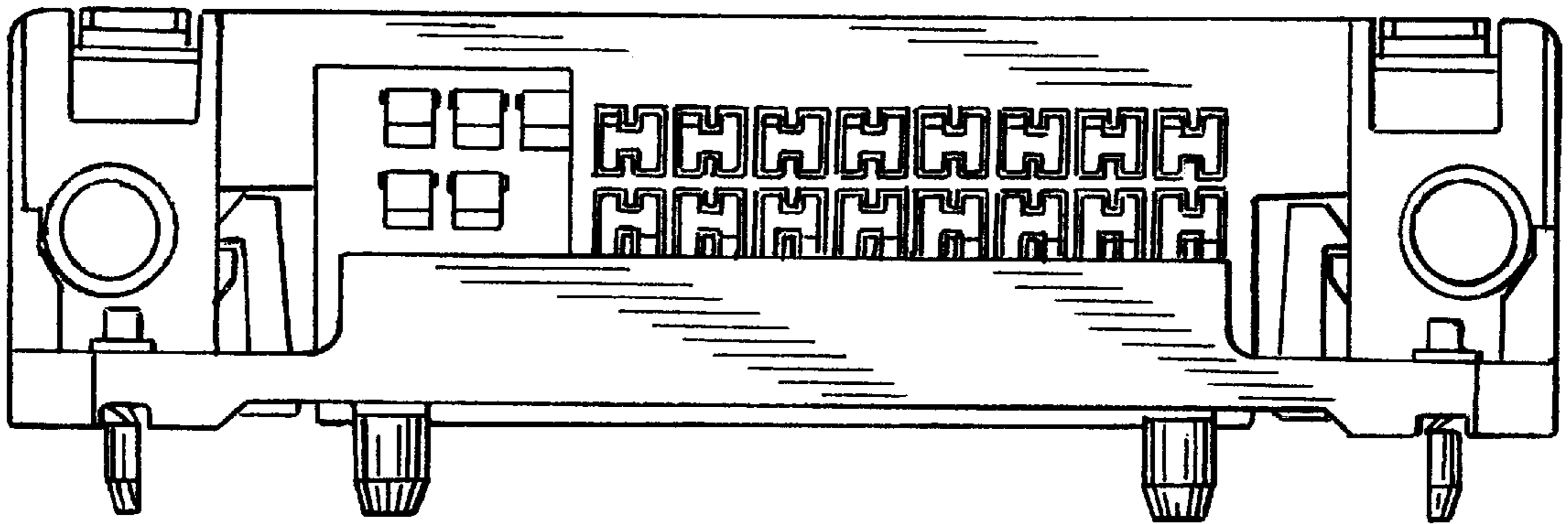


FIG. 7

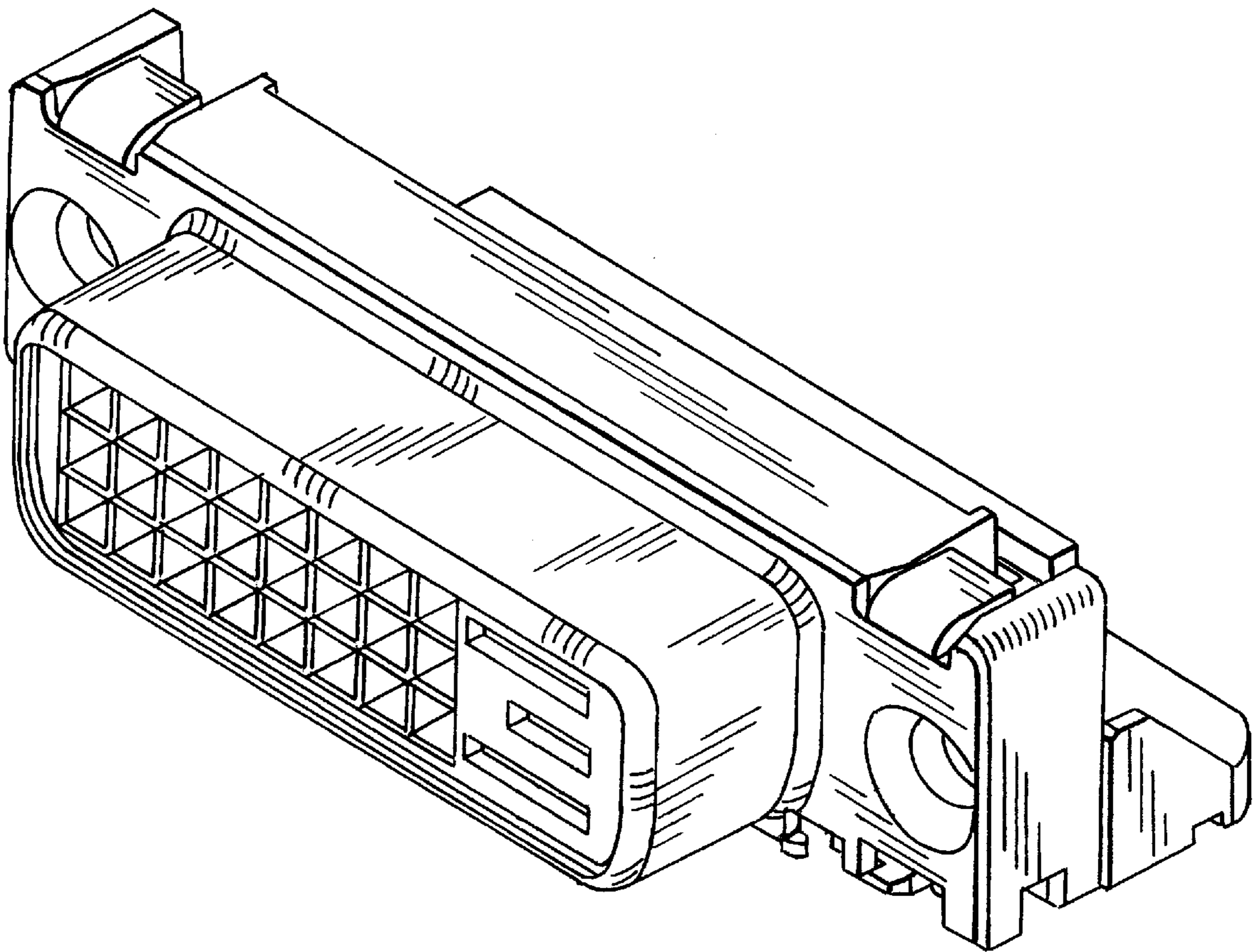


FIG. 8

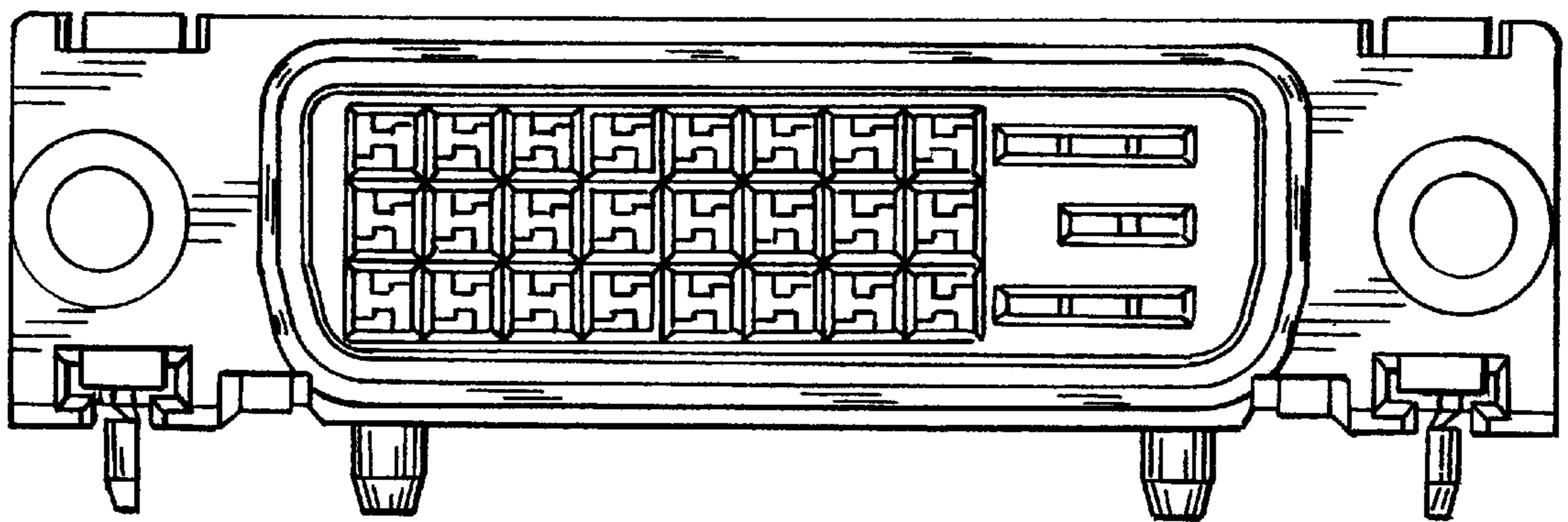


FIG.9