



US00D454334S

(12) **United States Design Patent**
Okada

(10) **Patent No.:** **US D454,334 S**

(45) **Date of Patent:** **** Mar. 12, 2002**

(54) **ELECTRICAL CONNECTOR HOUSING**

(75) Inventor: **Masao Okada**, Tokyo (JP)

(73) Assignee: **Hirose Electric Co., Ltd.**, Tokyo (JP)

(**) Term: **14 Years**

(21) Appl. No.: **29/141,705**

(22) Filed: **May 11, 2001**

(30) **Foreign Application Priority Data**

Nov. 24, 2000 (JP) 2000-033520

(51) **LOC (7) Cl.** **13-03**

(52) **U.S. Cl.** **D13/133**

(58) **Field of Search** D13/133; 439/345,
439/346, 350, 352, 354, 357

(56) **References Cited**

U.S. PATENT DOCUMENTS

| | | | | | |
|-------------|---|--------|-----------------|-------|---------|
| D323,141 S | * | 1/1992 | Sueyoshi et al. | | D13/133 |
| D323,316 S | * | 1/1992 | Ohkura et al. | | D13/133 |
| D324,026 S | * | 2/1992 | Ichida et al. | | D13/133 |
| 5,785,546 A | * | 7/1998 | Hamai et al. | | 439/354 |

| | | | | | |
|-------------|---|---------|-----------------|-------|-----------|
| 5,820,399 A | * | 10/1998 | Shirouzu et al. | | 439/352 |
| 5,827,086 A | * | 10/1998 | Fukuda | | 439/357 |
| 5,876,230 A | * | 3/1999 | Nishide et al. | | 439/352 |
| 5,910,027 A | * | 6/1999 | Wayt et al. | | 439/352 X |
| 5,938,470 A | * | 8/1999 | Kashiyama | | 439/357 X |
| 6,017,154 A | * | 1/2000 | Carlisle et al. | | 385/86 |

* cited by examiner

Primary Examiner—Joel Sincavage

(74) *Attorney, Agent, or Firm*—Kanesaka & Takeuchi

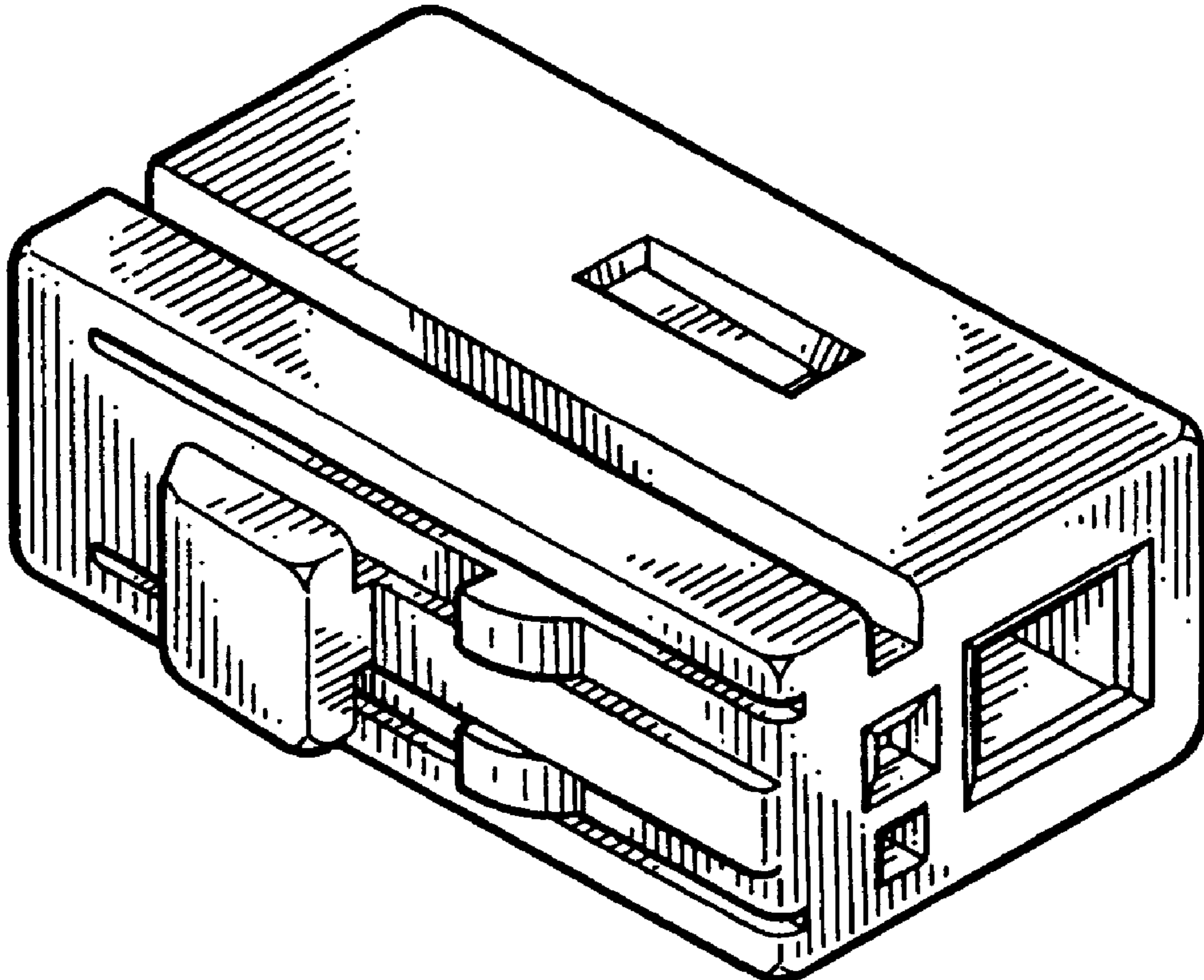
(57) **CLAIM**

The ornamental design for an electrical connector housing, as shown and described.

DESCRIPTION

FIG. 1 is a front elevational view of an electrical connector housing showing an embodiment of our new design; FIG. 2 is a right-hand side elevational view thereof; FIG. 3 is a left-hand side elevational view thereof; FIG. 4 is a rear elevational view thereof; FIG. 5 is a top plan view thereof; FIG. 6 is a bottom plan view thereof; and, FIG. 7 is an upper perspective view thereof.

1 Claim, 3 Drawing Sheets



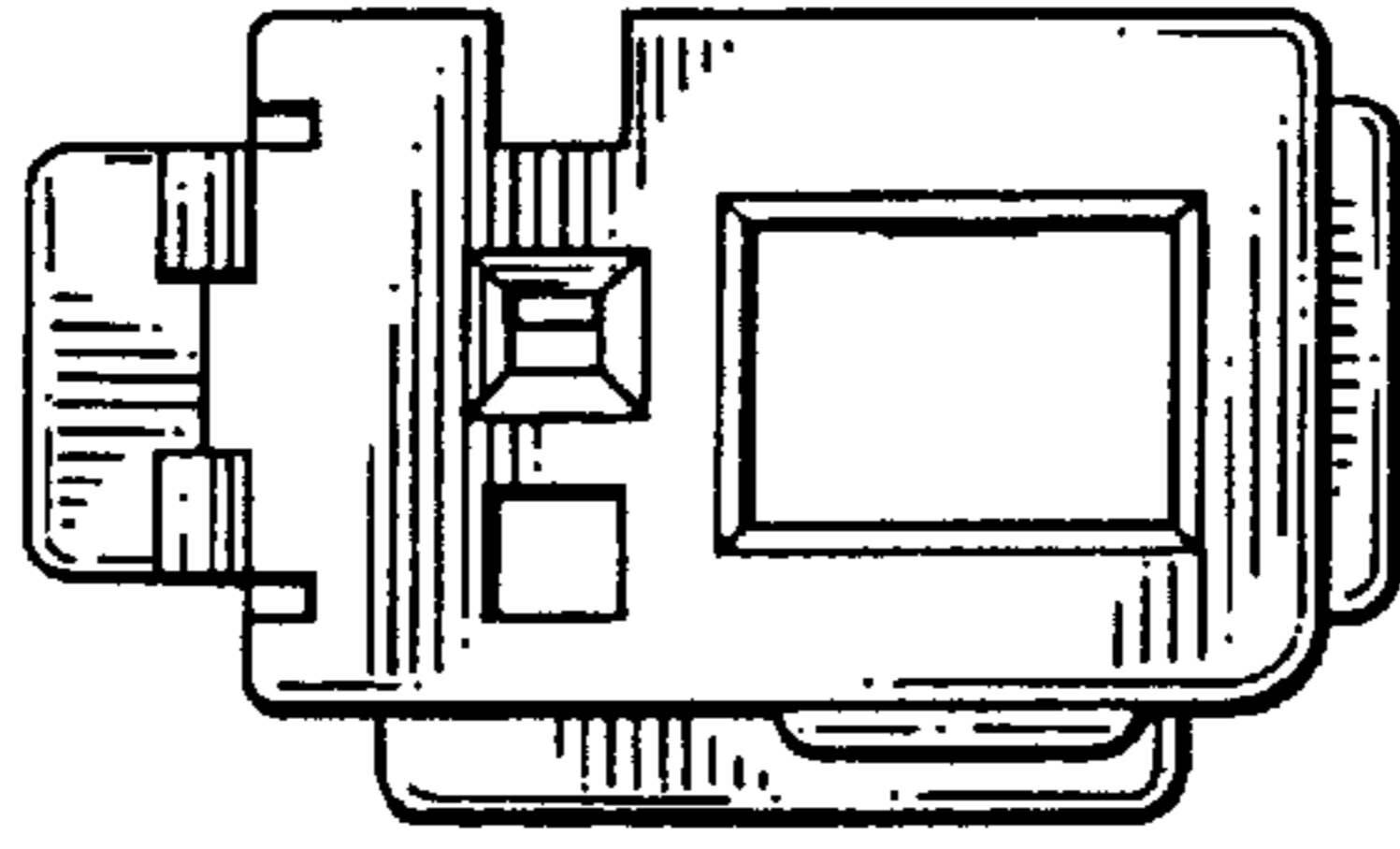


FIG. 1

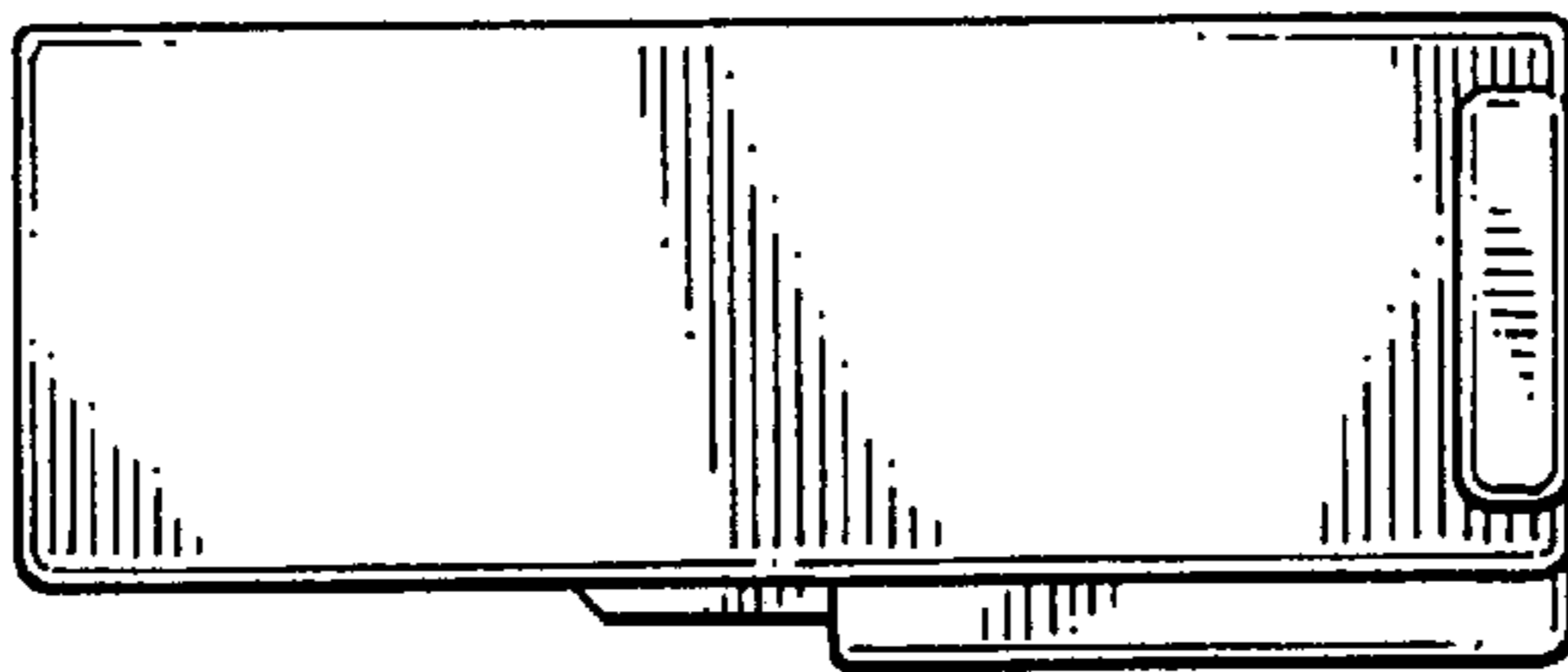


FIG. 2

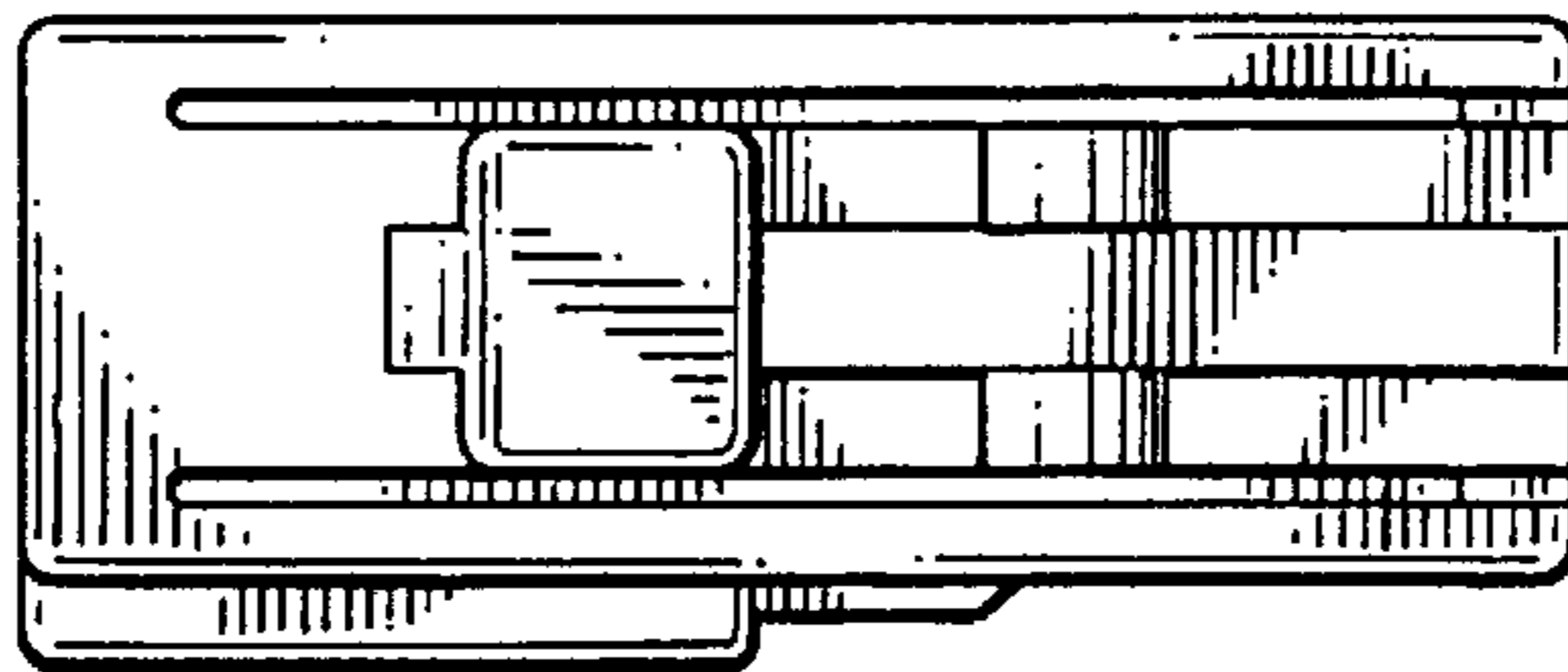


FIG. 3

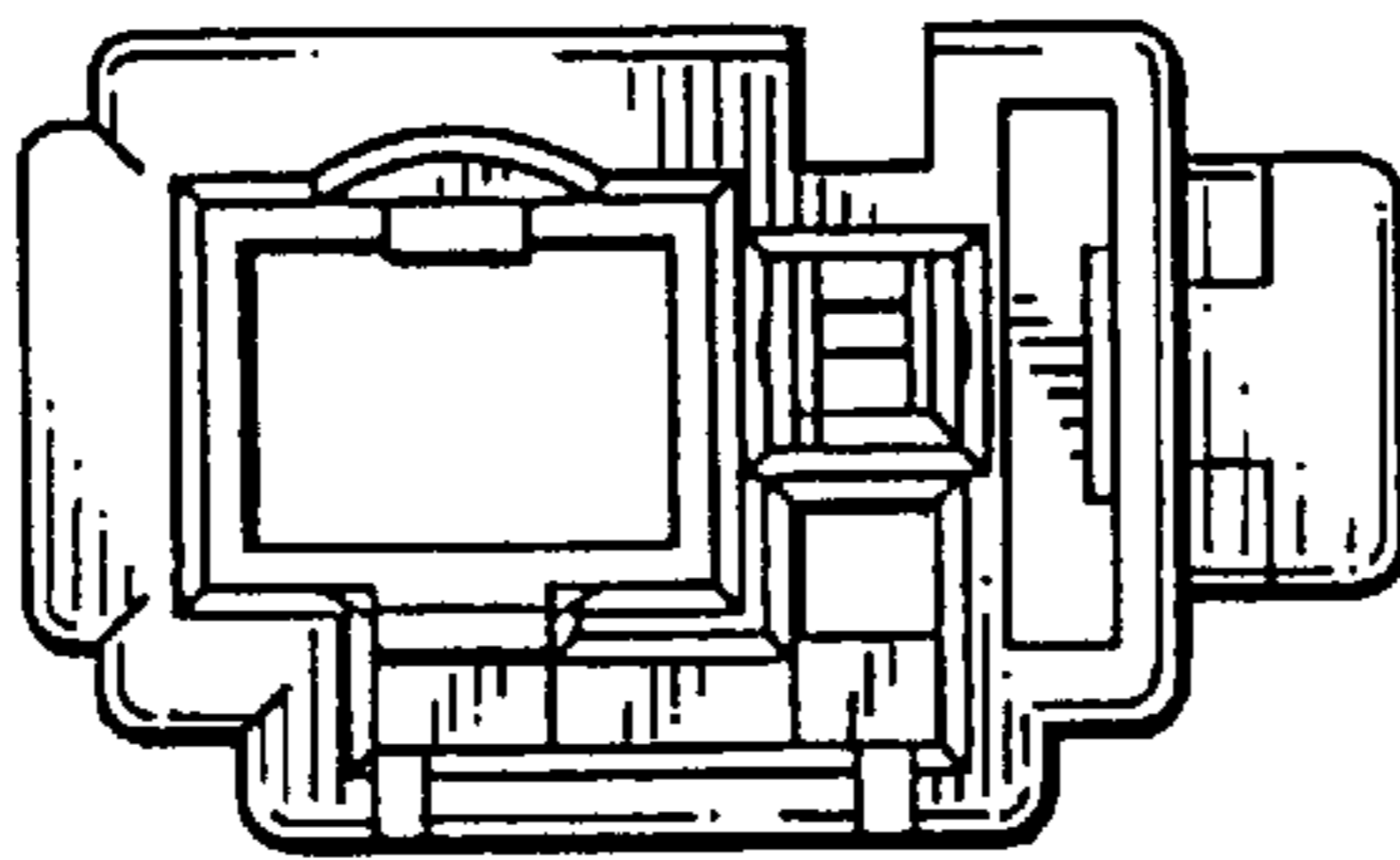


FIG. 4

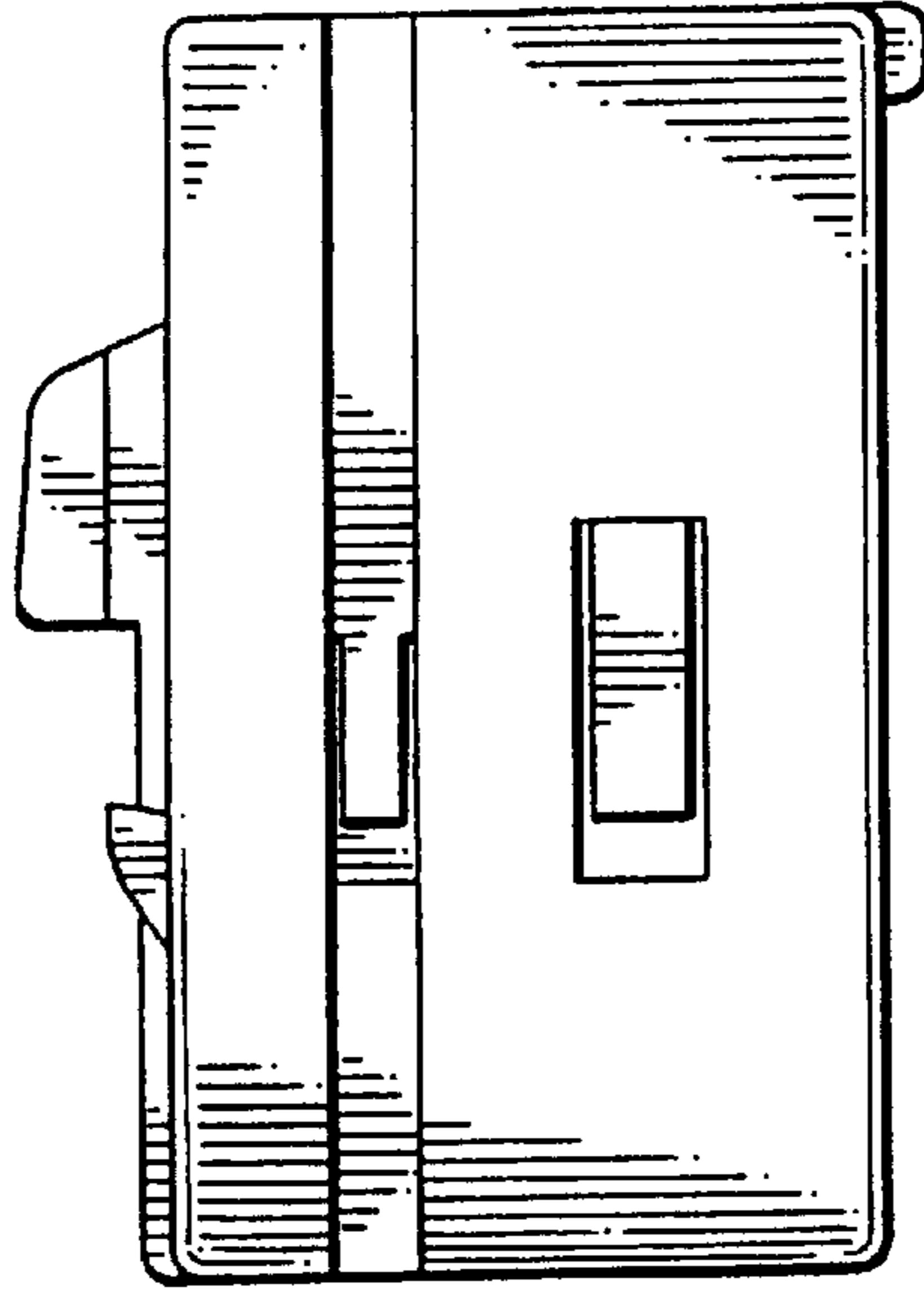


FIG. 5

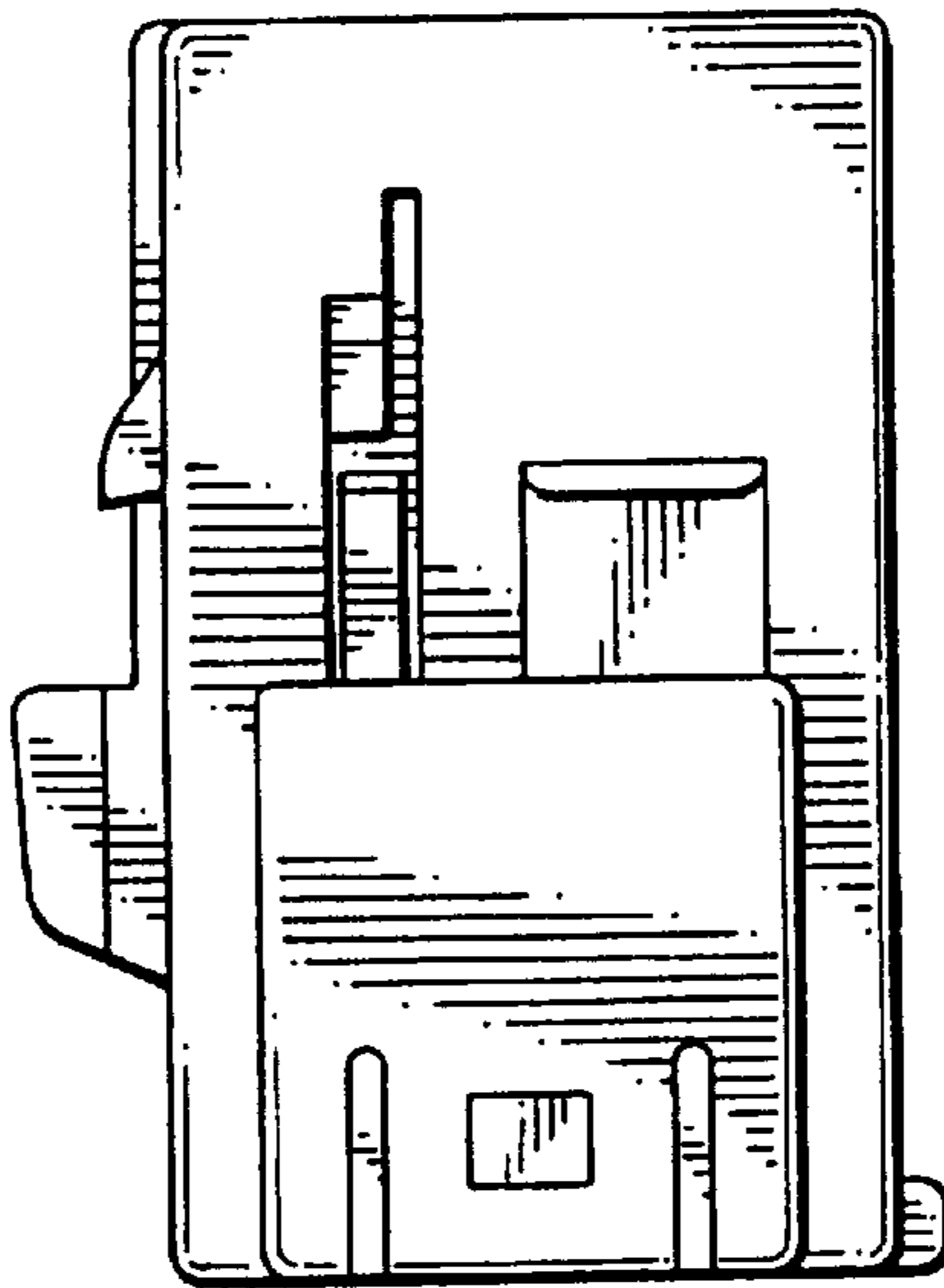


FIG. 6

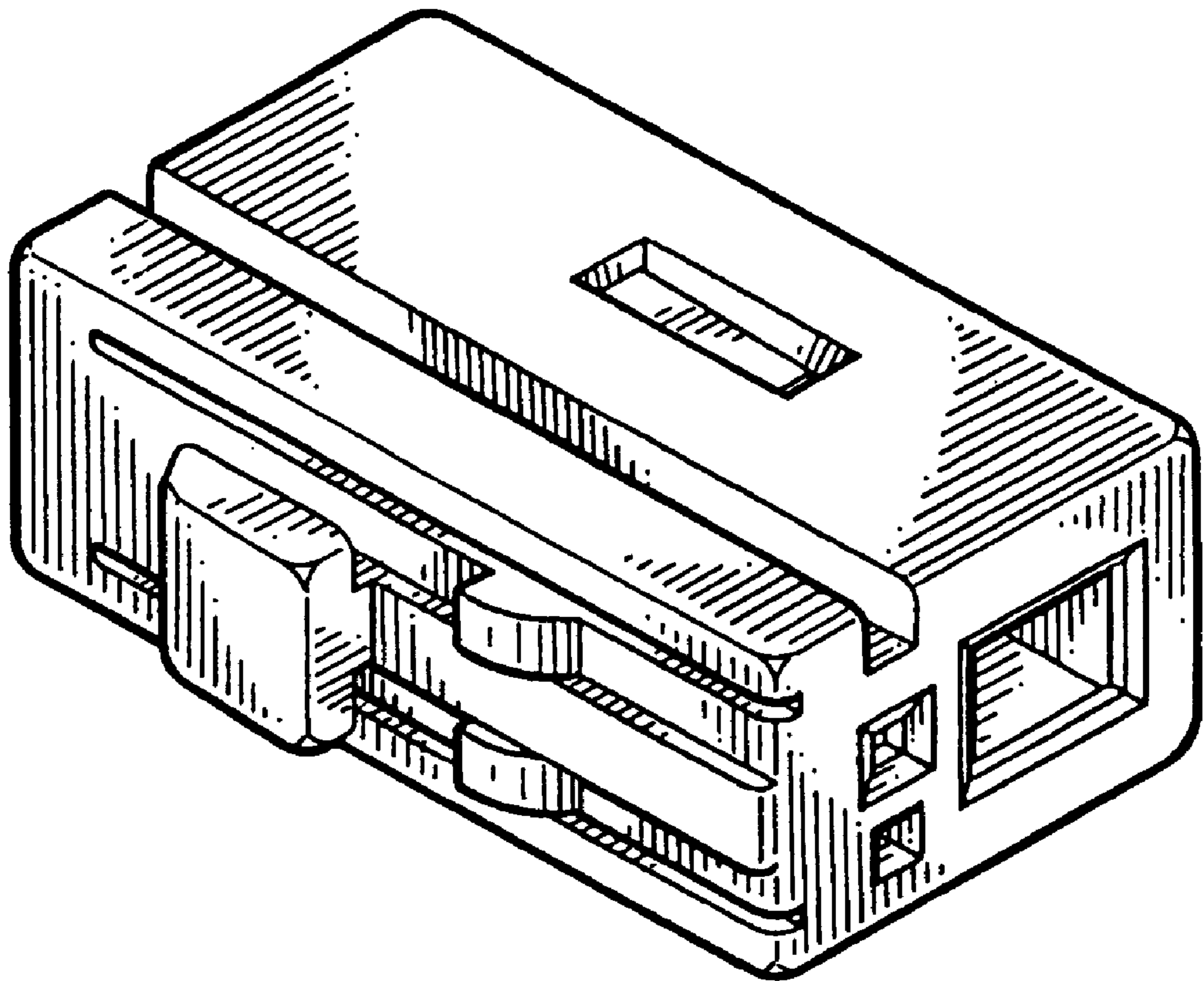


FIG. 7