



US00D454333S

(12) **United States Design Patent**
Ikeda et al.

(10) **Patent No.:** **US D454,333 S**
(45) **Date of Patent:** **** Mar. 12, 2002**

(54) **ELECTRICAL CONNECTOR HOUSING**

(75) Inventors: **Takuya Ikeda; Kousuke Nei**, both of Tokyo (JP)

(73) Assignee: **Hirose Electric Co., Ltd.**, Tokyo (JP)

(**) Term: **14 Years**

(21) Appl. No.: **29/141,641**

(22) Filed: **May 11, 2001**

(30) **Foreign Application Priority Data**

Nov. 28, 2000 (JP) 2000-033908

(51) **LOC (7) Cl.** **13-03**

(52) **U.S. Cl.** **D13/133**

(58) **Field of Search** D13/133; 439/567, 439/571, 717, 677, 680

(56) **References Cited**

U.S. PATENT DOCUMENTS

- 4,469,393 A * 9/1984 Chewning, Jr. et al. 439/717
- 4,629,351 A * 12/1986 Kato et al. 439/488
- 5,169,340 A * 12/1992 Nakata et al. 439/607
- 5,791,930 A * 8/1998 Tabata et al. 439/345

- 5,876,230 A * 3/1999 Nishide et al. 439/352
- 6,022,239 A * 2/2000 Wright 439/354
- 6,116,914 A * 9/2000 Koide 439/63
- 6,135,813 A * 10/2000 Philippe 439/571
- 6,171,150 B1 * 1/2001 Saito et al. 439/610
- D445,089 S * 7/2001 Sato et al. D13/133

* cited by examiner

Primary Examiner—Joel Sincavage

(74) *Attorney, Agent, or Firm*—Kanesaka & Takeuchi

(57) **CLAIM**

The ornamental design for an electrical connector housing, as shown and described.

DESCRIPTION

FIG. 1 is a left-hand side elevational view of an electrical connector housing showing an embodiment of our new design;

FIG. 2 is a front elevational view thereof;

FIG. 3 is a rear elevational view thereof;

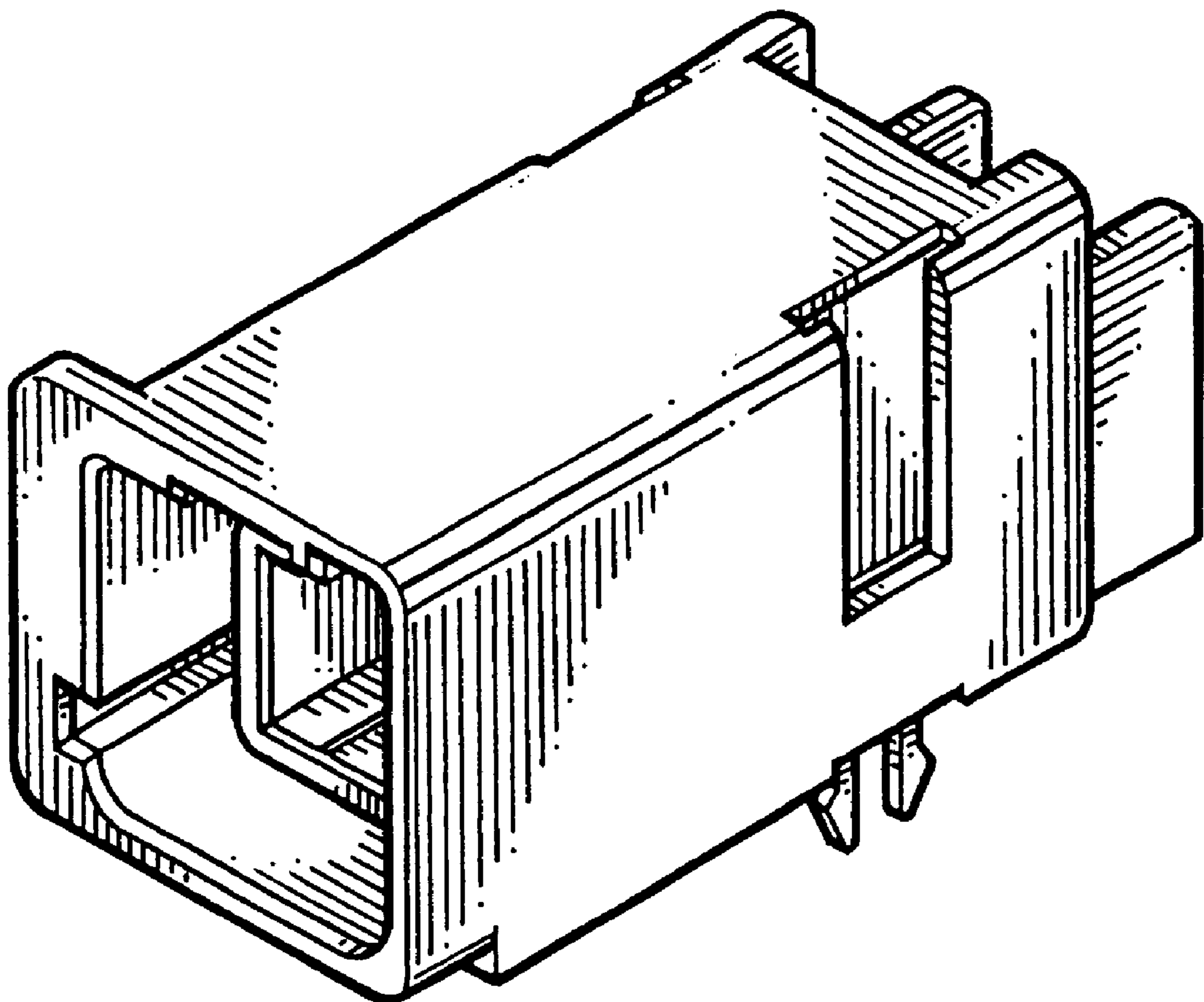
FIG. 4 is a right-hand side elevational view thereof;

FIG. 5 is a top plan view thereof;

FIG. 6 is a bottom plan view thereof; and,

FIG. 7 is an upper right perspective view thereof.

1 Claim, 3 Drawing Sheets



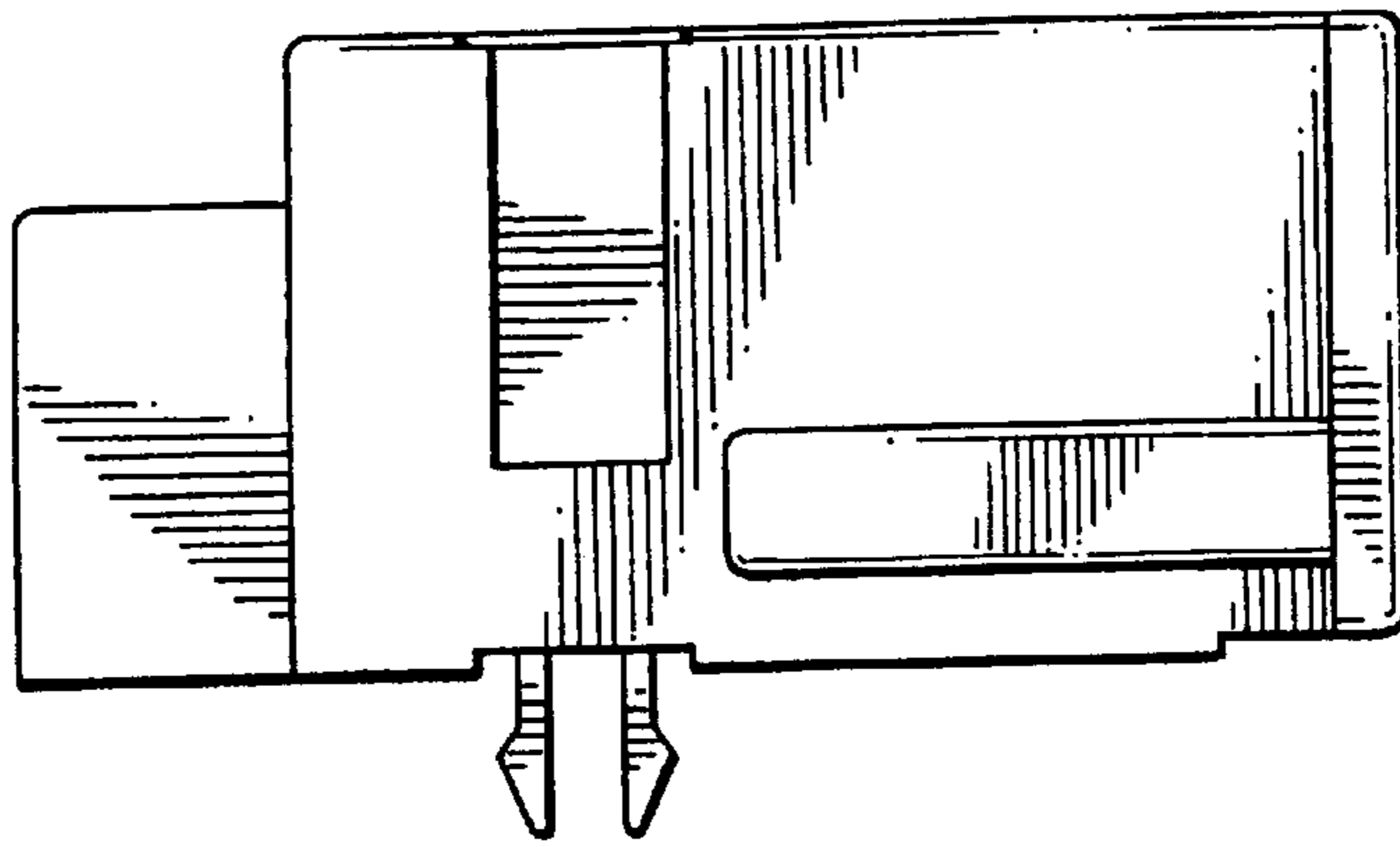


FIG. 1

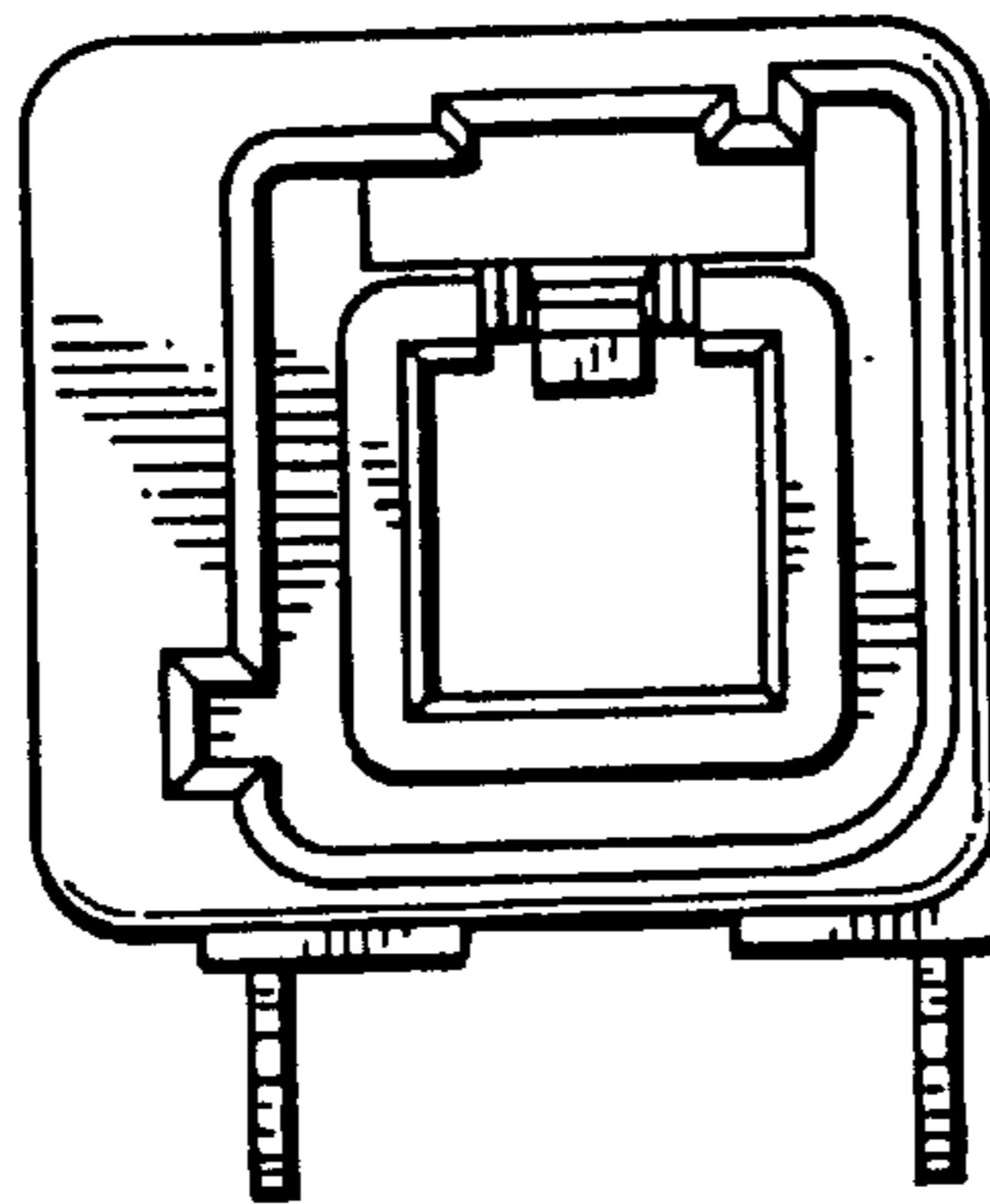


FIG. 2

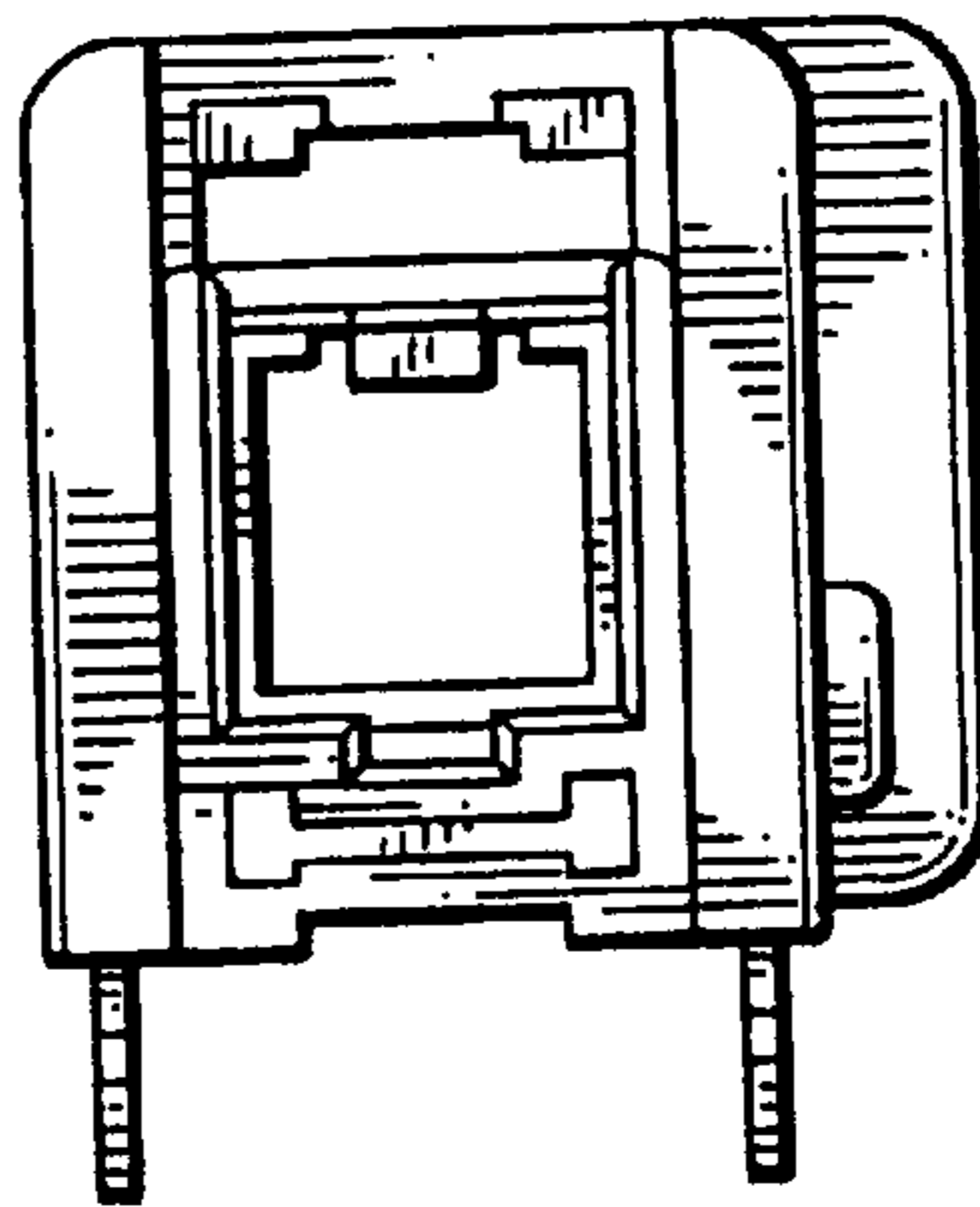


FIG. 3

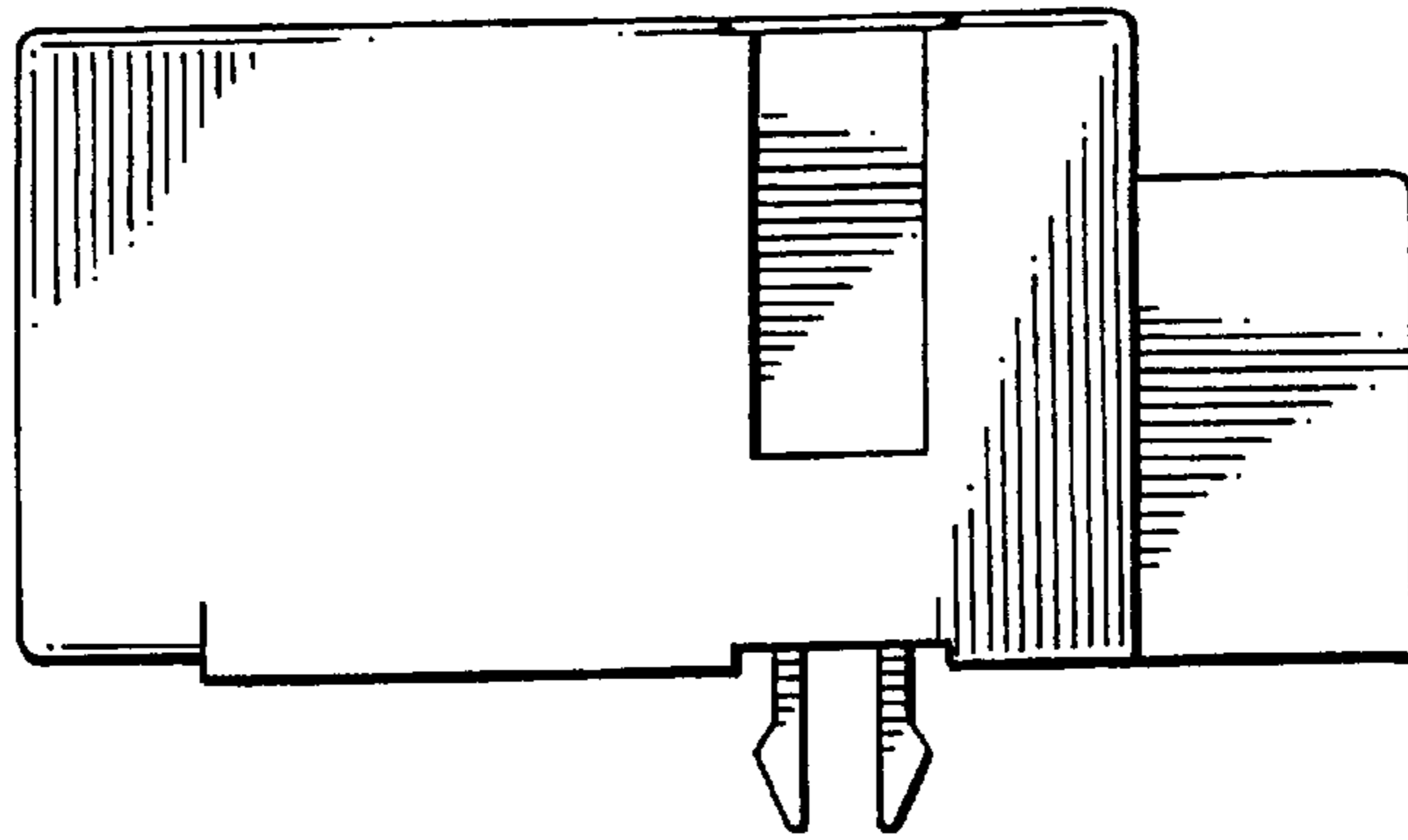


FIG. 4

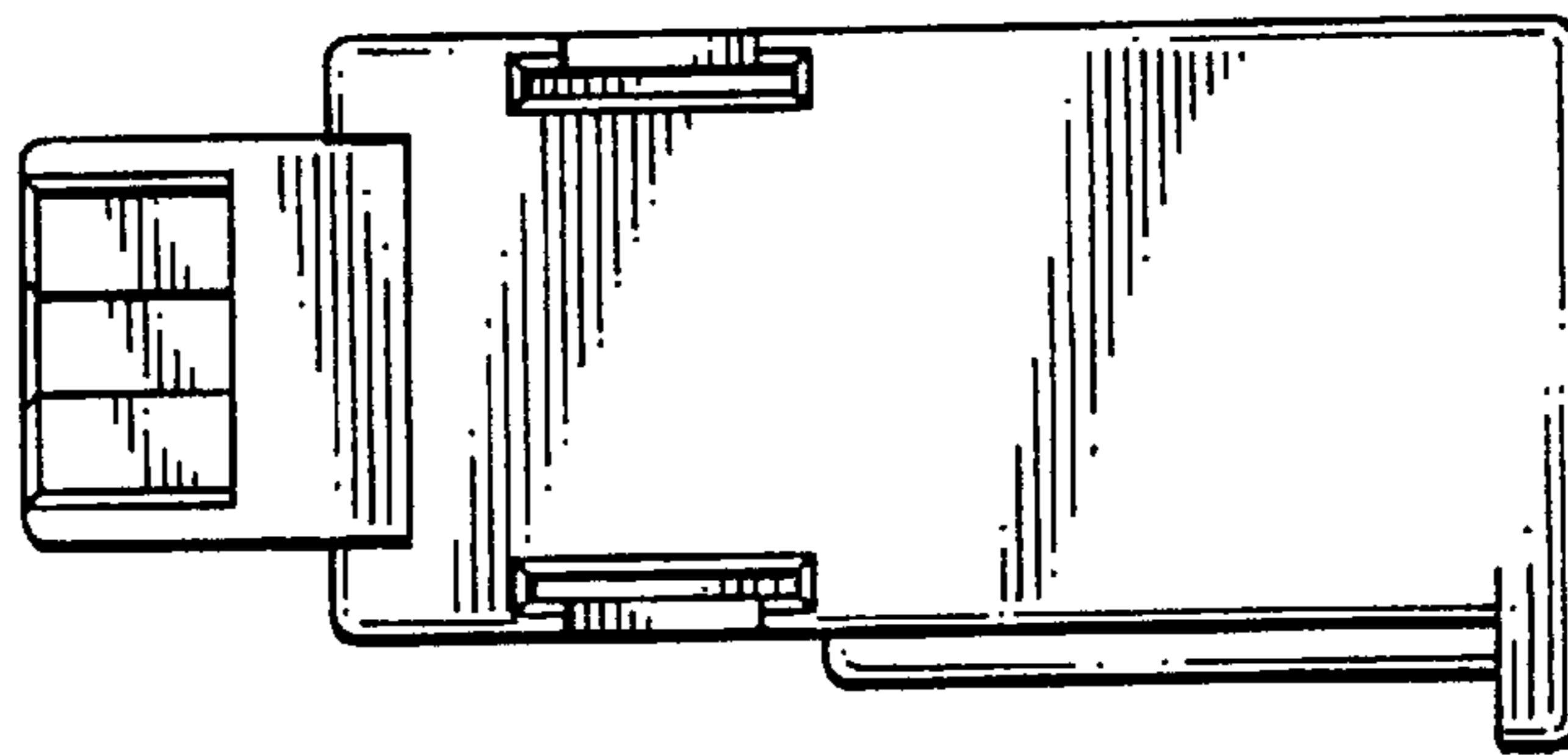


FIG. 5

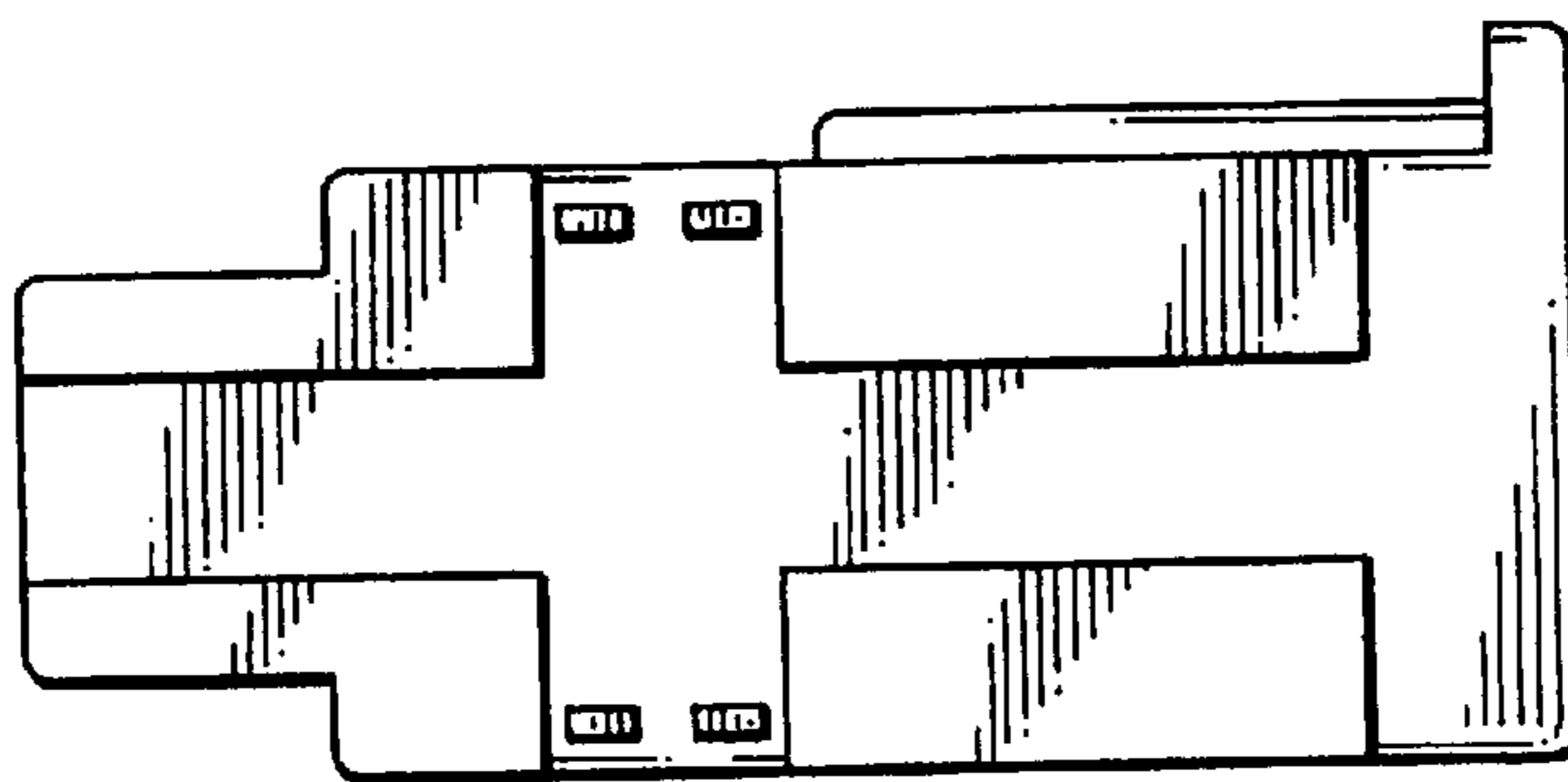


FIG. 6

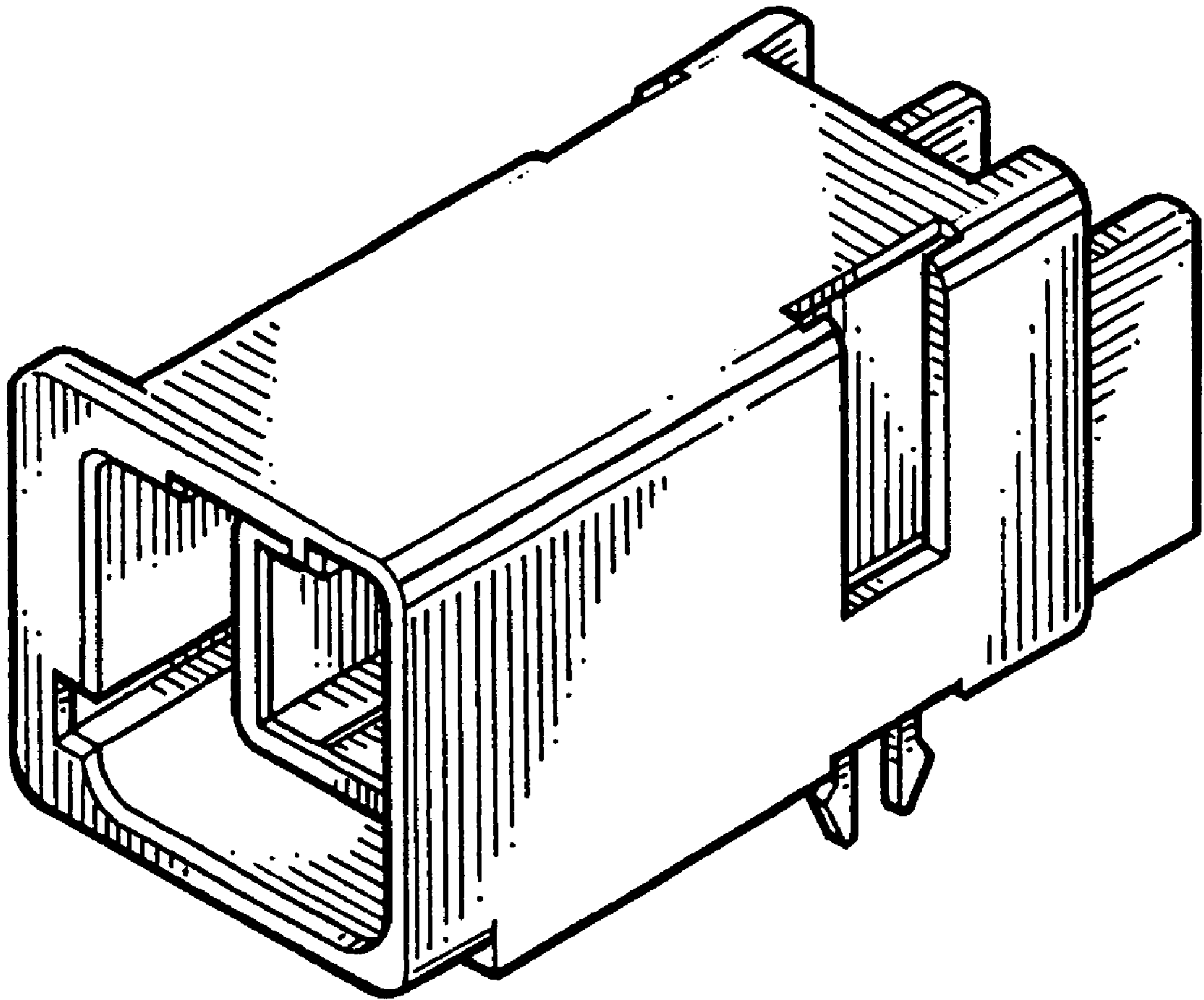


FIG. 7