



US00D454332S

(12) **United States Design Patent**
Yokoyama

(10) **Patent No.:** **US D454,332 S**

(45) **Date of Patent:** **** Mar. 12, 2002**

(54) **ELECTRIC CHARGER FOR RADIO TELEPHONES**

(75) Inventor: **Hiroko Yokoyama, Yokohama (JP)**

(73) Assignee: **Kabushiki Kaisha Toshiba, Kawasaki (JP)**

(**) Term: **14 Years**

(21) Appl. No.: **29/140,412**

(22) Filed: **Apr. 19, 2001**

(30) **Foreign Application Priority Data**

Dec. 11, 2000 (JP) 2000-035271

(51) **LOC (7) Cl.** **13-02**

(52) **U.S. Cl.** **D13/108**

(58) **Field of Search** **D13/107, 108;**
320/107-115

(56) **References Cited**

U.S. PATENT DOCUMENTS

D361,979 S	*	9/1995	Shirakawa et al.	D13/108
D368,892 S	*	4/1996	Tanaka	D13/108
6,049,192 A	*	4/2000	Kfoury et al.	320/113
D427,967 S	*	7/2000	Lloyd et al.	D13/107
D428,597 S		7/2000	Murata et al.		
6,127,802 A	*	10/2000	Lloyd et al.	320/113
D436,576 S	*	1/2001	Herrmann et al.	D13/107

FOREIGN PATENT DOCUMENTS

DE DM/038 189 11/1996

JP	848650	9/1992
JP	990880	9/1997
JP	992997	10/1997
JP	1014835	7/1998
JP	1015022	7/1998
JP	1051147	10/1999

OTHER PUBLICATIONS

Wisdom People International Co Ltd—CNTW—GD90 Cute LCD/LED Twin Chargers for Panasonic GD90—www.asia-globalsources.com—Accessed Sunday, Oct. 21, 2001.*

* cited by examiner

Primary Examiner—Joel Sincavage

(74) *Attorney, Agent, or Firm*—Banner & Witcoff, Ltd.

(57) **CLAIM**

The ornamental design for an electric charger for radio telephones, as shown and described.

DESCRIPTION

FIG. 1 is a top, front and right side perspective view of an electric charger for radio telephones showing my new design,

FIG. 2 is a front elevational view thereof,

FIG. 3 is a right side elevational view thereof, a left side elevational view being a mirror image thereof,

FIG. 4 is a top plan view thereof,

FIG. 5 is a bottom plan view thereof; and,

FIG. 6 is a rear elevational view thereof.

1 Claim, 3 Drawing Sheets

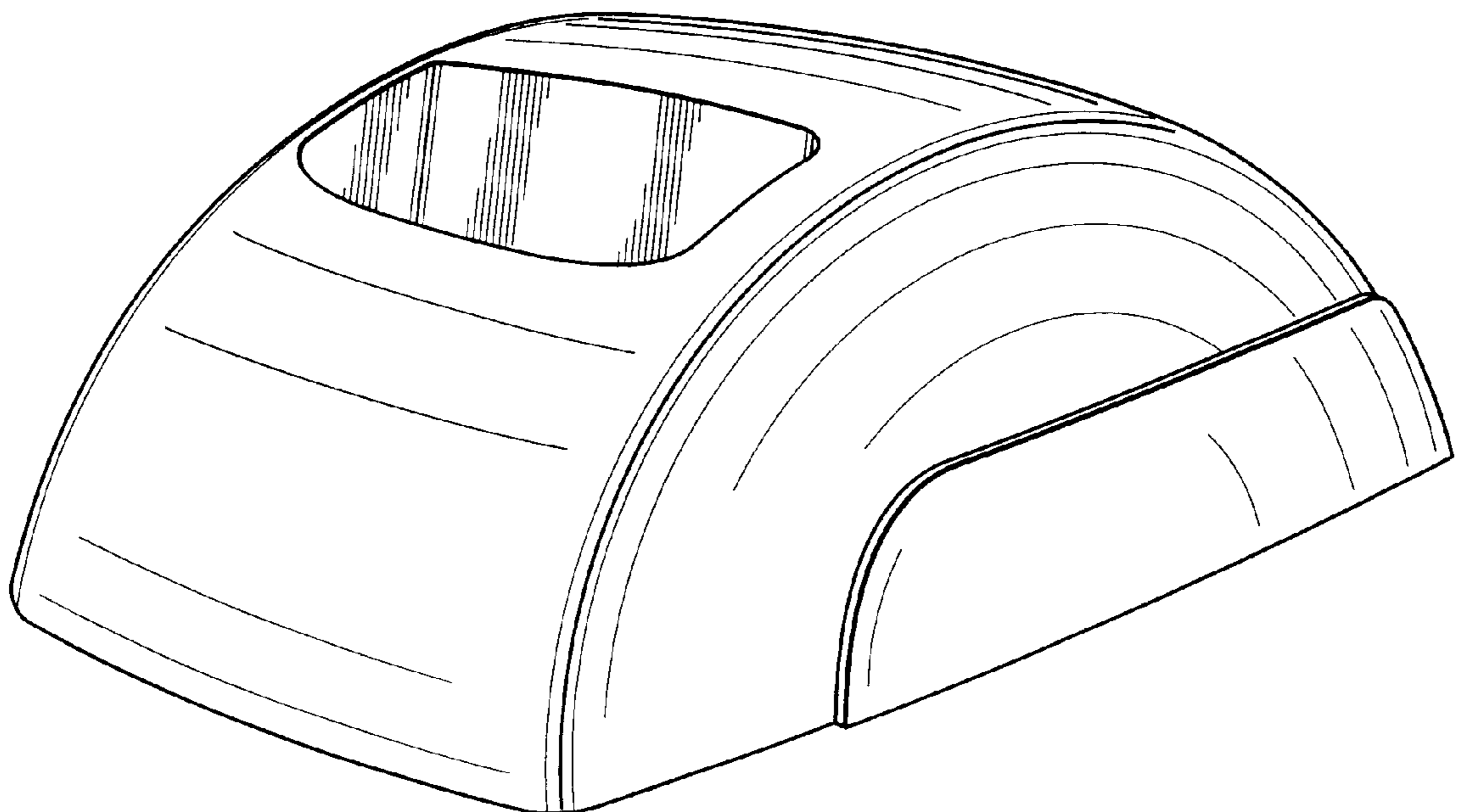


FIG. 1

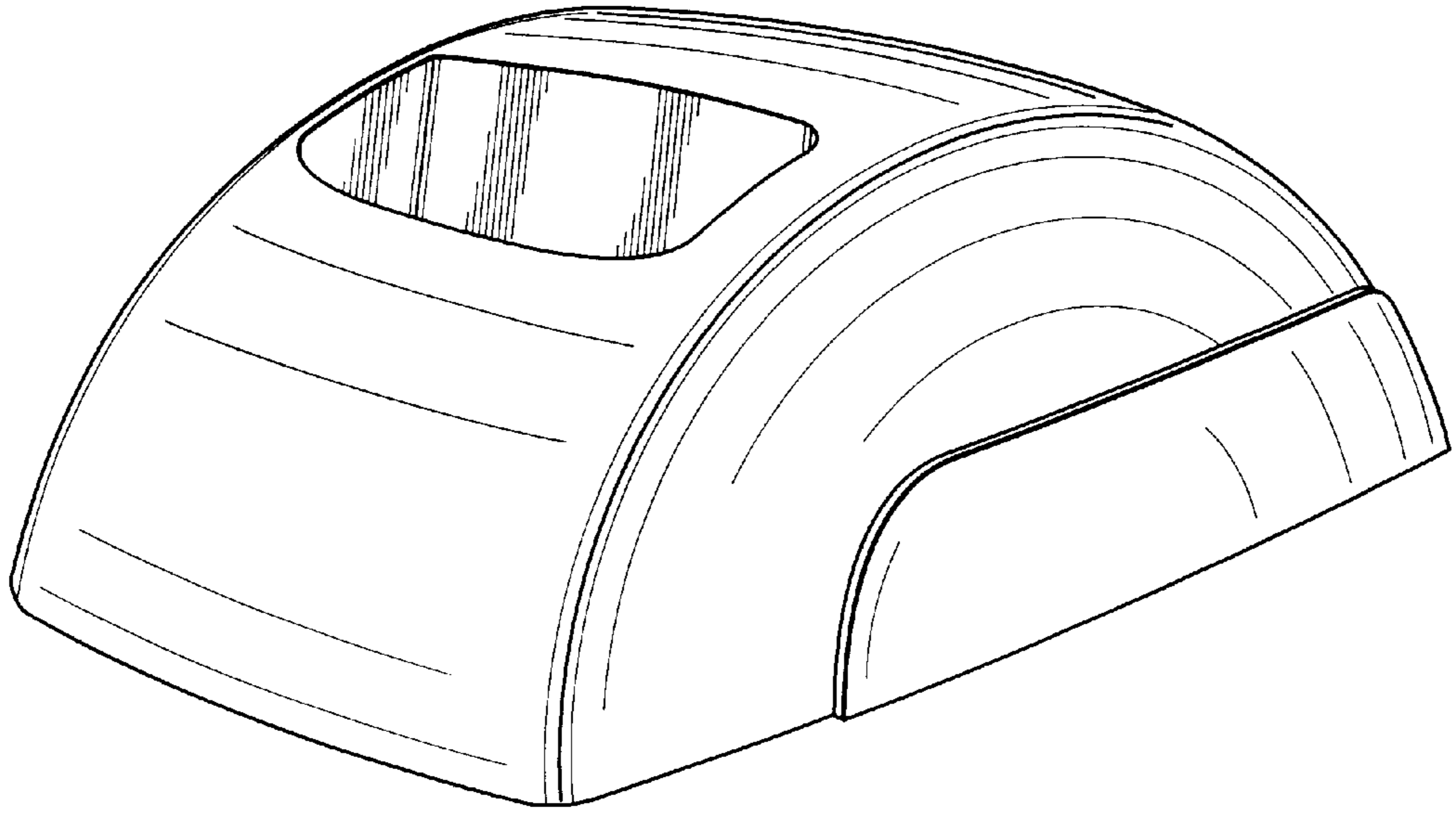


FIG. 2

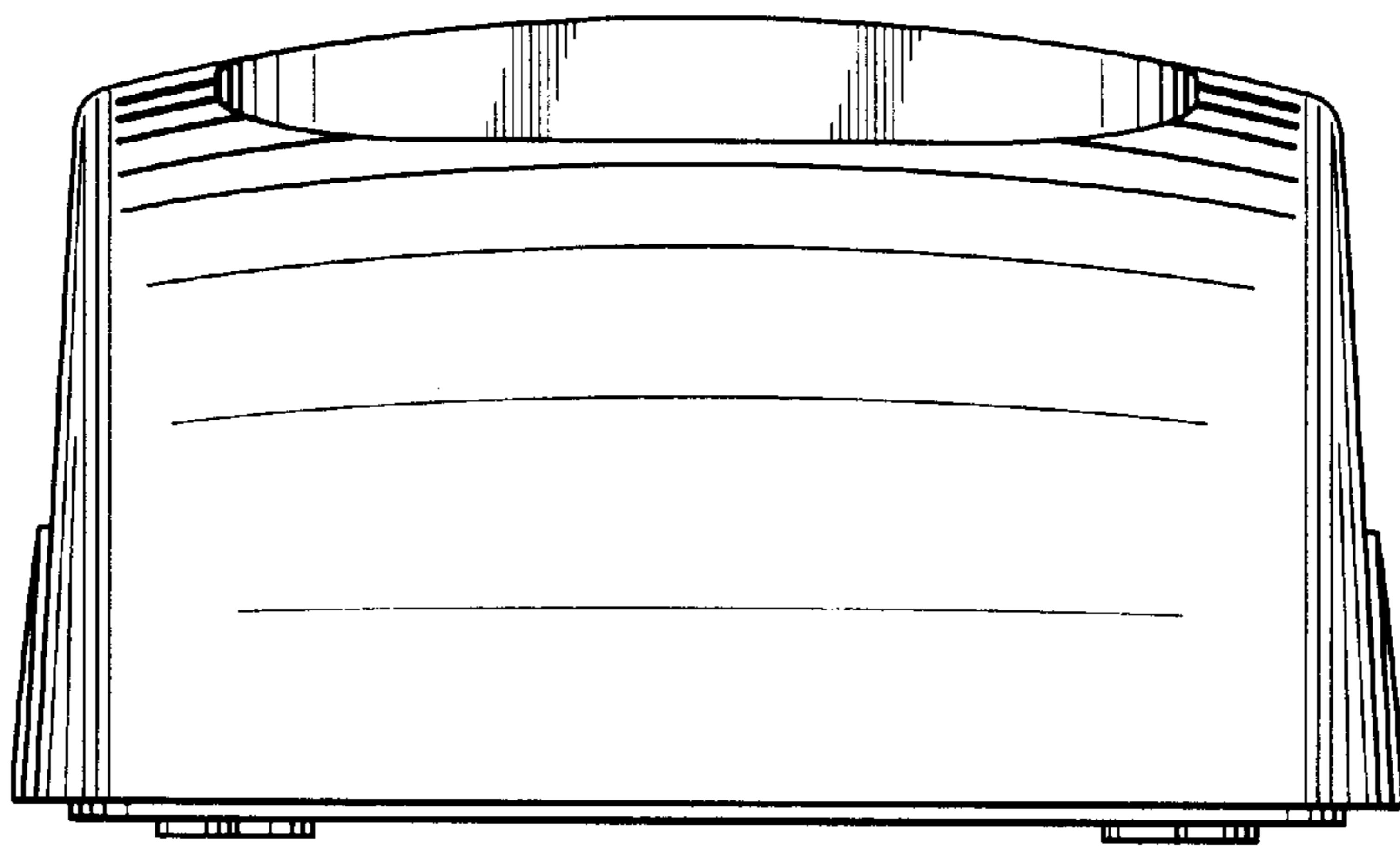


FIG. 3

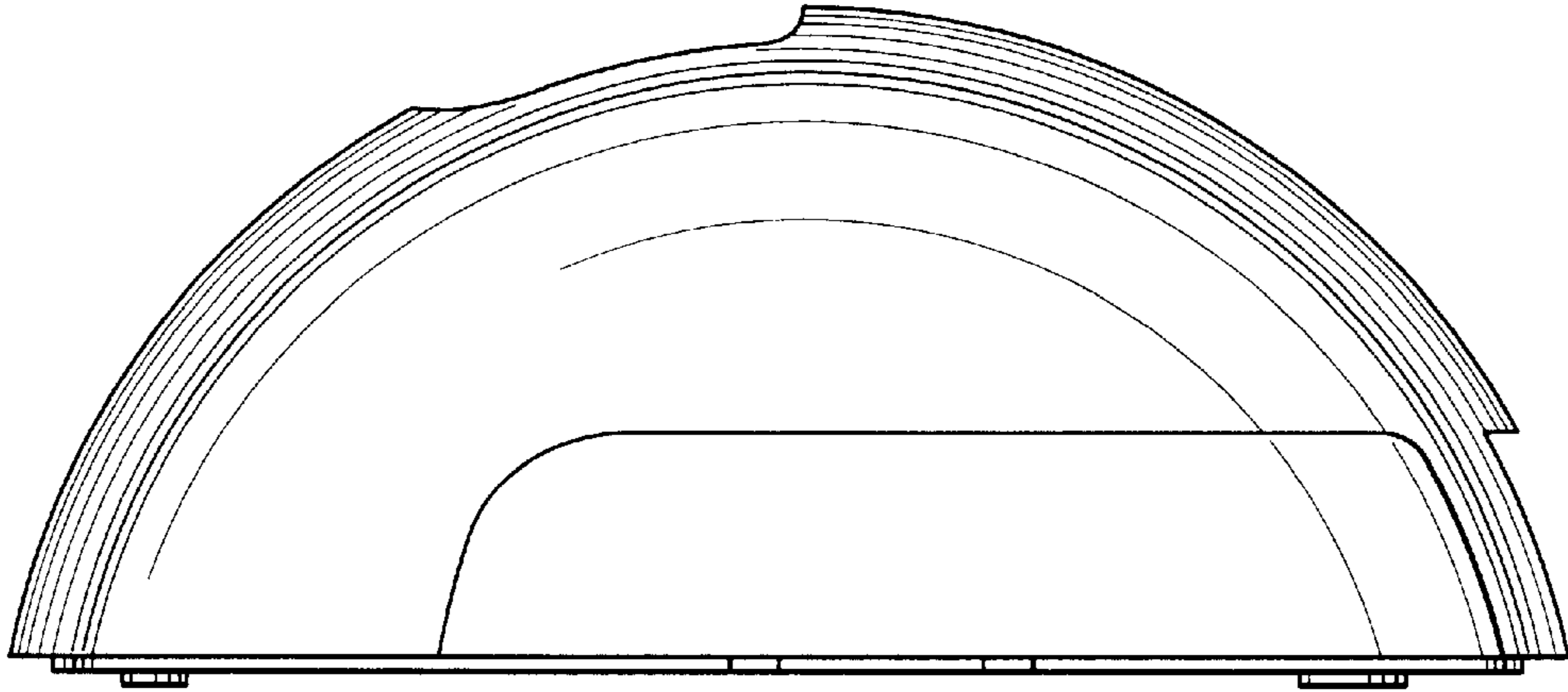


FIG. 4

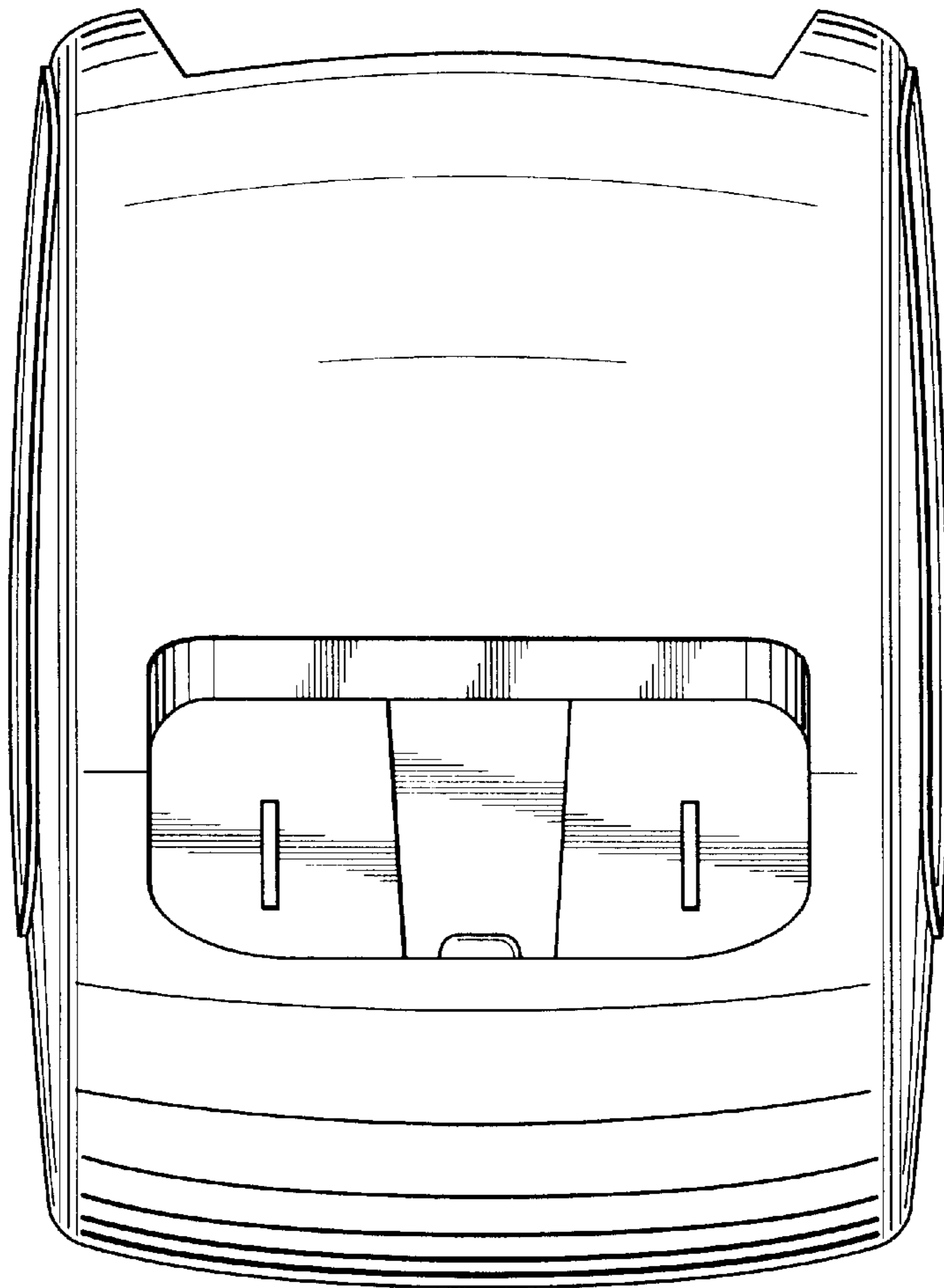


FIG. 5

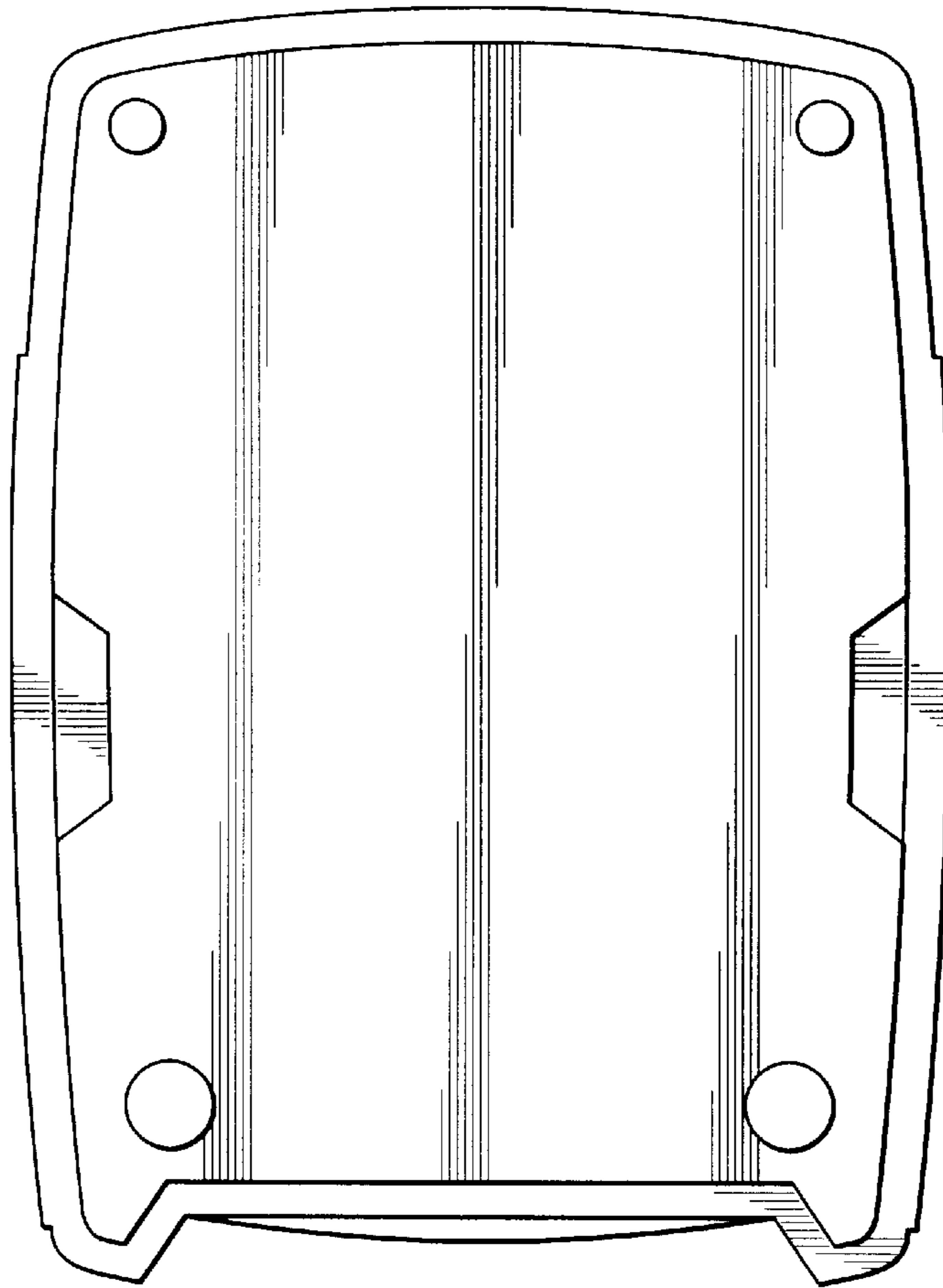


FIG. 6

