



US00D454330S

(12) **United States Design Patent** (10) **Patent No.:** **US D454,330 S**
Galante et al. (45) **Date of Patent:** **** Mar. 12, 2002**

(54) **TIRE TREAD**

(75) Inventors: **Richard Louis Galante**, Akron; **Susan Marie Spaeth**, Fairlawn, both of OH (US)

(73) Assignee: **The Goodyear Tire & Rubber Company**, Akron, OH (US)

(**) Term: **14 Years**

(21) Appl. No.: **29/128,853**

(22) Filed: **Aug. 31, 2000**

(51) **LOC (7) Cl.** **12-15**

(52) **U.S. Cl.** **D12/588**

(58) **Field of Search** D12/512, 513, D12/544, 545, 551, 552, 553, 555, 579, 580, 582, 583, 584, 586, 588, 590, 594, 595, 596, 597, 598, 600, 602; 152/209.1, 209.9, 209.12, 209.13, 209.18, 209.25

(56) **References Cited**

U.S. PATENT DOCUMENTS

D219,942 S	*	2/1971	Smithkey, Jr. et al.	D12/586
D292,078 S	*	9/1987	Takeuchi	D12/590
5,361,815 A		11/1994	Loser et al.	152/209 R
5,580,404 A		12/1996	Hitzkky	152/209 R
D391,537 S		3/1998	Maxwell	D12/148
5,891,276 A		4/1999	Takahashi	152/209 R
D419,119 S		1/2000	Beauguitte et al.	D12/147

OTHER PUBLICATIONS

Bridgestone R293 Tire, 1999 Tread Design Guide, Jan. 1999, p. 127. 1/4.*

Federal Maha Rib 275 Tire, 1999 Tread Design Guide, Jan. 1999, p. 135. 3/5.*

Hankook F35 Tire, 1999 Tread Design Guide, Jan. 1999, p. 141. 1/1.*

Michelin XZA 1 Tire, Michelin Commercial Light Truck Tire and Truck Tire Data Book (2nd Edition). p. 23.*

* cited by examiner

Primary Examiner—Robert M. Spear

(74) *Attorney, Agent, or Firm*—David L. King

(57) **CLAIM**

The ornamental Design for a tire tread, as shown and described.

DESCRIPTION

FIG. 1 is a perspective view of a tire tread showing our new design, it being understood that the pattern repeats uniformly throughout the circumference of the tread;

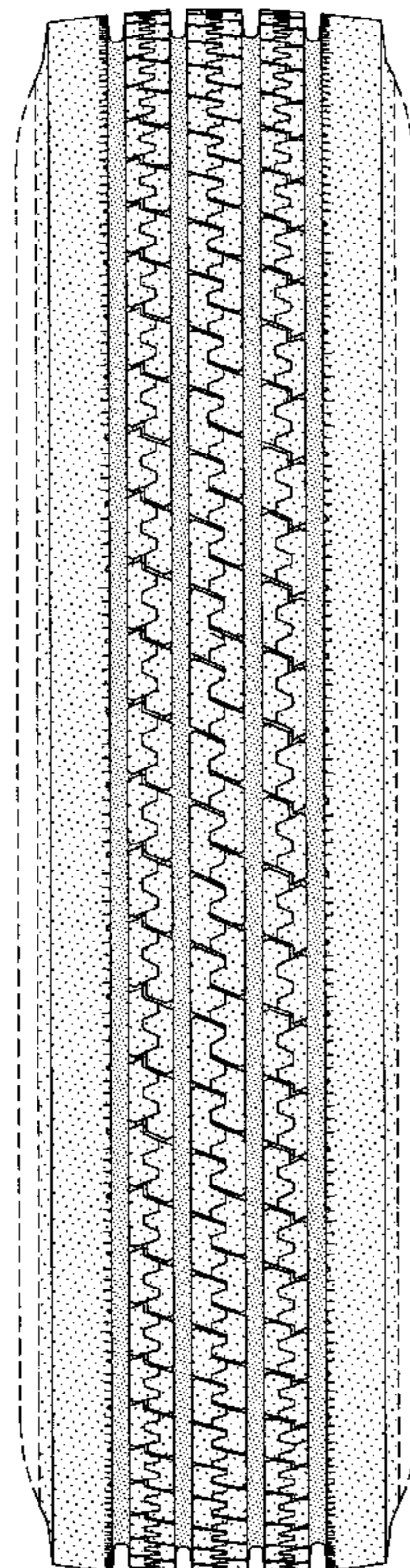
FIG. 2 is a front elevational view thereof;

FIG. 3 is a side elevational view thereof, the opposite side elevational view being identical thereto; and,

FIG. 4 is an enlarged fragmentary perspective view.

In the drawings, the broken lines defining the inner bead and sidewall and the peripheral boundary between the tire tread and the sidewall are for illustrative purposes only and form no part of the claimed design.

1 Claim, 4 Drawing Sheets



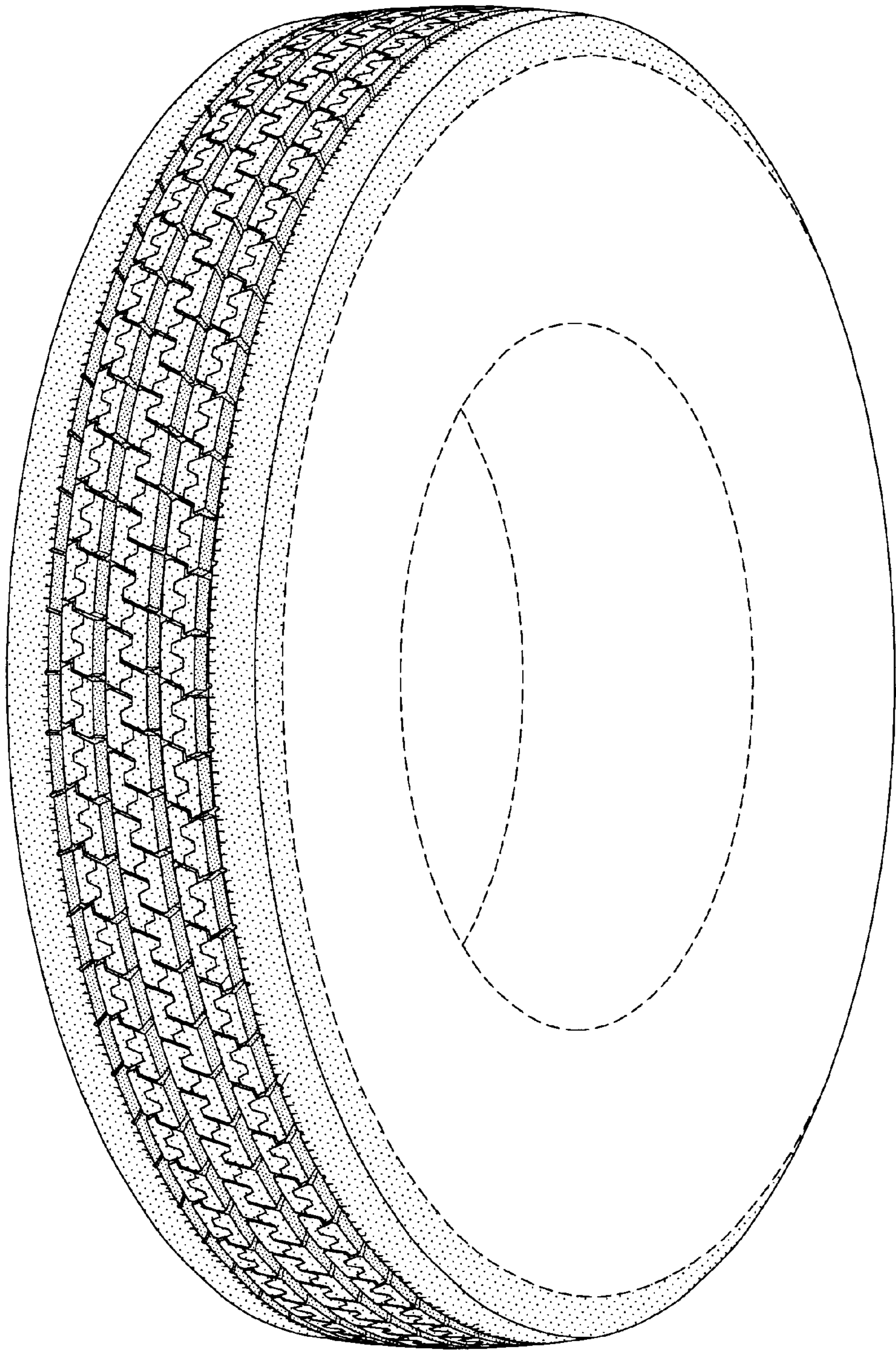


FIG-1

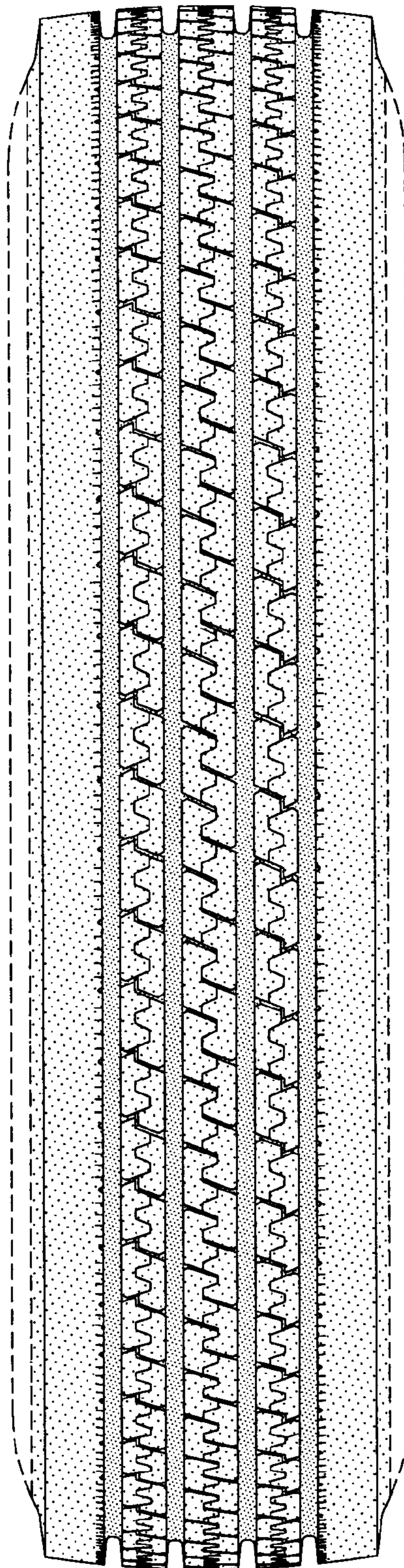


FIG-2

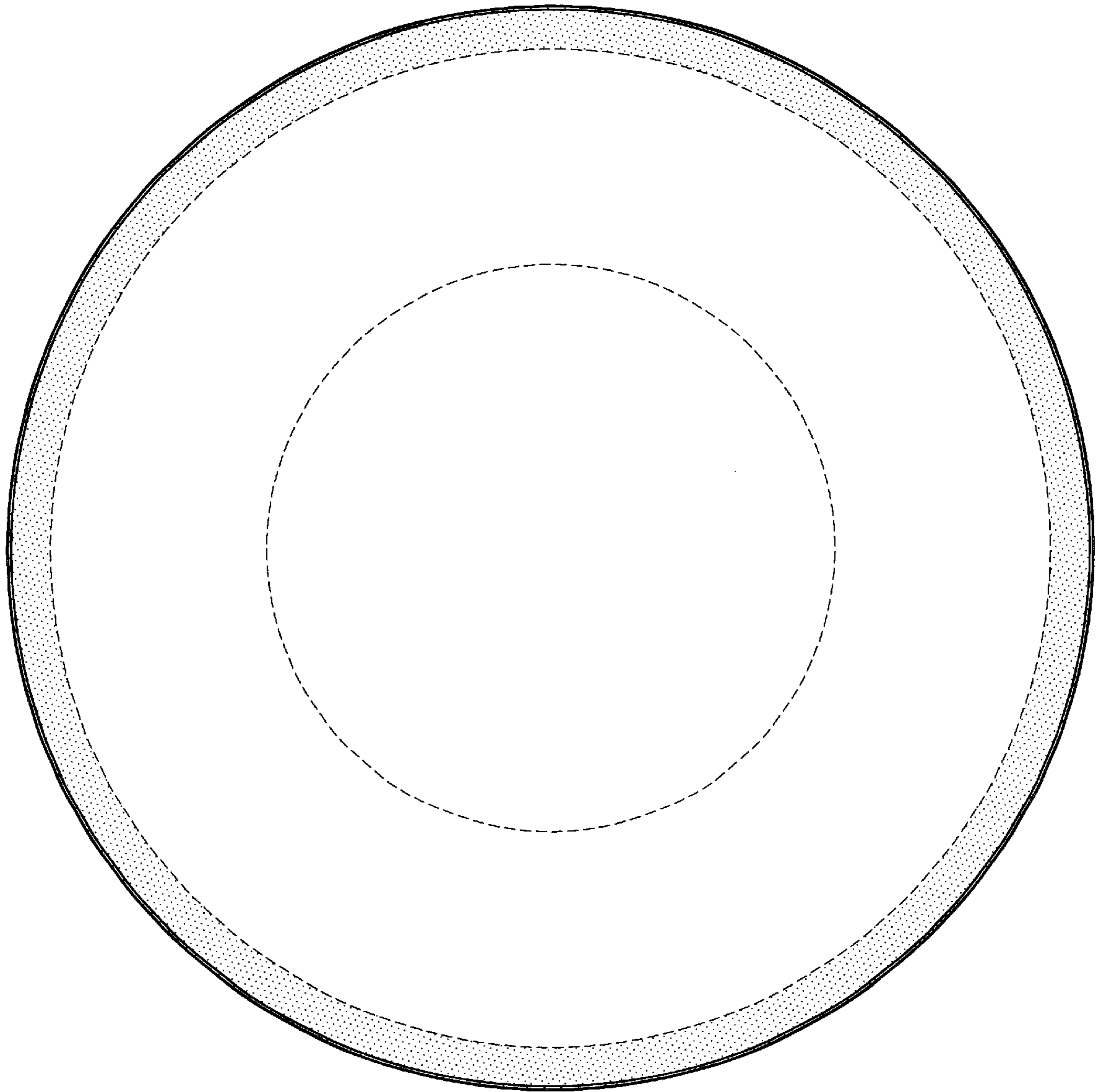


FIG-3

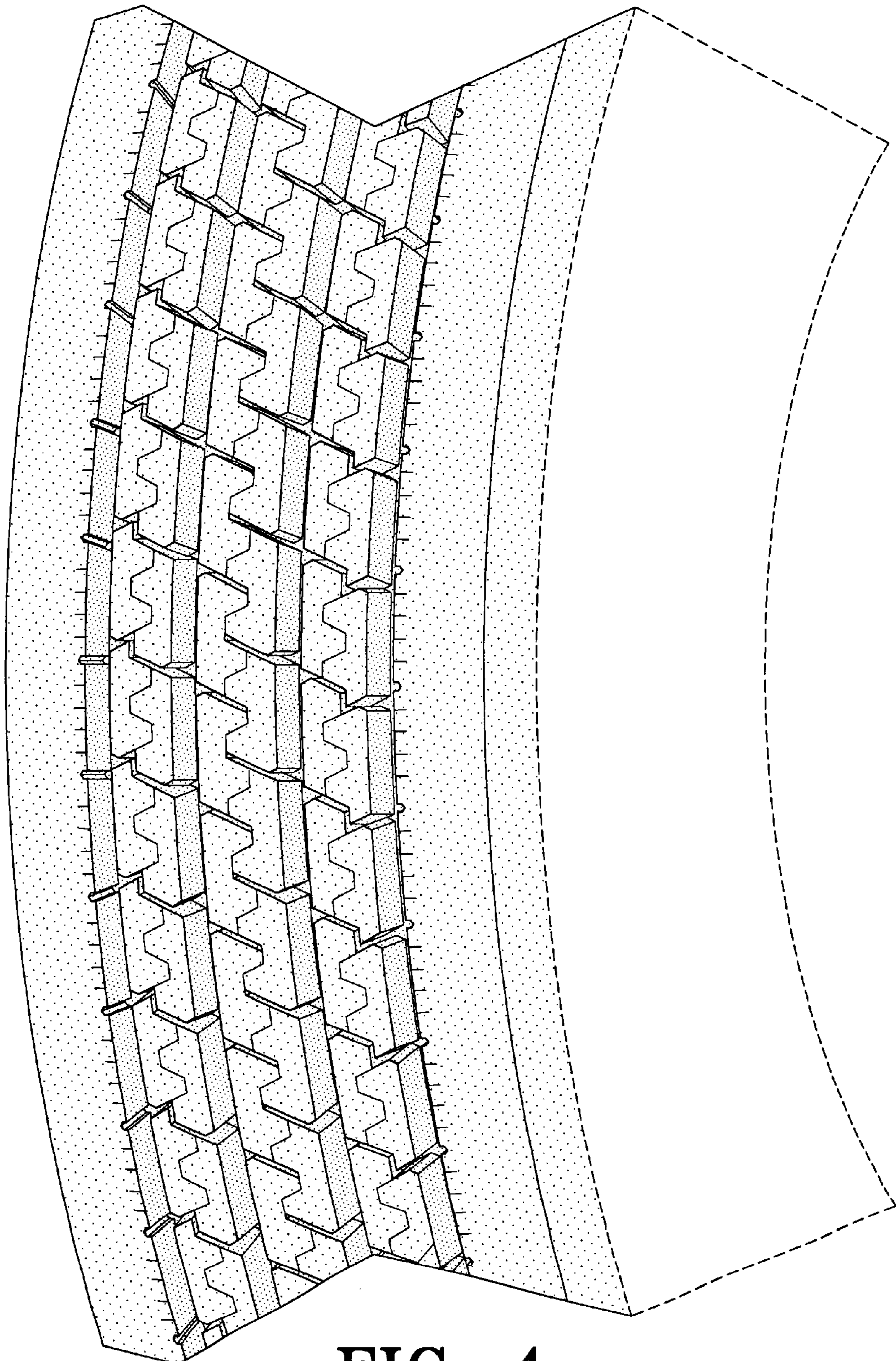


FIG-4