



US00D454329S

(12) **United States Design Patent**
Buseman

(10) **Patent No.:** **US D454,329 S**

(45) **Date of Patent:** **** Mar. 12, 2002**

(54) **CAR TOP CARRIER**

(76) **Inventor:** **Eric N. Buseman**, 1369 NW. 137th Ct.,
Clive, IA (US) 50325

(**) **Term:** **14 Years**

(21) **Appl. No.:** **29/146,272**

(22) **Filed:** **Aug. 7, 2001**

(51) **LOC (7) Cl.** **12-16**

(52) **U.S. Cl.** **D12/412**

(58) **Field of Search** D12/406, 412-414.1;
296/3, 100, 37.1; 224/309, 310-315, 323-329,
321, 400; 280/760, 848, 727, 762, 769;
D3/304-306; D6/552, 556

(56) **References Cited**

U.S. PATENT DOCUMENTS

D181,748 S	*	12/1957	Pawly et al.	D12/412
3,583,613 A		6/1971	Gish	
3,861,572 A		1/1975	Norris et al.	
3,901,422 A		8/1975	Anderson et al.	
D237,376 S	*	10/1975	Barrett et al.	D12/412
4,007,862 A		2/1977	Heftmann	
D246,238 S	*	11/1977	Boas	D12/412
4,108,342 A		8/1978	Riva	
4,219,142 A		8/1980	MacPherson	
4,222,508 A		9/1980	Bott	
4,586,638 A		5/1986	Prescott et al.	
4,632,289 A		12/1986	Morissette	
D288,193 S	*	2/1987	Caron	D12/412
4,641,769 A		2/1987	Ten Angel	
4,684,048 A		8/1987	Bott	
4,728,244 A		3/1988	Stokkendal	
4,747,529 A		5/1988	Hinderaker et al.	
4,809,943 A		3/1989	Taschero	
4,958,760 A		9/1990	Mule et al.	

5,288,003 A		2/1994	MacDonald	
5,358,162 A		10/1994	Hill	
5,383,589 A		1/1995	Tracy et al.	
5,423,466 A		6/1995	Moon	
5,456,395 A		10/1995	Katz et al.	
D406,557 S	*	3/1999	Bentley	D12/412
D413,562 S	*	9/1999	Van Dusen et al.	D12/412
D422,553 S	*	4/2000	Vonduyke	D12/412
D434,364 S	*	11/2000	Bauer et al.	D12/412
D434,718 S	*	12/2000	Kreisler	D12/412
D435,510 S	*	12/2000	Quidort	D12/412

* cited by examiner

Primary Examiner—Stacia Cadmus

(74) *Attorney, Agent, or Firm*—Henderson & Sturm LLP

(57) **CLAIM**

The ornamental design for a car top carrier, as shown and described.

DESCRIPTION

A portion of the disclosure of this patent document, including appendices, may contain material which is subject to copyright protection. The copyright owner has no objection to the facsimile reproduction by anyone of the patent document or the patent disclosure, as it appears in the Patent and Trademark Office patent file or records, but otherwise reserves all copyright rights whatsoever.

FIG. 1 is a perspective view of the car top carrier showing my new design;

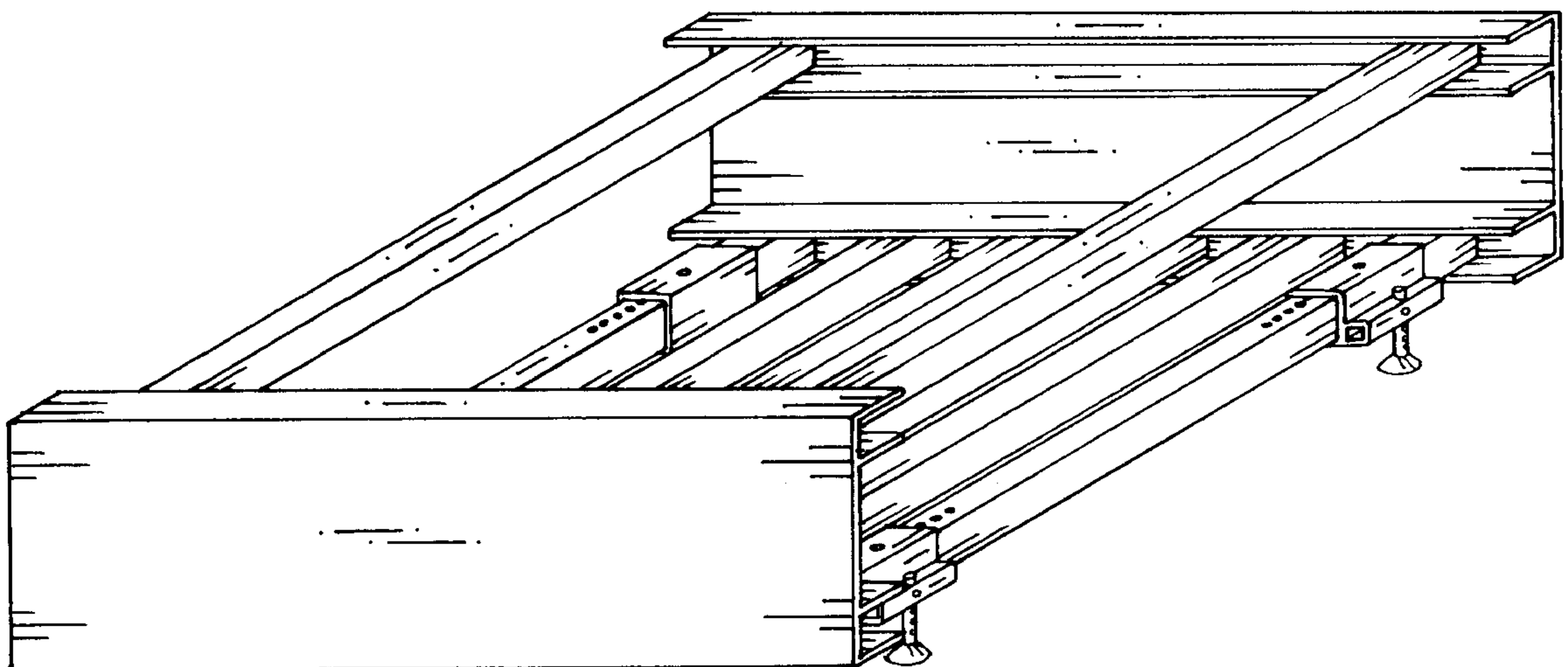
FIG. 2 is a side elevational view thereof, the left and right side views being identical;

FIG. 3 is a front elevational view thereof, the rear elevational view being identical;

FIG. 4 is a top plan view thereof; and,

FIG. 5 is a bottom plan view thereof.

1 Claim, 4 Drawing Sheets



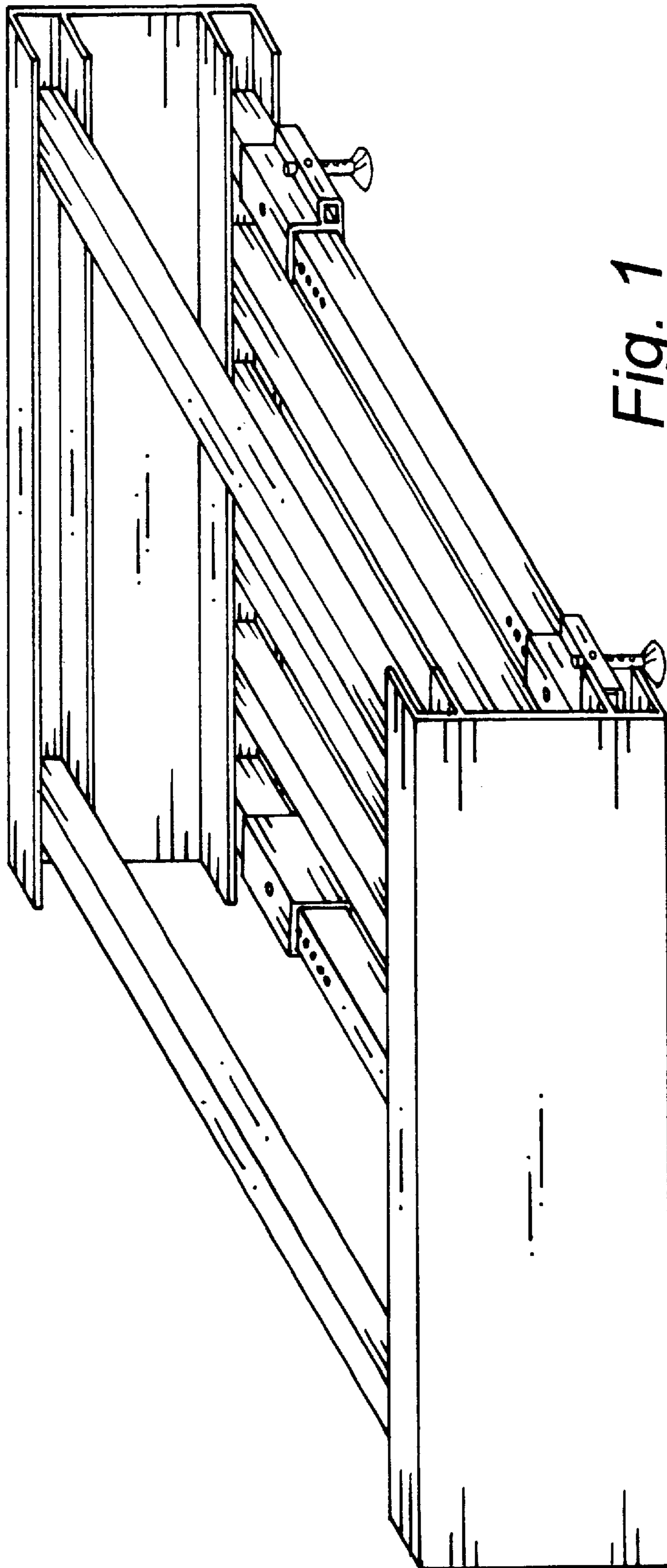


Fig. 1



Fig. 2

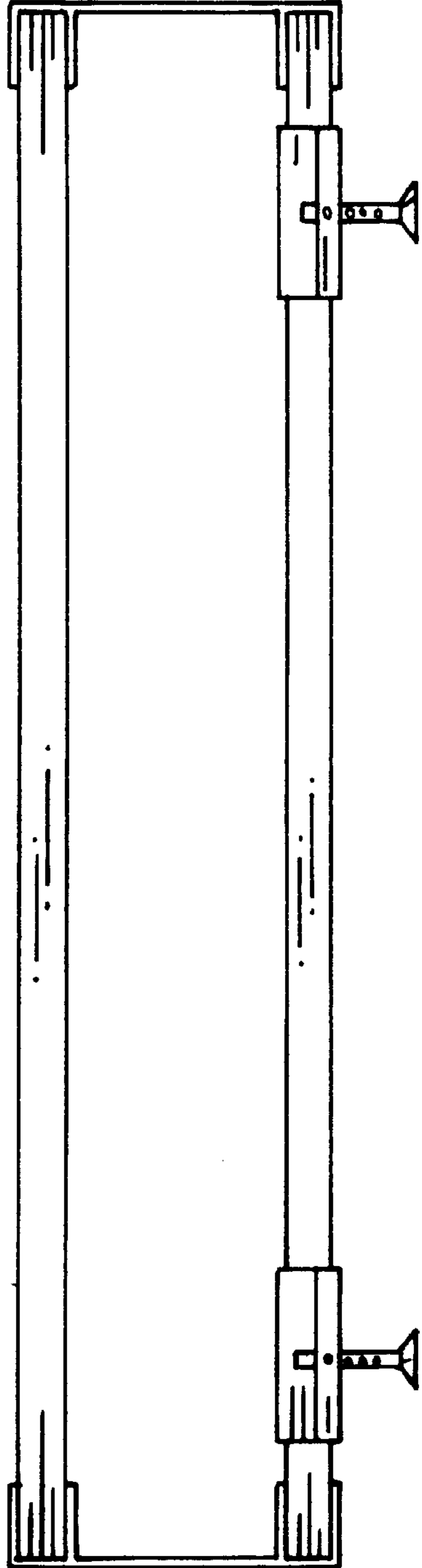


Fig. 3

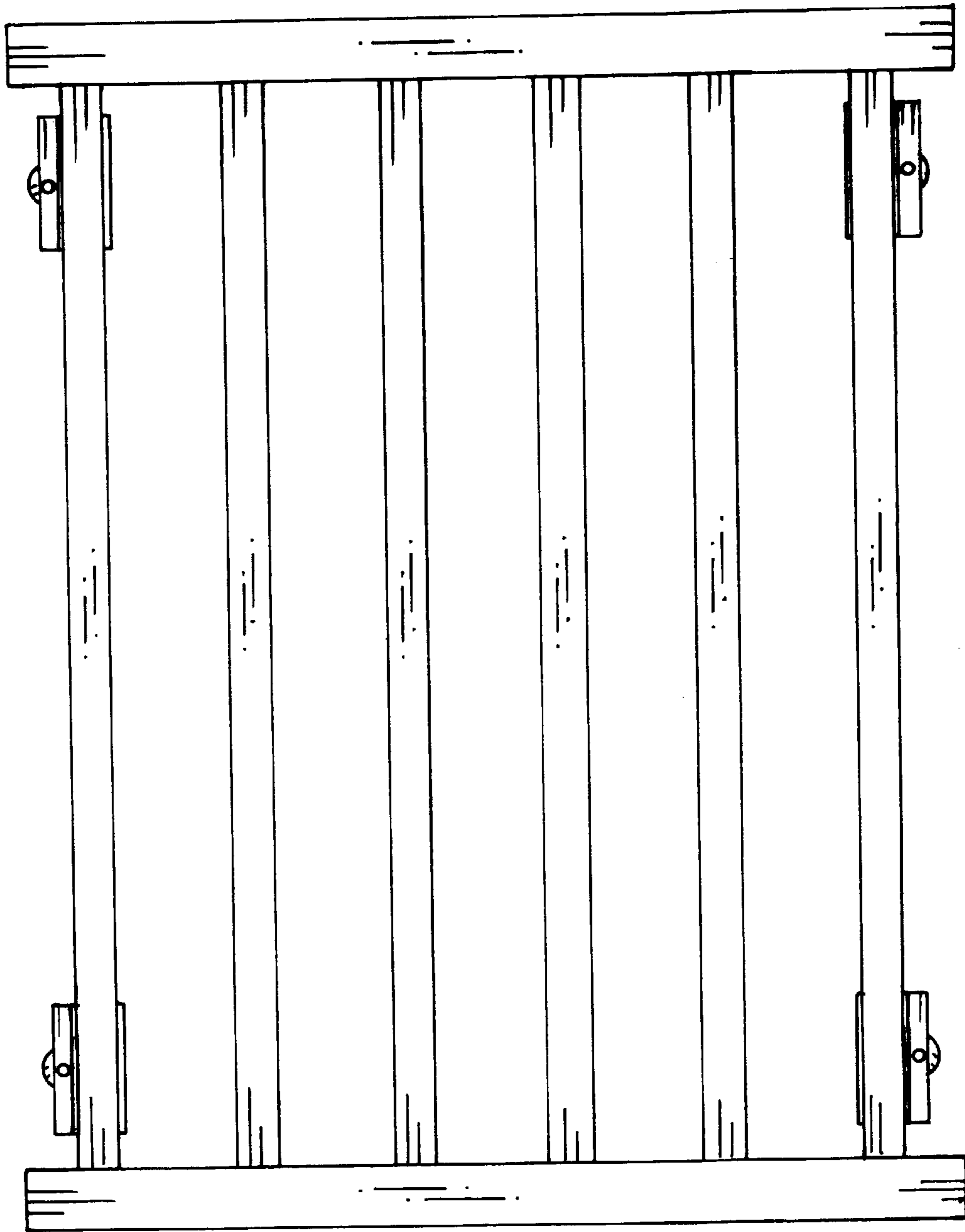


Fig. 4

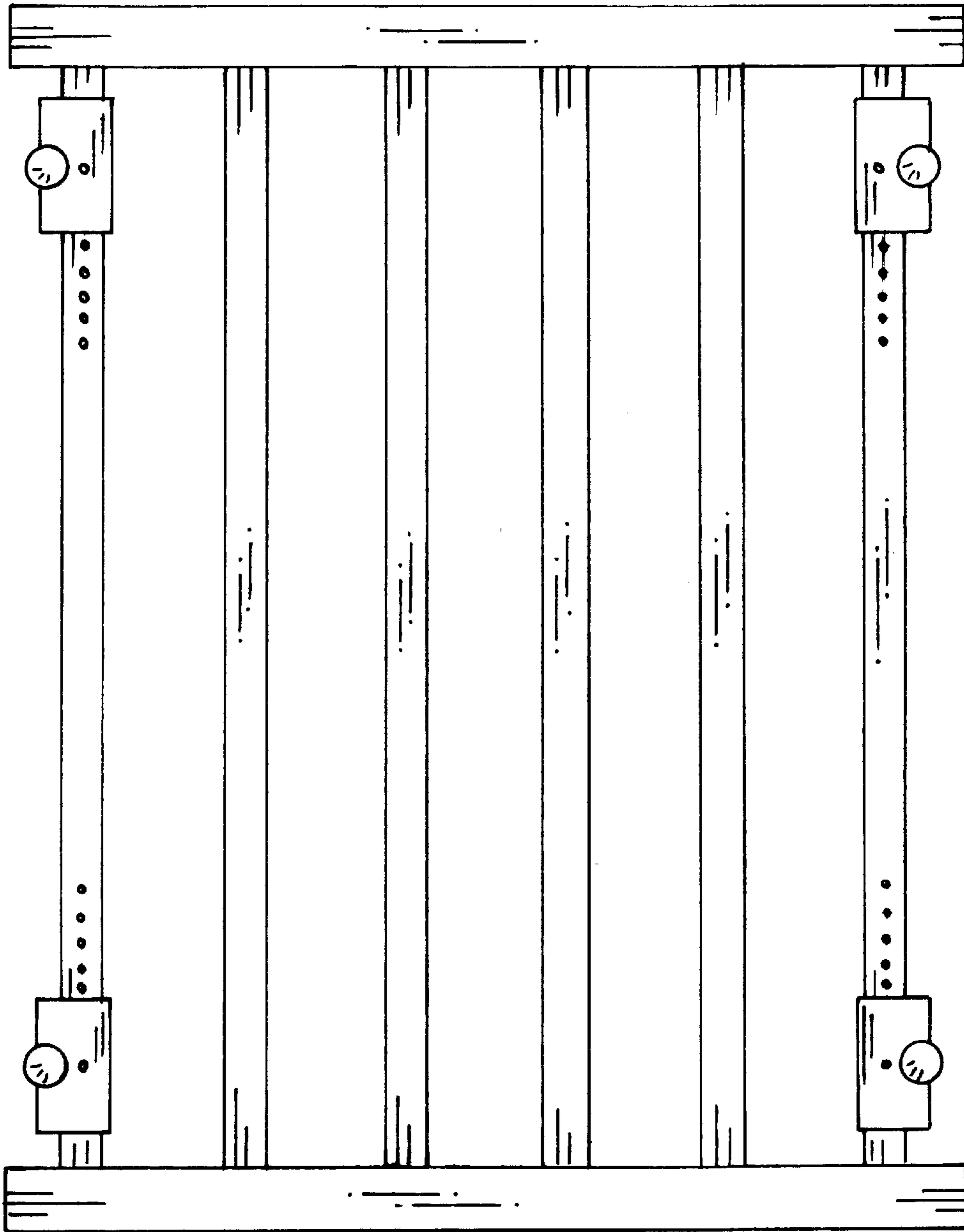


Fig. 5