



US00D454328S

(12) **United States Design Patent**  
**Cornelius**

(10) **Patent No.:** **US D454,328 S**

(45) **Date of Patent:** **\*\* Mar. 12, 2002**

(54) **SOFT TOP CAMPER SHELL FOR PICKUP TRUCKS WITH ROOF RACK**

**DESCRIPTION**

(76) **Inventor:** **Charles Sumner Cornelius**, 769 N. Michigan Ave., Pasadena, CA (US) 91104

(\*\*) **Term:** **14 Years**

(21) **Appl. No.:** **29/125,233**

(22) **Filed:** **Jun. 21, 2000**

(51) **LOC (7) Cl.** ..... **12-06**

(52) **U.S. Cl.** ..... **D12/404**

(58) **Field of Search** ..... D12/401, 403-405; 296/10, 99.1, 100, 105-108, 156, 164-165, 175, 185-186, 103, 220-222; 224/401; 135/87, 88.01-88.09; 52/143

(56) **References Cited**

**U.S. PATENT DOCUMENTS**

D203,498 S	*	1/1966	Young et al.	.....	D12/401
D310,503 S	*	9/1990	Moore	.....	D12/401
D318,446 S	*	7/1991	Magyar et al.	.....	D12/401
D333,646 S	*	3/1993	Levy	.....	D12/401
D340,689 S	*	10/1993	Wolcott et al.	.....	D12/401
D342,707 S	*	12/1993	Fields	.....	D12/401
D352,690 S	*	11/1994	Schorr	.....	D12/403
D382,247 S	*	8/1997	Lindberg	.....	D12/403
D382,248 S	*	8/1997	Long	.....	D12/403
D428,595 S	*	7/2000	Salinas	.....	D12/404
6,155,279 A	*	12/2000	Humphrey	.....	135/87
D438,168 S	*	2/2001	Schroeder et al.	.....	D12/404
D444,445 S	*	7/2001	Schroeder	.....	D12/404

\* cited by examiner

*Primary Examiner*—Stacia Cadmus

(74) *Attorney, Agent, or Firm*—Christie, Parker & Hale, LLP

(57) **CLAIM**

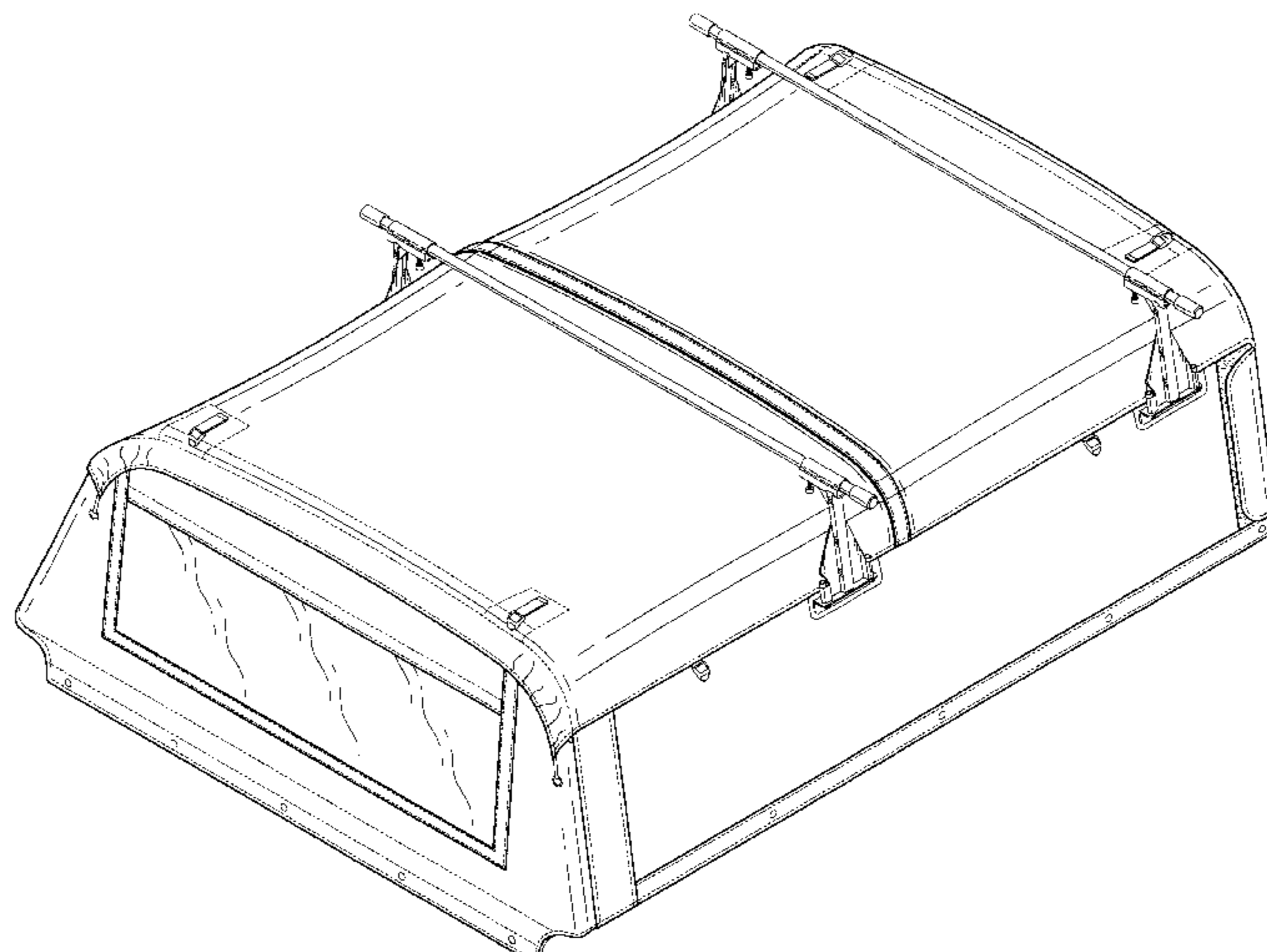
The ornamental design for soft top camper shell for pickup trucks with roof rack, as shown and described.

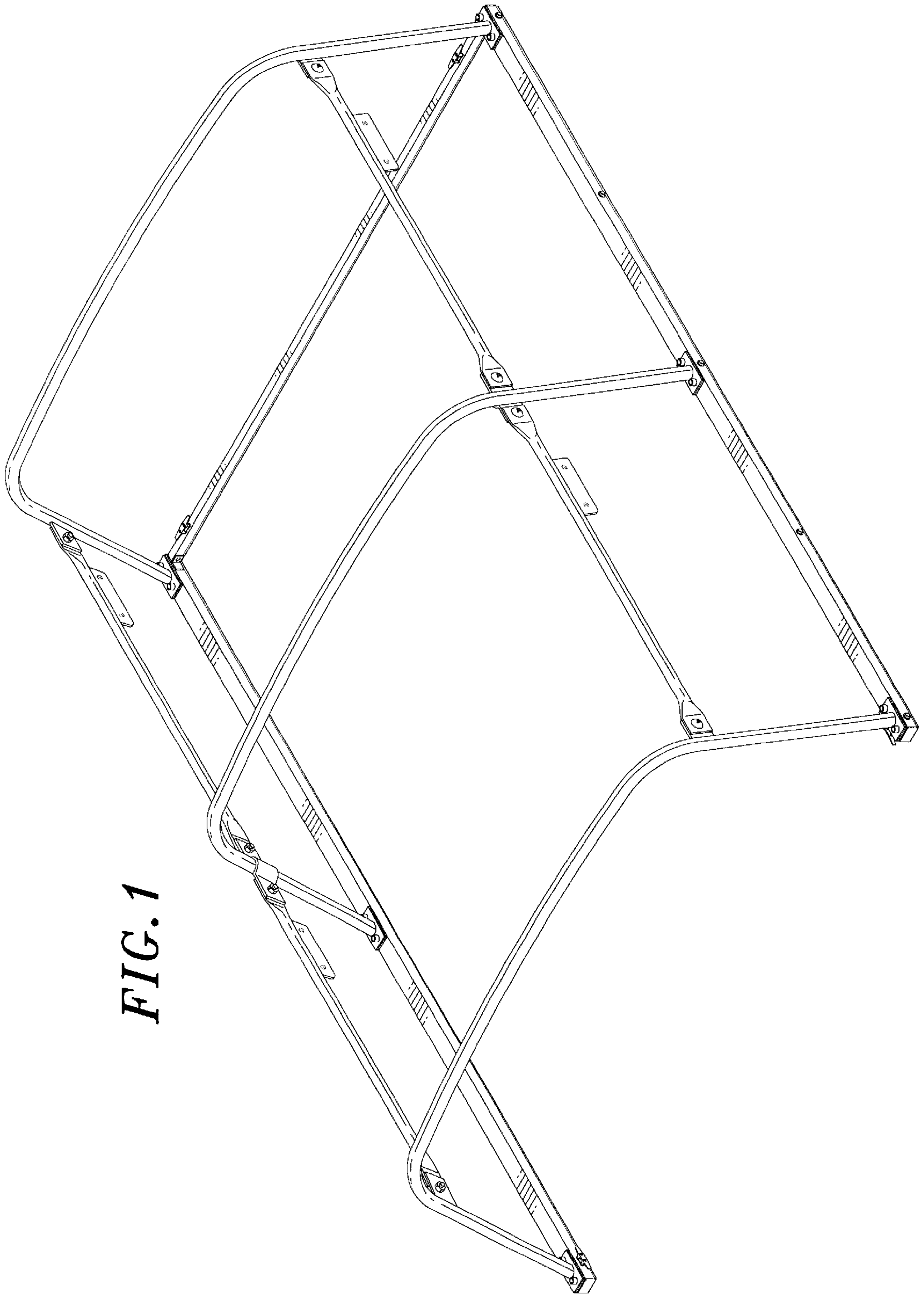
FIG. 1 is a perspective view of the skeletal body of the soft top camper shell of the present invention;  
 FIG. 2 is a rear view of the skeletal body of the soft top camper shell of the present invention;  
 FIG. 3 is a front view of the skeletal body of the soft top camper shell of the present invention;  
 FIG. 4 is a side view of the skeletal body of the soft top camper shell of the present invention;  
 FIG. 5 is a front plan view of the skeletal body of the soft top camper shell of the present invention;  
 FIG. 6 is a perspective view of the soft top camper shell of the present invention with the cover on the skeletal body;  
 FIG. 7 is a rear view of the soft top camper shell of the present invention with the cover on the skeletal body;  
 FIG. 8 is a front view of the soft top camper shell of the present invention with the cover on the skeletal body;  
 FIG. 9 is a side view of the soft top camper shell of the present invention with the cover on the skeletal body;  
 FIG. 10 is a top plan view of the soft top camper shell of the present invention with the cover on the skeletal body;  
 FIG. 11 is a perspective view of the soft top camper shell of the present invention with the roof rack attached;  
 FIG. 12 is a rear view of the soft top camper shell of the present invention with the roof rack attached;  
 FIG. 13 is a front view of the soft top camper shell of the present invention with the roof rack attached;  
 FIG. 14 is a side view of the soft top camper shell of the present invention with the roof rack attached; and,  
 FIG. 15 is a top plan view of the soft top camper shell of the present invention with the roof rack attached.

The dashed lines on the soft top in FIGS. 6-15 are understood to represent stitching.

The shell in FIGS. 1-5 and the soft top in FIGS. 6-10 have been shown separately from the soft top camper shell for pickup trucks with roof racks in FIGS. 11-15 for ease of illustration.

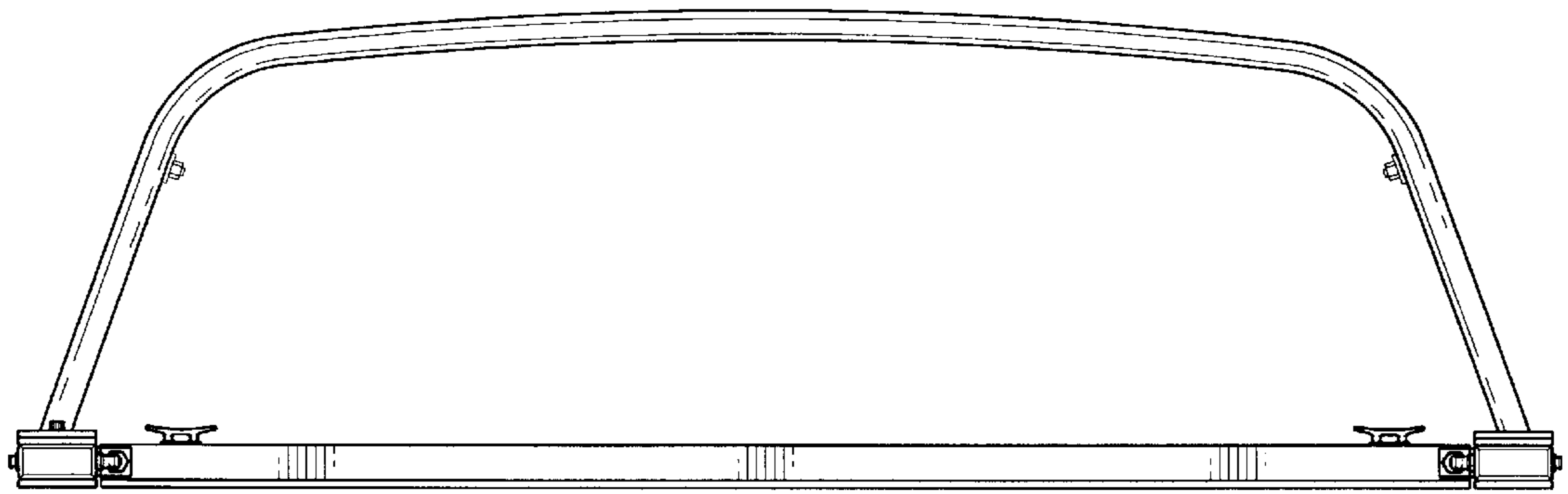
**1 Claim, 12 Drawing Sheets**



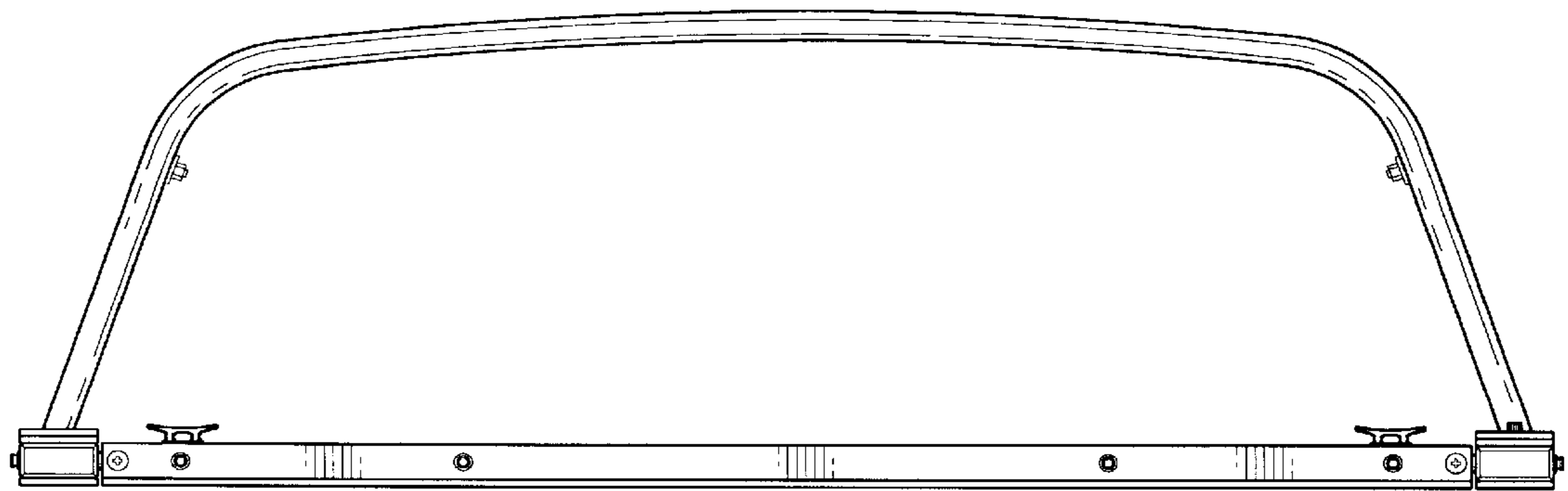


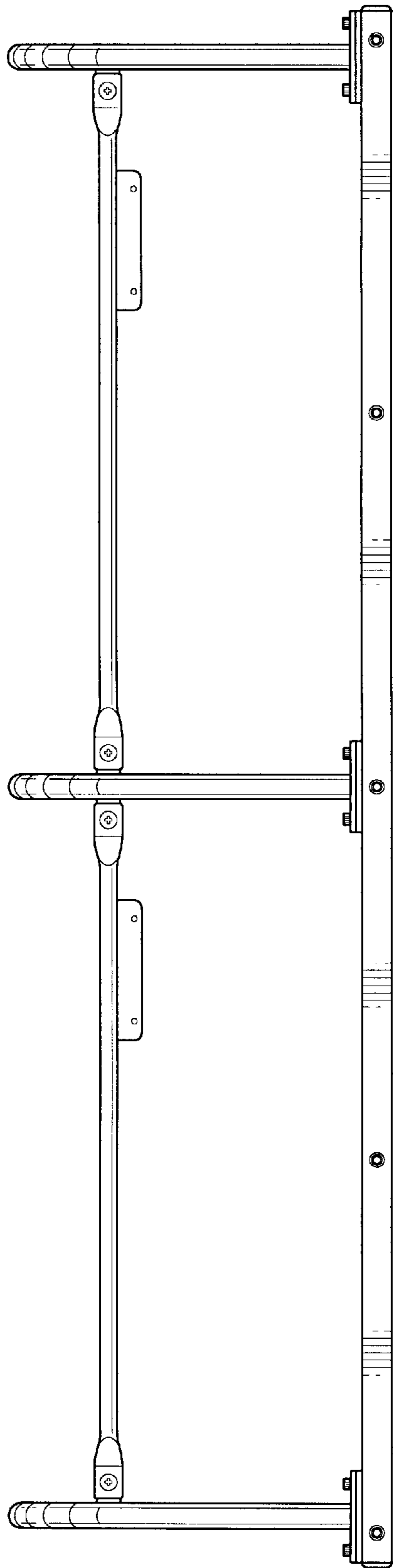
*FIG. 1*

*FIG. 2*



*FIG. 3*





*FIG. 4*

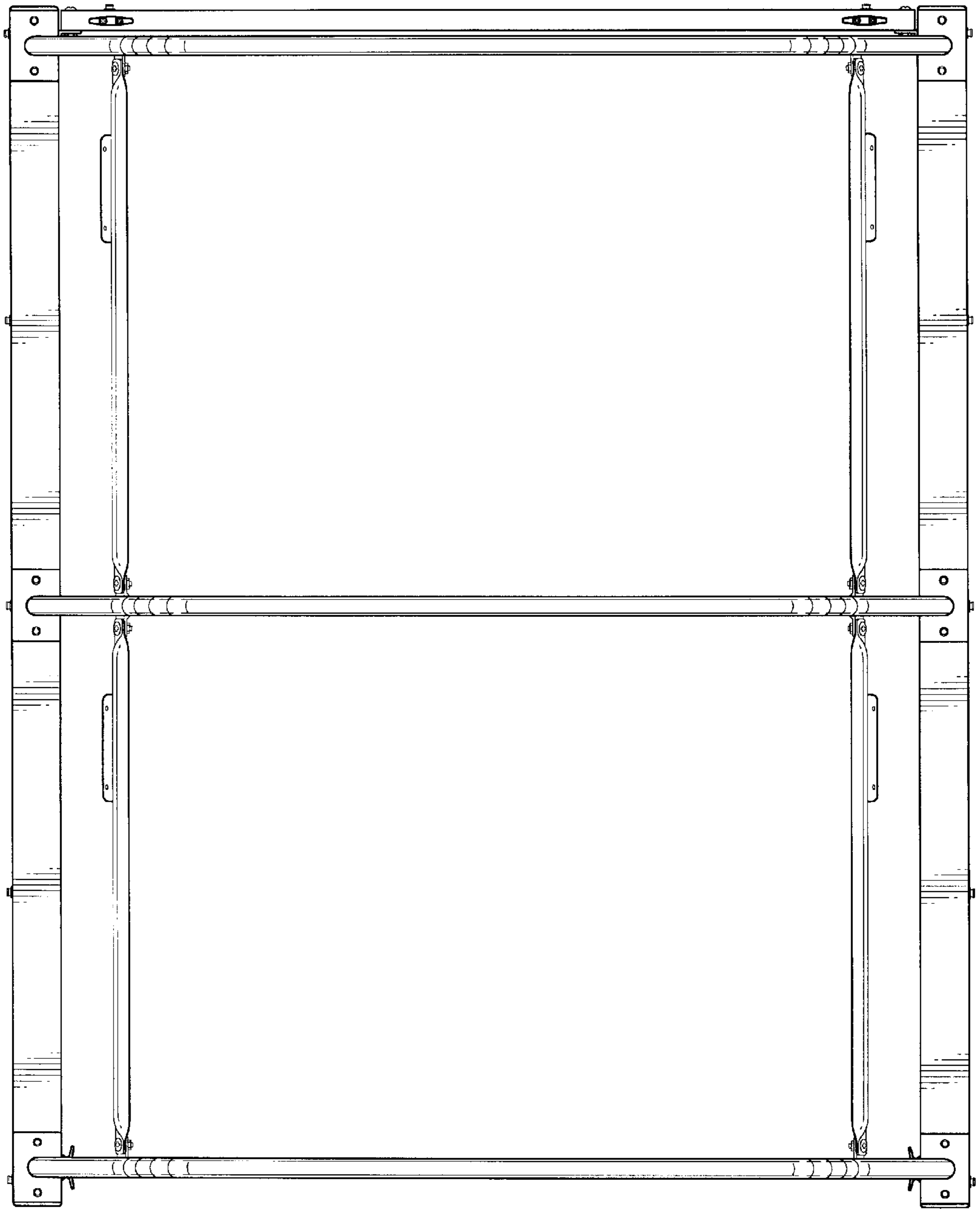
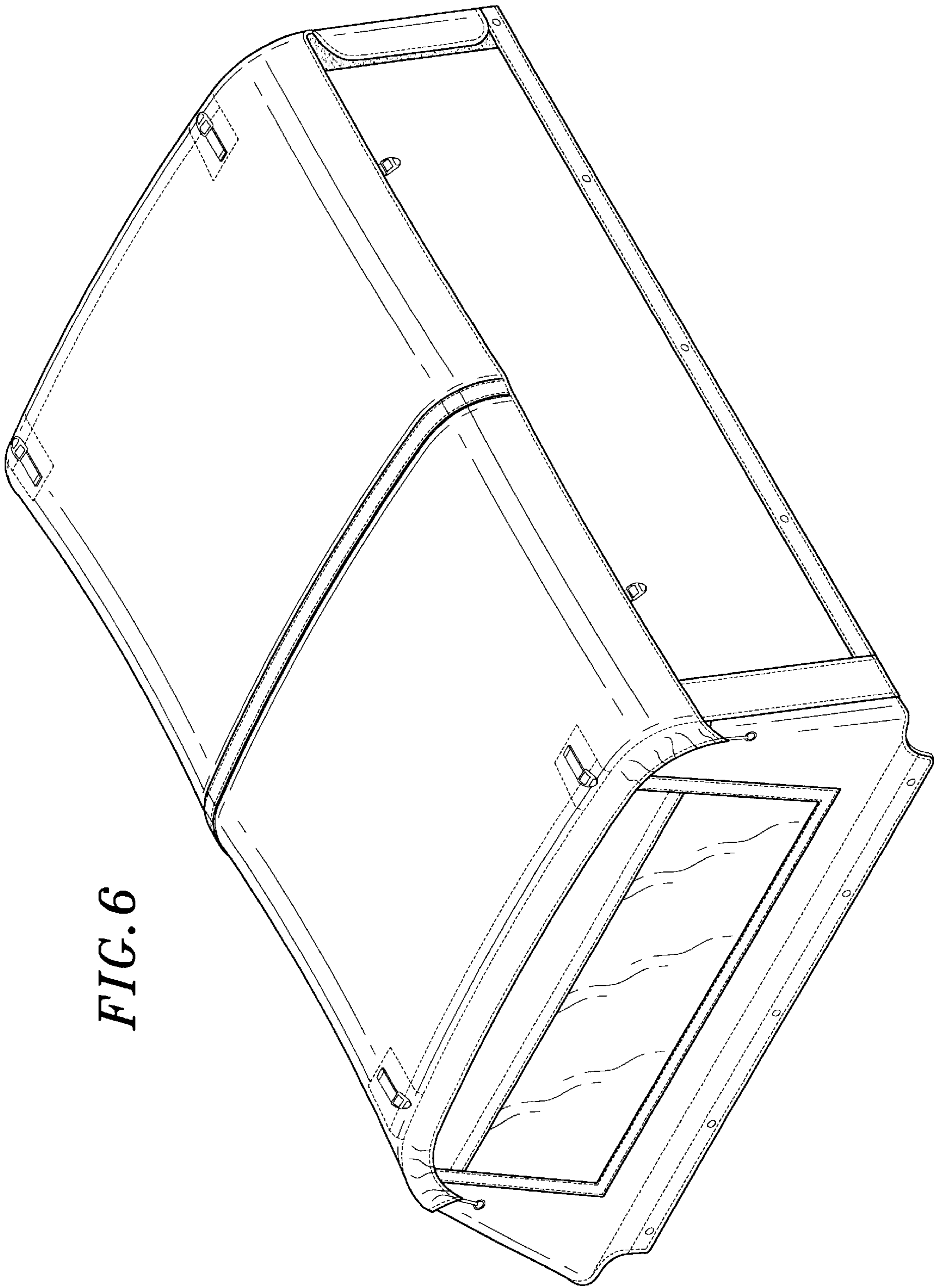
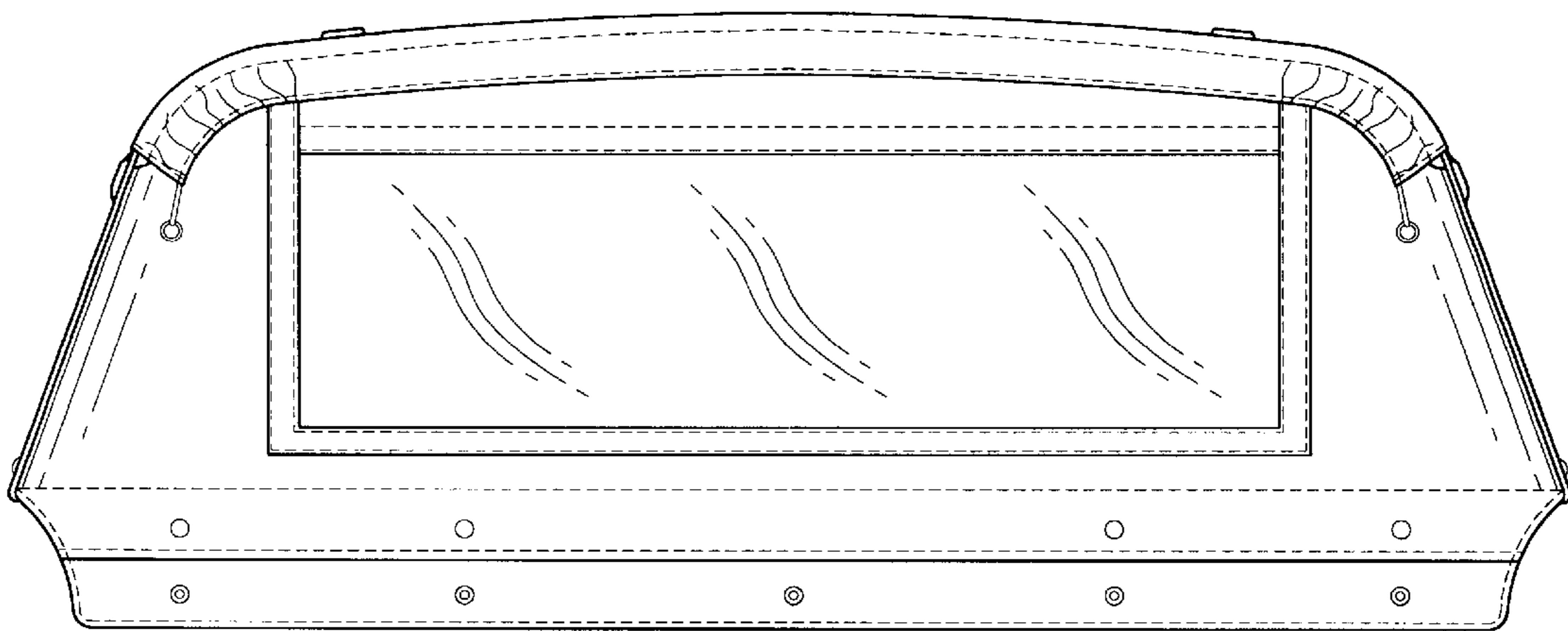


FIG. 5

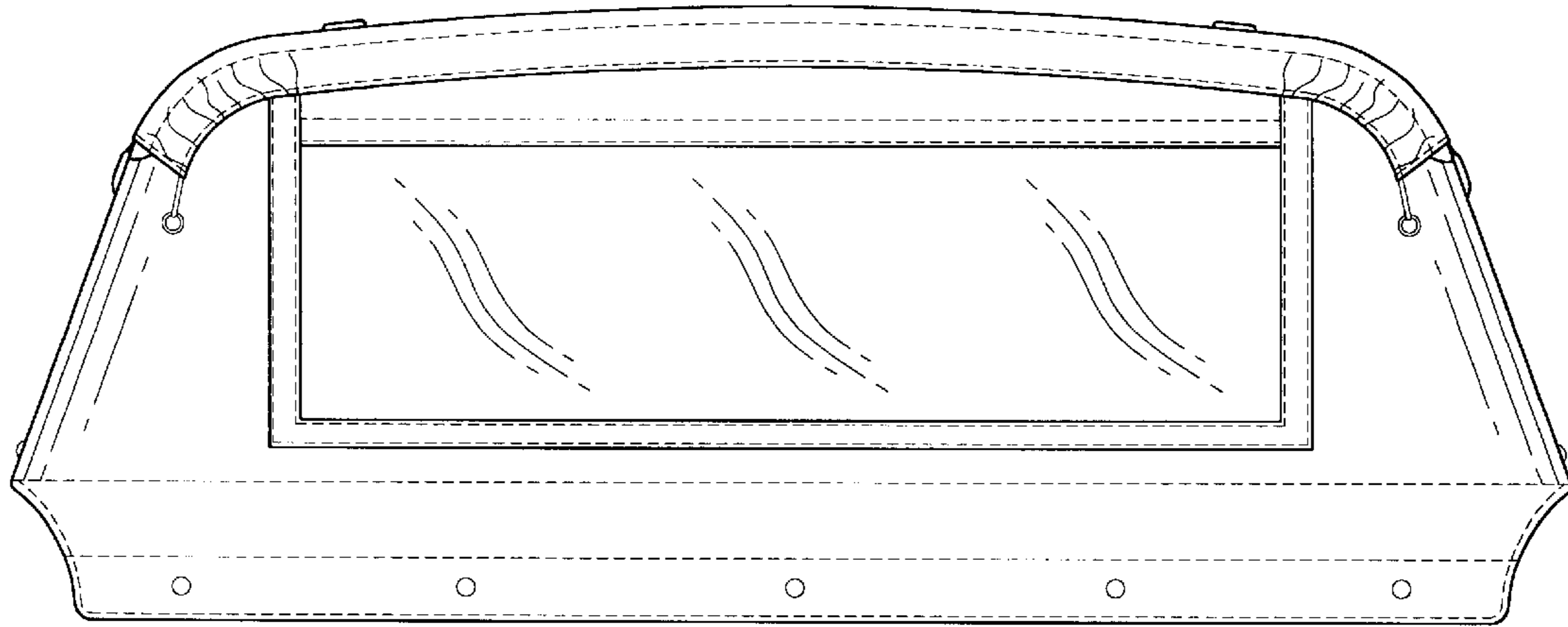


*FIG. 6*

*FIG. 7*



*FIG. 8*



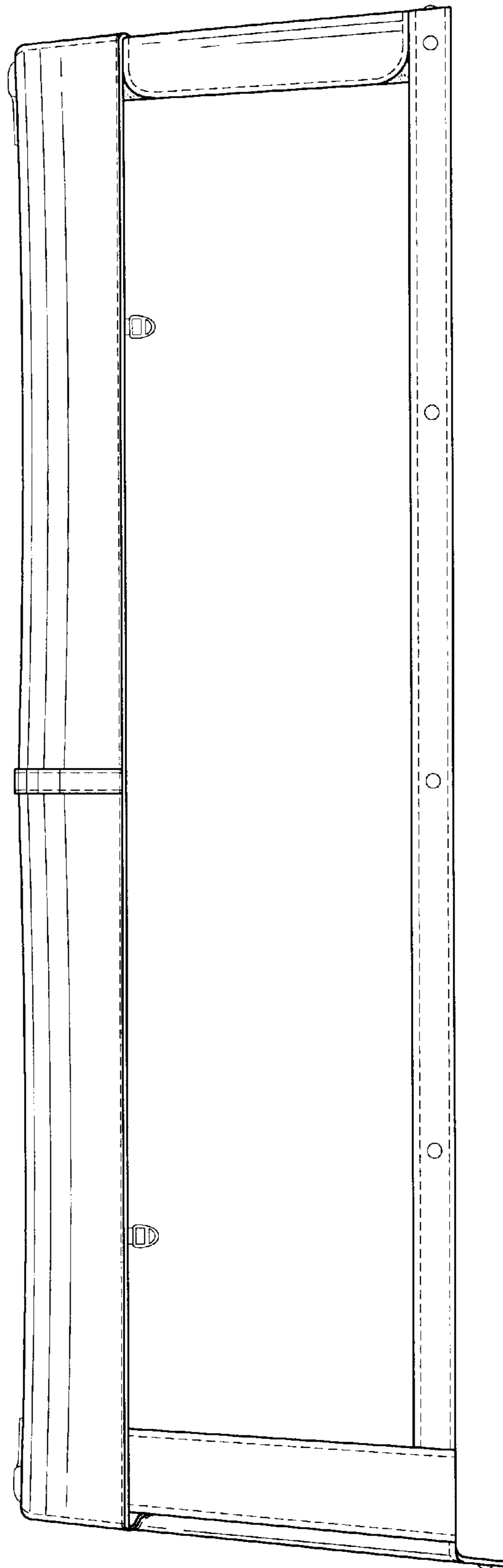


FIG. 9



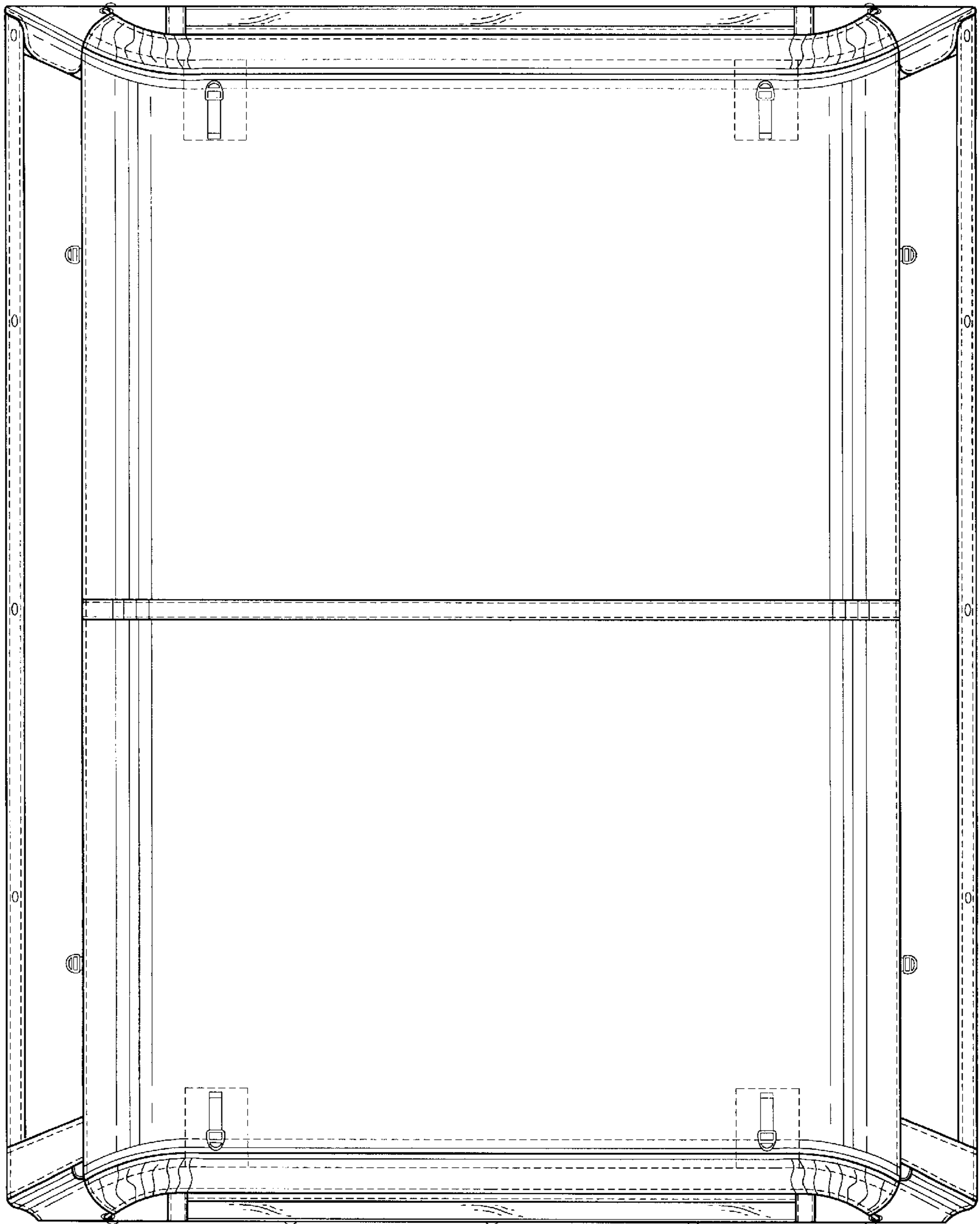
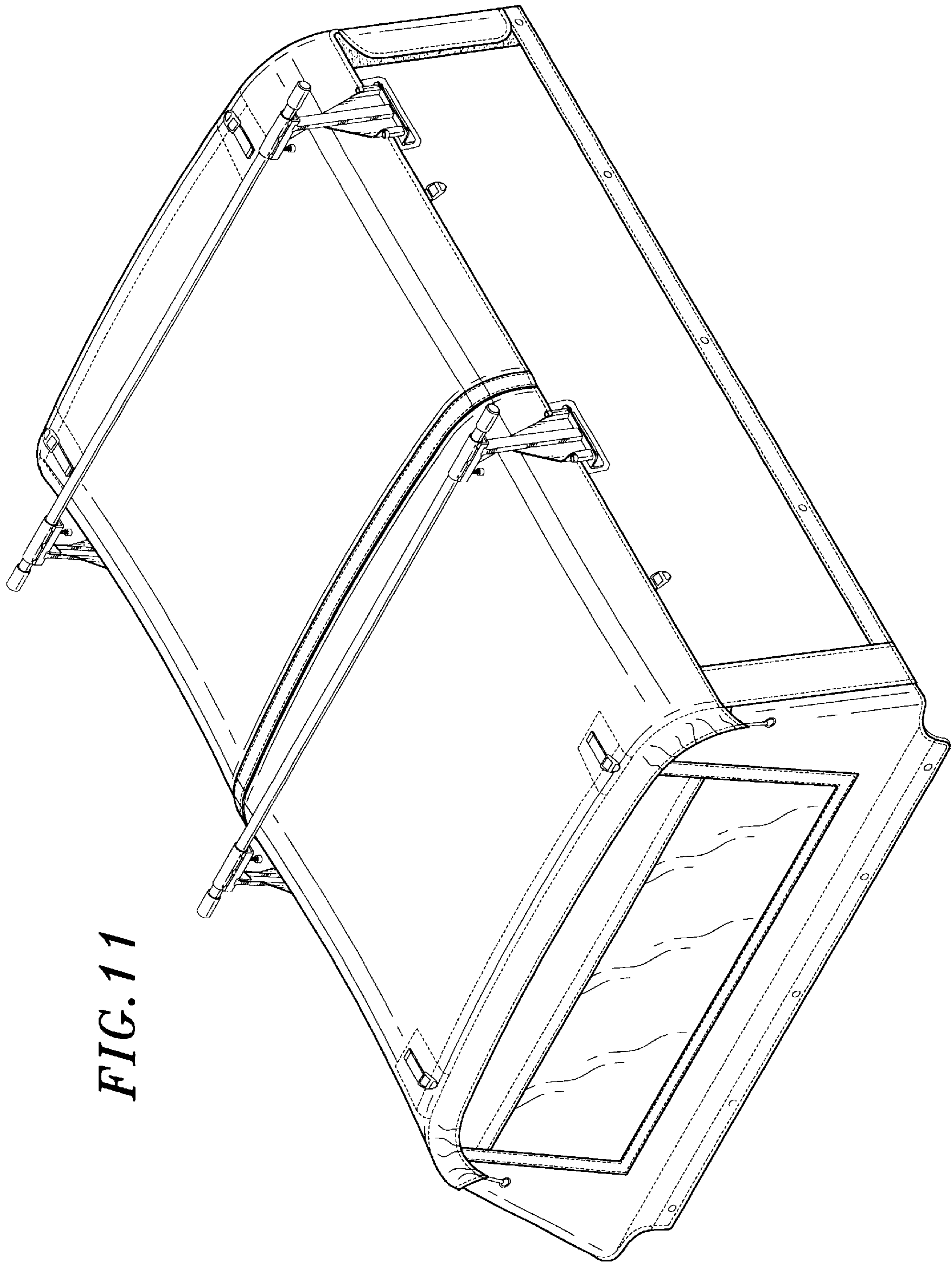
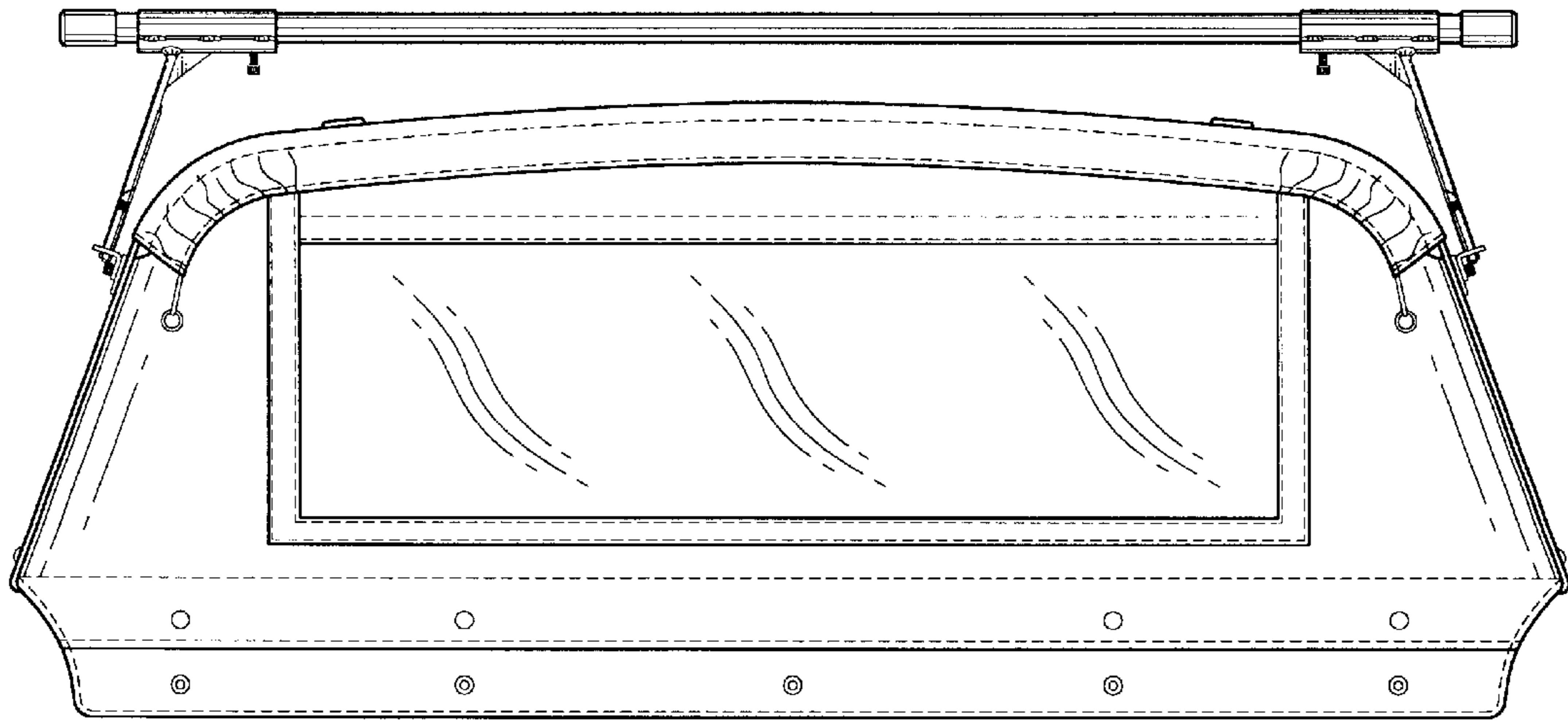


FIG. 10

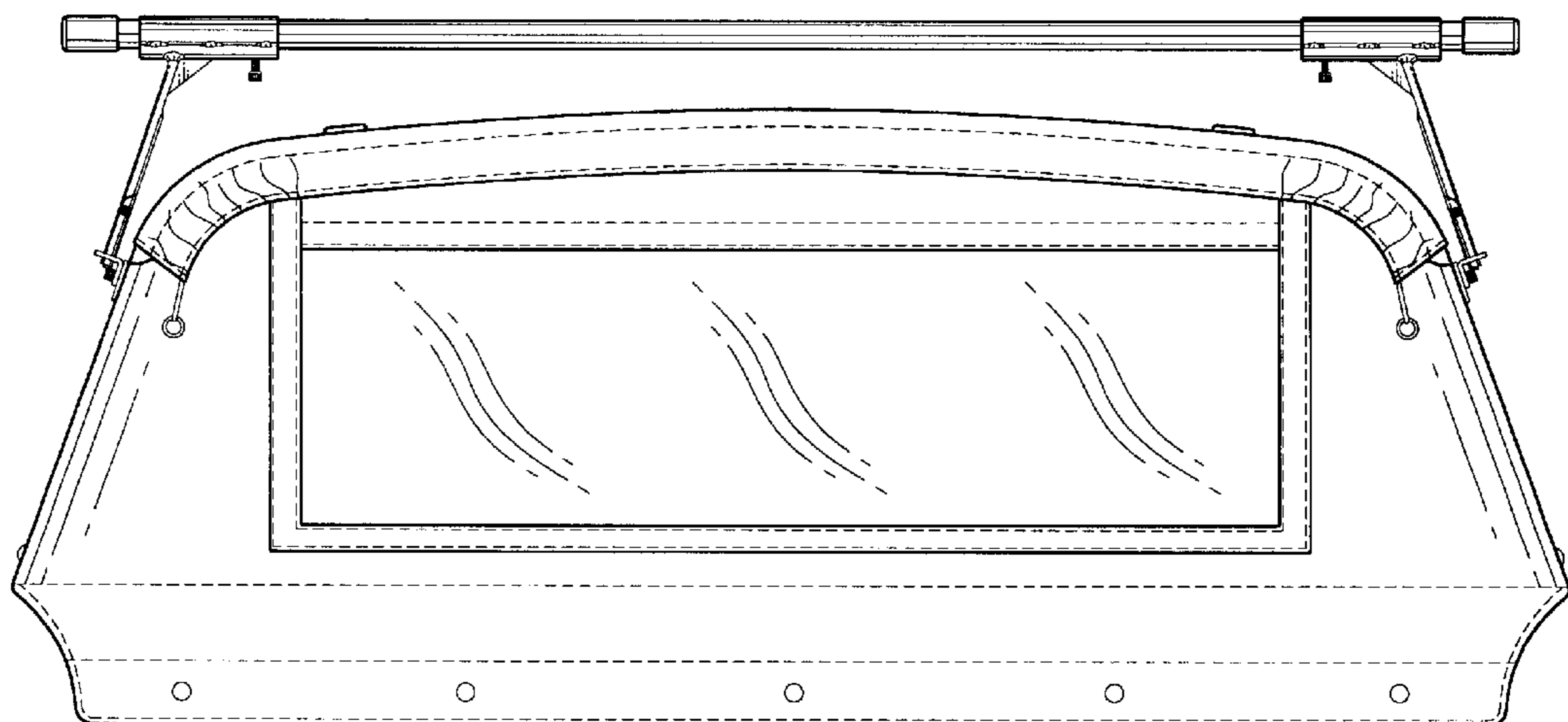


**FIG. 11**

*FIG. 12*



*FIG. 13*



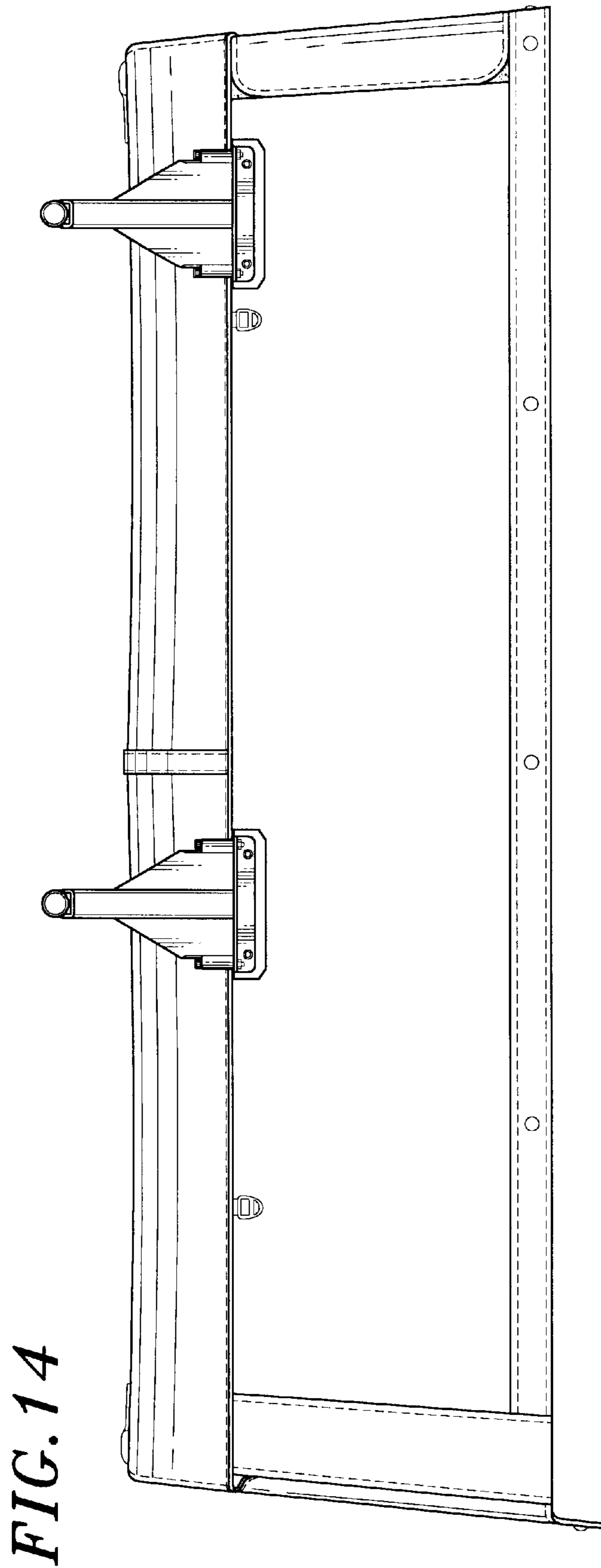


FIG. 14

FIG. 15

