



US00D454319S

(12) **United States Design Patent** (10) **Patent No.:** **US D454,319 S**  
**Ito** (45) **Date of Patent:** **\*\* Mar. 12, 2002**

(54) **STRETCHER WHEELCHAIR**

(75) Inventor: **Tsunetaro Ito**, Nagano (JP)

(73) Assignee: **Takano Co., Ltd.** (JP)

(\*\*) Term: **14 Years**

(21) Appl. No.: **29/121,584**

(22) Filed: **Apr. 10, 2000**

(30) **Foreign Application Priority Data**

Oct. 12, 1999 (JP) ..... 11-27807  
Feb. 25, 2000 (JP) ..... 2000-003873

(51) **LOC (7) Cl.** ..... **12-12**

(52) **U.S. Cl.** ..... **D12/131**

(58) **Field of Search** ..... D12/128-131;  
5/81.1, 83.1, 86.1, 428, 618, 620; 280/250.1;  
297/DIG. 4

(56) **References Cited**

**U.S. PATENT DOCUMENTS**

D311,509 S \* 10/1990 Failor et al. .... D12/131  
5,197,156 A \* 3/1993 Stryker et al. .... 5/428  
D351,576 S \* 10/1994 Brooks ..... D12/131  
D358,789 S \* 5/1995 Wheeler et al. .... D12/131  
D414,143 S \* 9/1999 Brotherston ..... D12/131

**OTHER PUBLICATIONS**

Japanese brochure dated Sep., 1989 featuring Model Nos. HS-13, HO-15, HO-70, LK-20D and LK30, 6 pages.

\* cited by examiner

*Primary Examiner*—Marcus A. Jackson

(74) *Attorney, Agent, or Firm*—Webb Ziesenheim Logsdon Orkin & Hanson, P.C.

(57) **CLAIM**

The ornamental design for a stretcher wheelchair, as shown and described.

**DESCRIPTION**

FIG. 1 is a perspective view of a stretcher wheelchair in a

state of a stretcher, showing my new design;  
FIG. 2 is a perspective view of a stretcher wheelchair in a state of a wheelchair;  
FIG. 3 is a top plan view of a stretcher wheelchair in a state of a stretcher;  
FIG. 4 is a front elevational view thereof;  
FIG. 5 is a rear elevational view thereof;  
FIG. 6 is a bottom plan view thereof;  
FIG. 7 is a right side elevational view thereof;  
FIG. 8 is a left side elevational view thereof;  
FIG. 9 is a top plan view thereof when its safety bars are raised;  
FIG. 10 is a front elevational view thereof when its safety bars are raised;  
FIG. 11 is a rear elevational view thereof when its safety bars are raised;  
FIG. 12 is a bottom plan view thereof when its safety bars are raised;  
FIG. 13 is a right side elevational view thereof when its safety bars are raised;  
FIG. 14 is a left side elevational view thereof when its safety bars are raised;  
FIG. 15 is a top plan view of a stretcher wheelchair in a state of a wheelchair;  
FIG. 16 is a front elevational view thereof;  
FIG. 17 is a rear elevational view thereof;  
FIG. 18 is a bottom plan view thereof;  
FIG. 19 is a right side elevational view thereof;  
FIG. 20 is a left side elevational view thereof;  
FIG. 21 is a perspective view of a stretcher wheelchair in a state of a stretcher; showing a second embodiment of my design;  
FIG. 22 is a perspective view of a stretcher wheelchair in a state of a wheelchair; showing a second embodiment;  
FIG. 23 is a front elevational view of a stretcher wheelchair in a state of a stretcher; showing a second embodiment;  
FIG. 24 is a rear elevational view thereof;  
FIG. 25 is a top plan view thereof;  
FIG. 26 is a bottom plan view thereof;  
FIG. 27 is a right side elevational view thereof;  
FIG. 28 is a left side elevational view thereof;  
FIG. 29 is a front elevational view of a stretcher wheelchair in a state of a wheelchair; showing a second embodiment;  
FIG. 30 is a rear elevational view thereof;

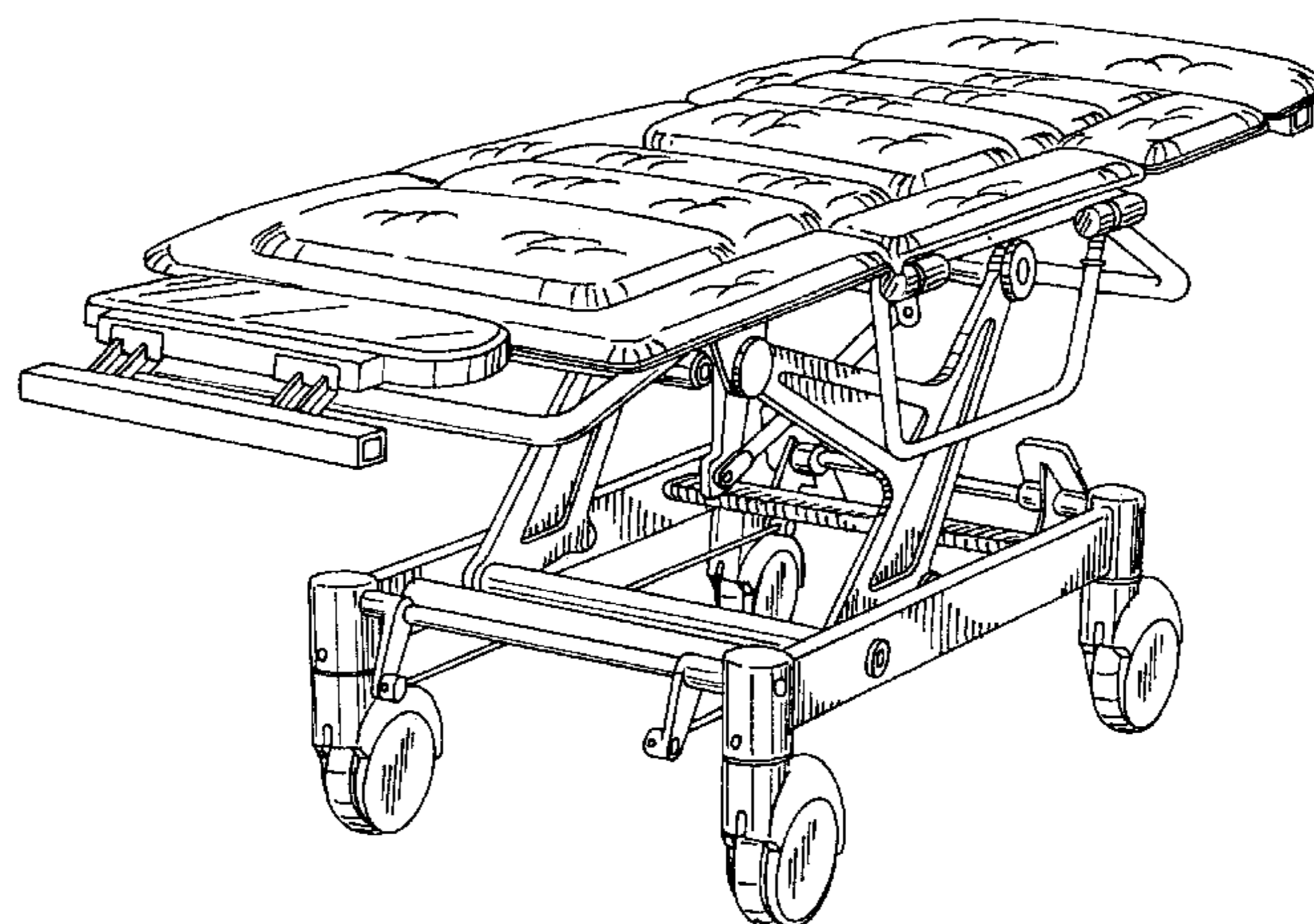


FIG. 31 is a top plan view thereof;  
FIG. 32 is a bottom plan view thereof;  
FIG. 33 is a right side elevational view thereof;  
FIG. 34 is a left side elevational view thereof;  
FIG. 35 is a front elevational view of a stretcher wheelchair in a state of a stretcher when its head-side levers and both safety bars are raised, showing a second embodiment;  
FIG. 36 is a rear elevational view thereof;  
FIG. 37 is a top plan view thereof;  
FIG. 38 is a bottom plan view thereof;  
FIG. 39 is a right side elevational view thereof;  
FIG. 40 is a left side elevational view thereof;  
FIG. 41 is a front elevational view of a stretcher wheelchair in a state of a stretcher when both safety bars are raised, showing a second embodiment;  
FIG. 42 is a rear elevational view thereof;

FIG. 43 is a top plan view thereof;  
FIG. 44 is a bottom plan view thereof;  
FIG. 45 is a right side elevational view thereof;  
FIG. 46 is a left side elevational view;  
FIG. 47 is a front elevational view of a stretcher wheelchair in a state of a stretcher when its right-side levers are raised, the right-side safety bars are raised and the right-side brackets are turned, showing a second embodiment;  
FIG. 48 is a rear elevational view thereof;  
FIG. 49 is a top plan view thereof;  
FIG. 50 is a bottom plan view thereof;  
FIG. 51 is a right side elevational view thereof; and,  
FIG. 52 is a left side elevational view thereof.

**1 Claim, 43 Drawing Sheets**

FIG. 1

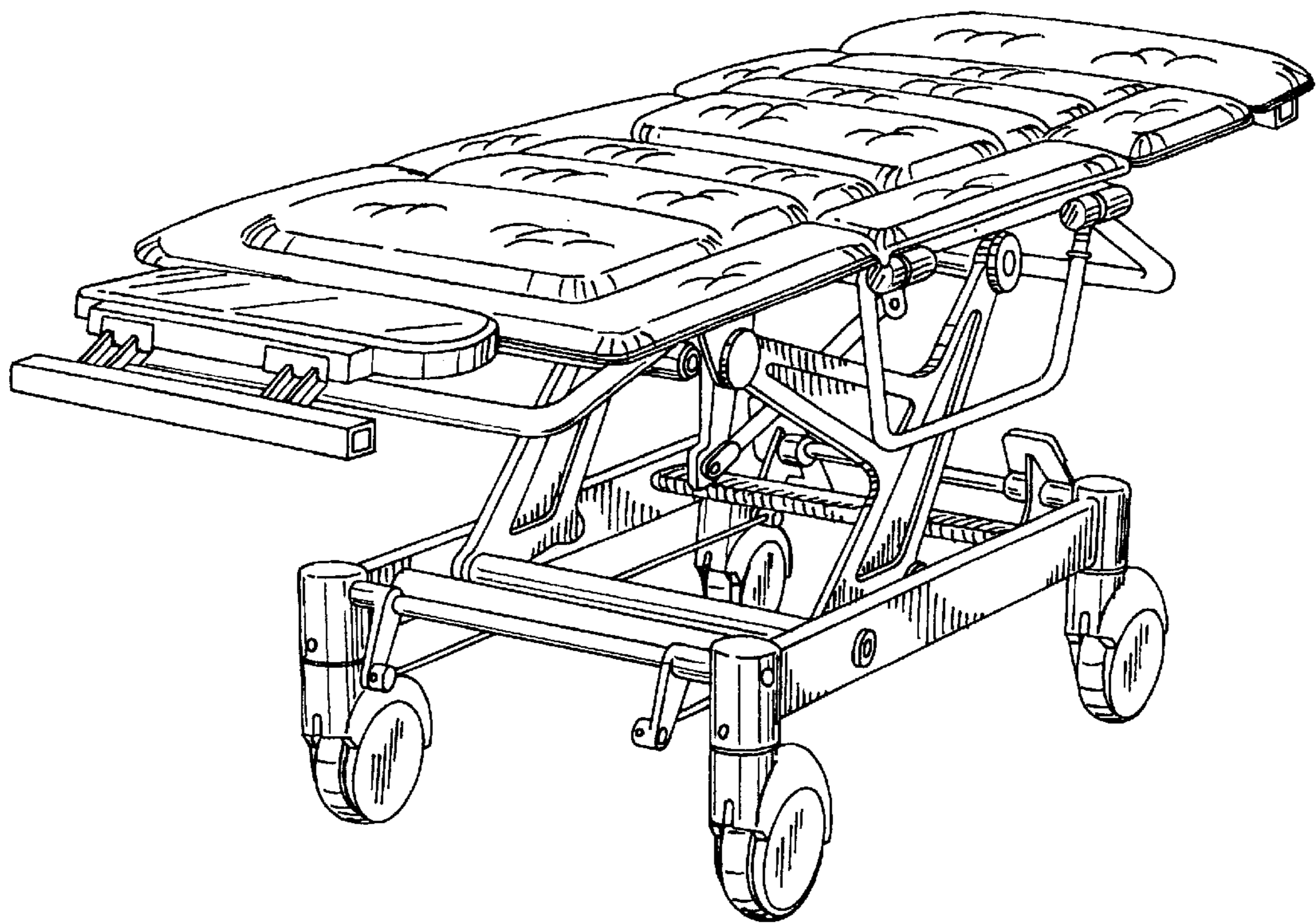


FIG. 2

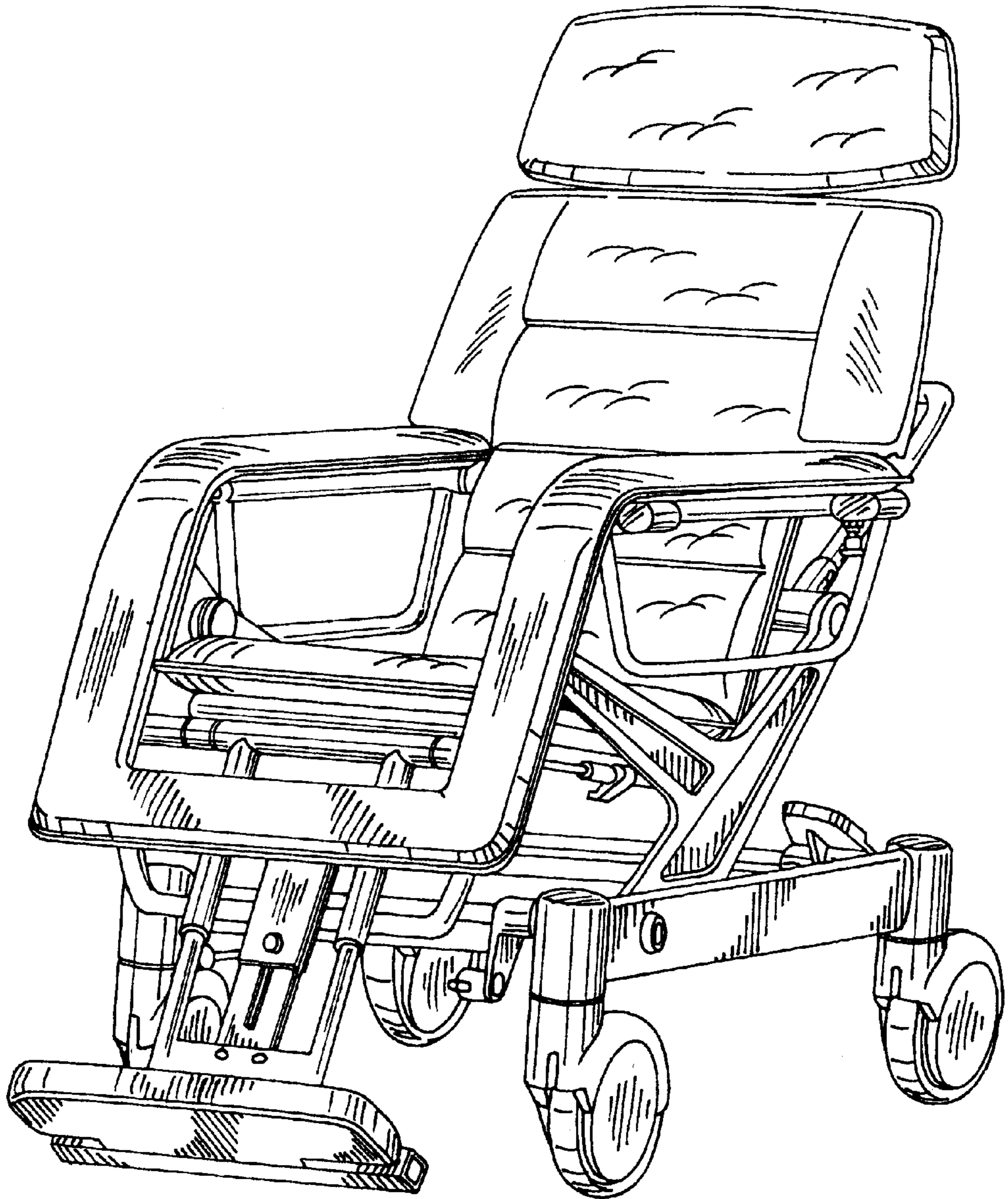


FIG. 3

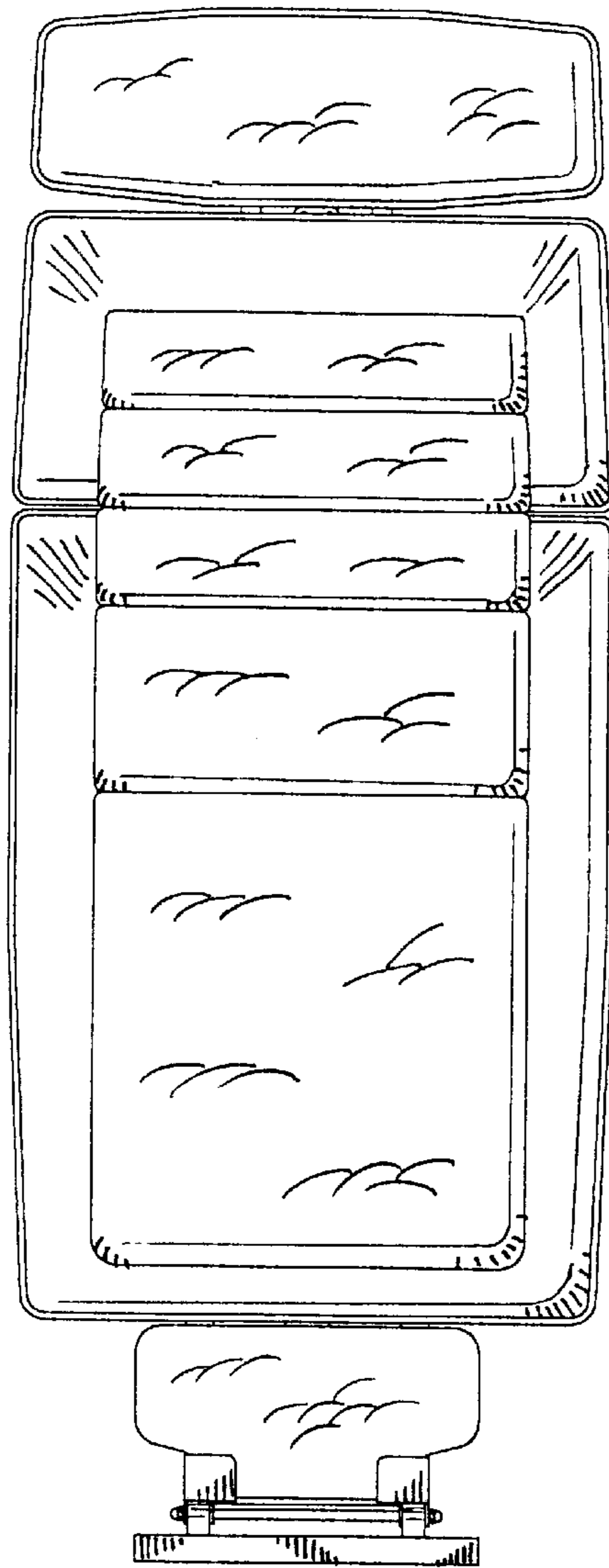


FIG. 4

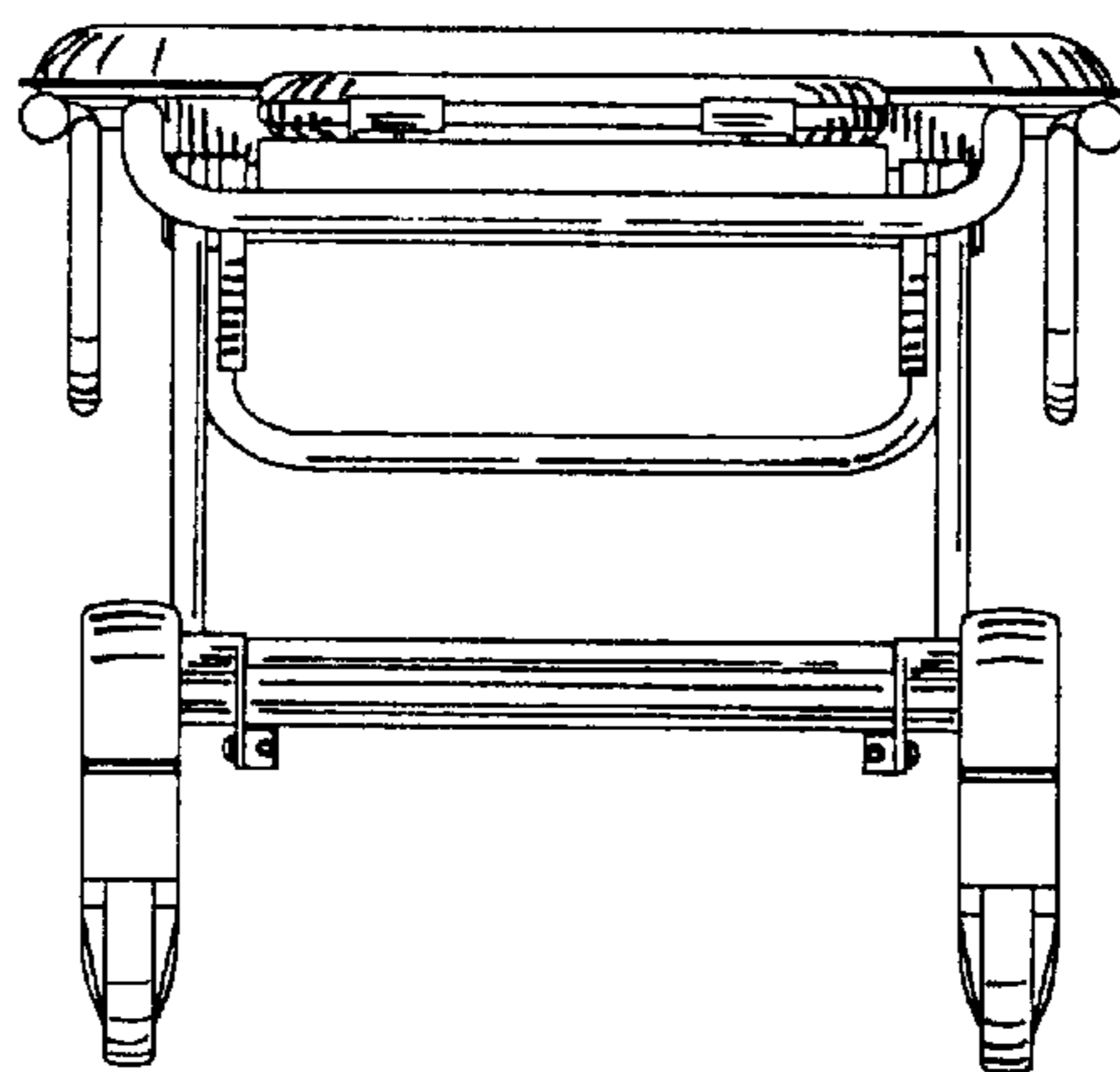


FIG. 5

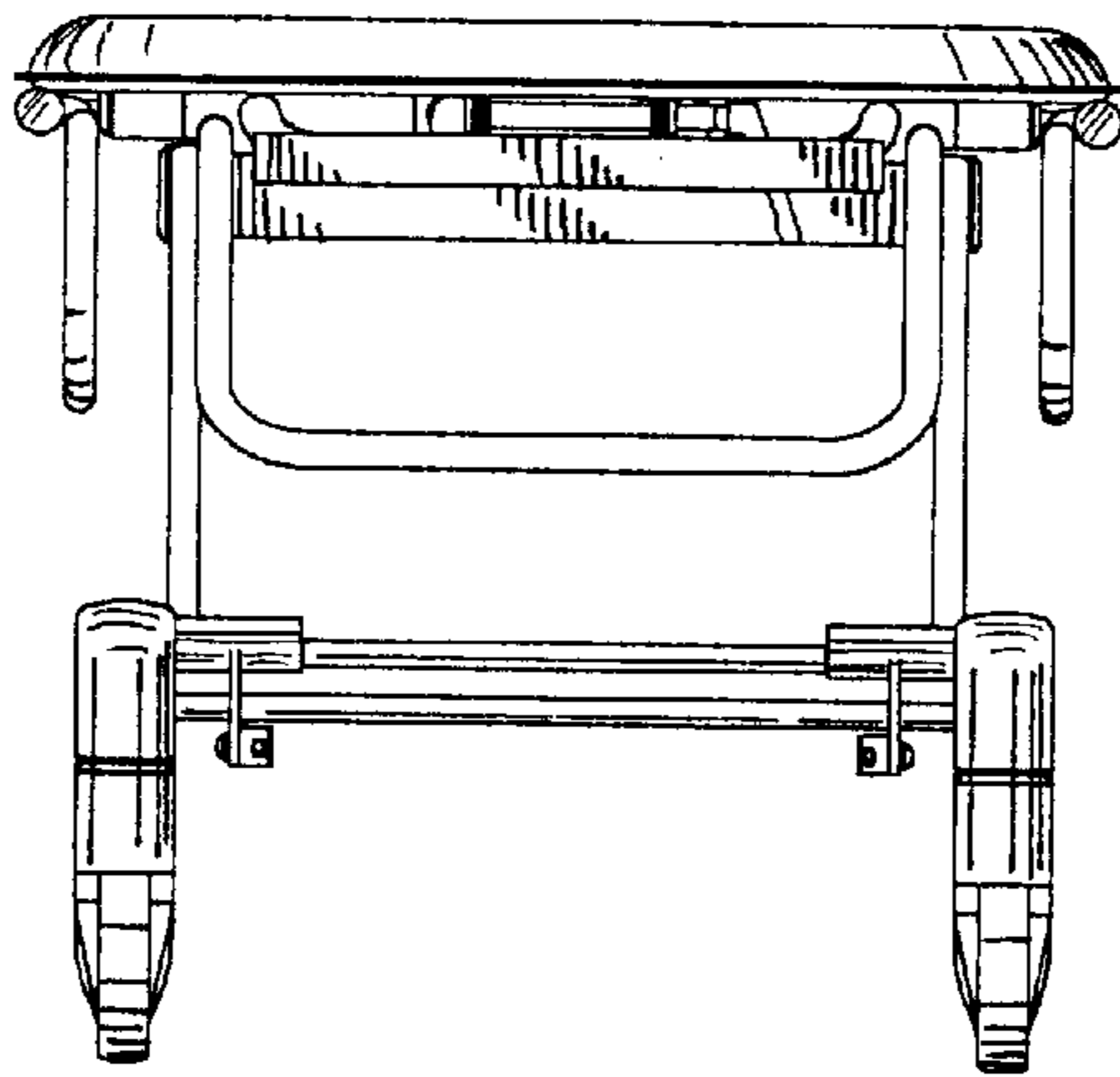


FIG. 6

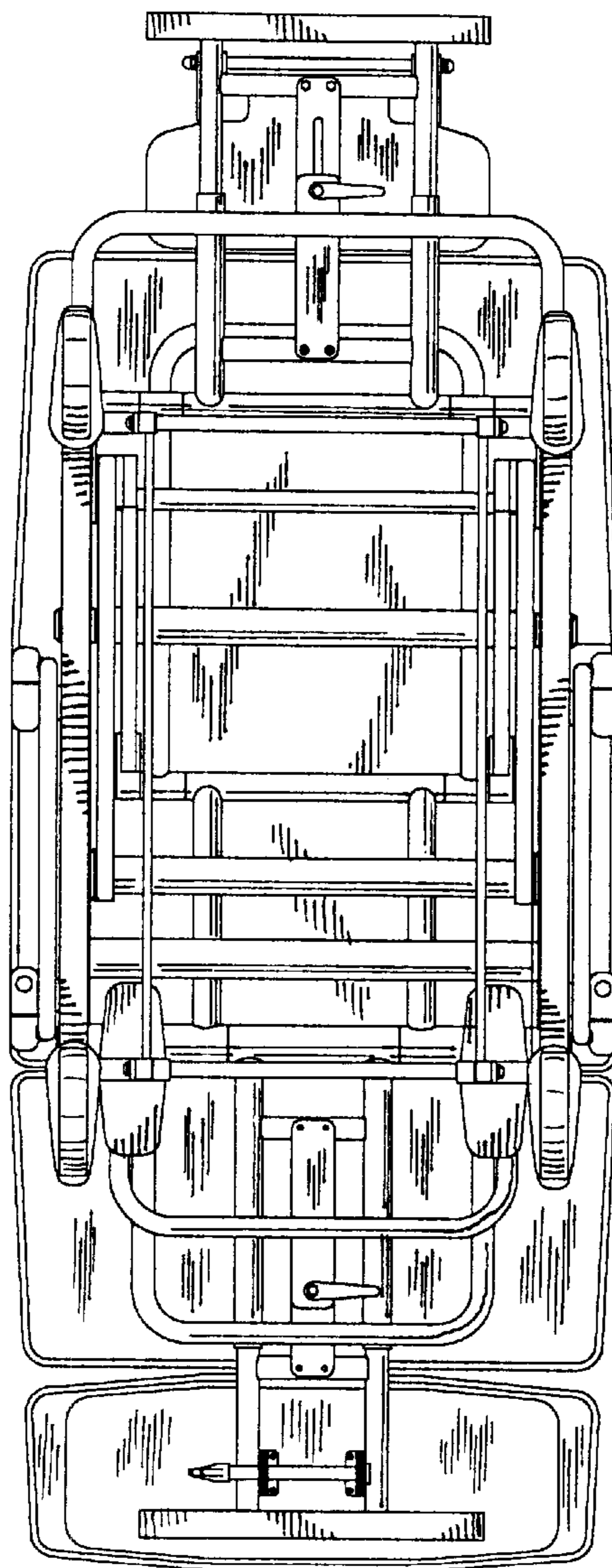


FIG. 7

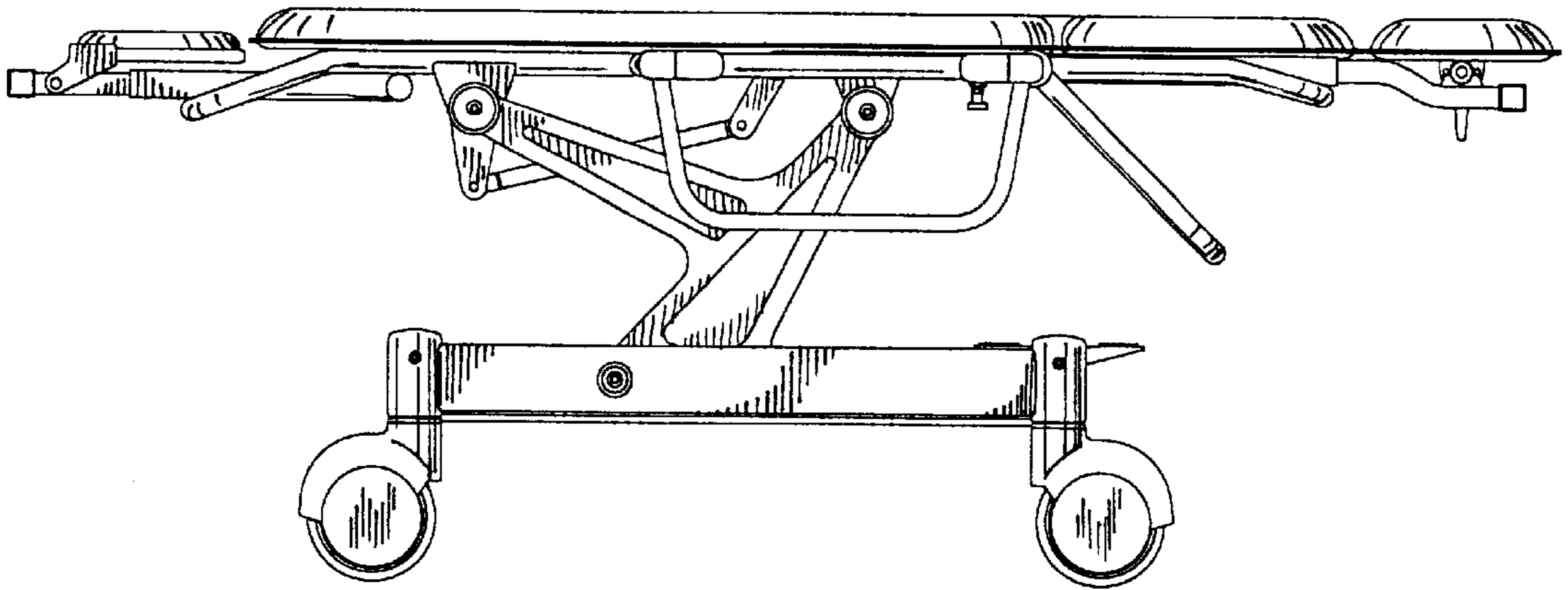


FIG. 8

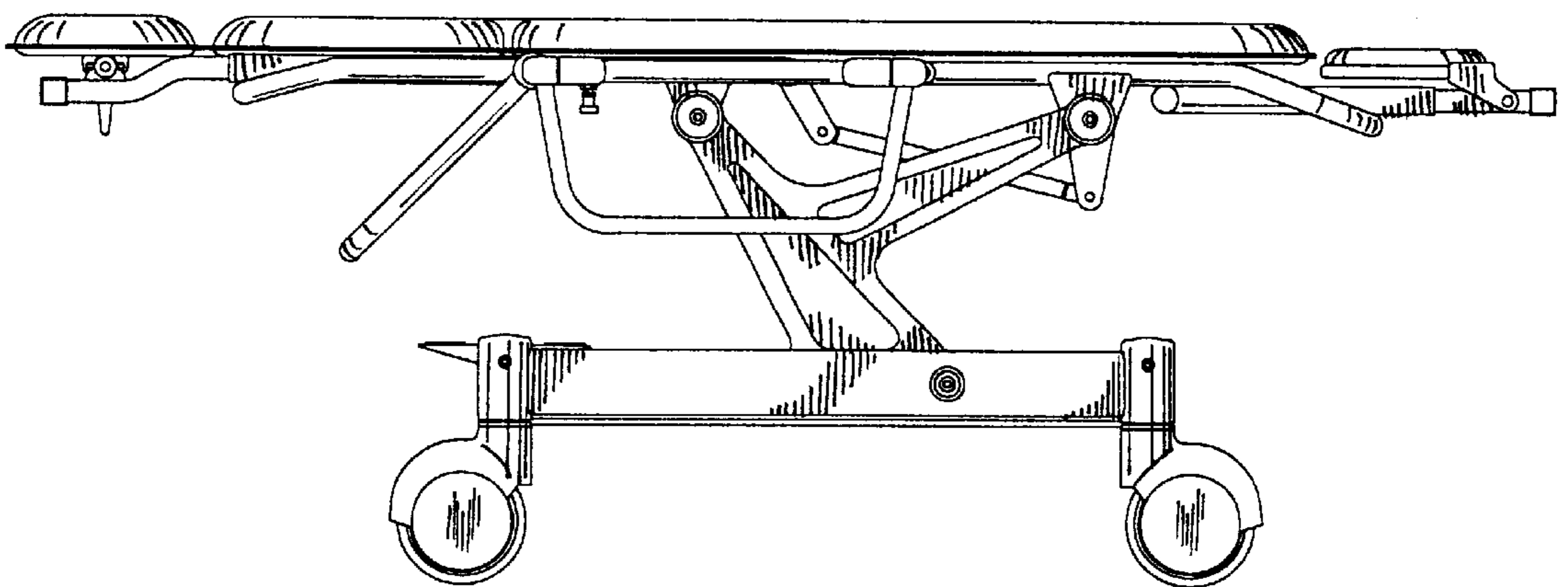


FIG. 9

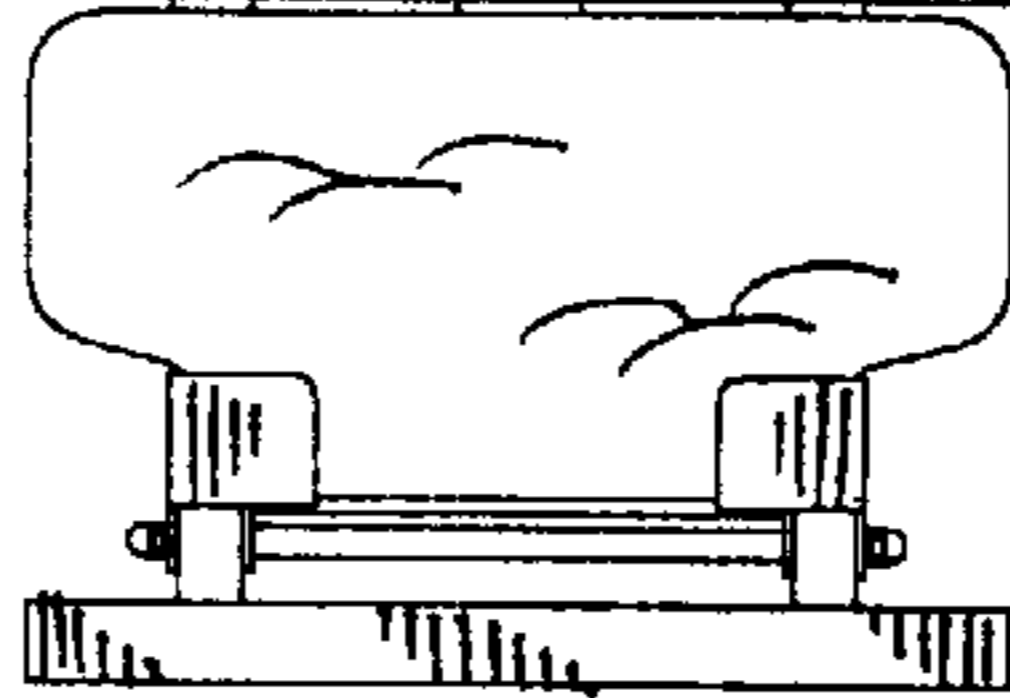
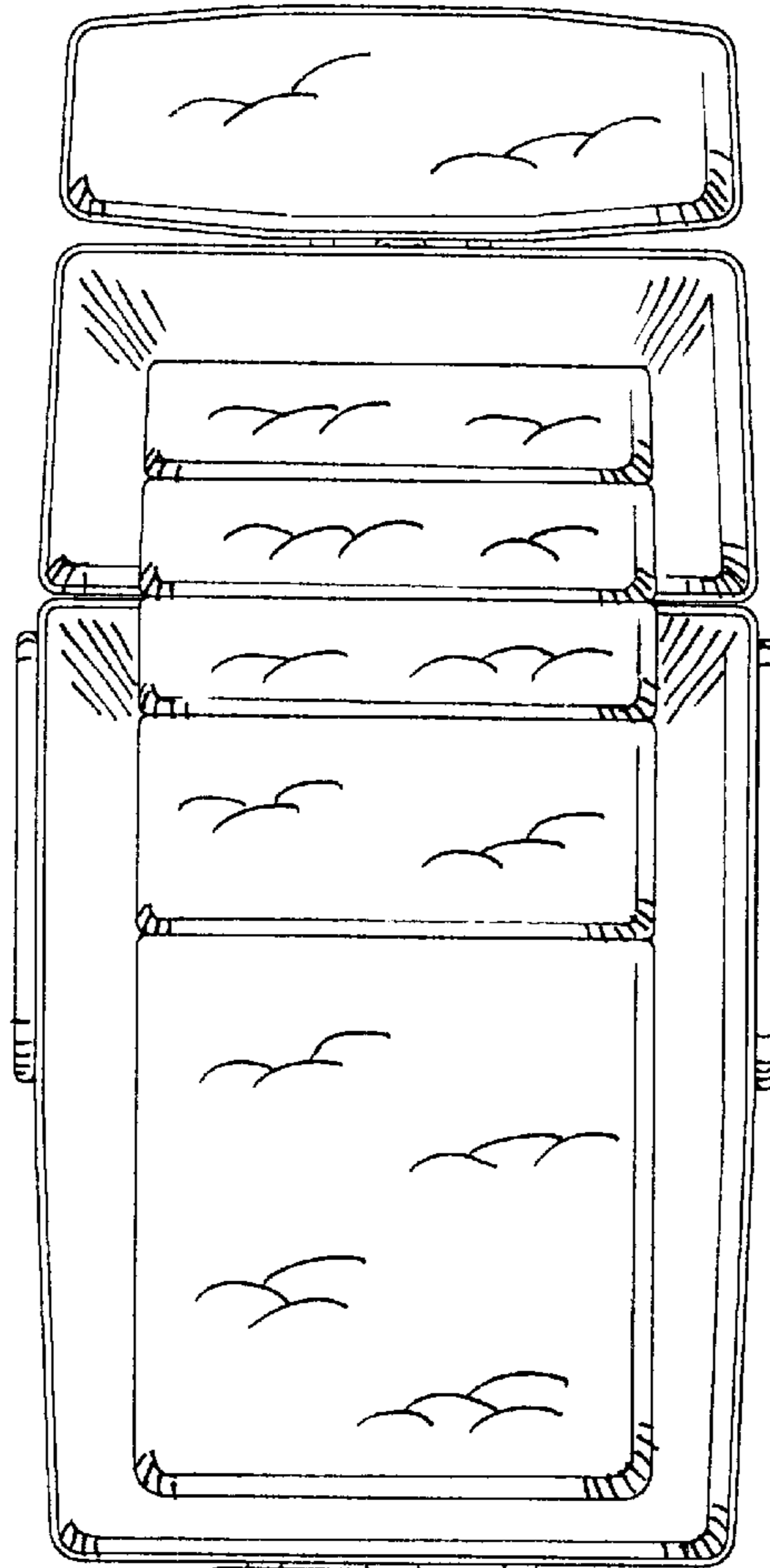


FIG. 10

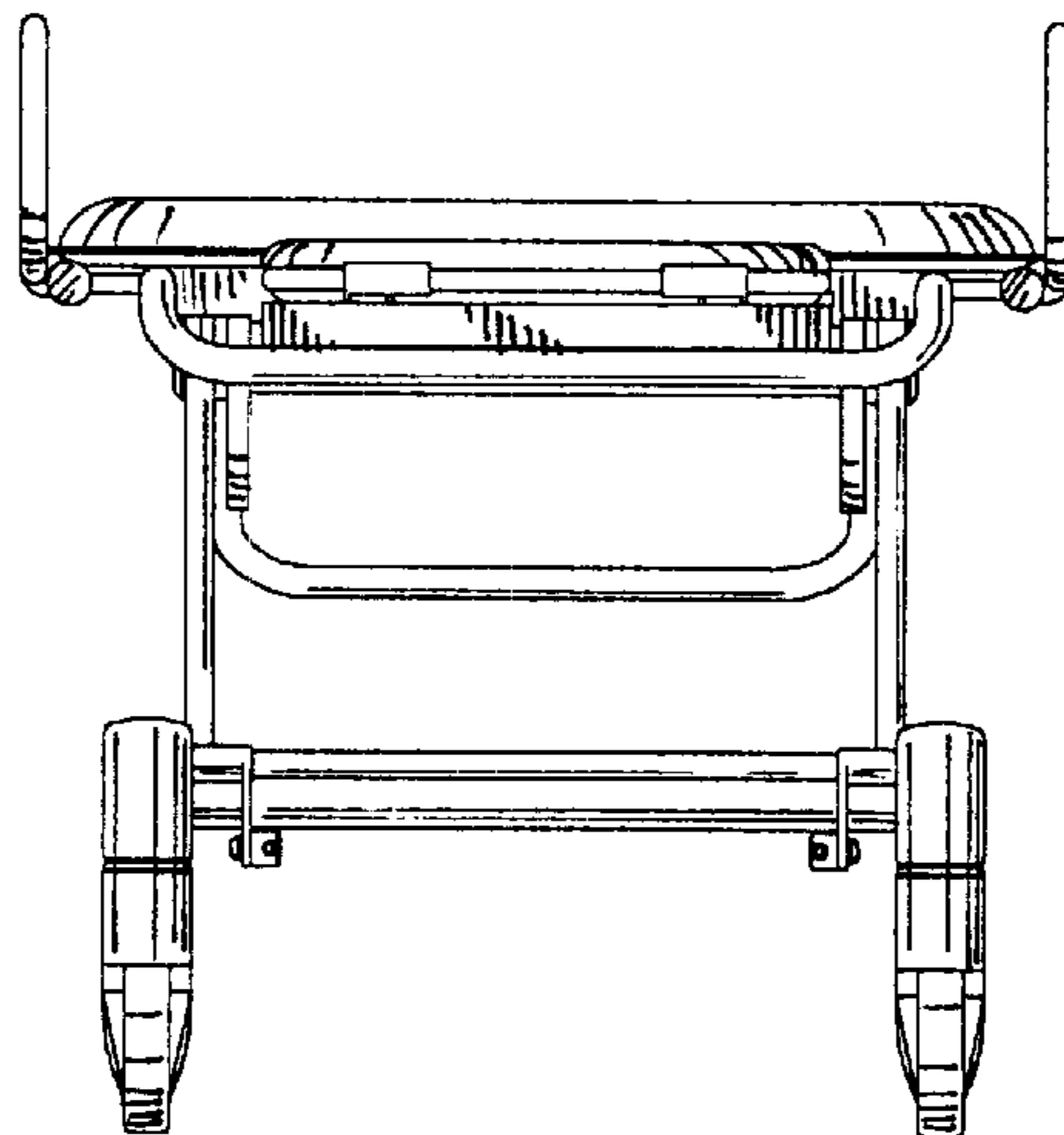




FIG. 11

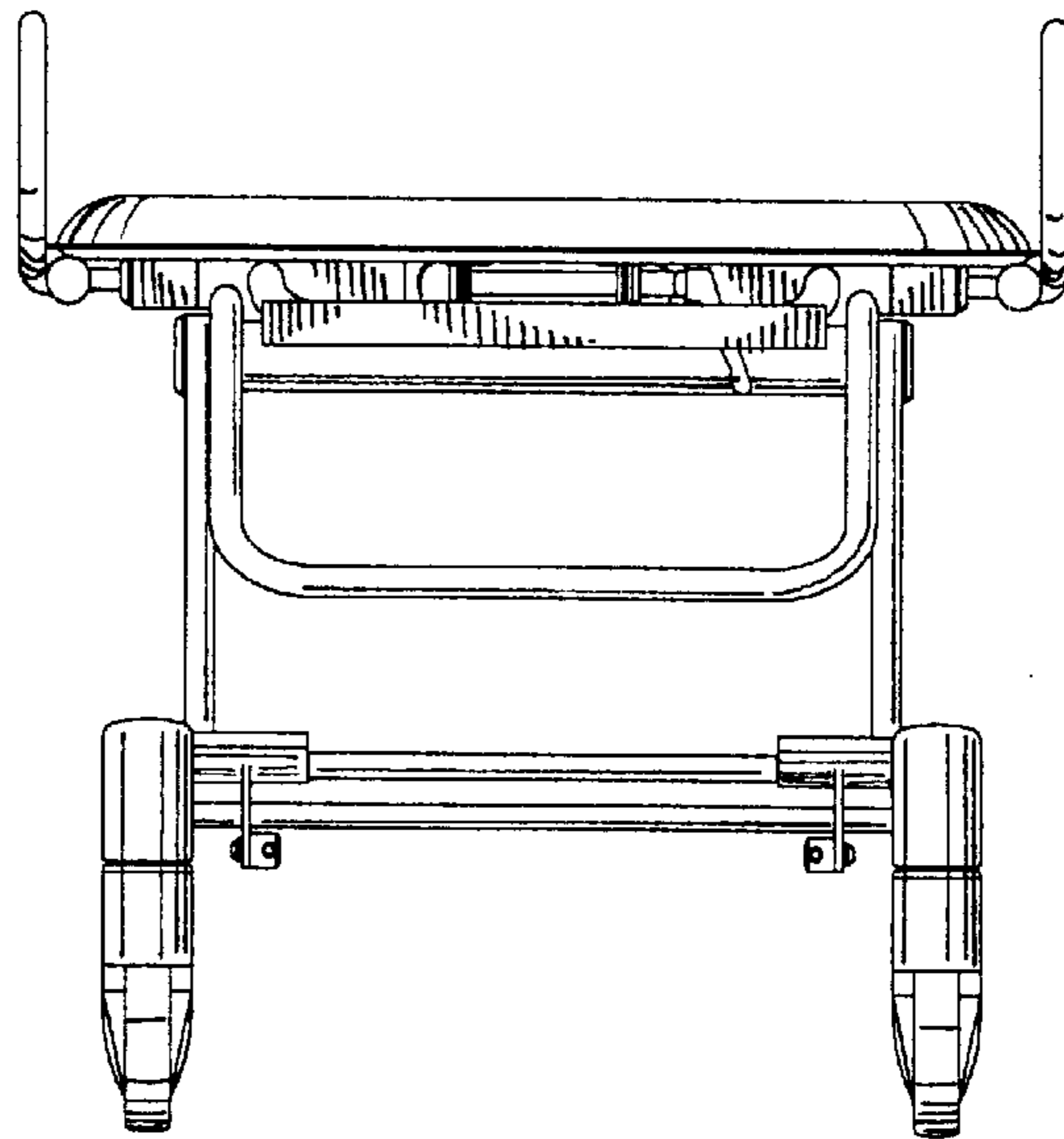


FIG. 12

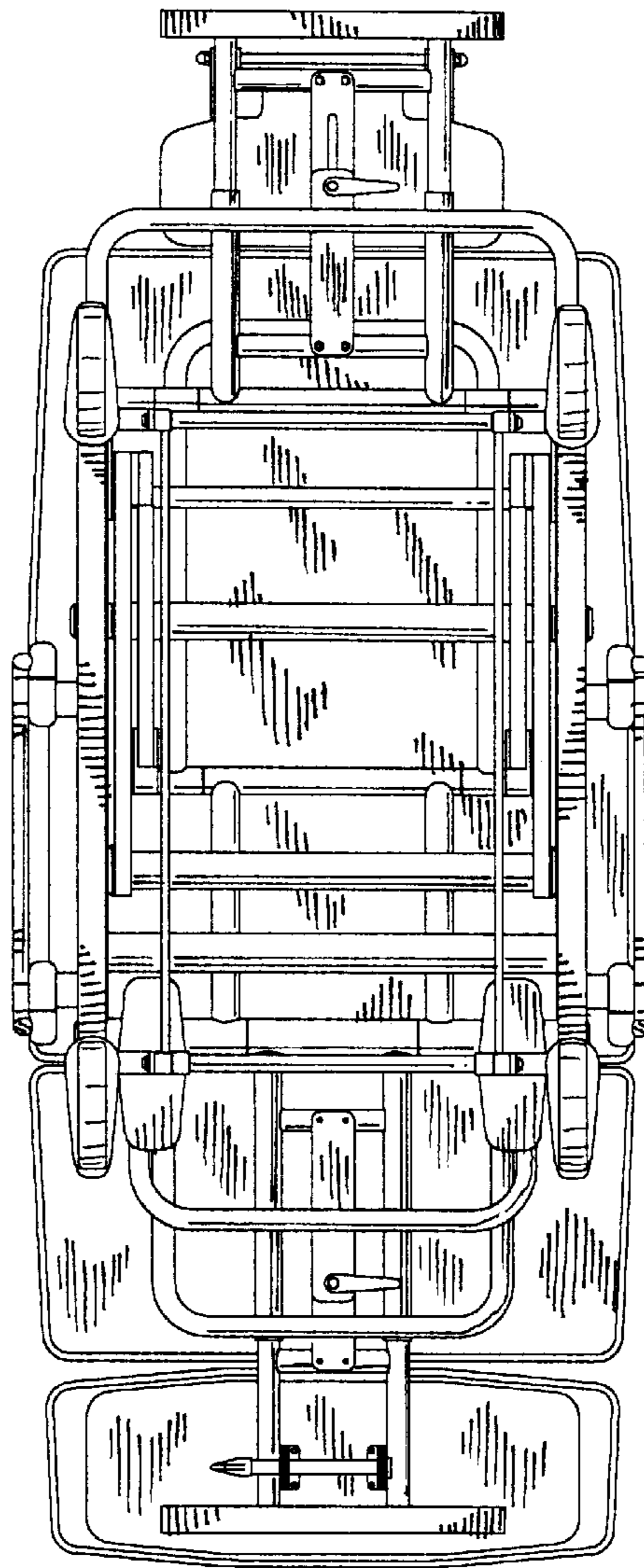


FIG. 13

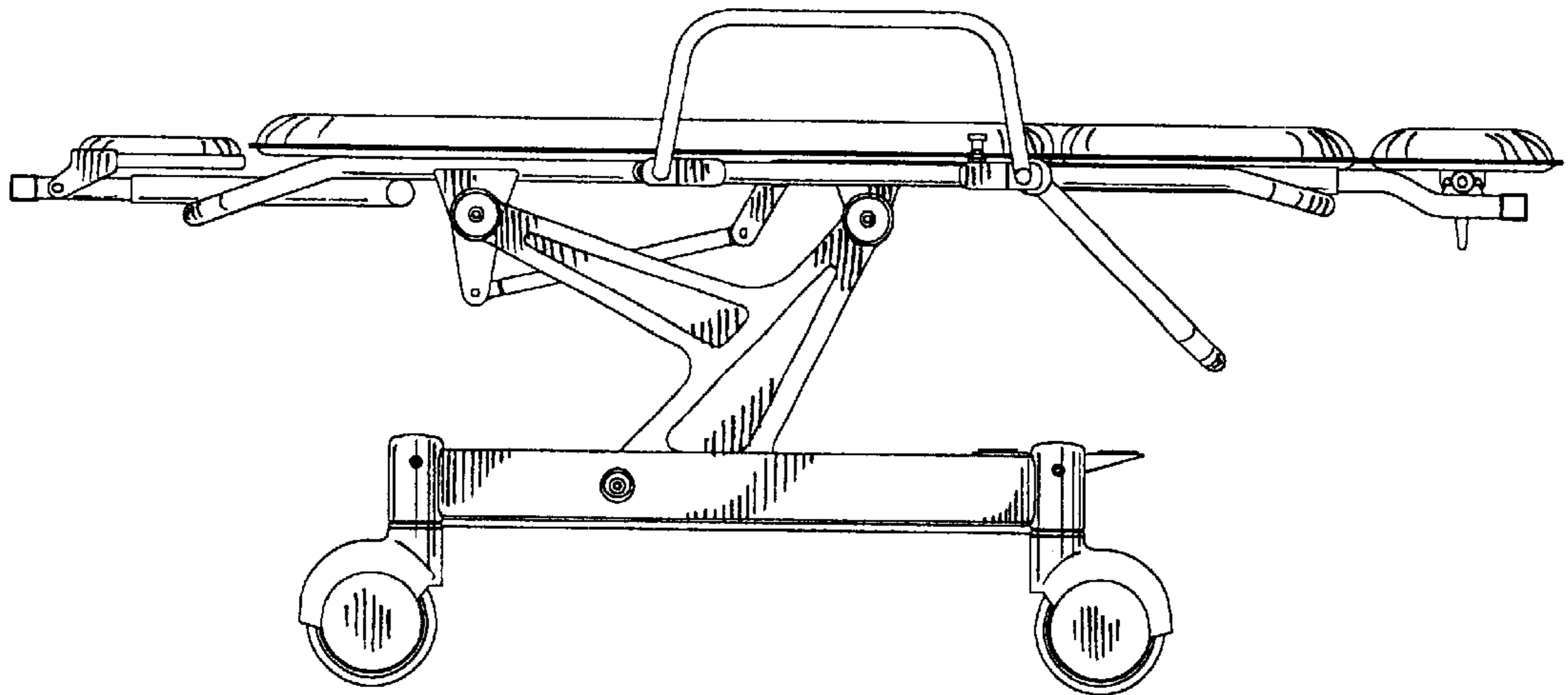


FIG. 14

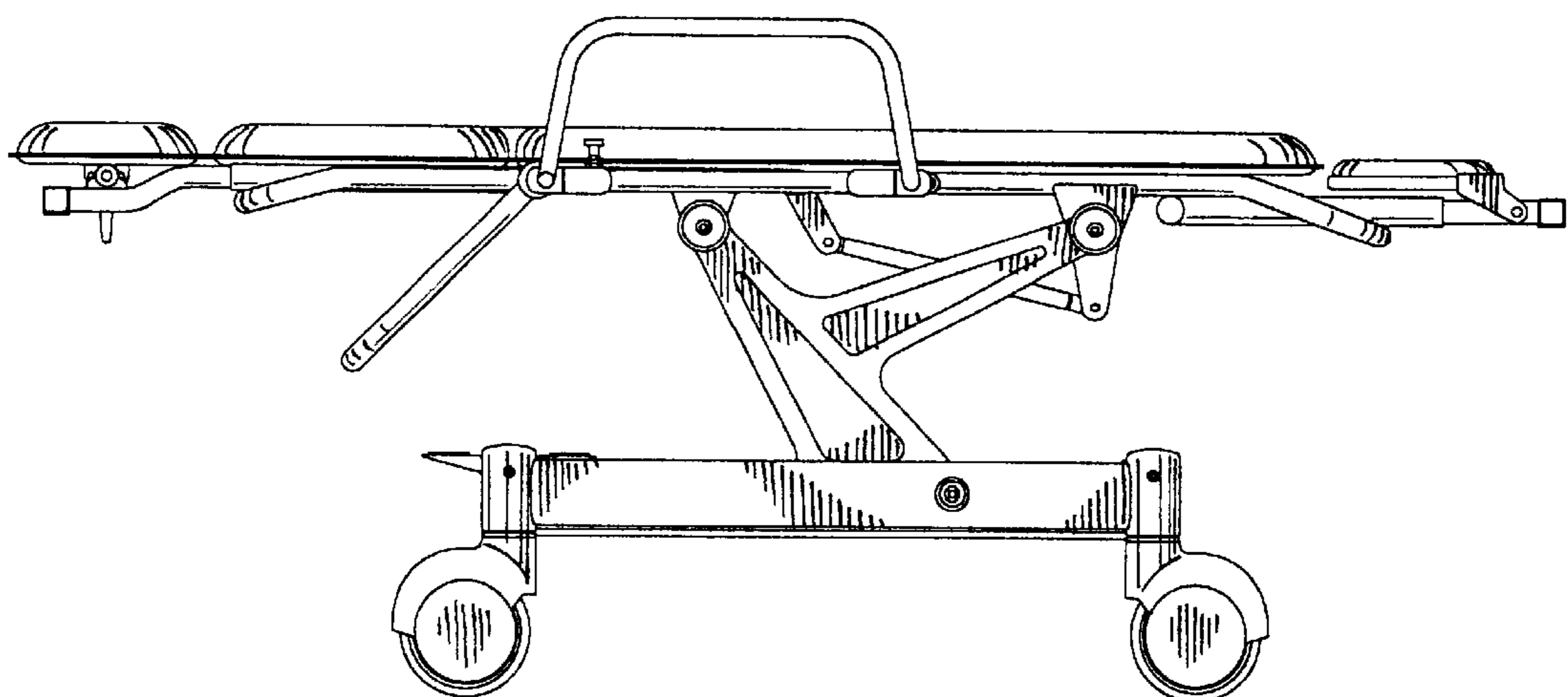


FIG. 15

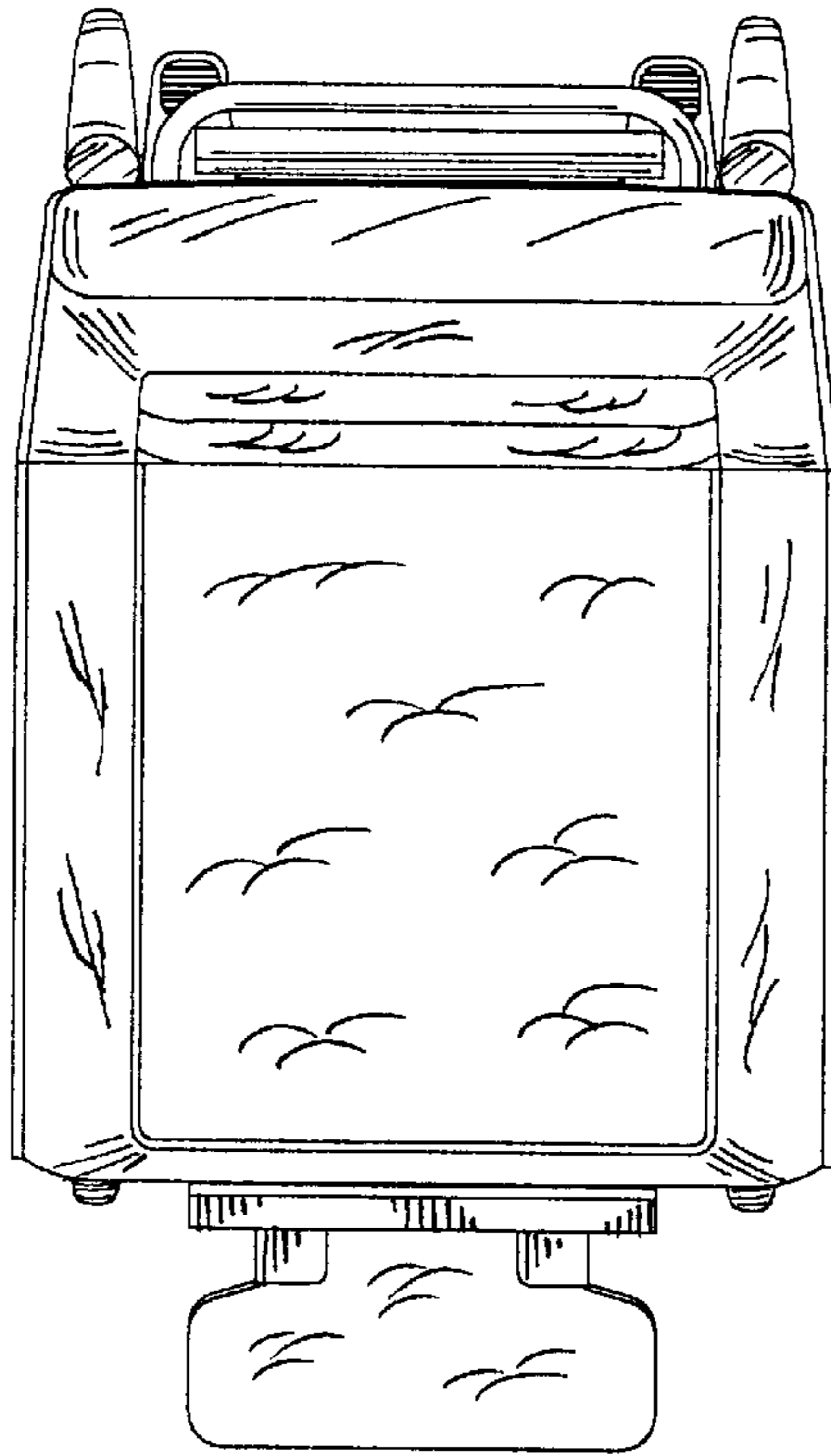


FIG. 16

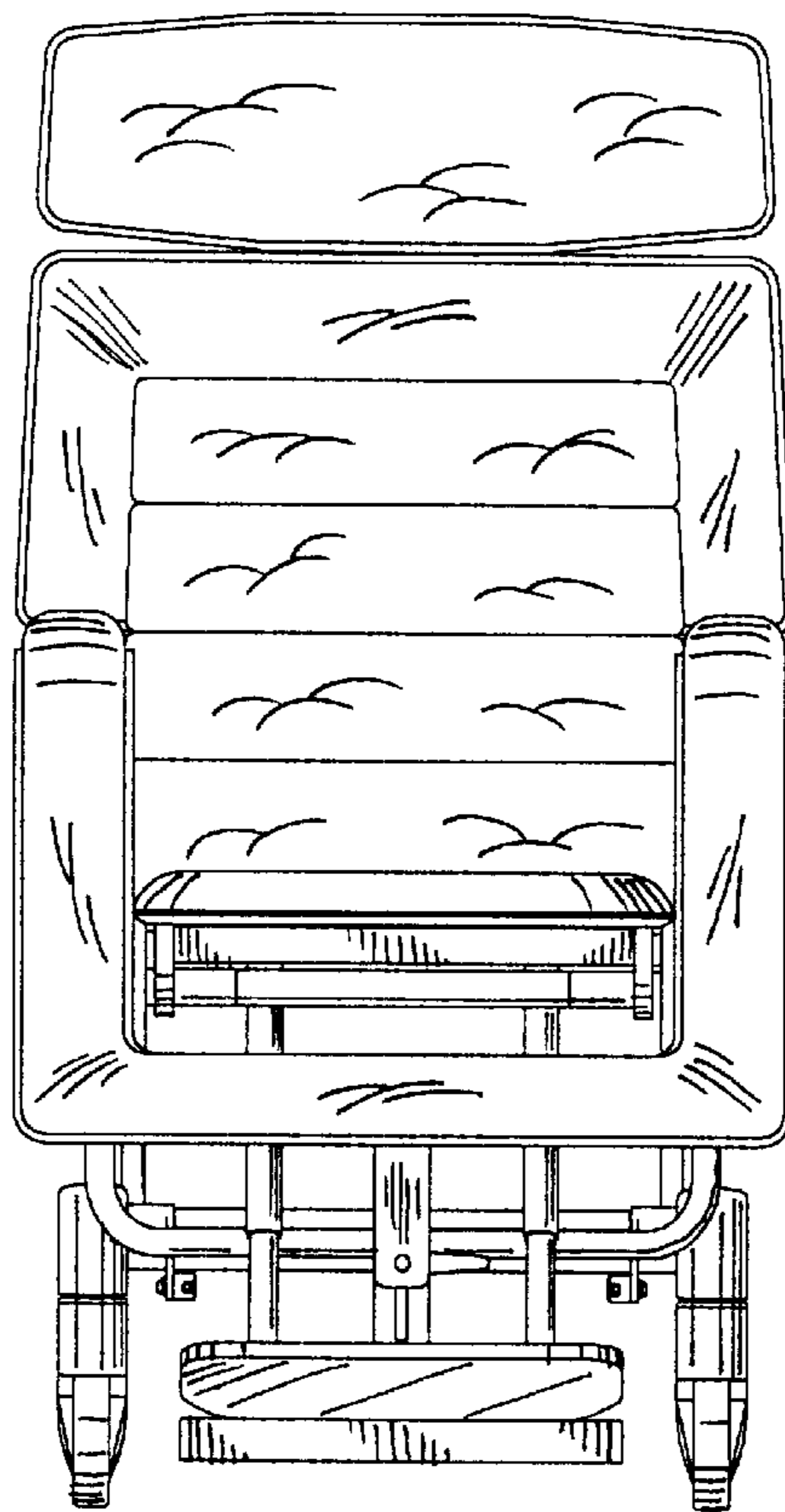


FIG. 17

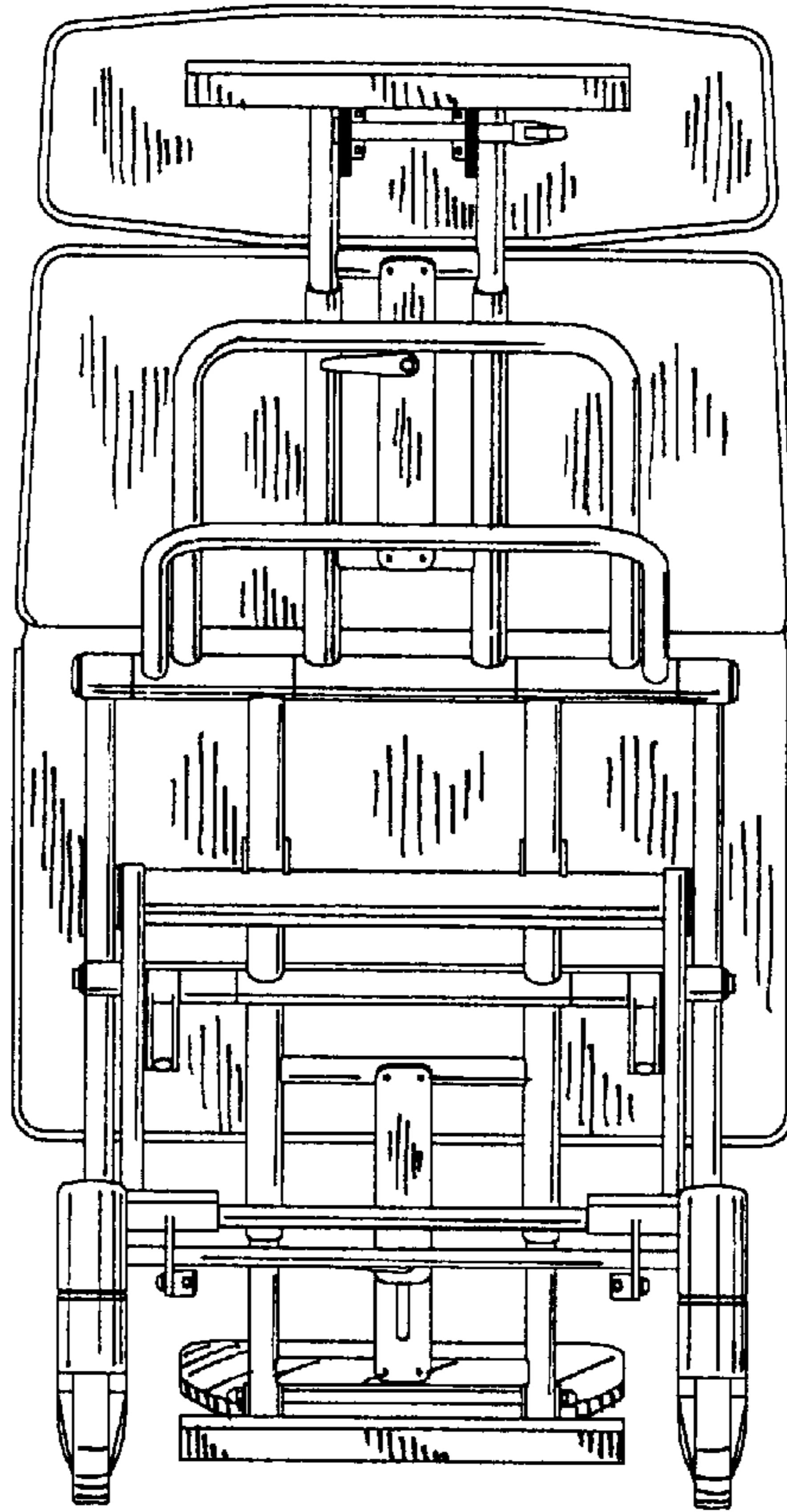


FIG. 18

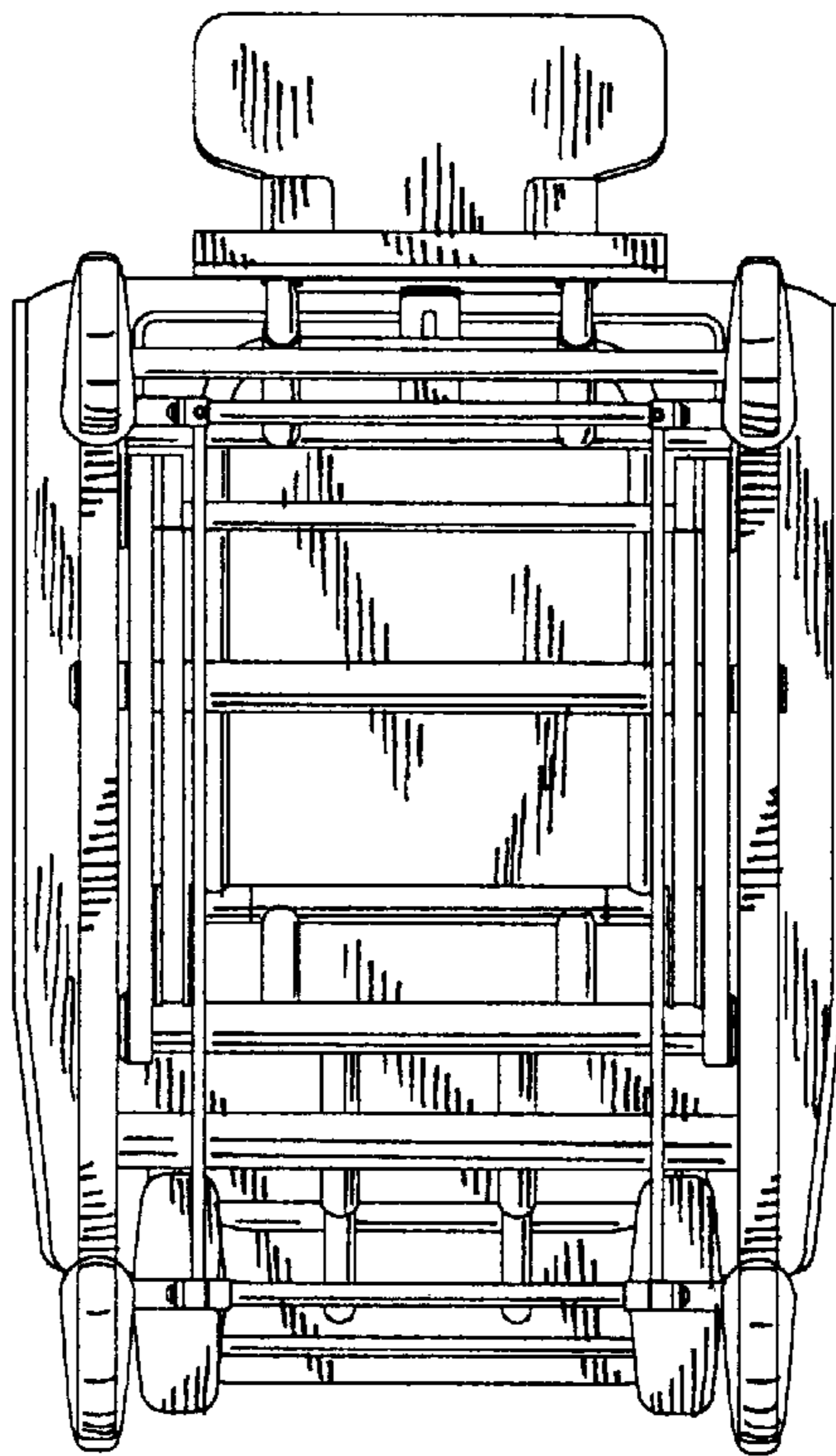


FIG. 19

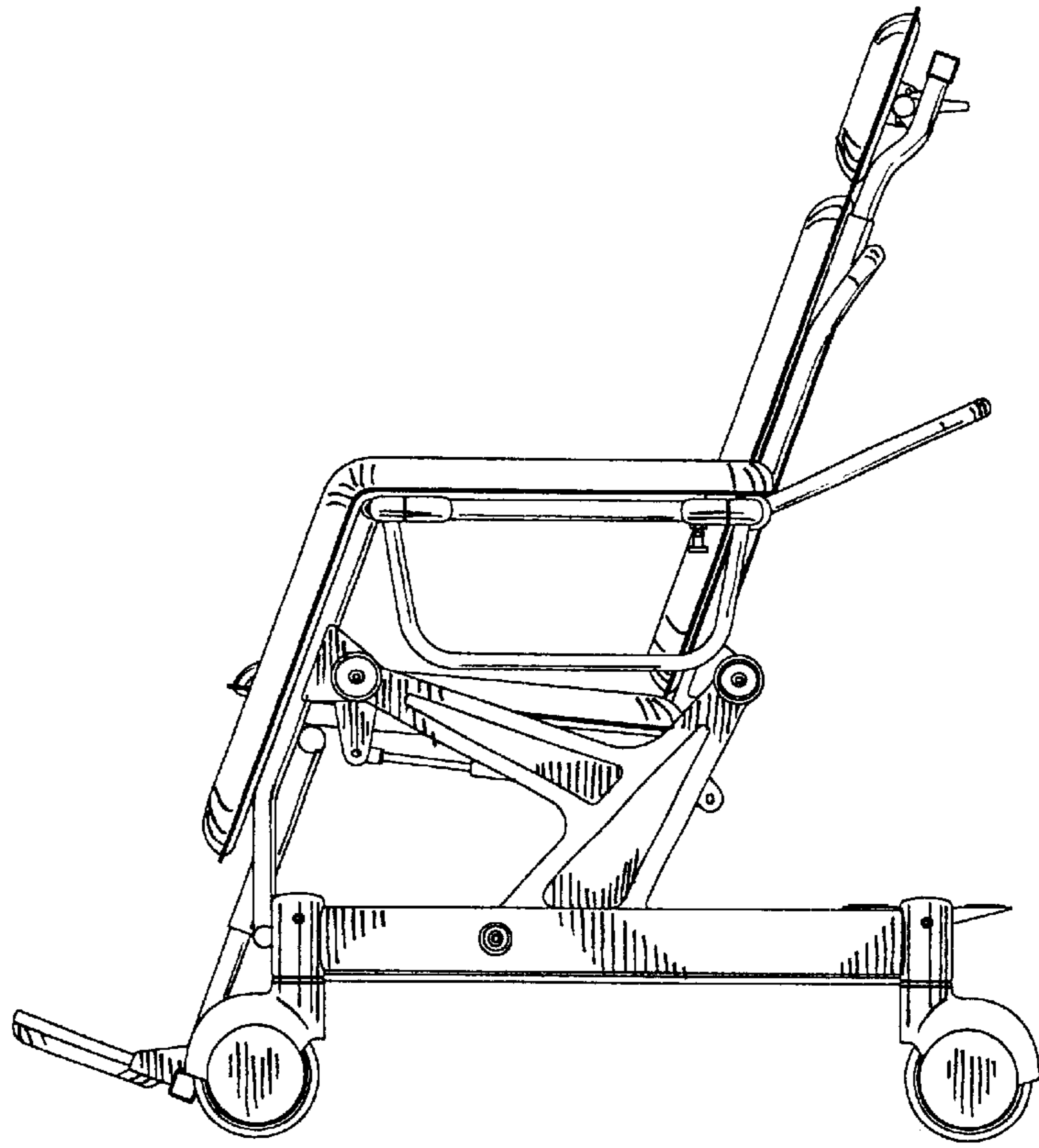


FIG. 20

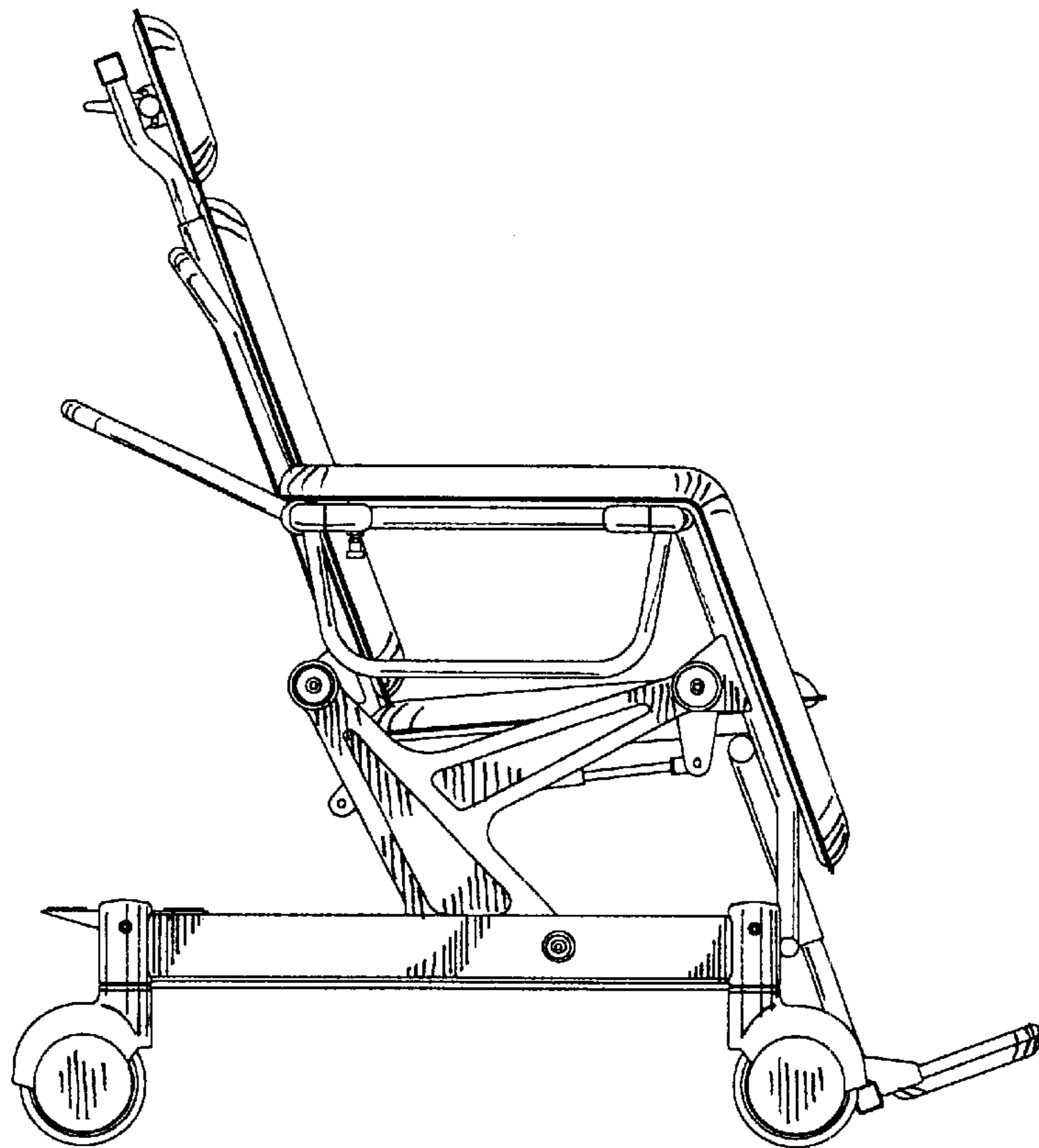


FIG. 21

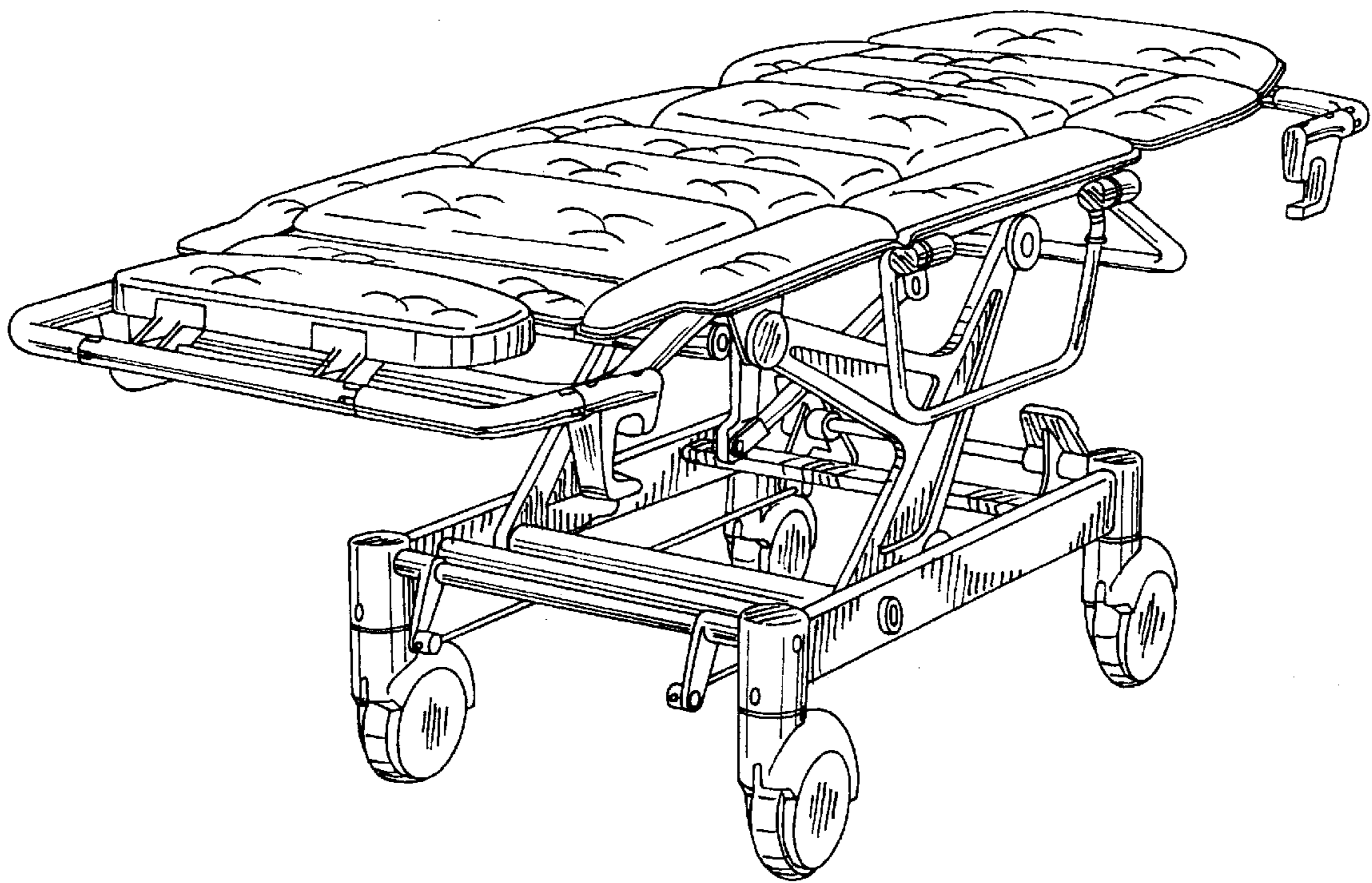


FIG. 22

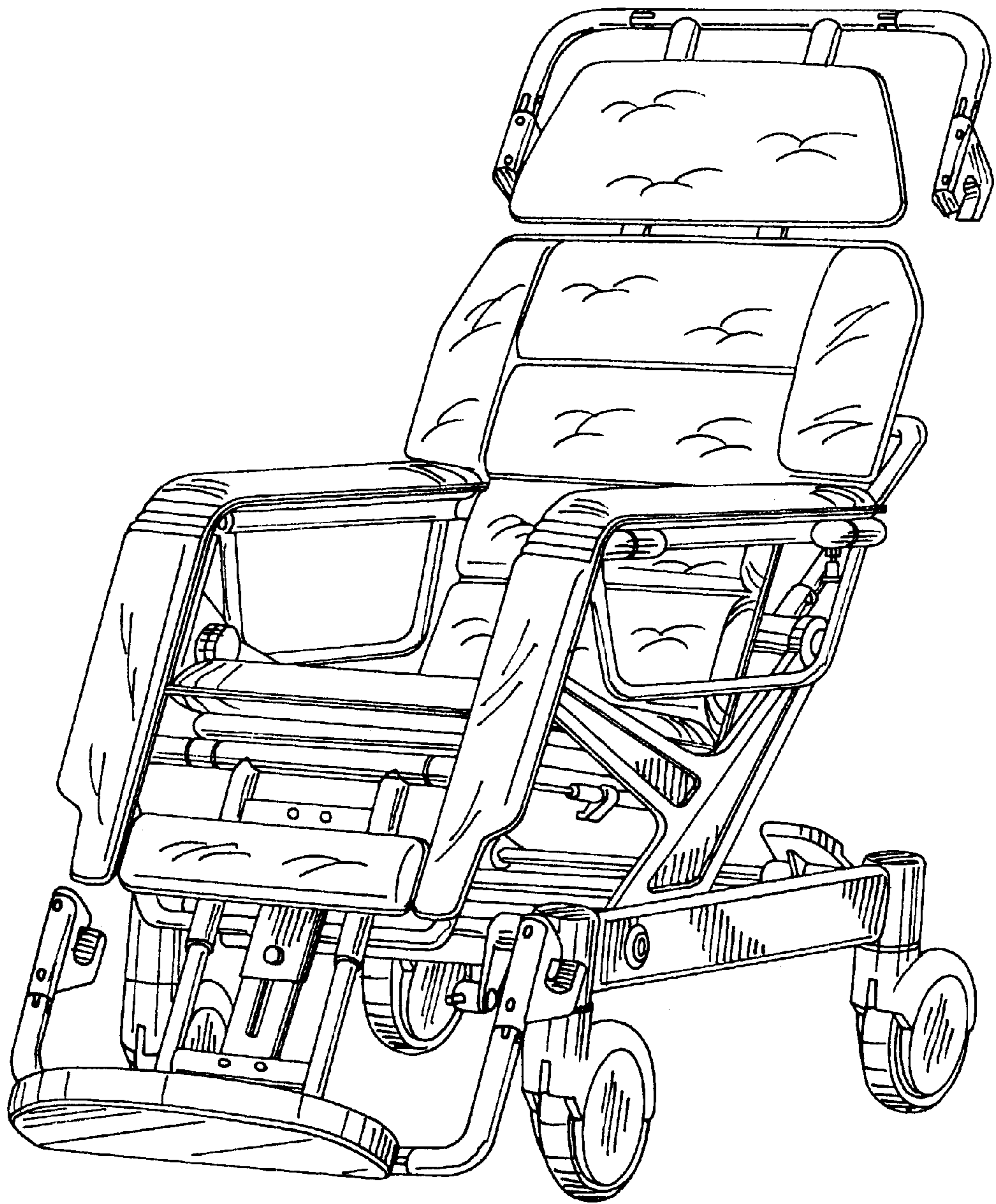


FIG. 23

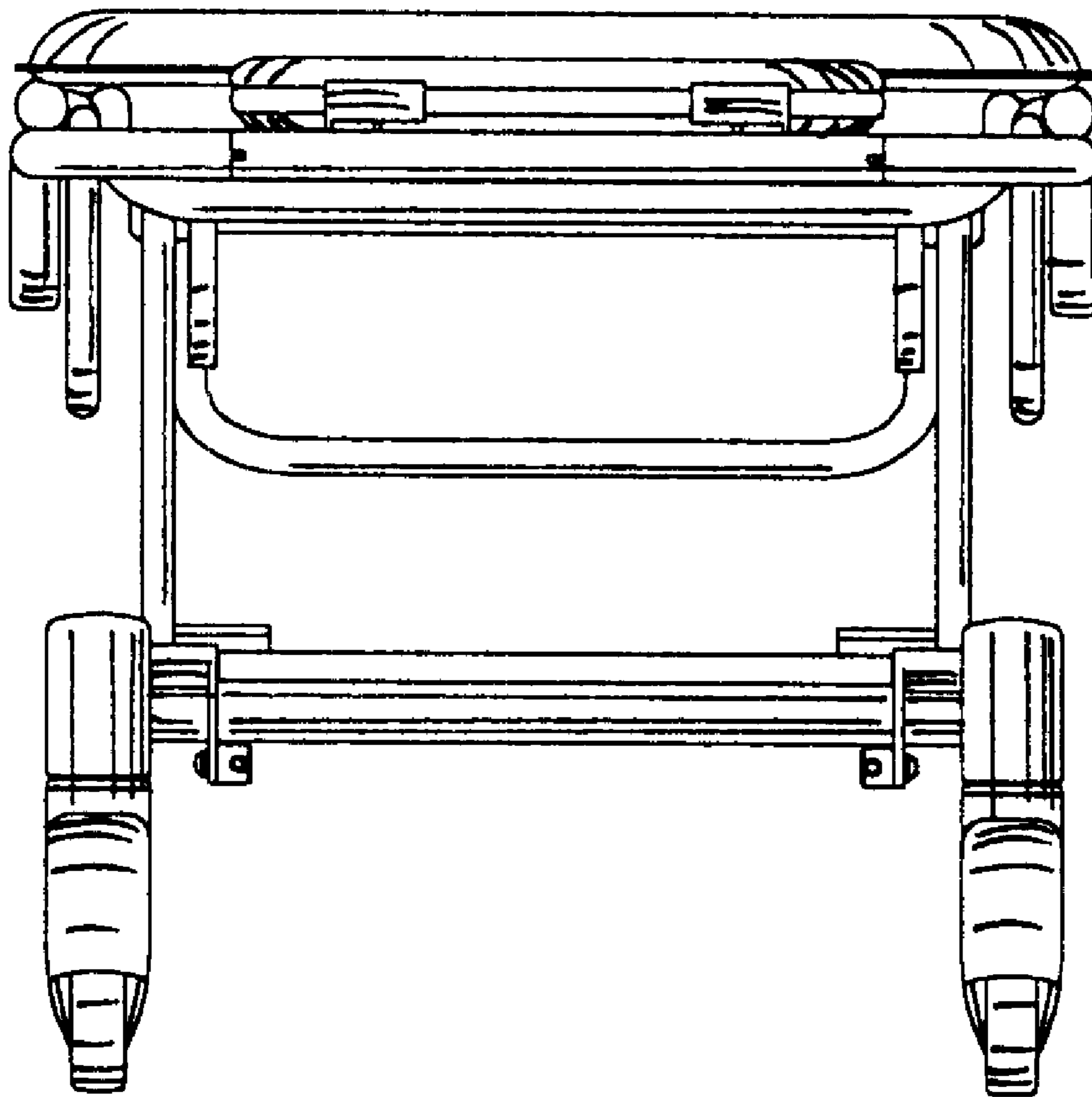




FIG. 24

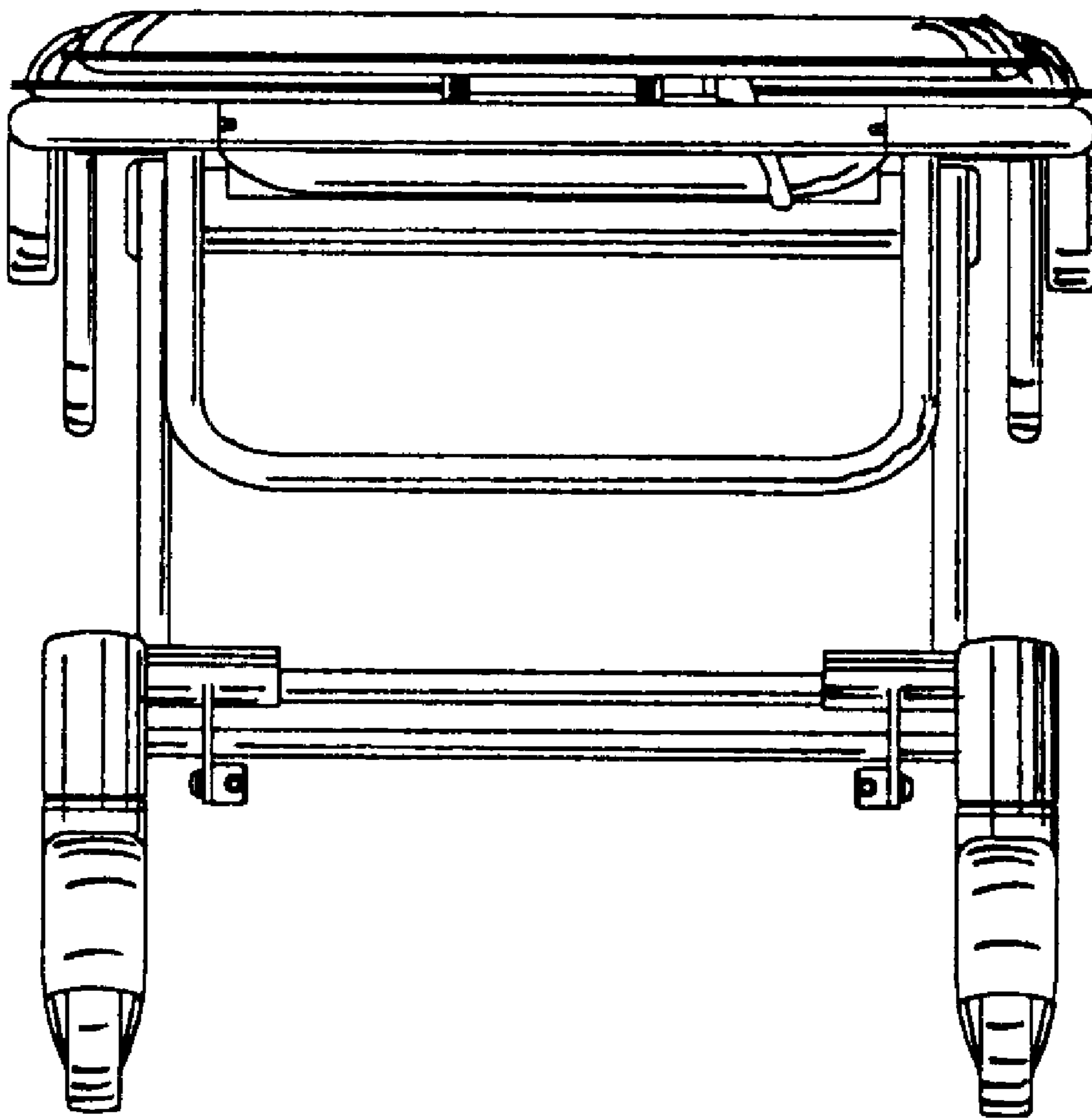


FIG. 25

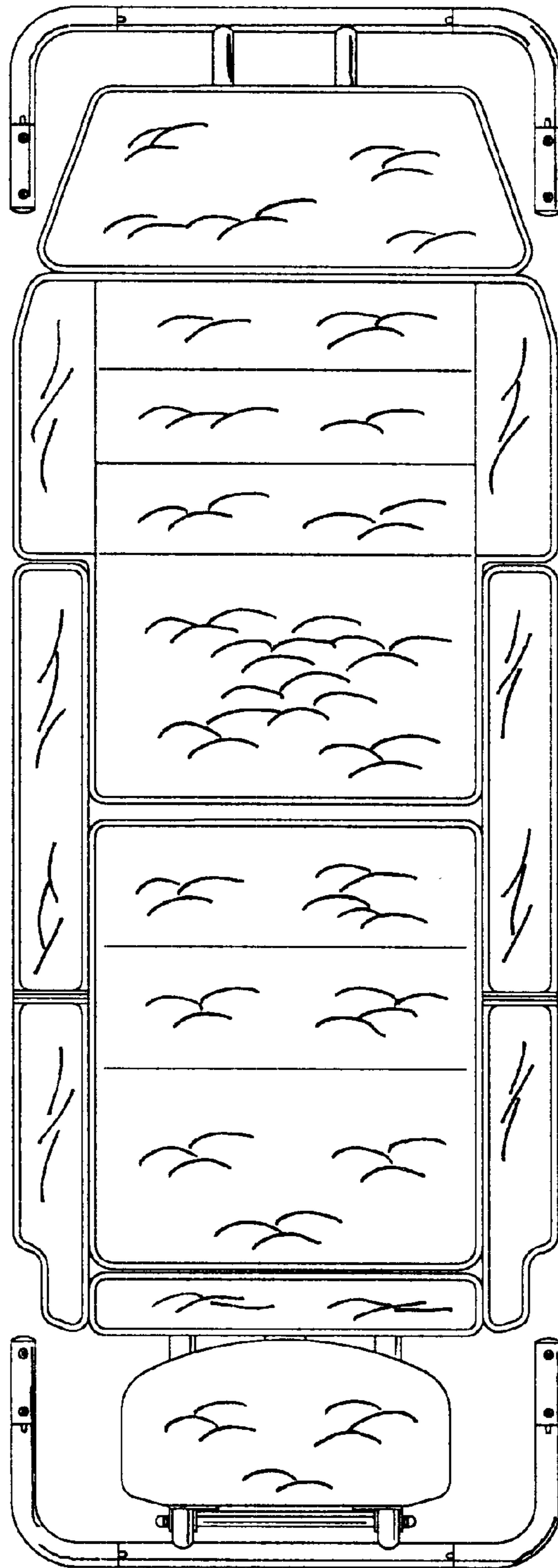


FIG. 26

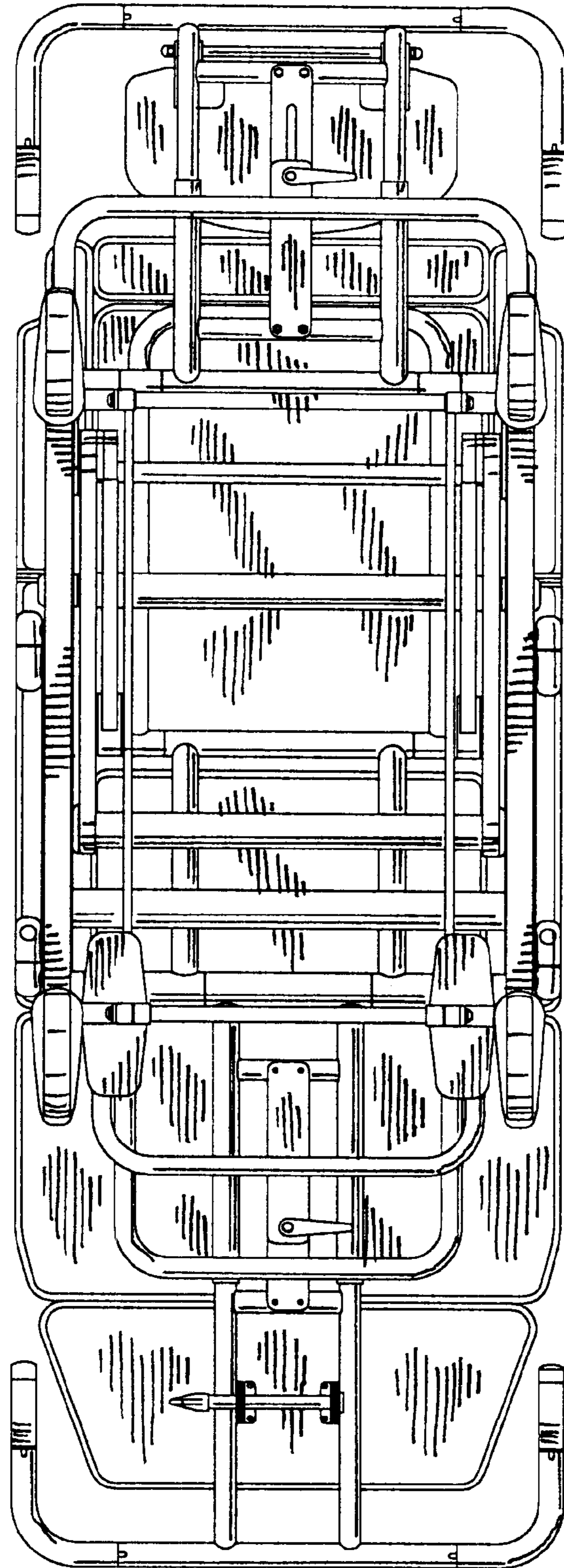


FIG. 27

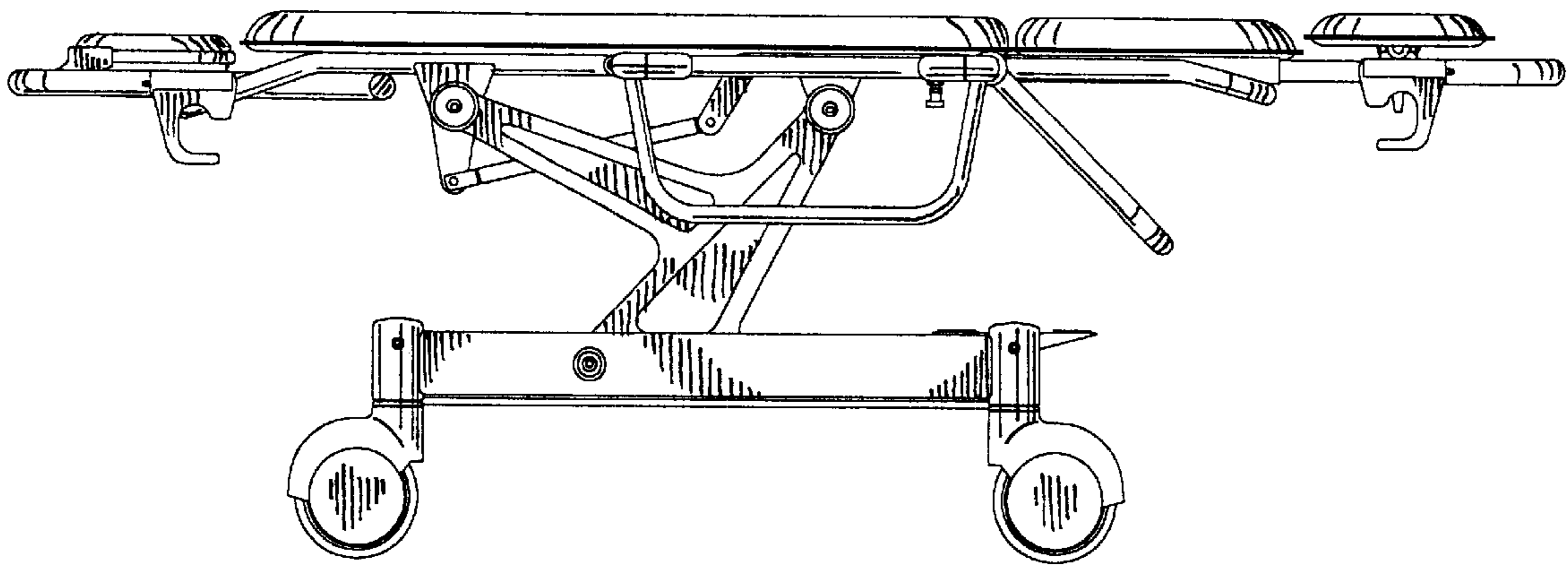


FIG. 28

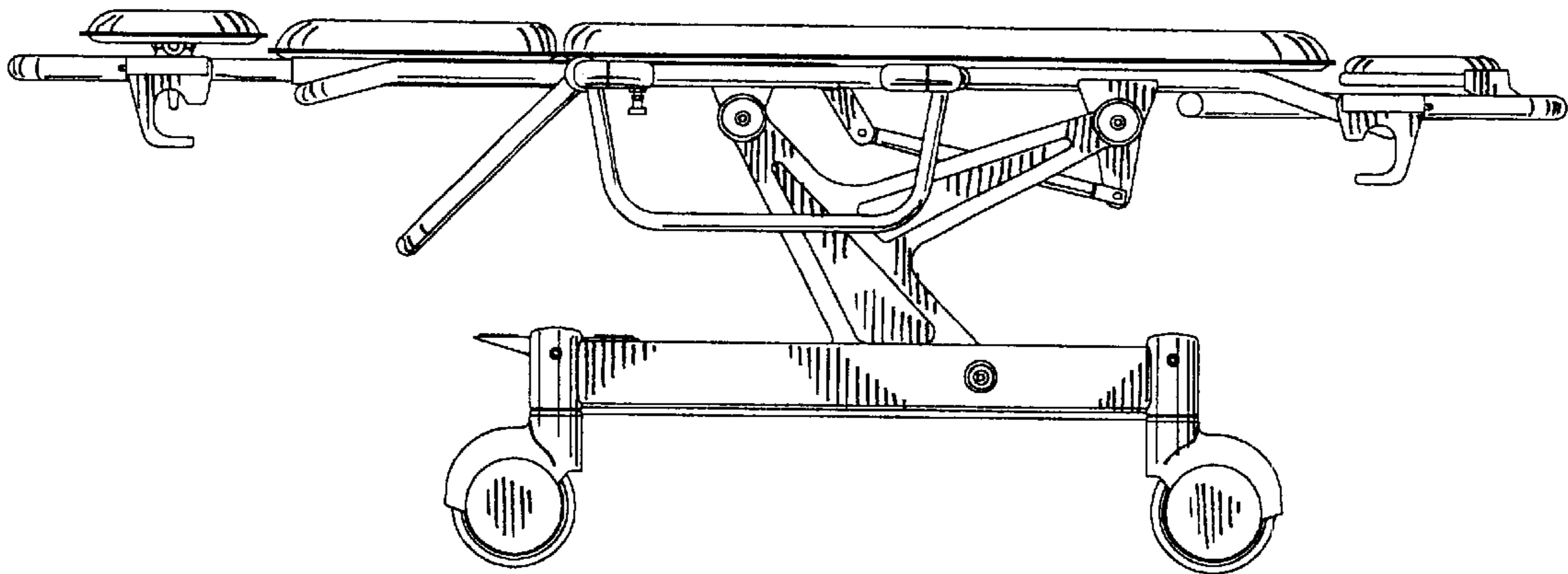


FIG. 29

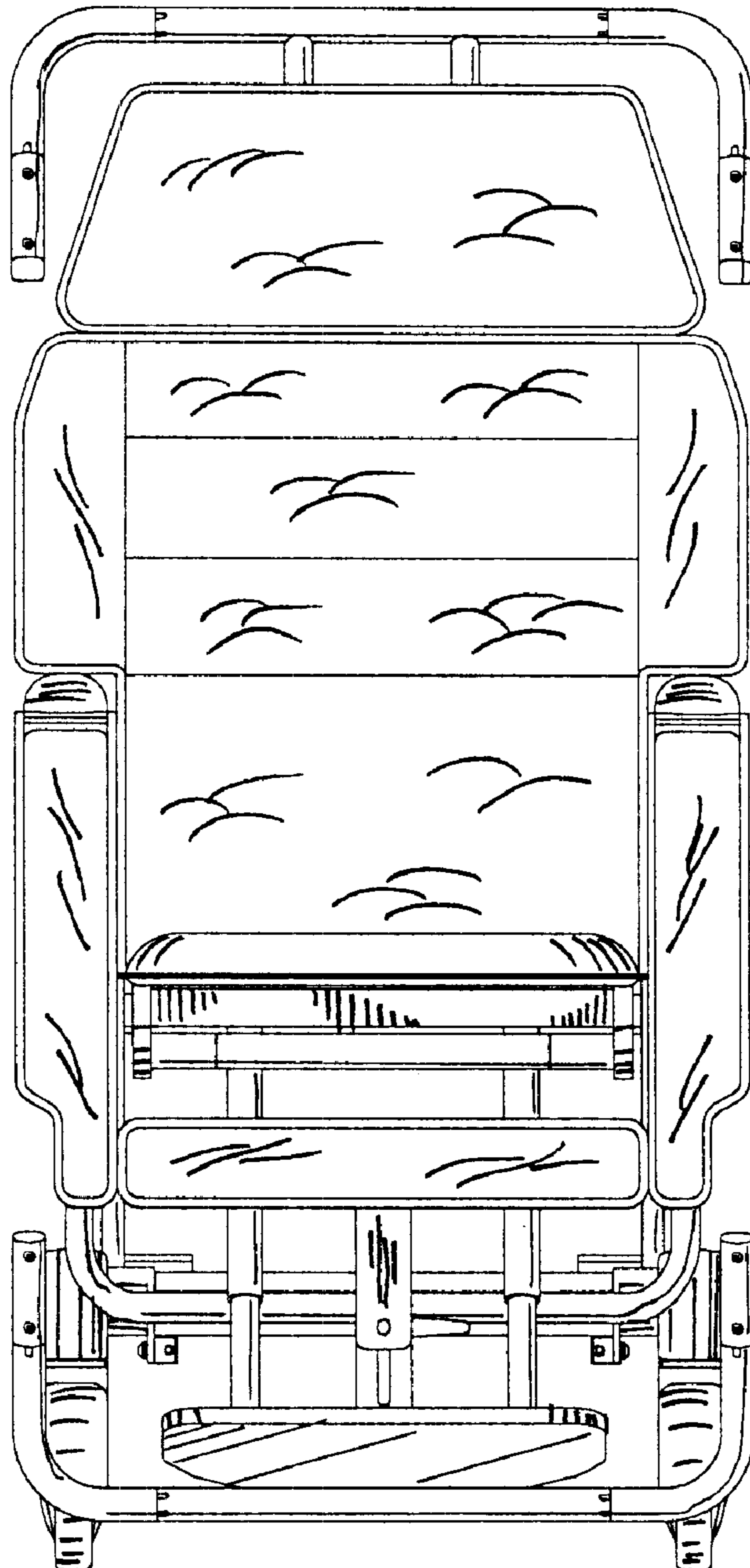


FIG. 30

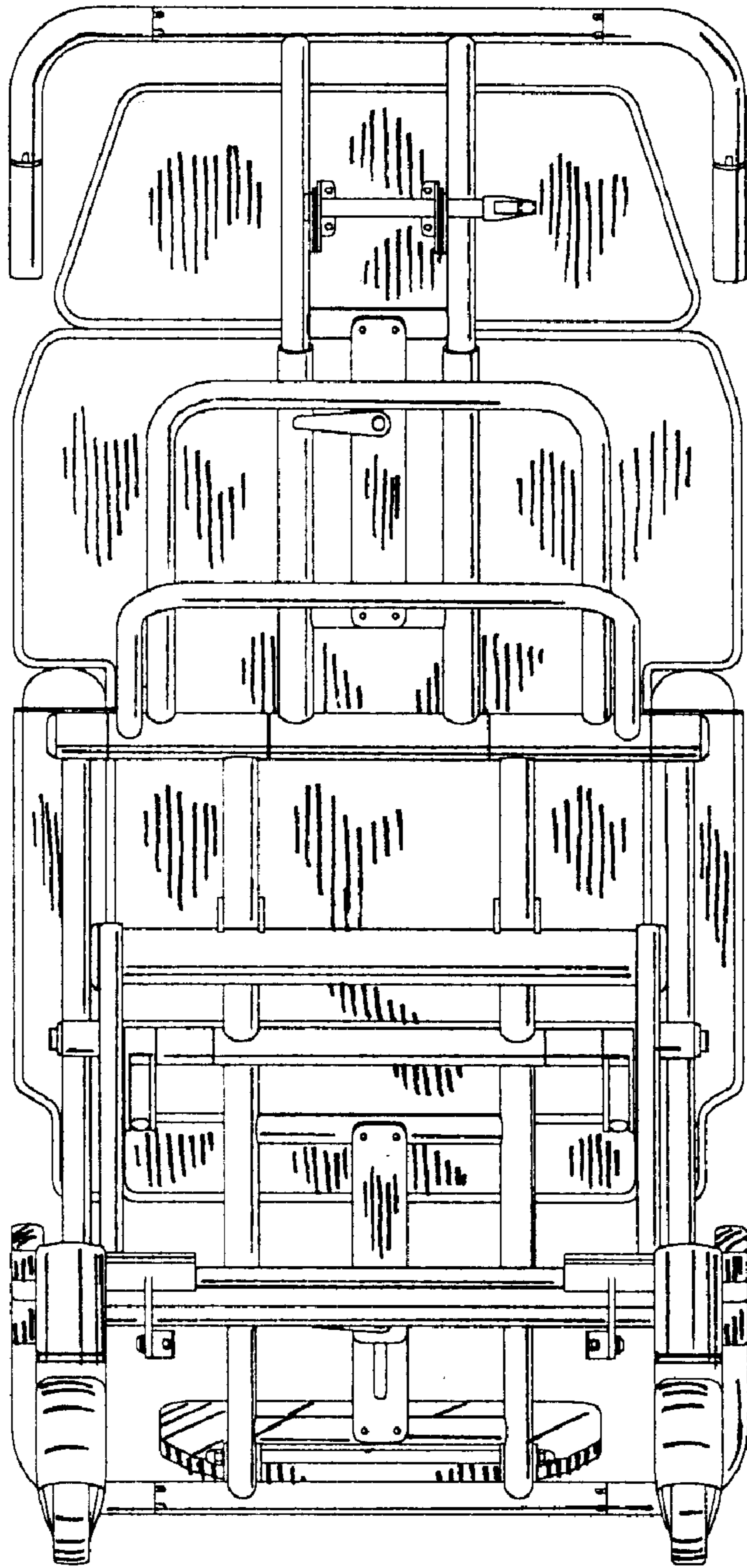


FIG. 31

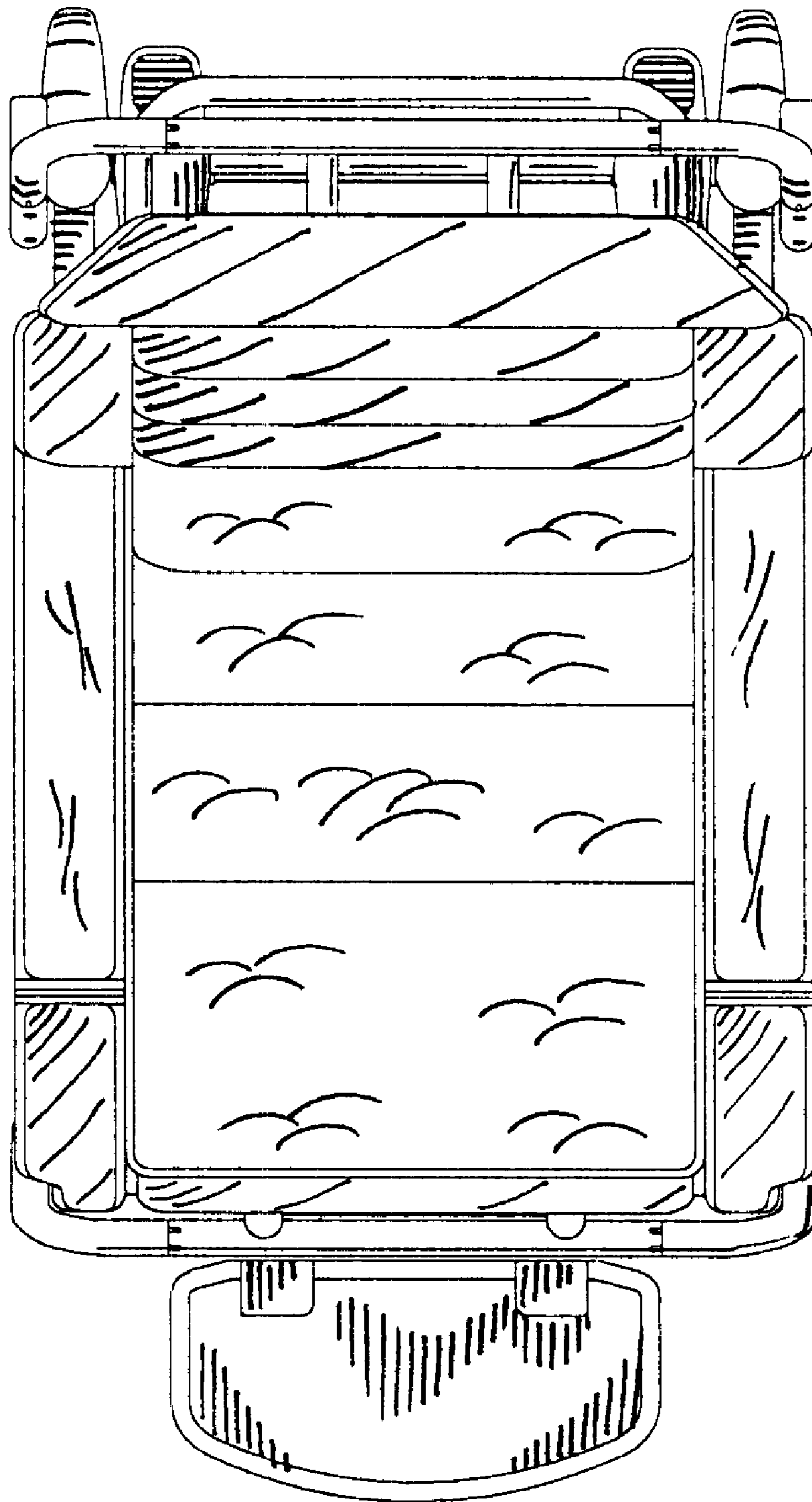




FIG. 32

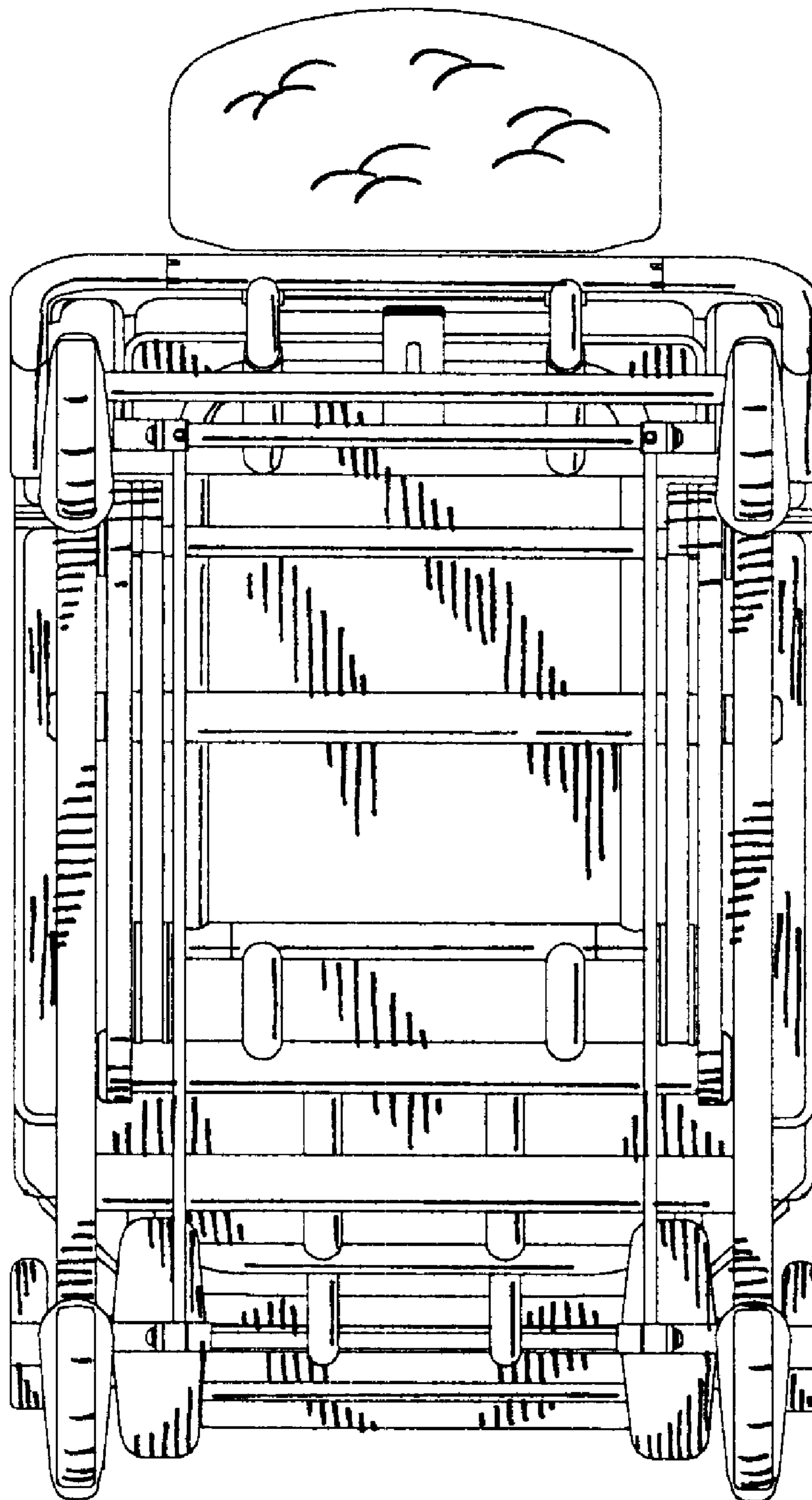


FIG. 33

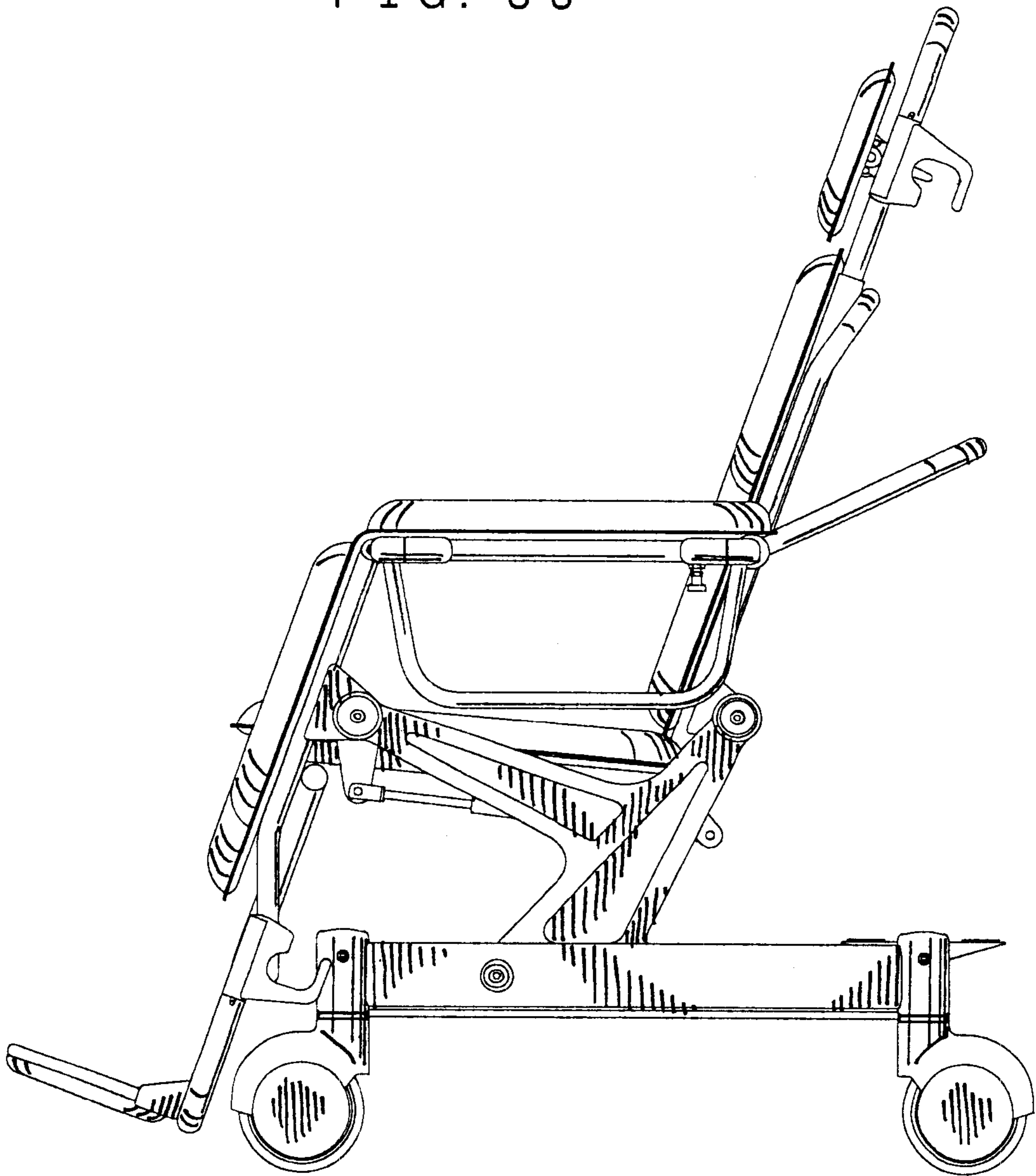


FIG. 34

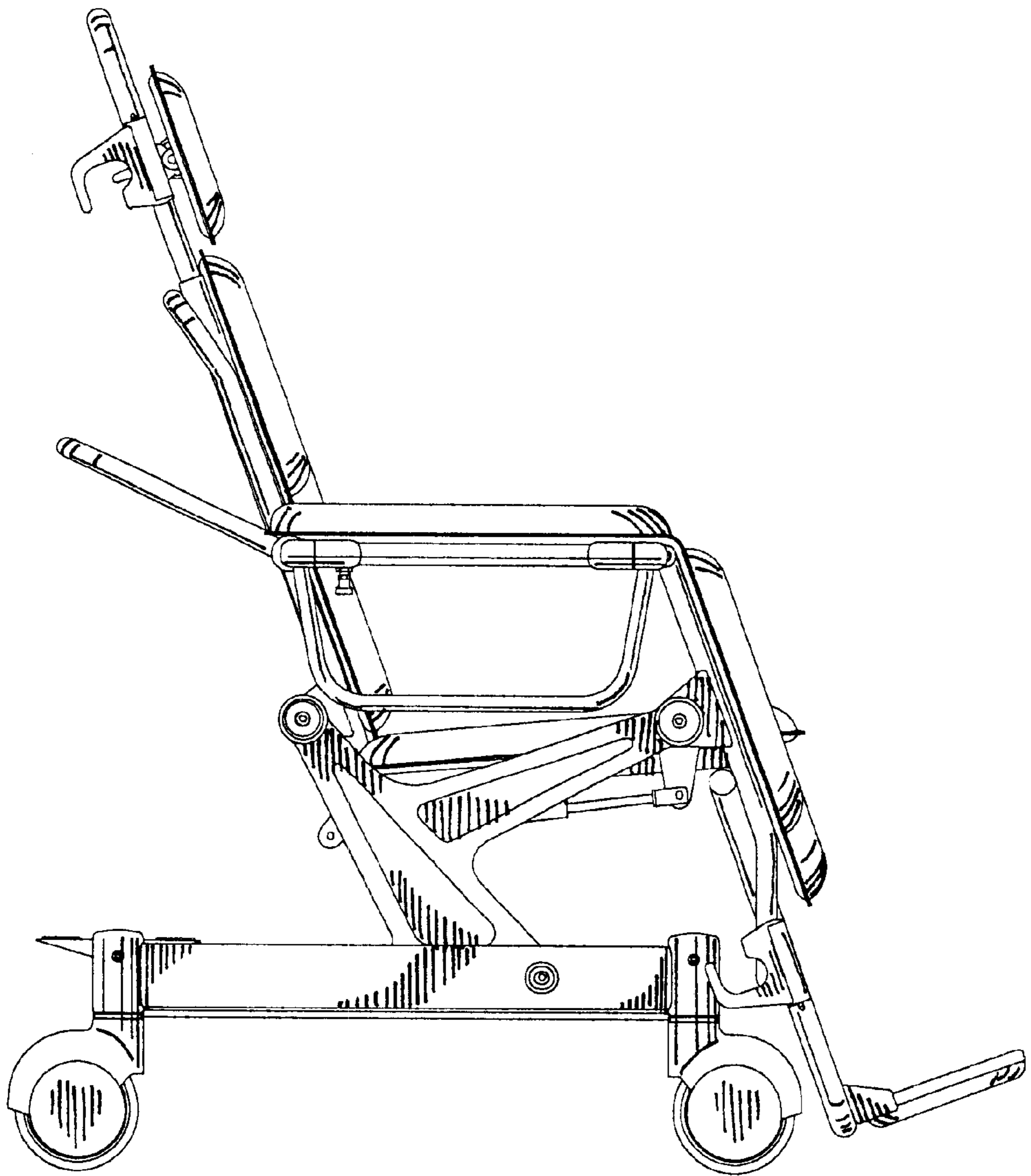


FIG. 35

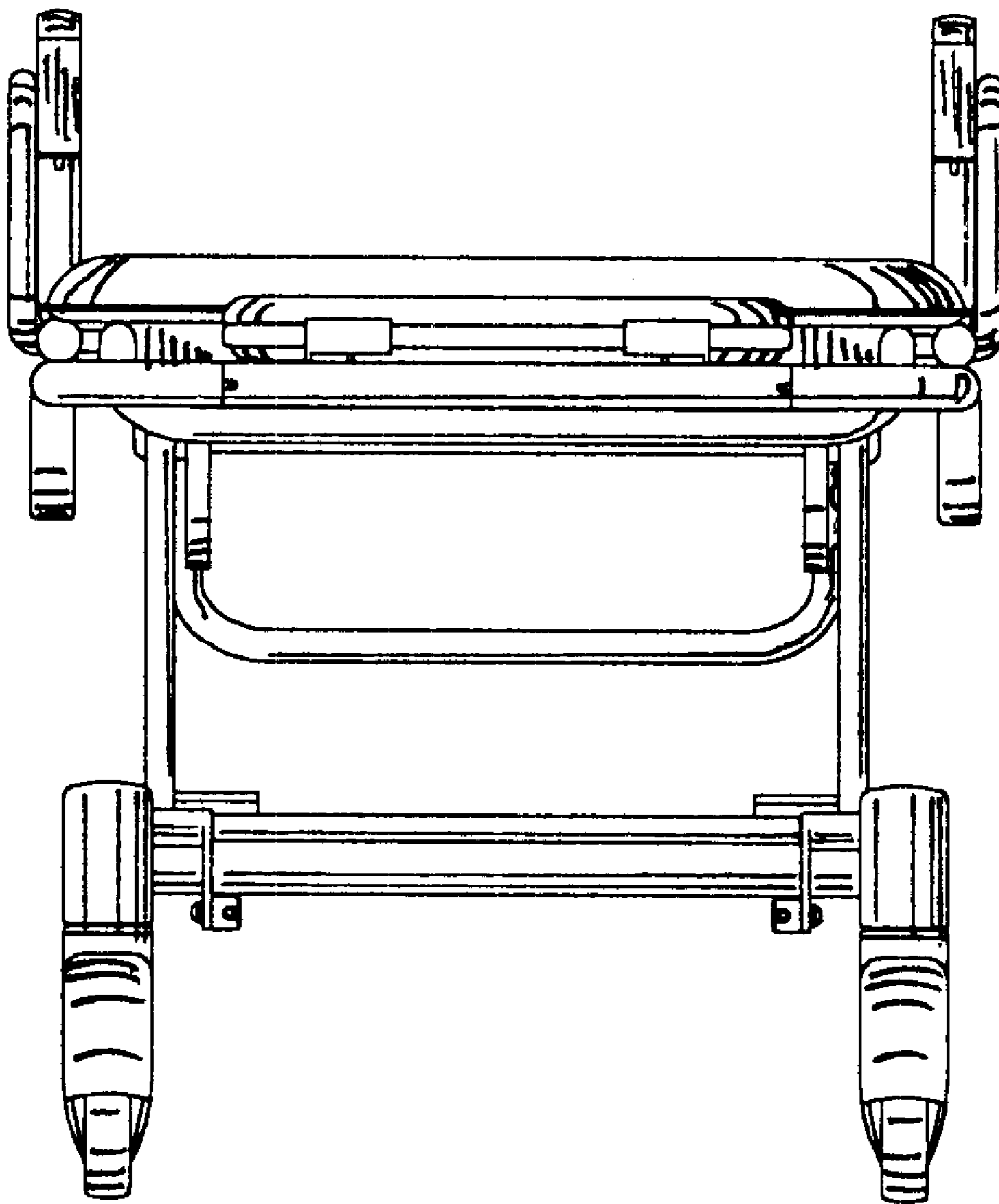


FIG. 36

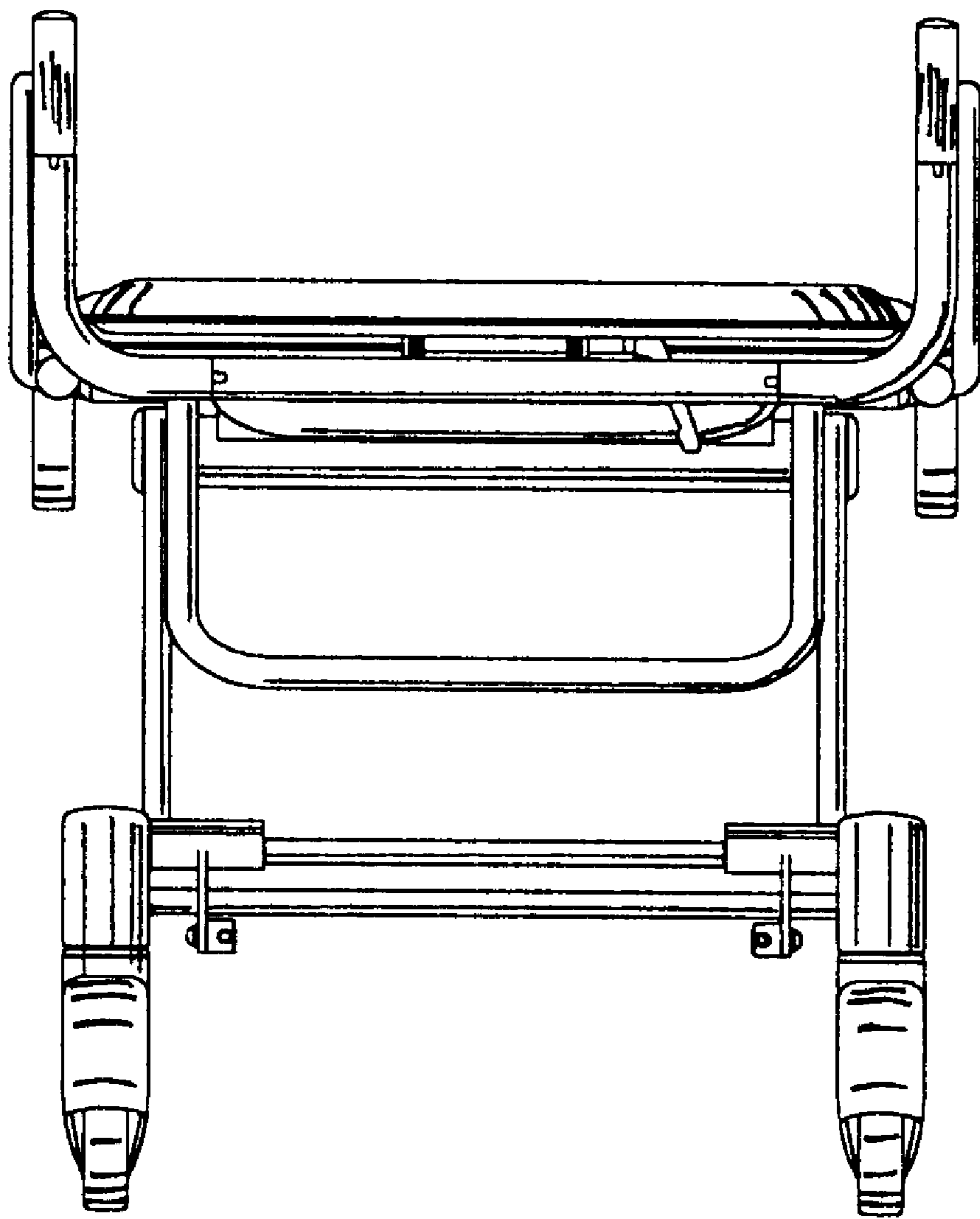


FIG. 37

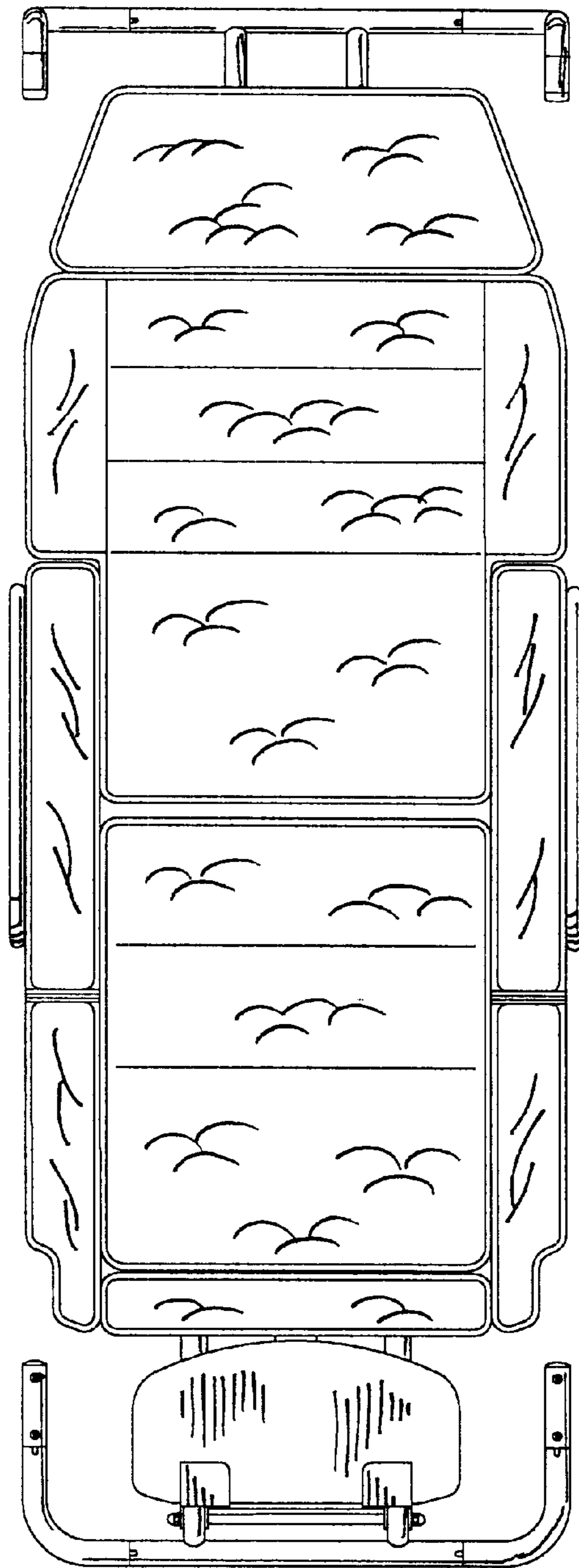


FIG. 38

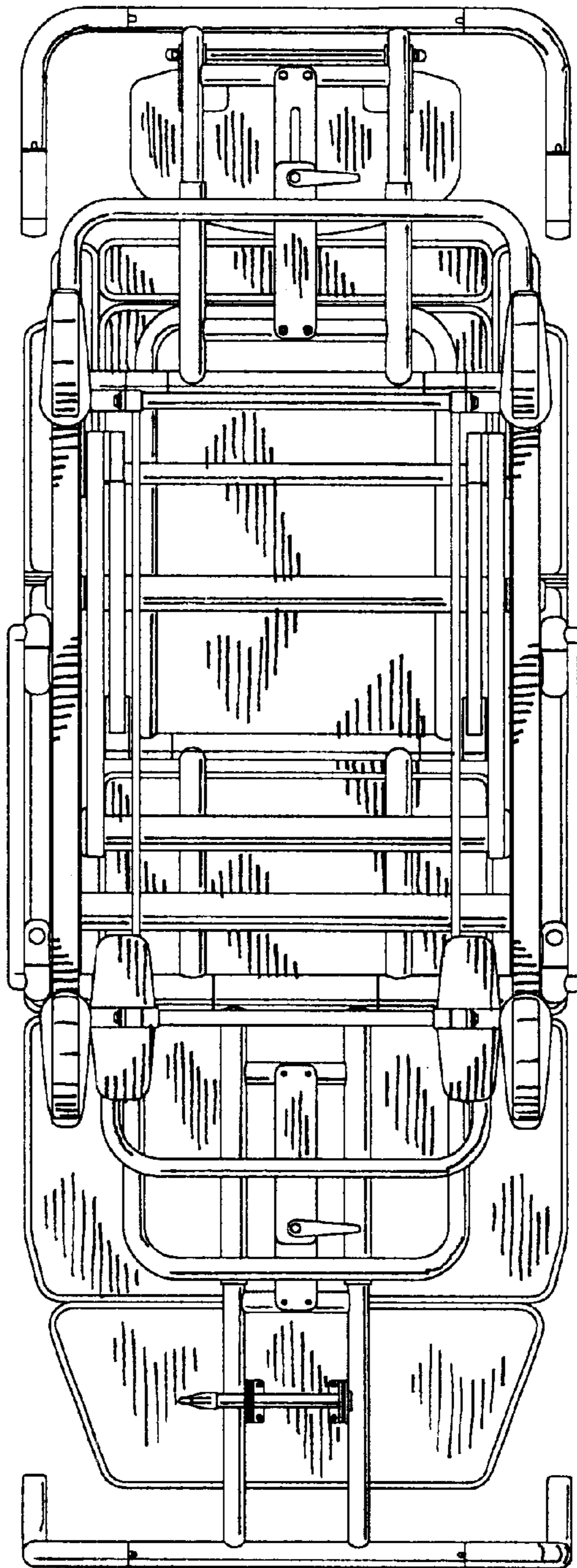


FIG. 39

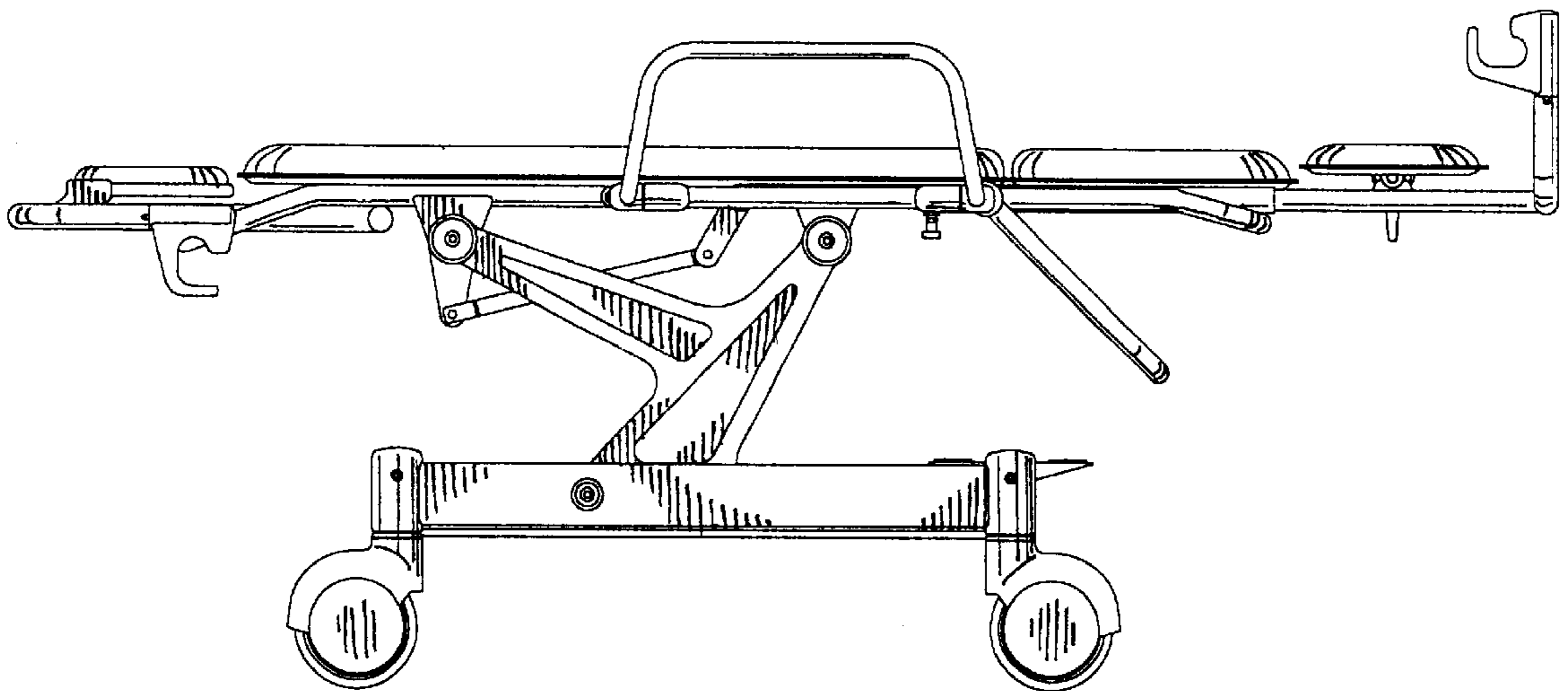




FIG. 40

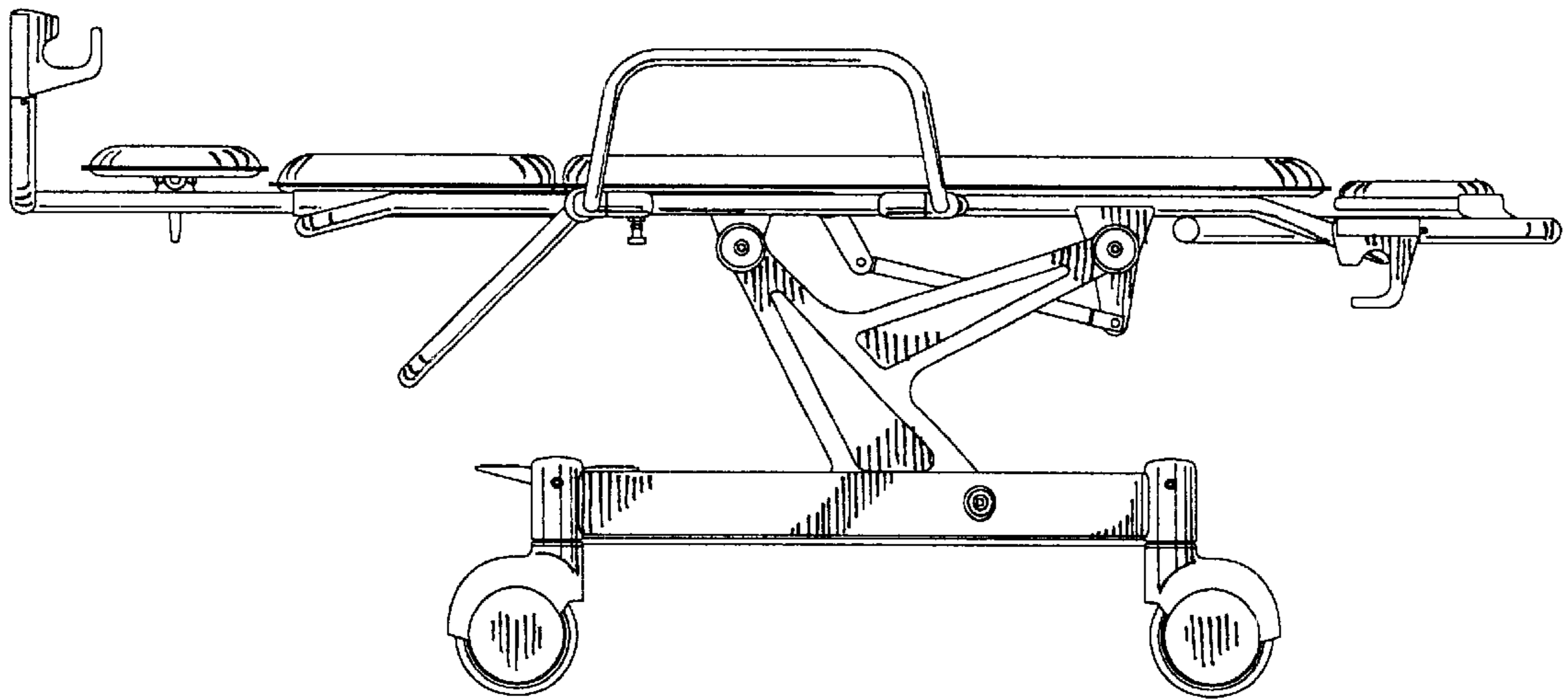


FIG. 41

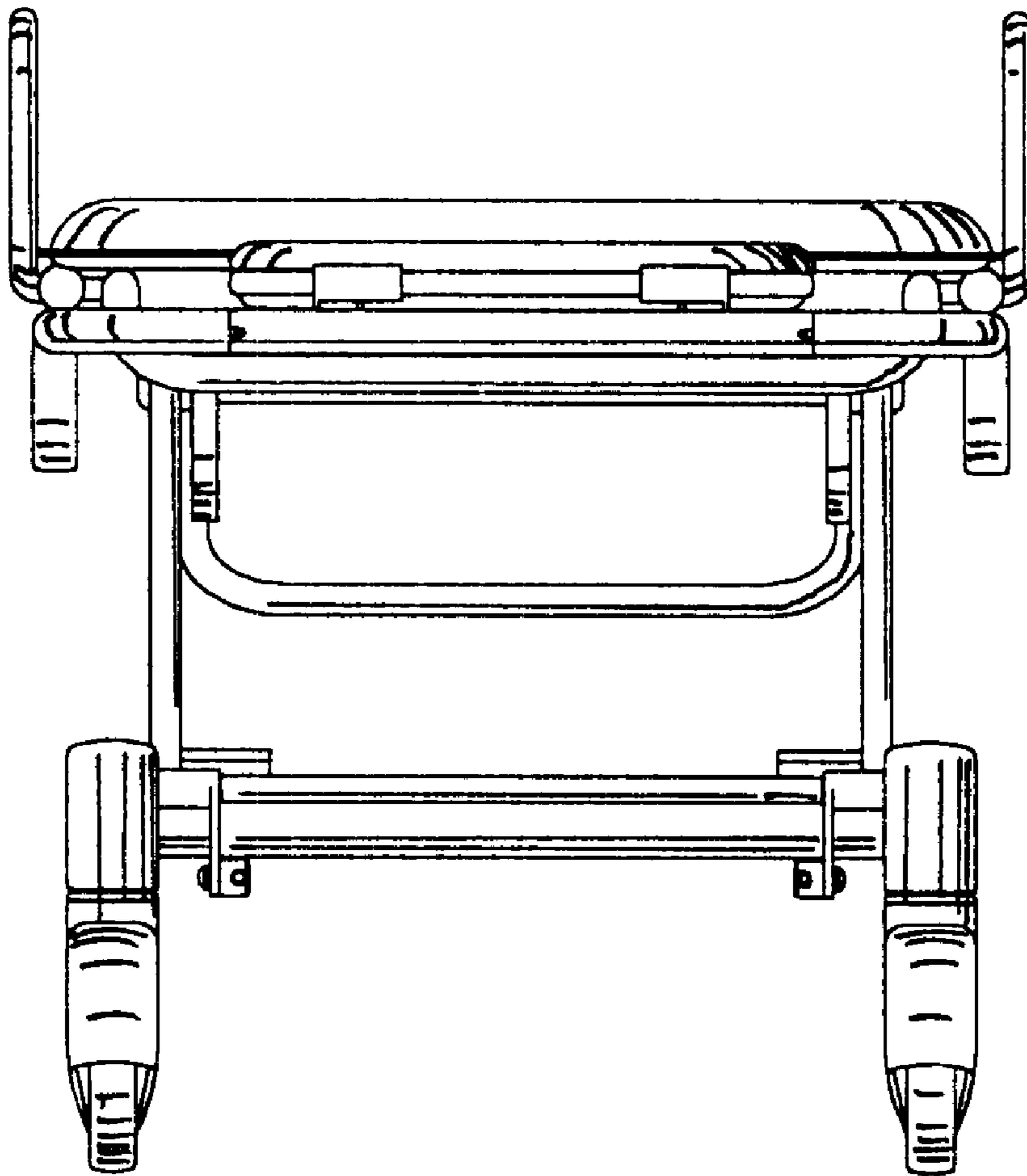


FIG. 42

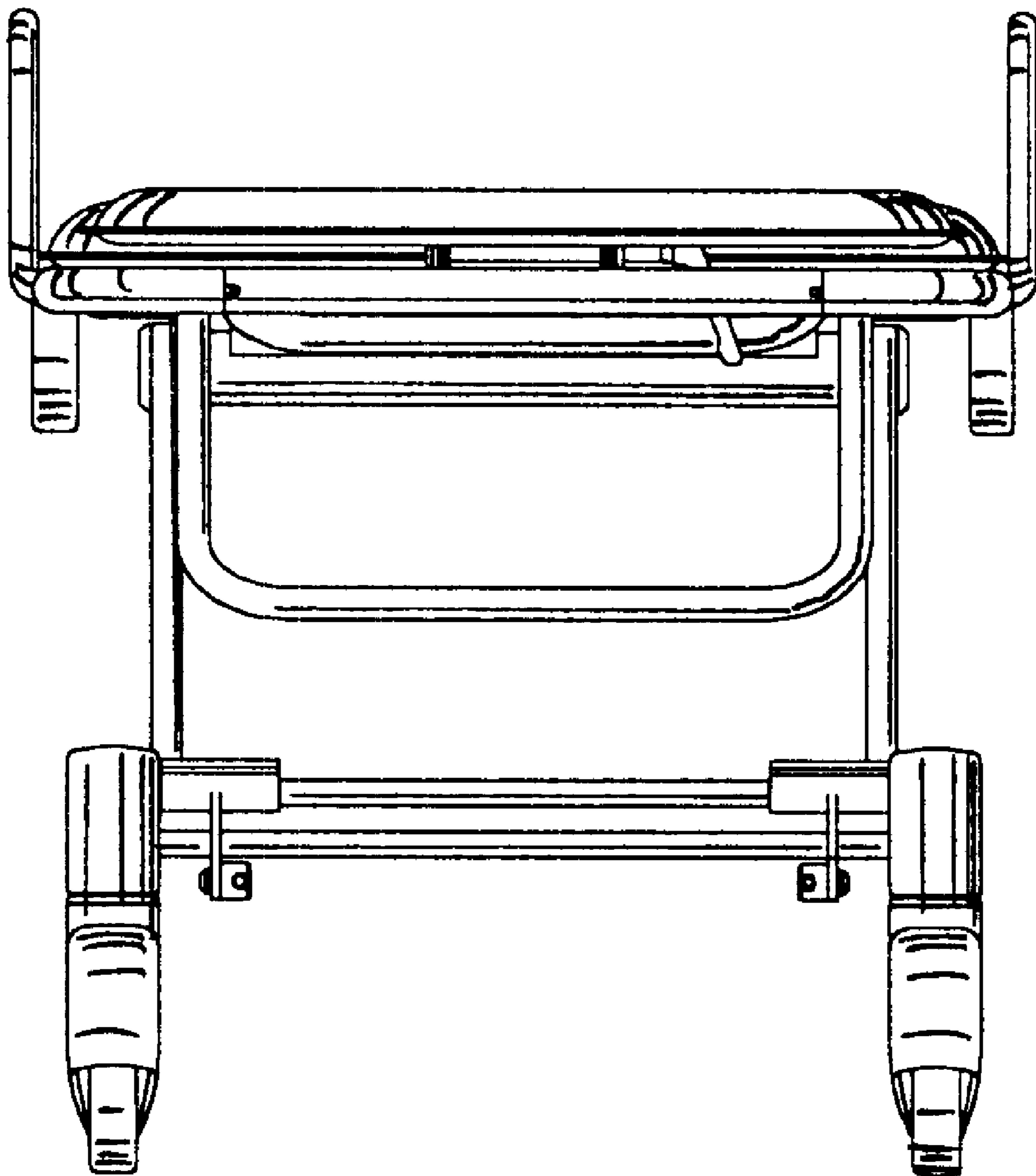


FIG. 43

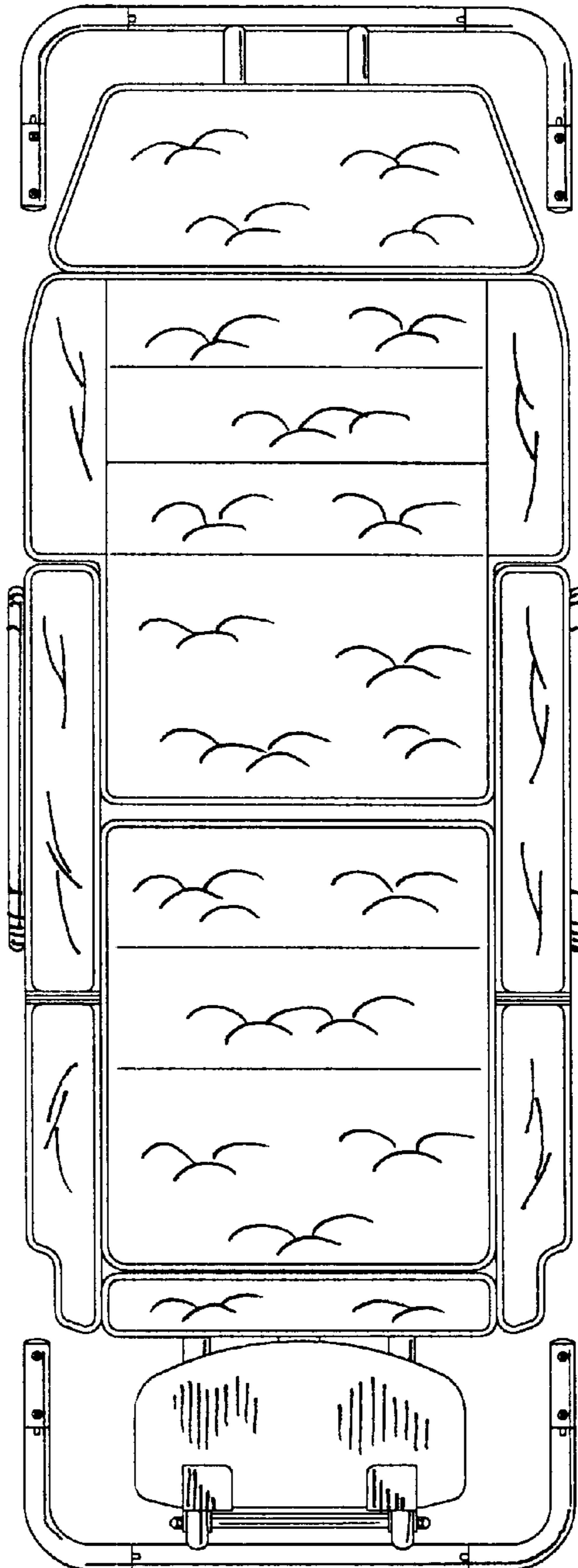


FIG. 44

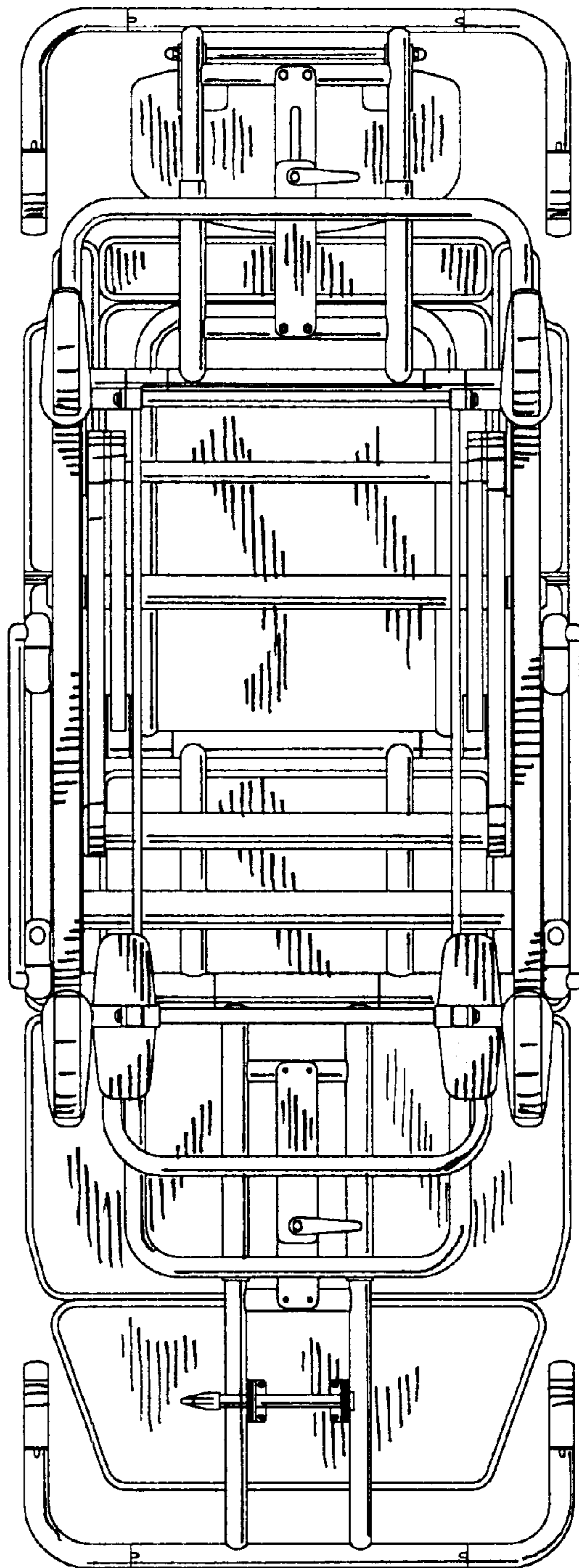


FIG. 45

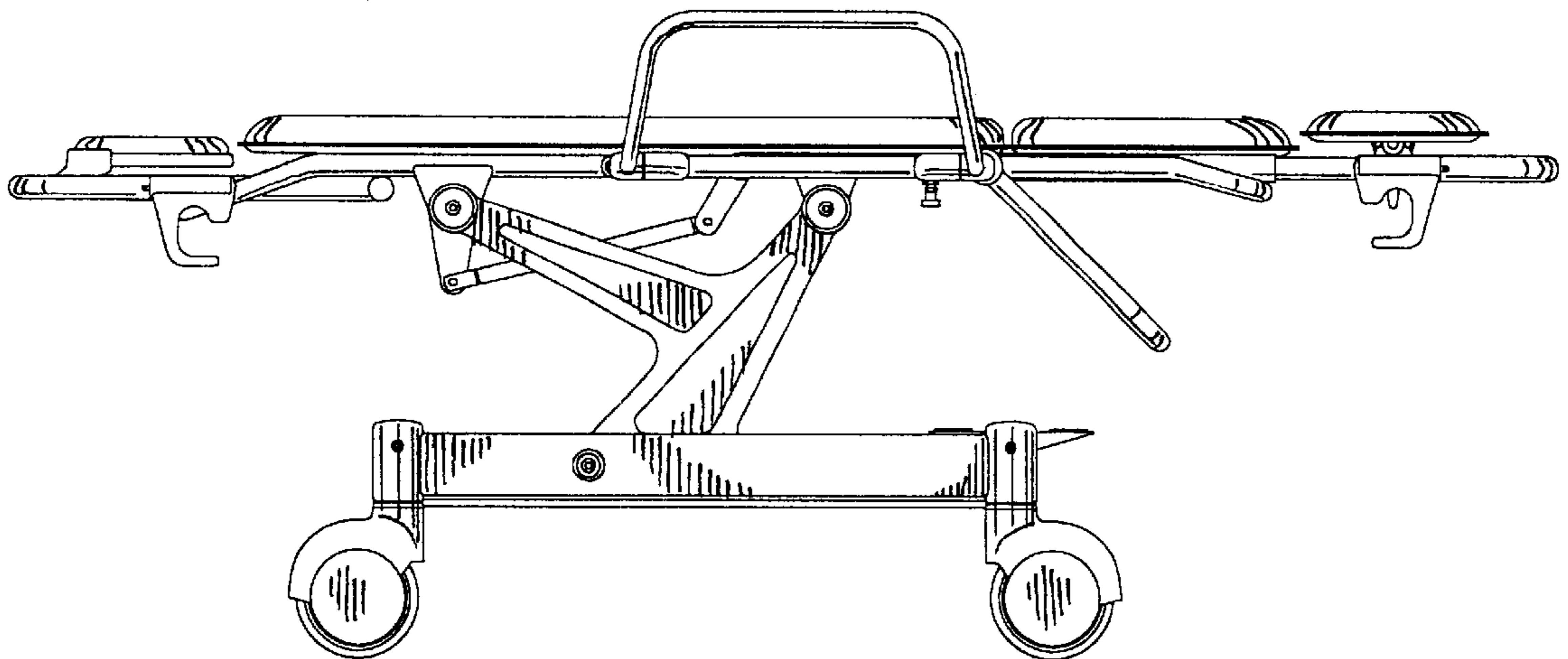


FIG. 46

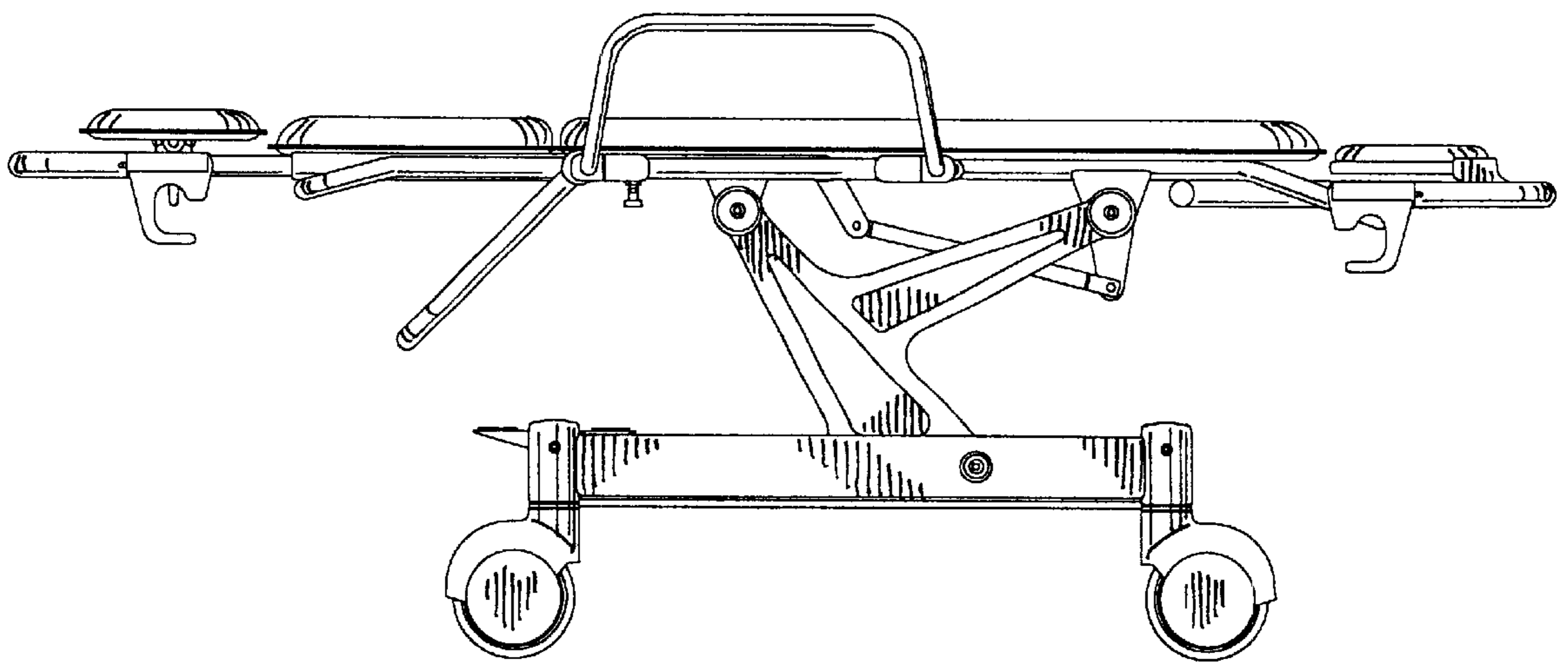


FIG. 47

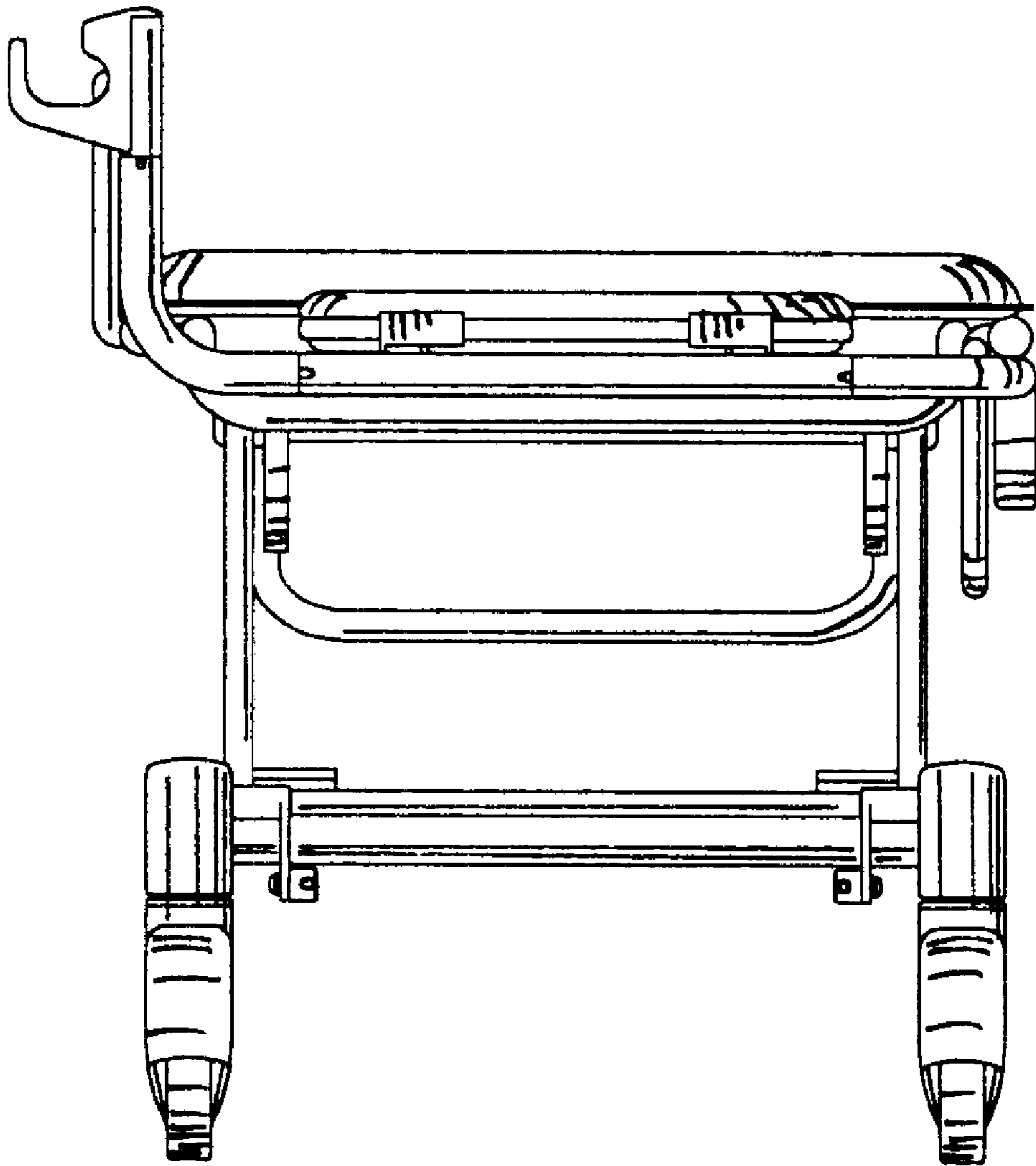




FIG. 48

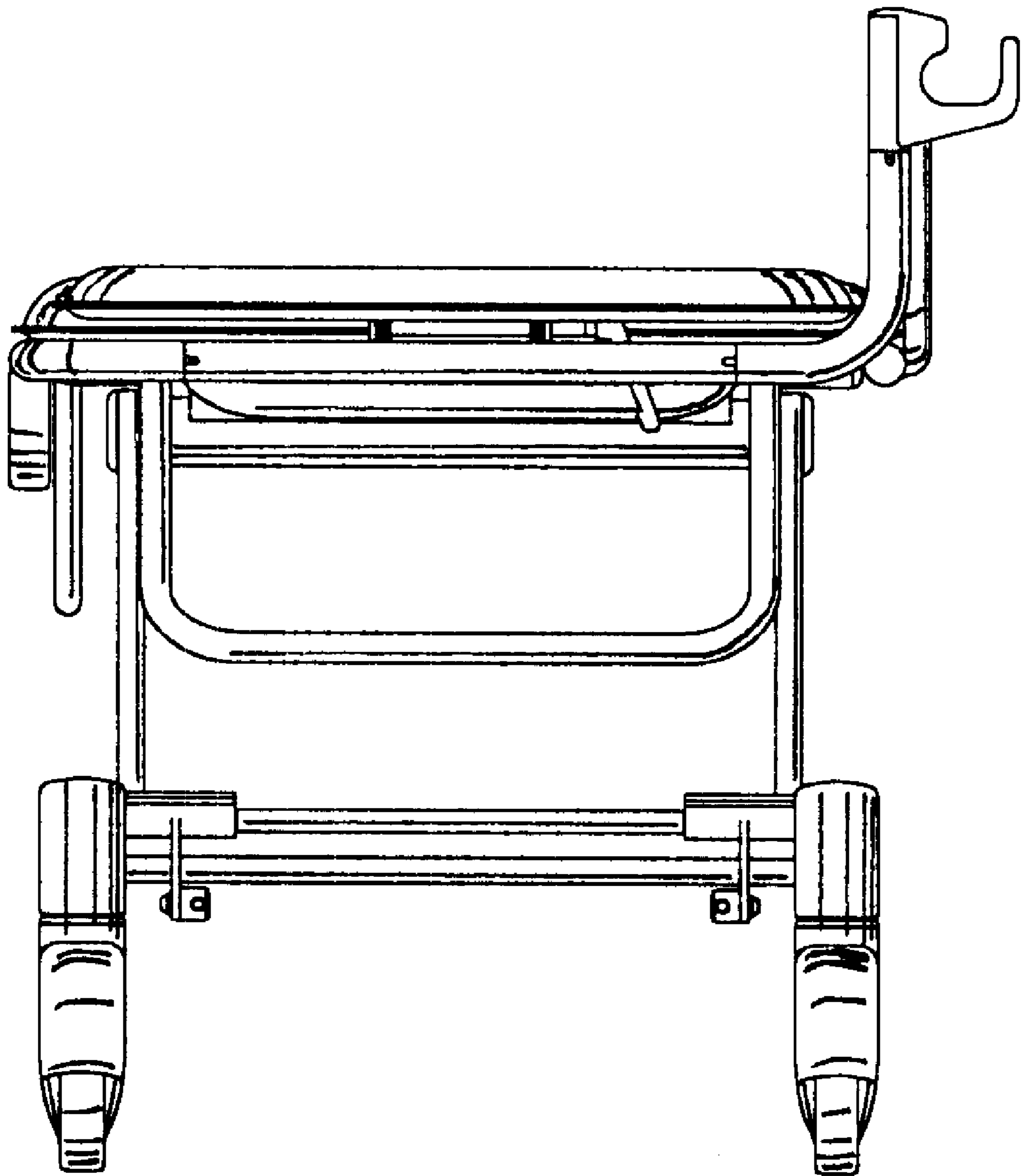


FIG. 49

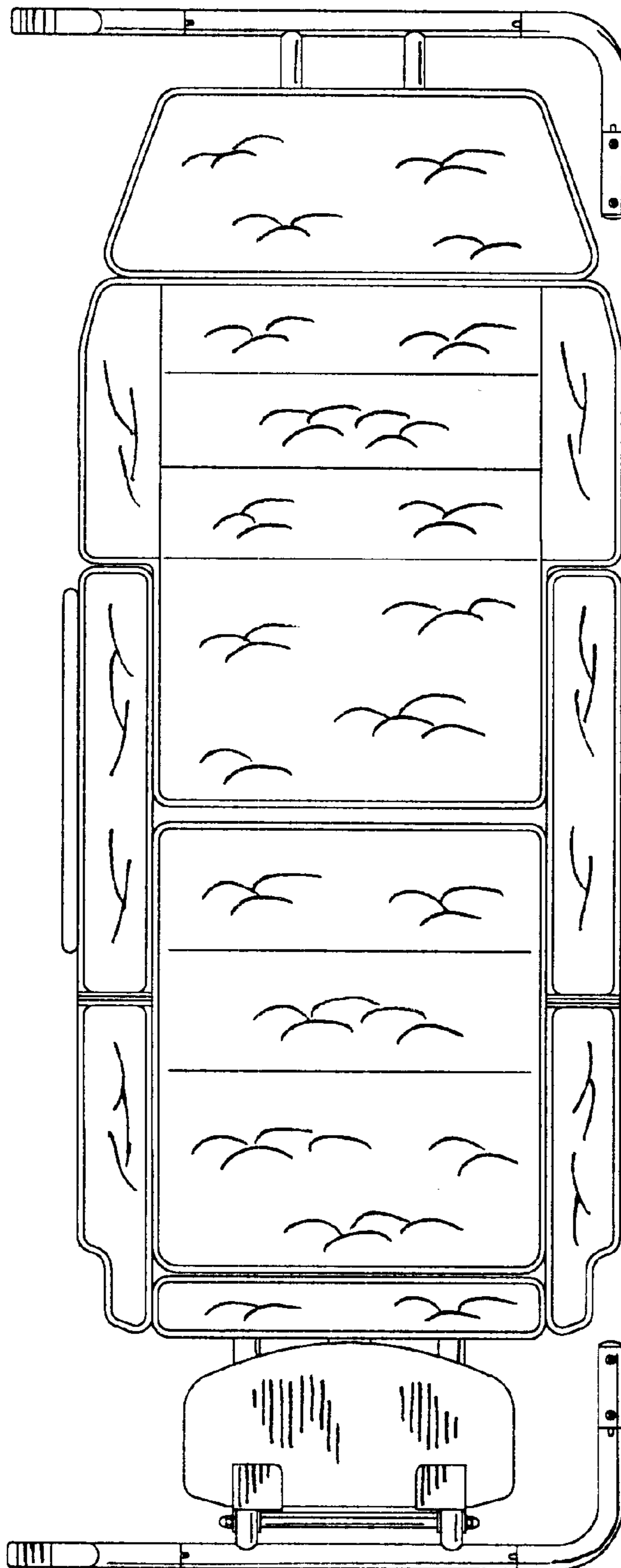


FIG. 50

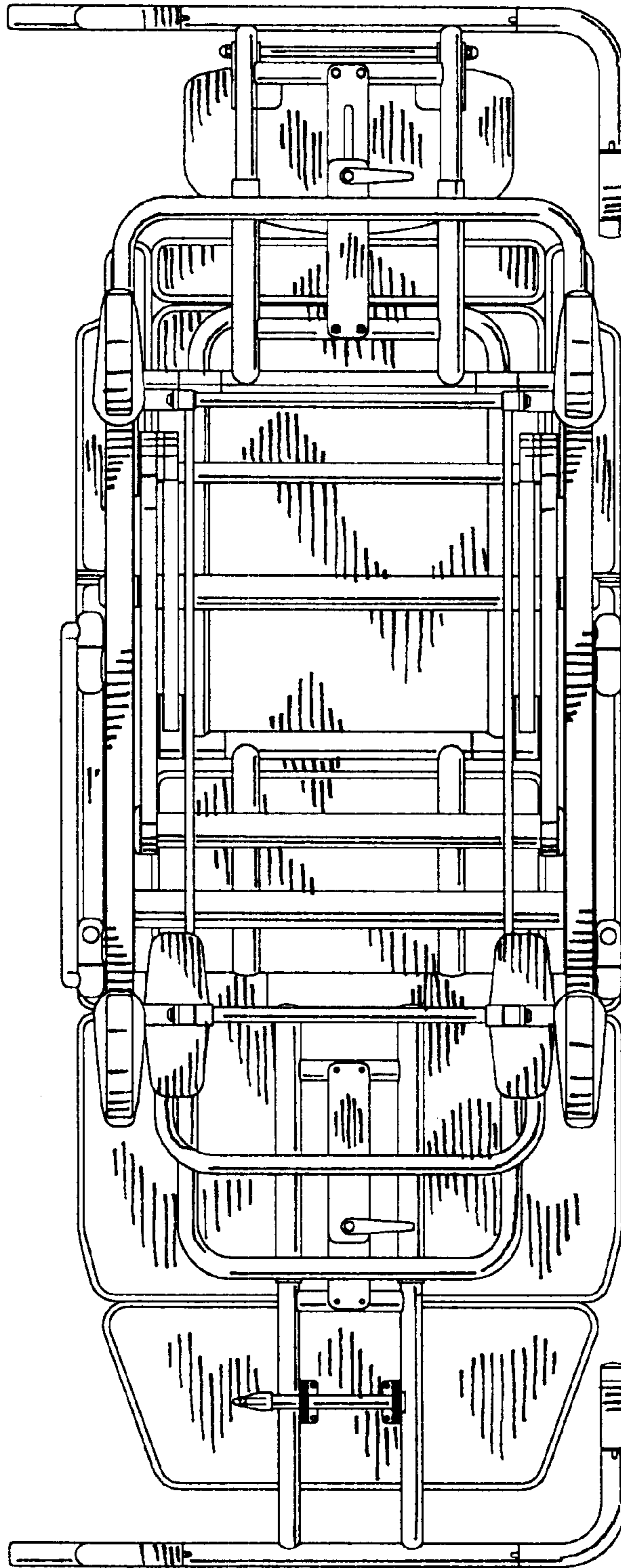


FIG. 51

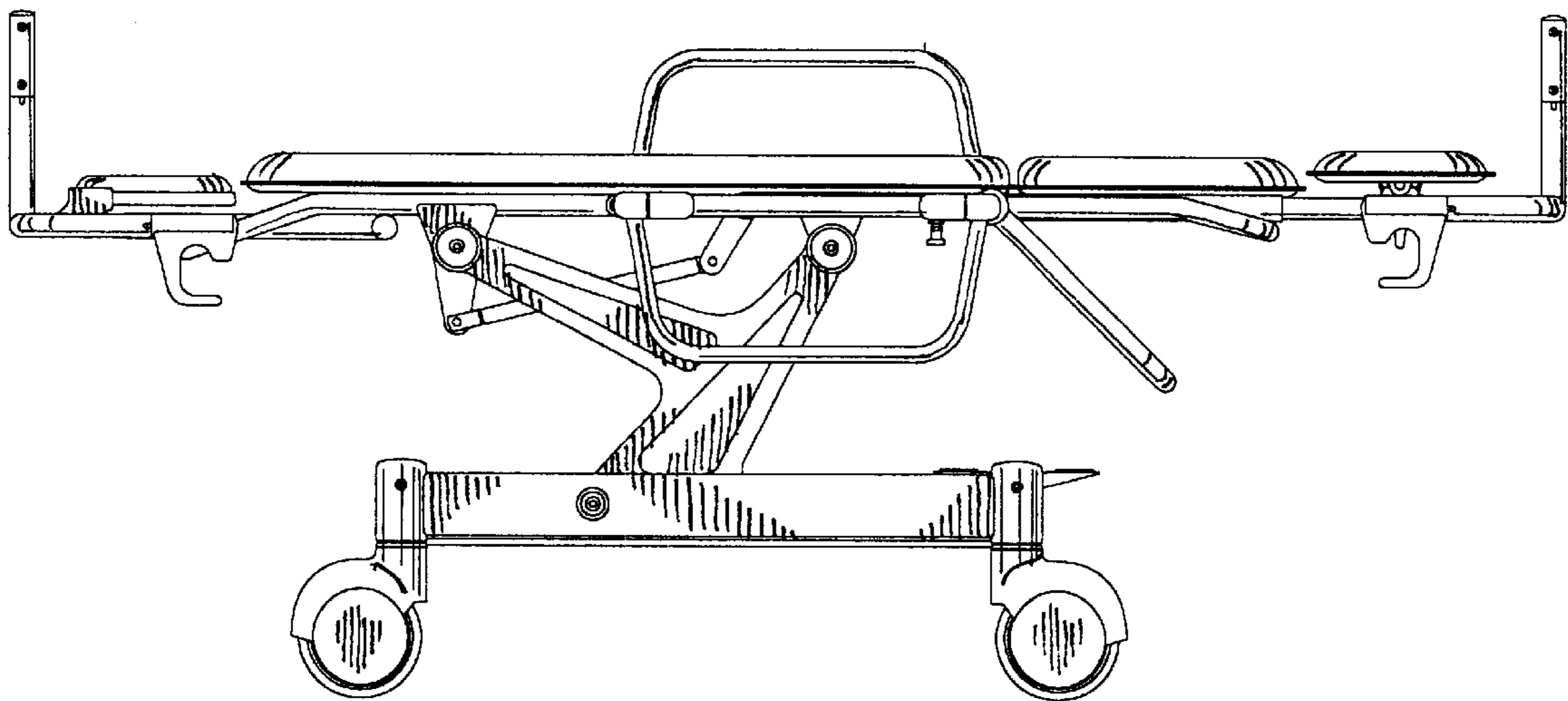


FIG. 52

